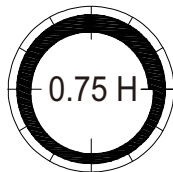
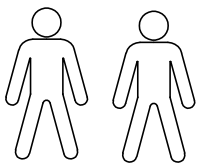
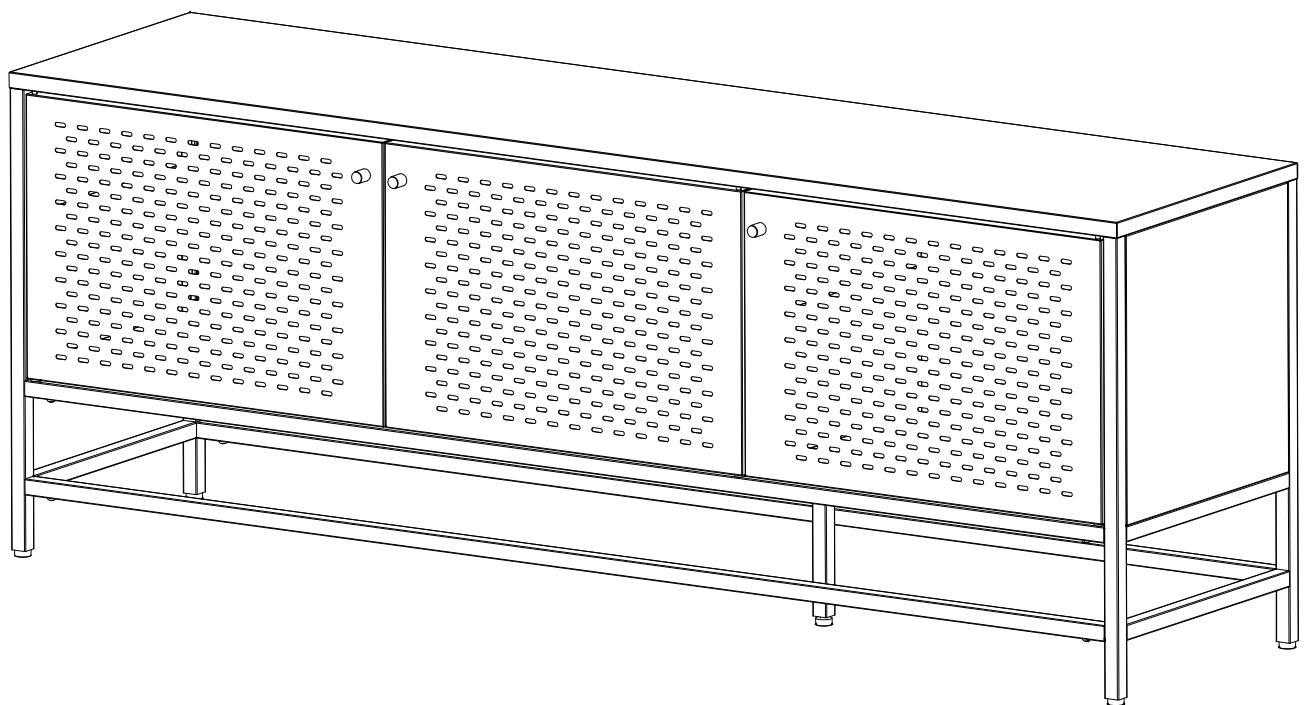
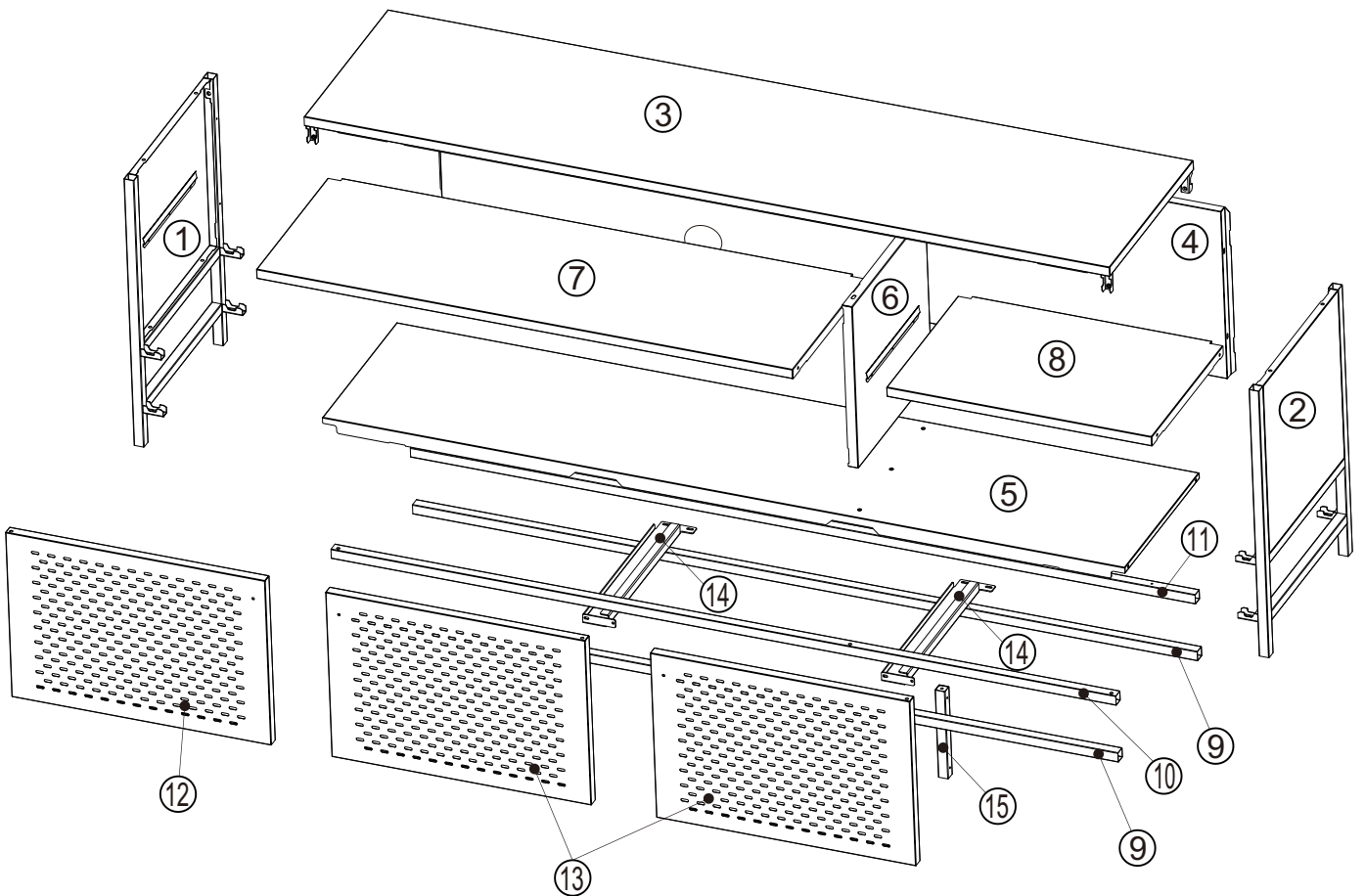


Newcastle - Sideboard

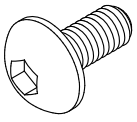


| | | | |
|---|---|--------------------|---|
| | | | ✓ |
| ① | 1 | 572 x 400 x 60 | |
| ② | 1 | 572 x 400 x 60 | |
| ③ | 1 | 1603x 403 x 60 | |
| ④ | 1 | 1578 x 368 x 18 | |
| ⑤ | 1 | 1595 x 356 x 28 | |
| ⑥ | 1 | 352 x 346.5 x 24.5 | |
| ⑦ | 1 | 1066 x 350 x 20 | |
| ⑧ | 1 | 527 x 350 x 20 | |

| | | | |
|---|---|-----------------|---|
| | | | ✓ |
| ⑨ | 2 | 1560 x 20 x 20 | |
| ⑩ | 1 | 1560 x 20 x 20 | |
| ⑪ | 1 | 1560 x 20 x 20 | |
| ⑫ | 1 | 516 x 353 x 20 | |
| ⑬ | 2 | 516 x 353 x 20 | |
| ⑭ | 2 | 378 x 74 x 20.6 | |
| ⑮ | 1 | 187 x 20 x 20 | |

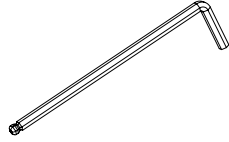


A x 17



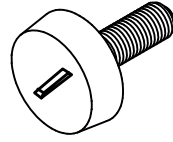
M6x12 mm

B x 1



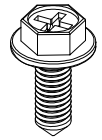
4 mm

C x 5



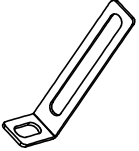
M8/Ø20mm

D x 16



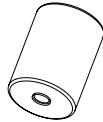
M4x12mm

E x 2



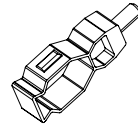
75x25x15mm

F x 3



Ø15x20mm

G x 3



Ø6x58mm

H x 3



Ø13.5/M3.5mm

J x 8



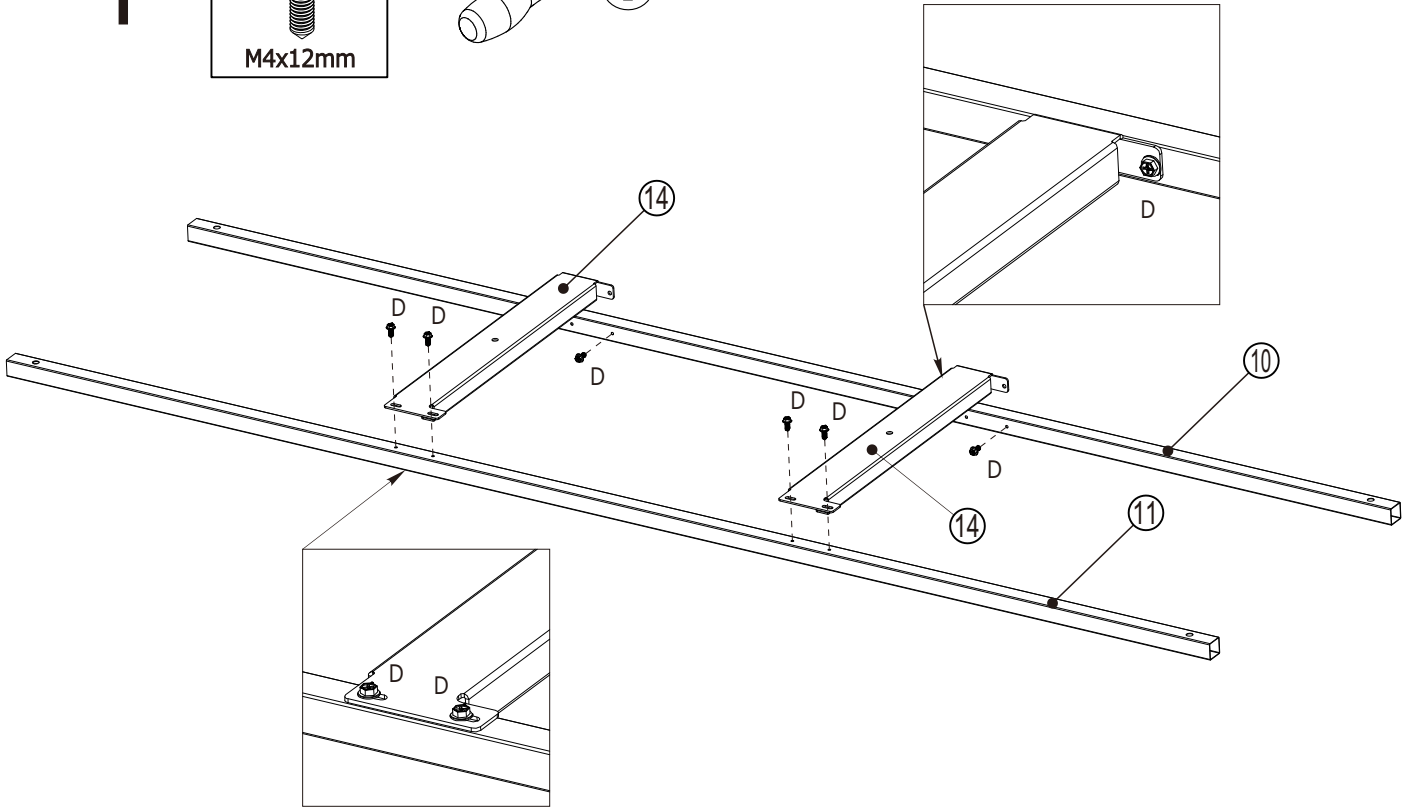
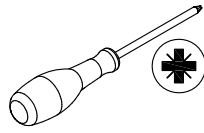
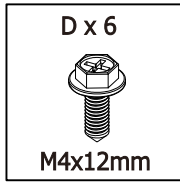
M4x8mm

K x 3

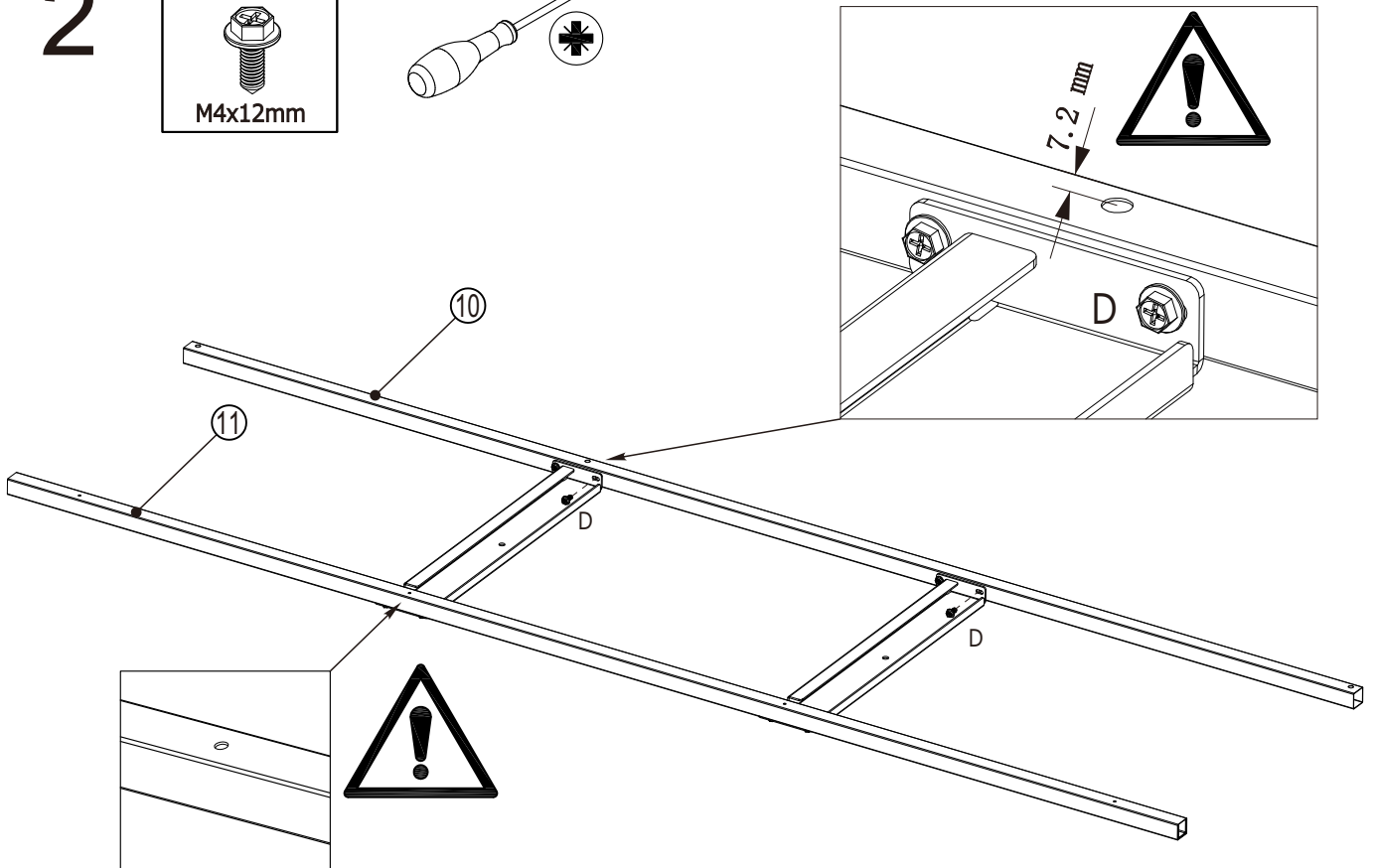
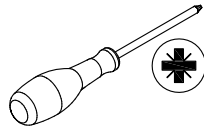
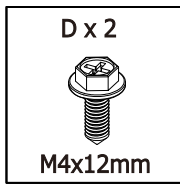


Ø6x20mm

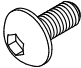

1

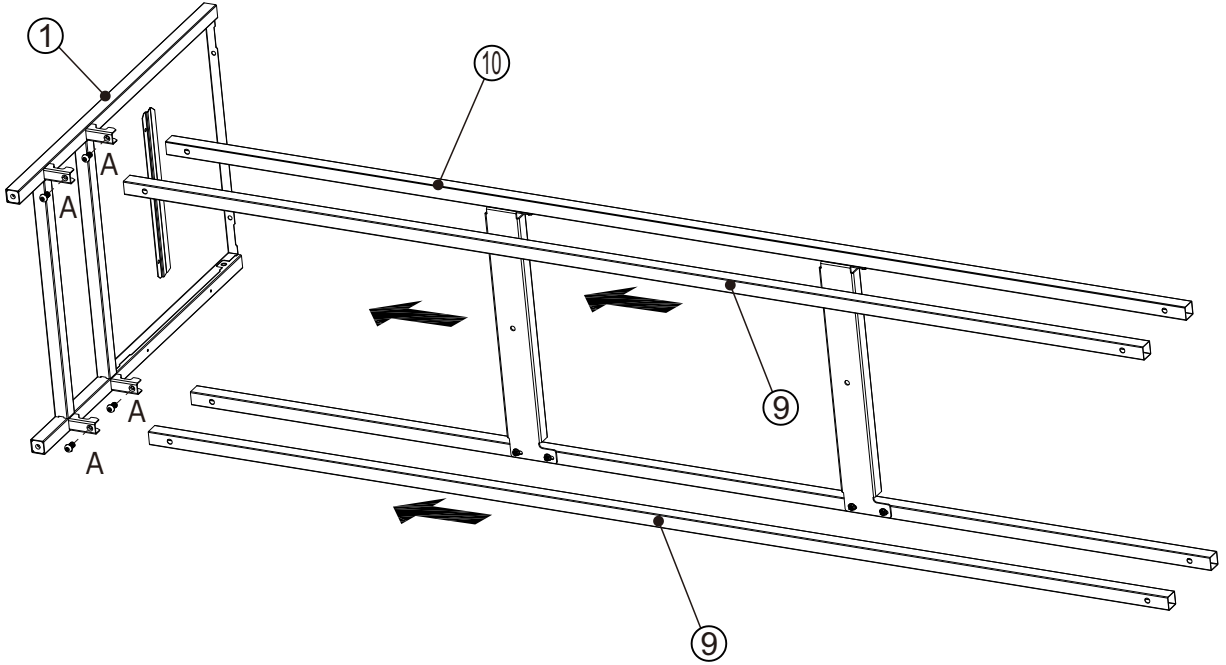


2





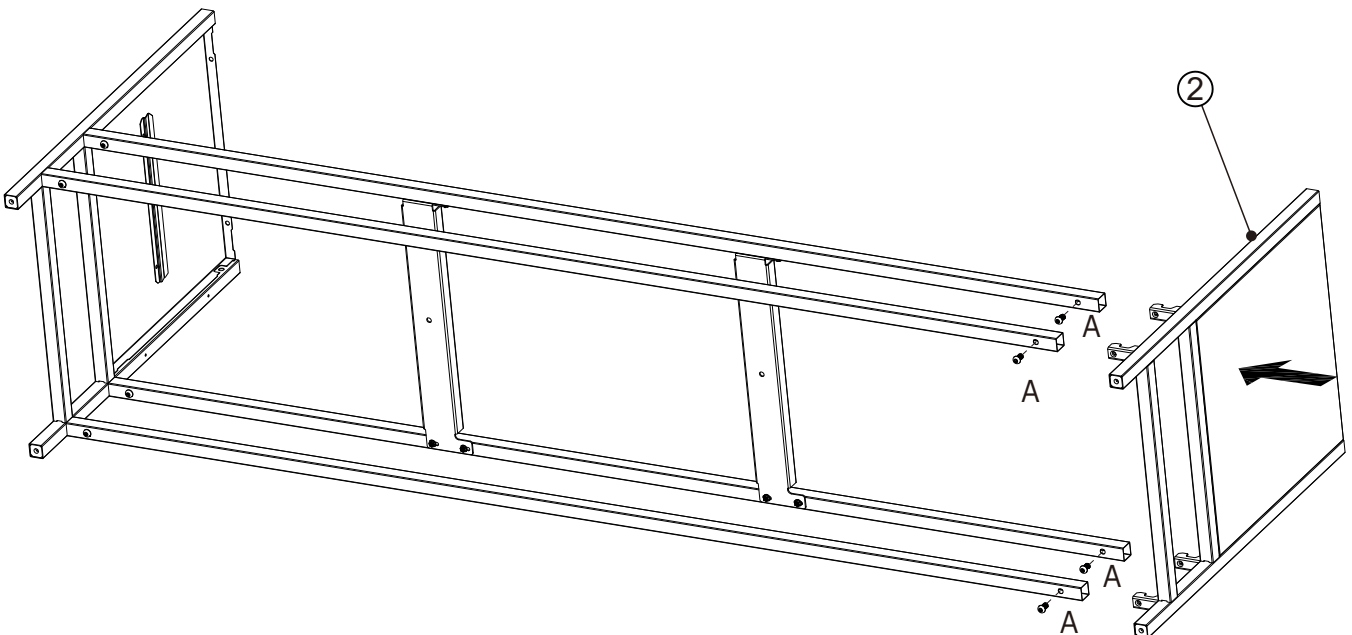
3

| | |
|---|---|
| A x 4 | B x 1 |
|  |  |
| M6x12 mm | 4 mm |

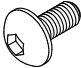



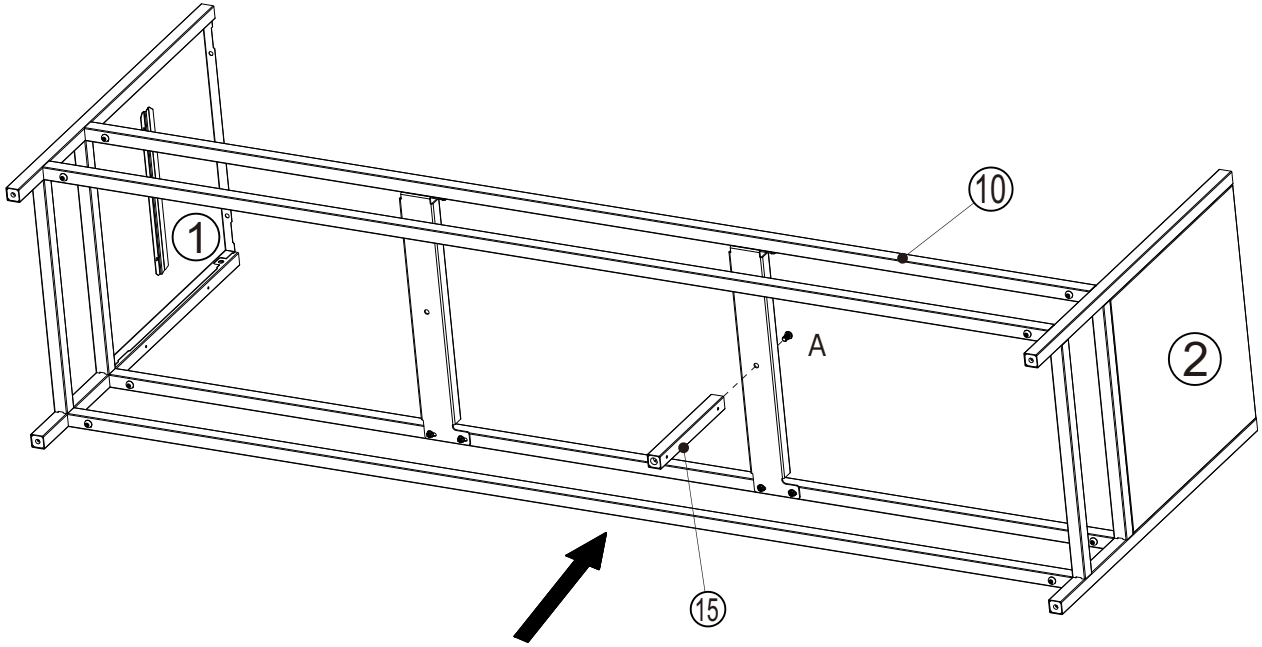
4

| | |
|---|---|
| A x 4 | B x 1 |
|  |  |
| M6x12 mm | 4 mm |

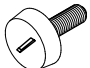


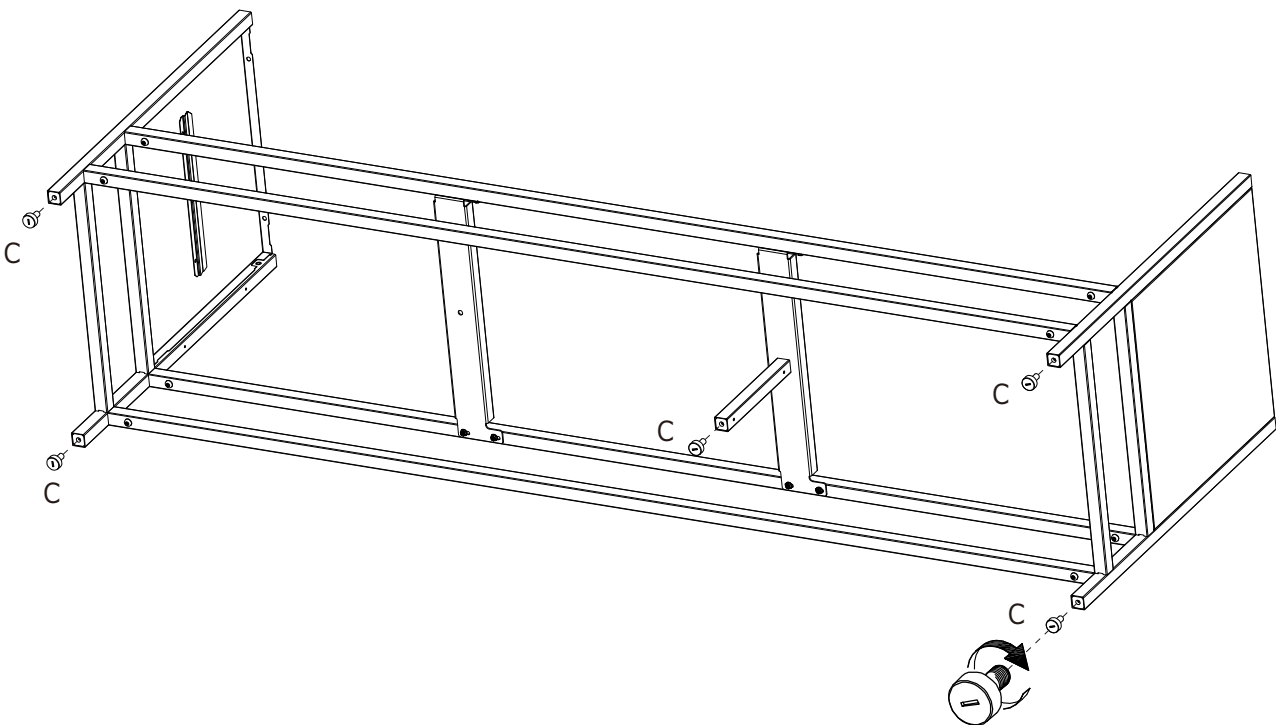
5

| | |
|---|---|
| A x 1 | B x 1 |
|  |  |
| M6x12 mm | 4 mm |

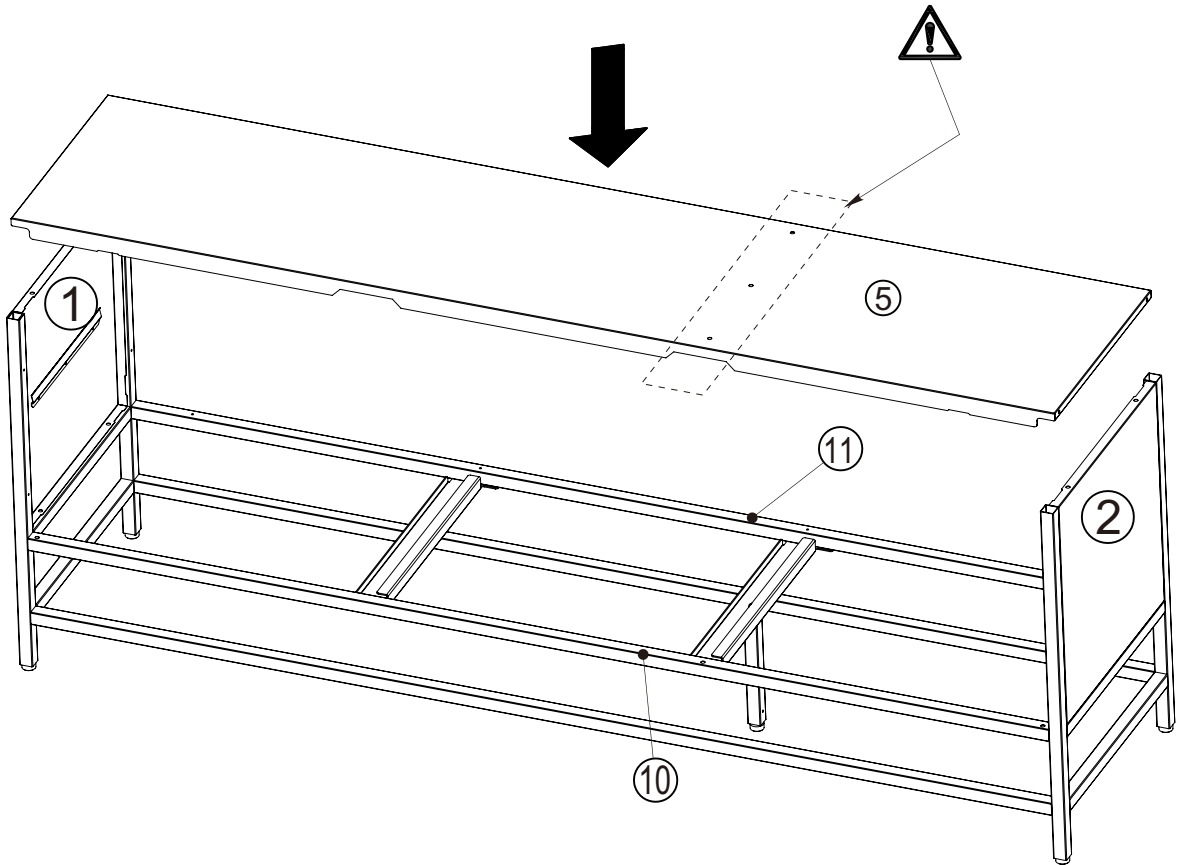


6

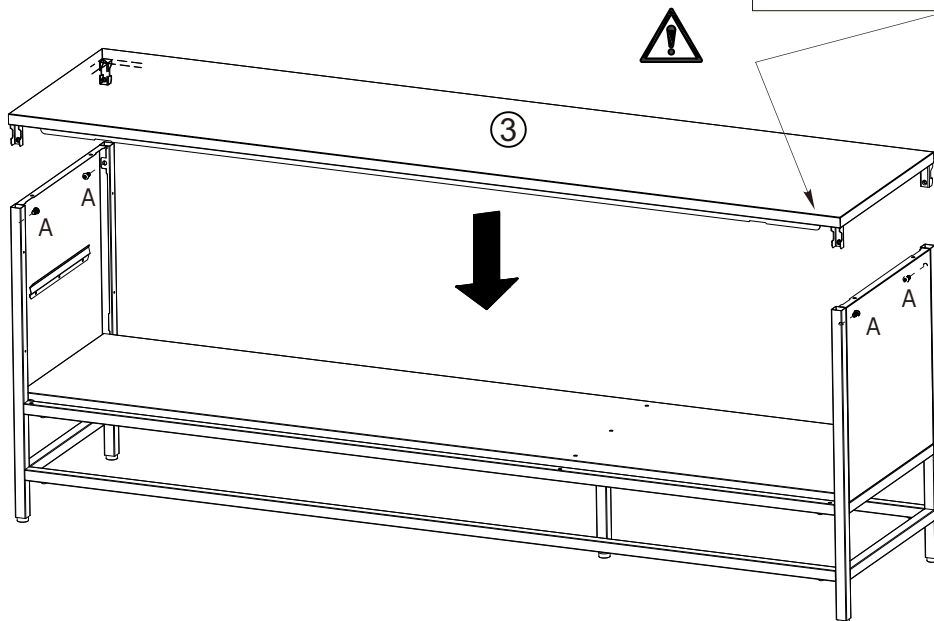
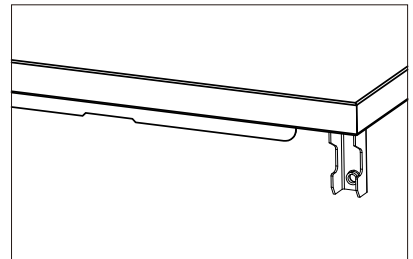
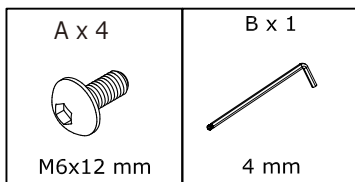
| |
|---|
| C x 5 |
|  |
| M8/Ø20mm |



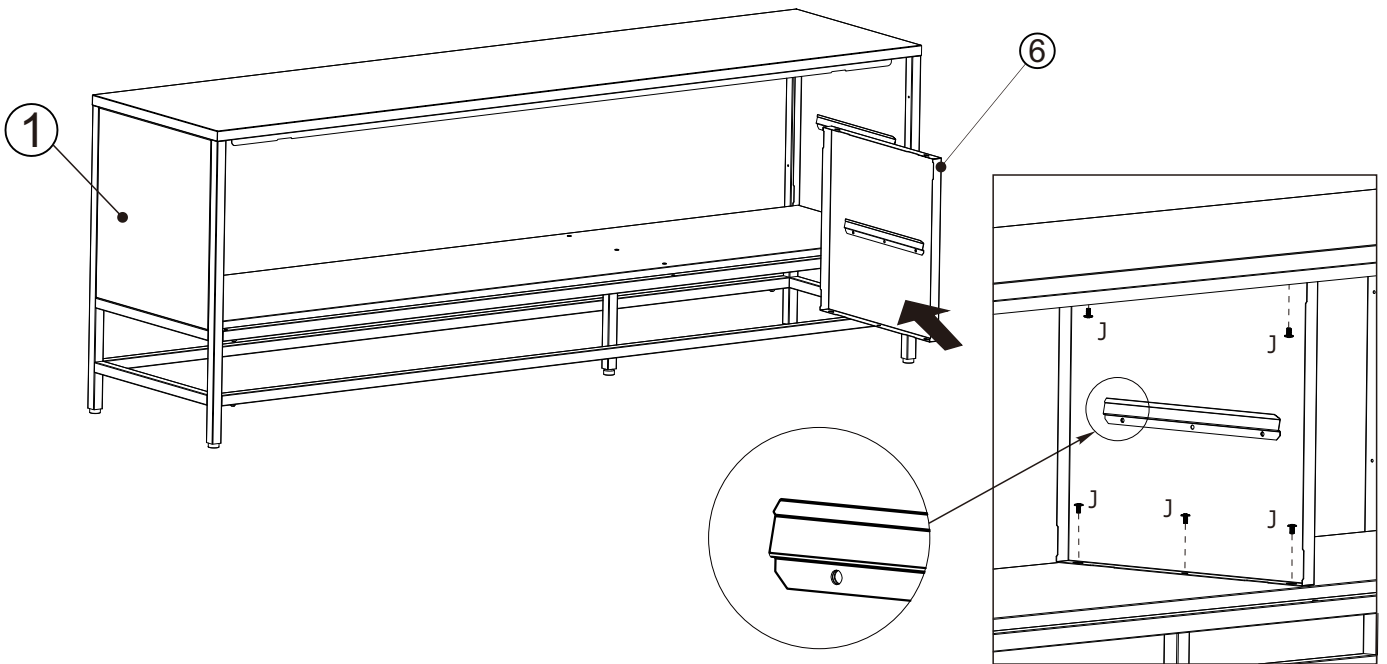
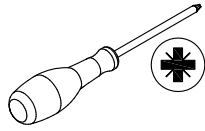
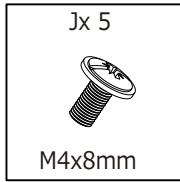
7



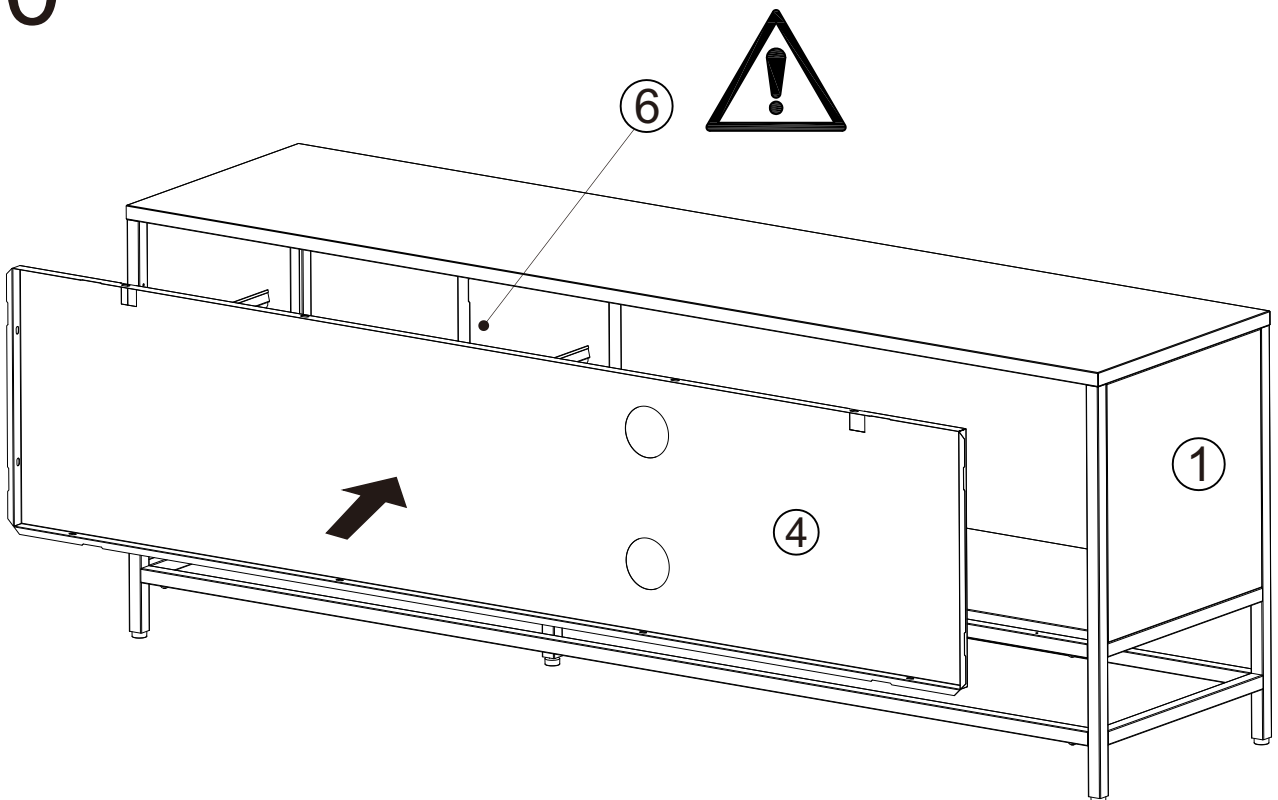
8



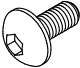

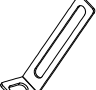

9

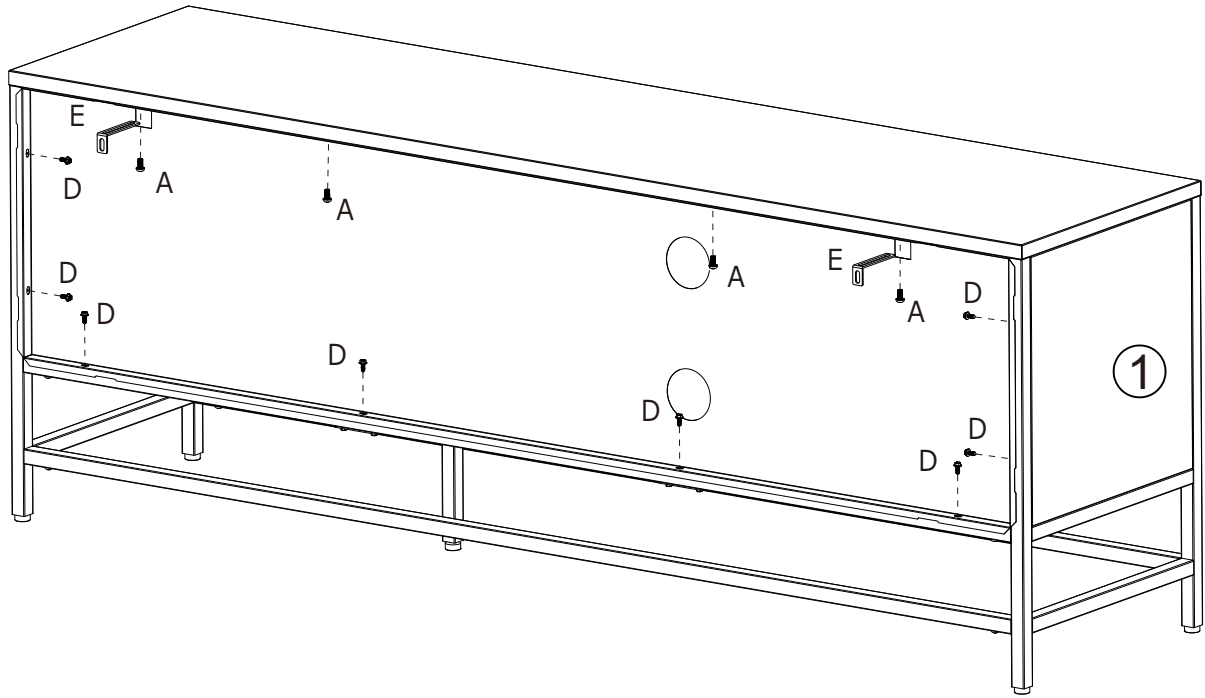
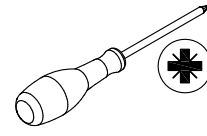


10

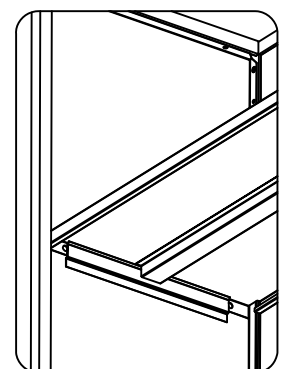
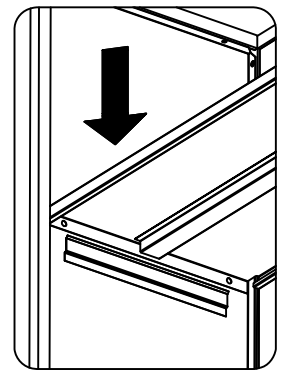
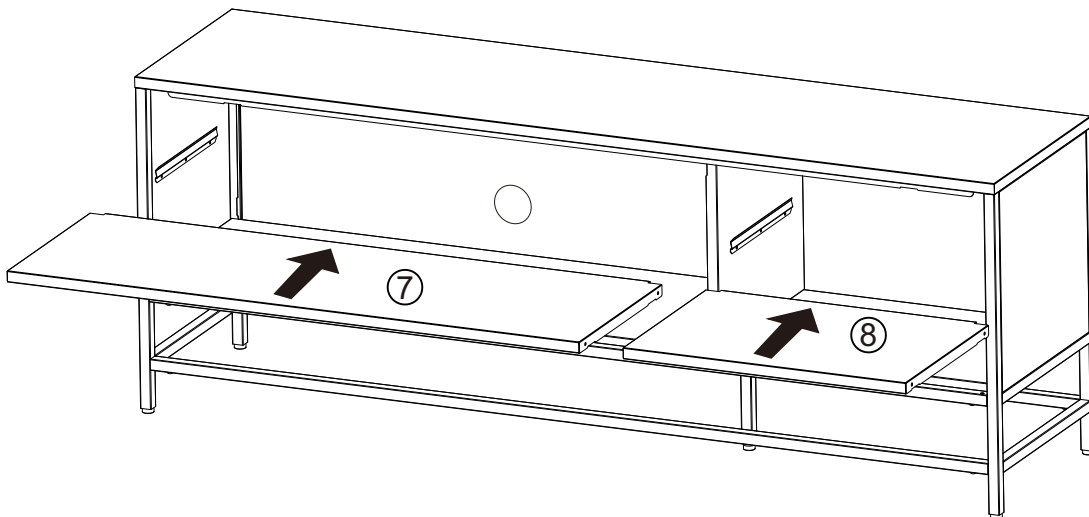


11





| | | | |
|--|--|--|---|
| A x 4  M6x12 mm | B x 1  4 mm | E x 2  75x25x15mm | D x 8  M4x12mm |
|--|--|--|---|

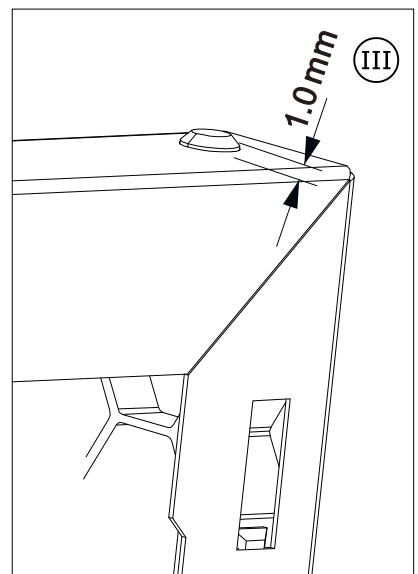
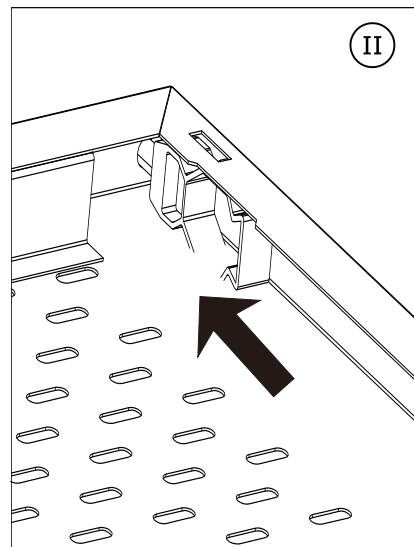
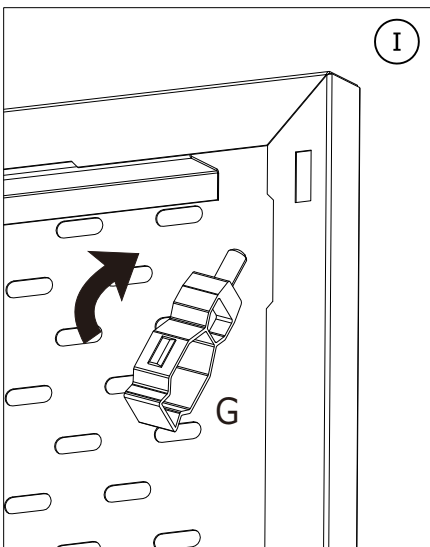
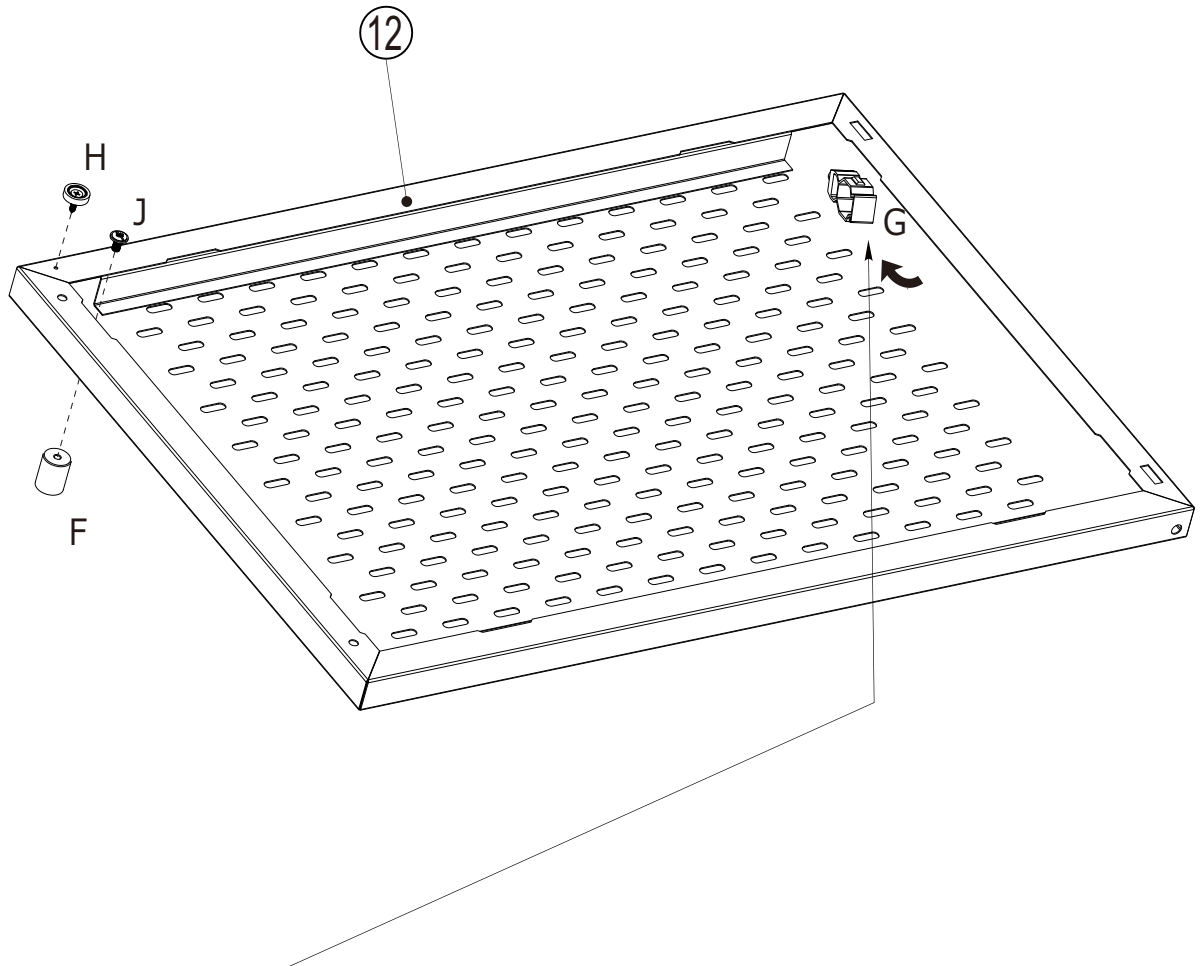
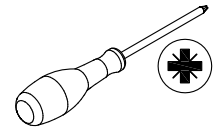


12

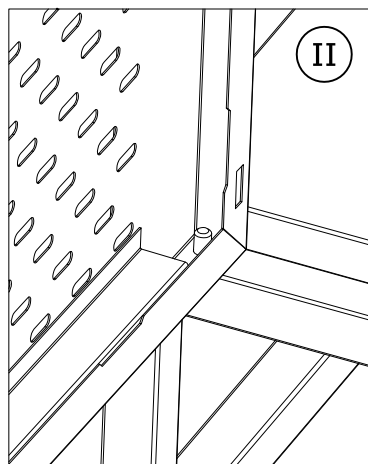
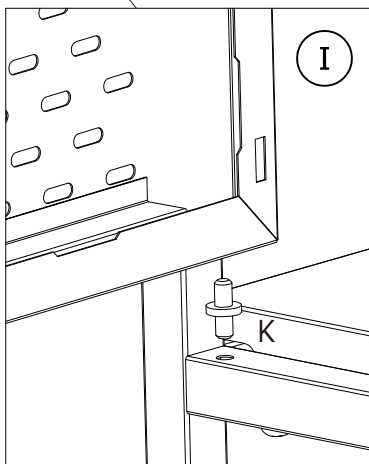
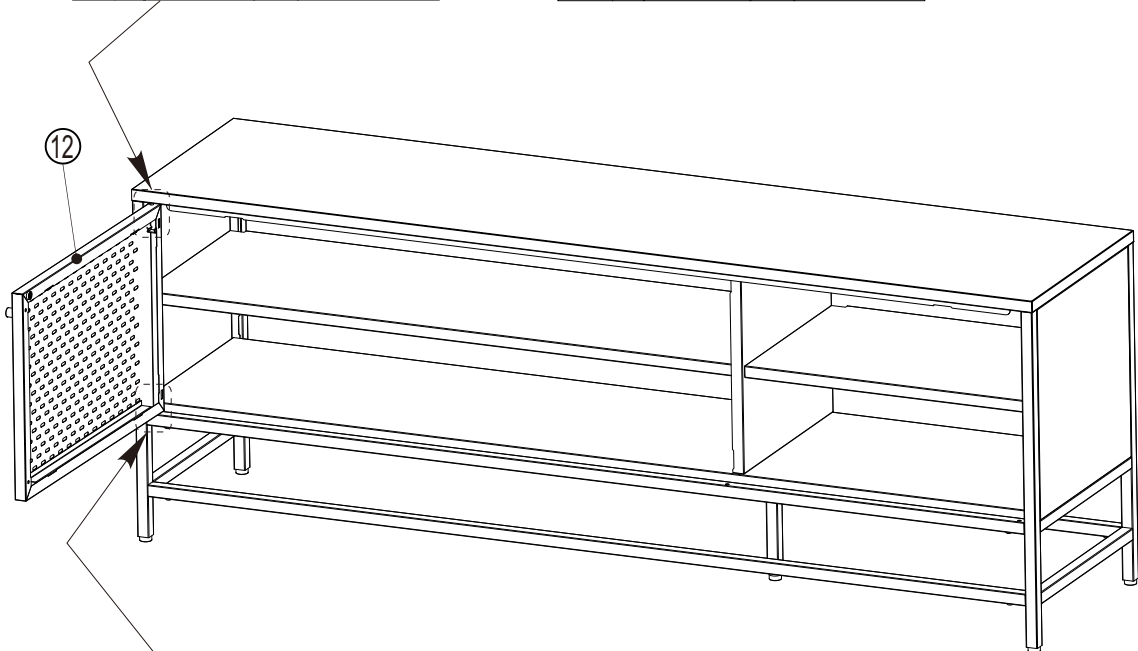
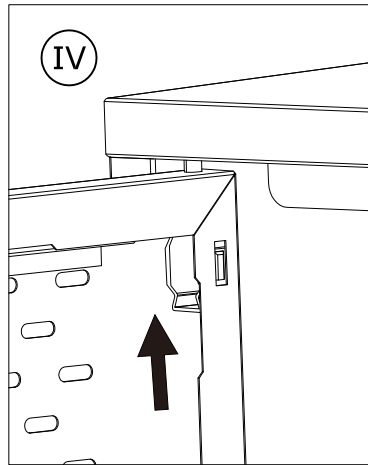
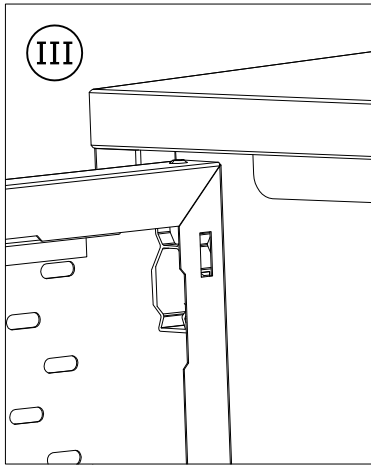
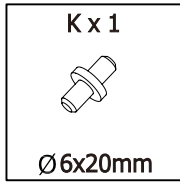


13





| | | | |
|--|--|---|--|
| H x 1  Ø 6x20mm | J x 1  M4x8mm | F x 1  Ø 15x20mm | G x 1  Ø 6x58mm |
|--|--|---|--|

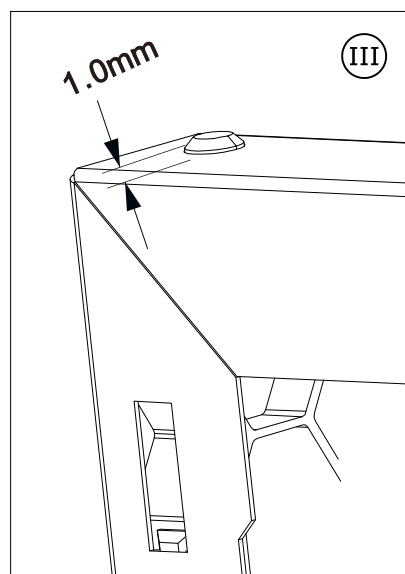
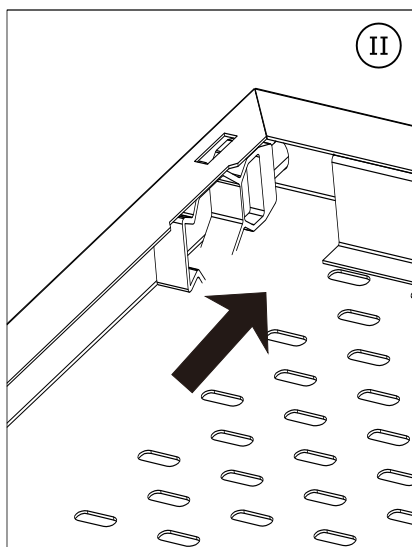
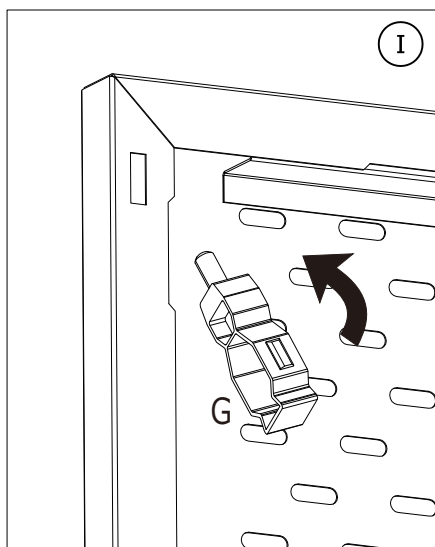
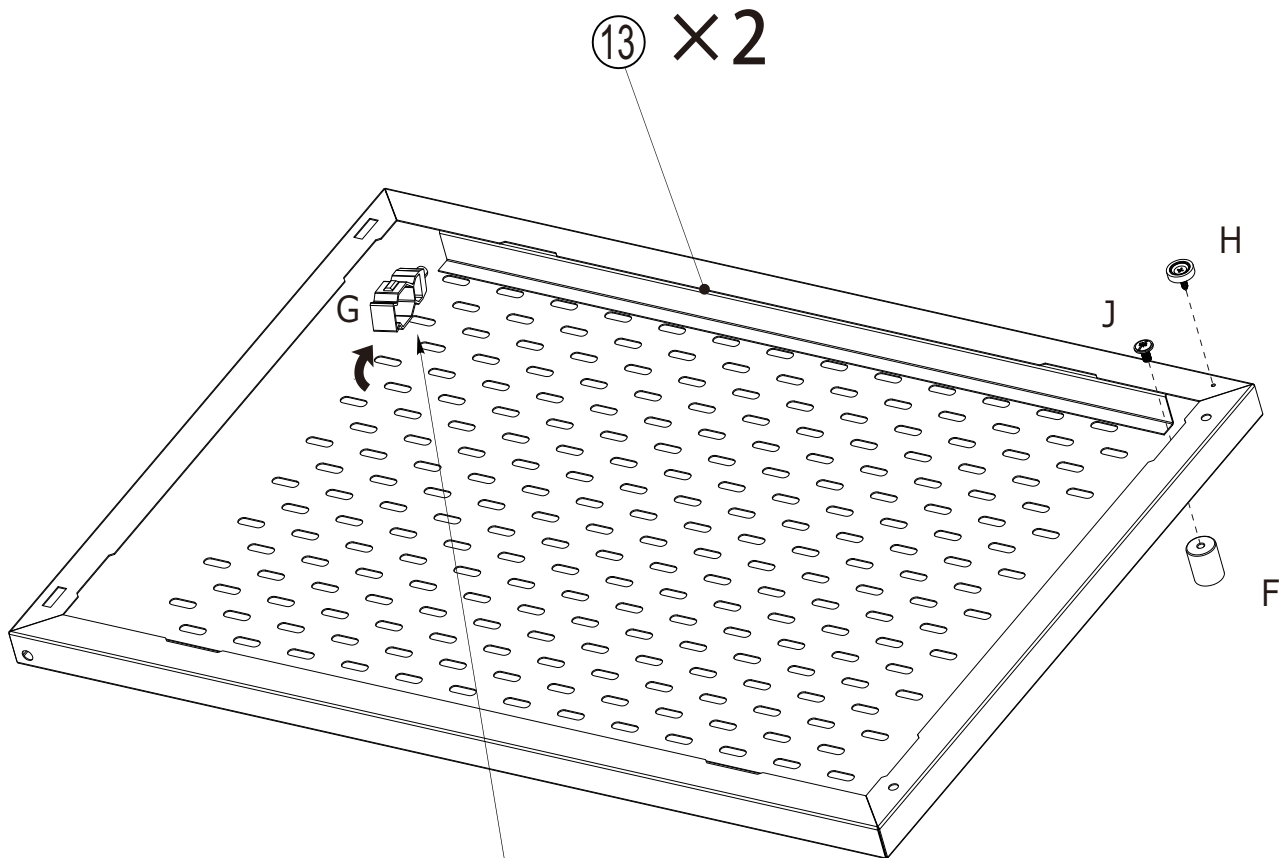
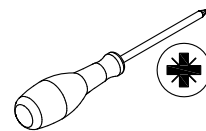


14

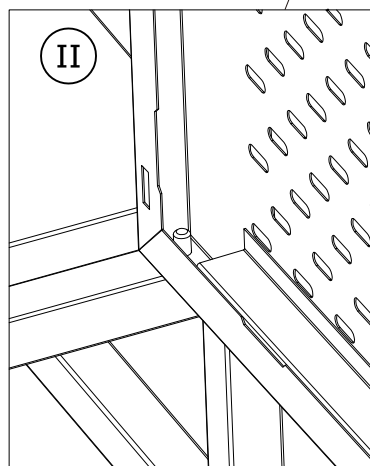
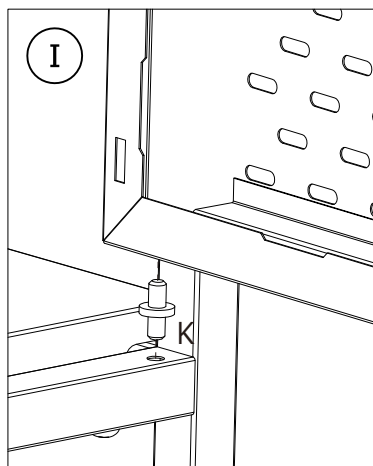
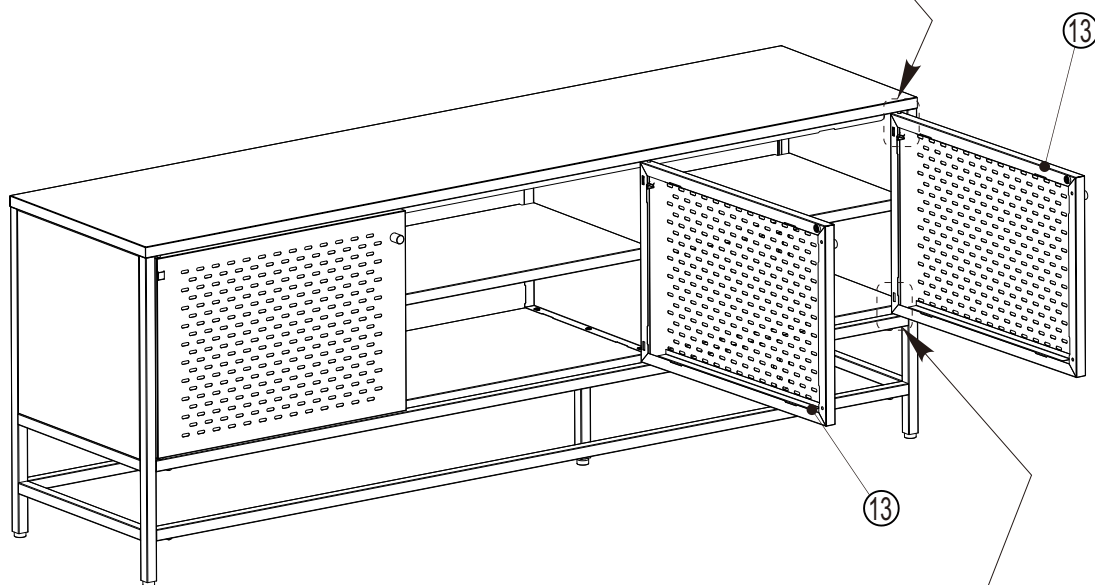
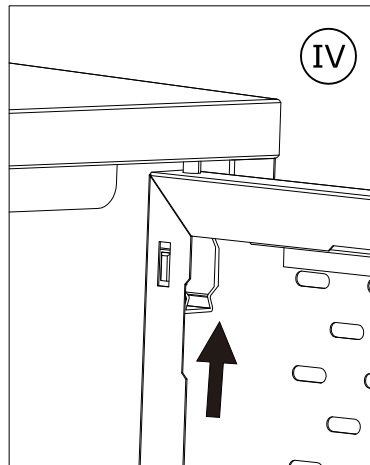
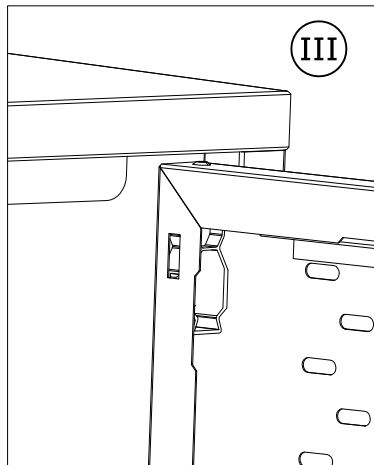
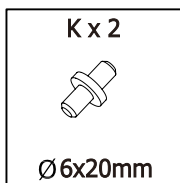


15

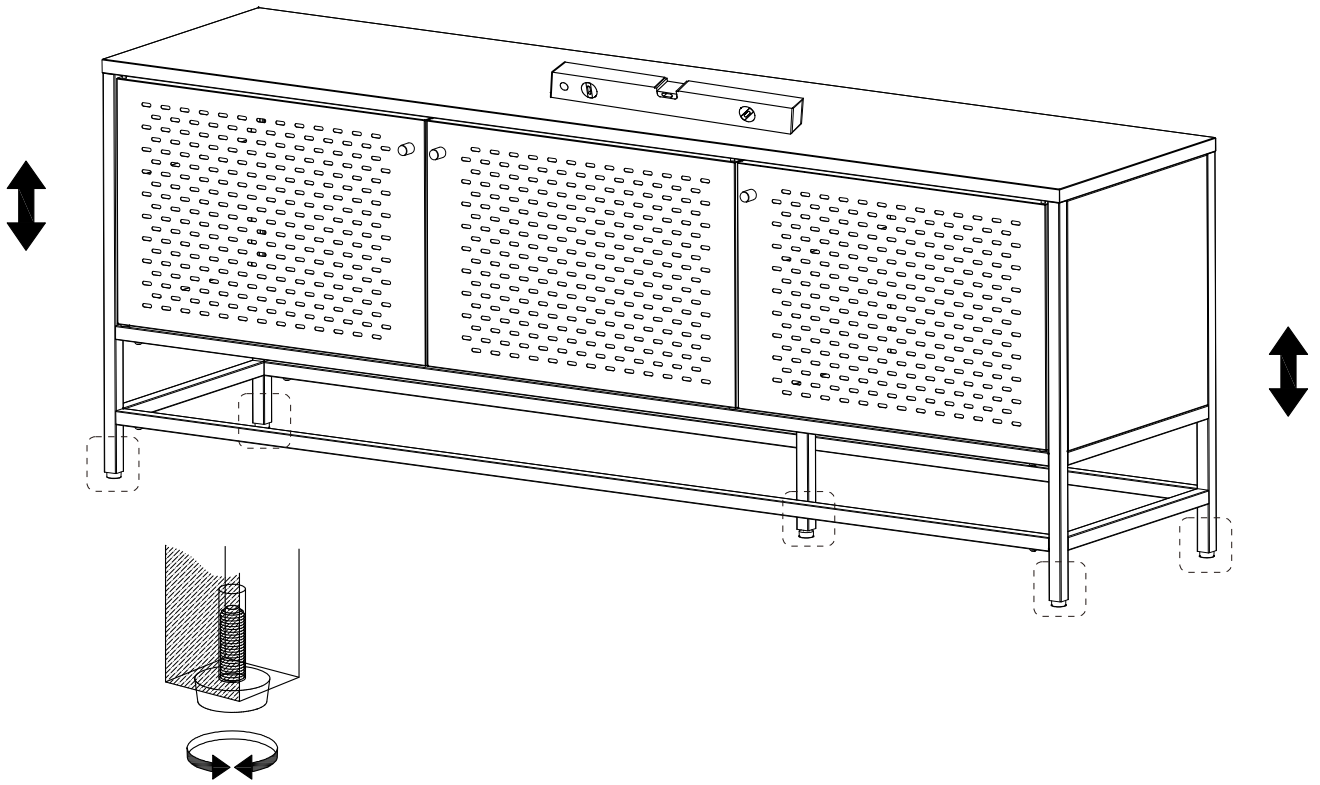
| | | | |
|---|--|--|---|
| H x 2  Ø6x20mm | J x 2  M4x8mm | F x 2  Ø15x20mm | G x 2  Ø6x58mm |
|---|--|--|---|



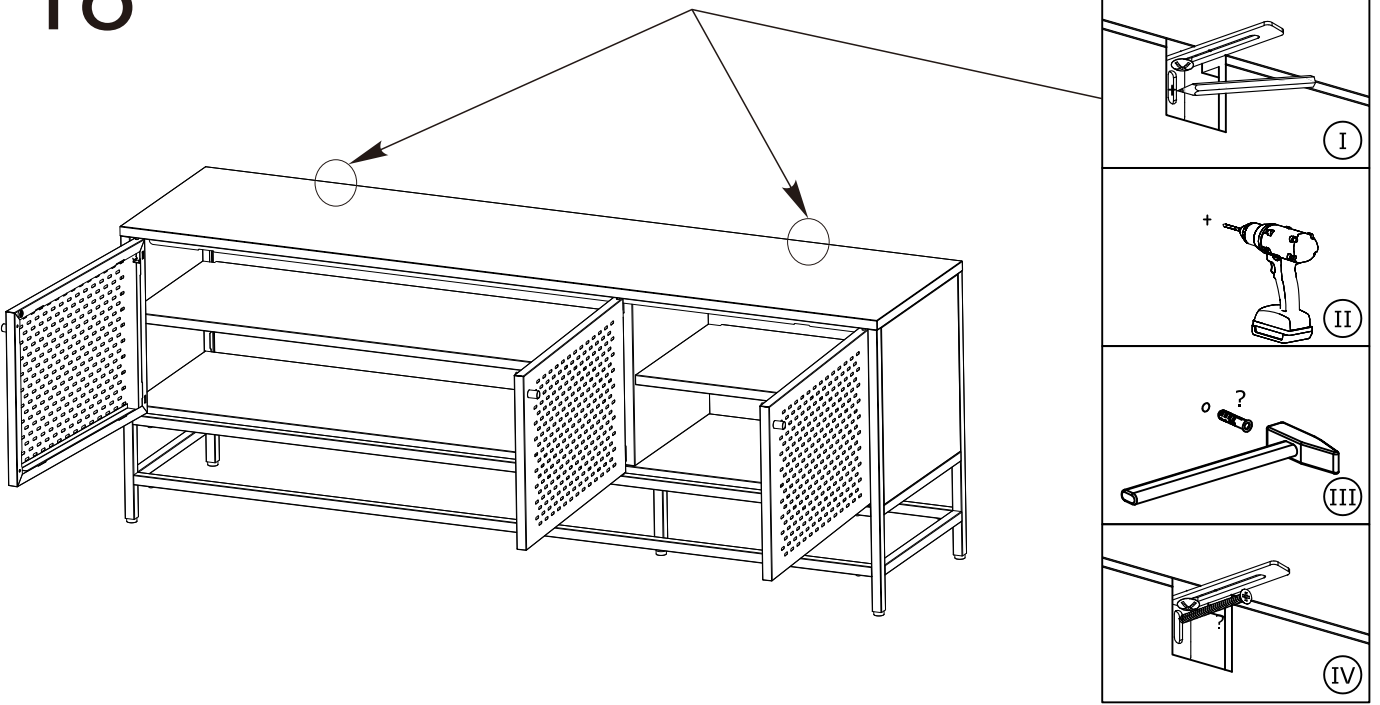
16



17



18



19

