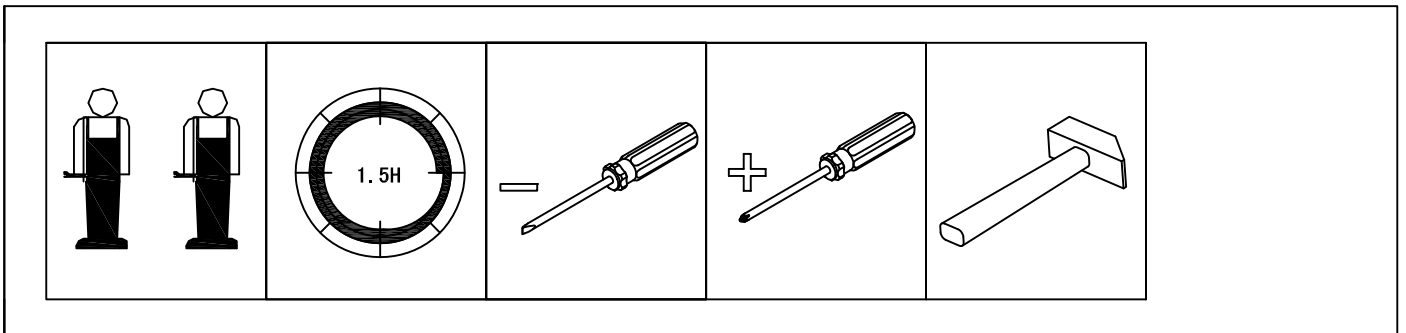
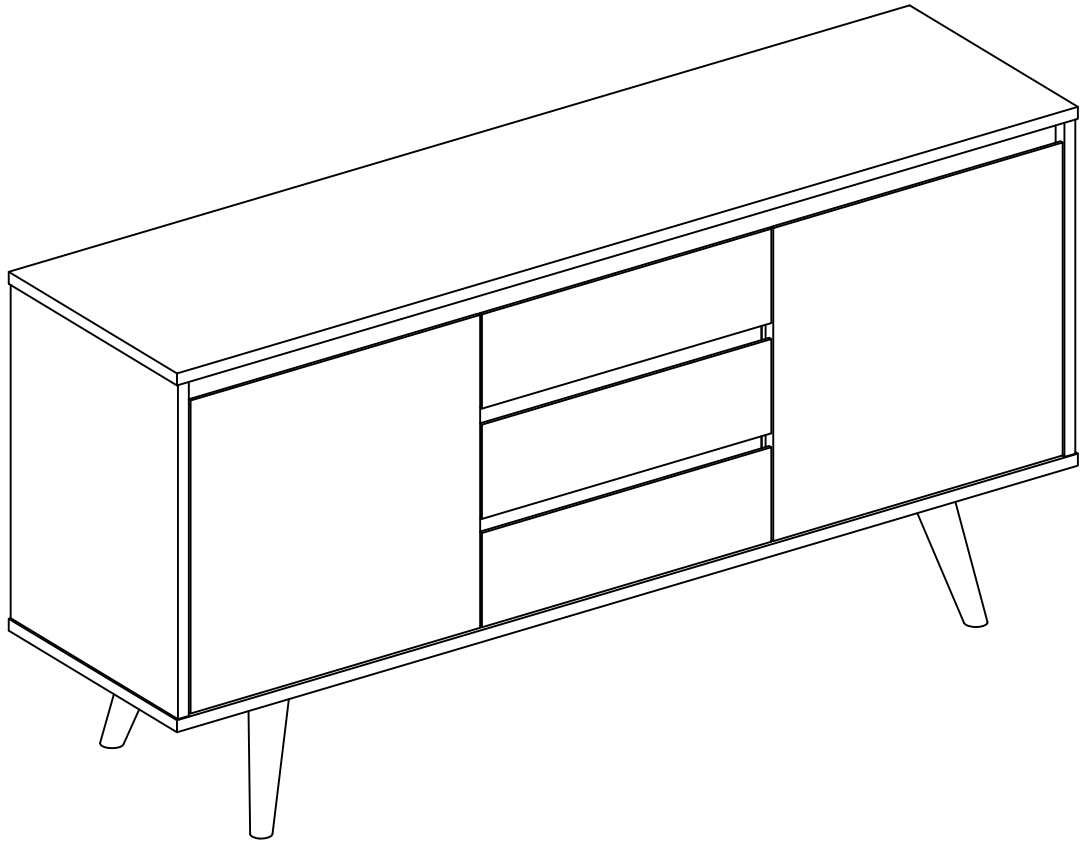
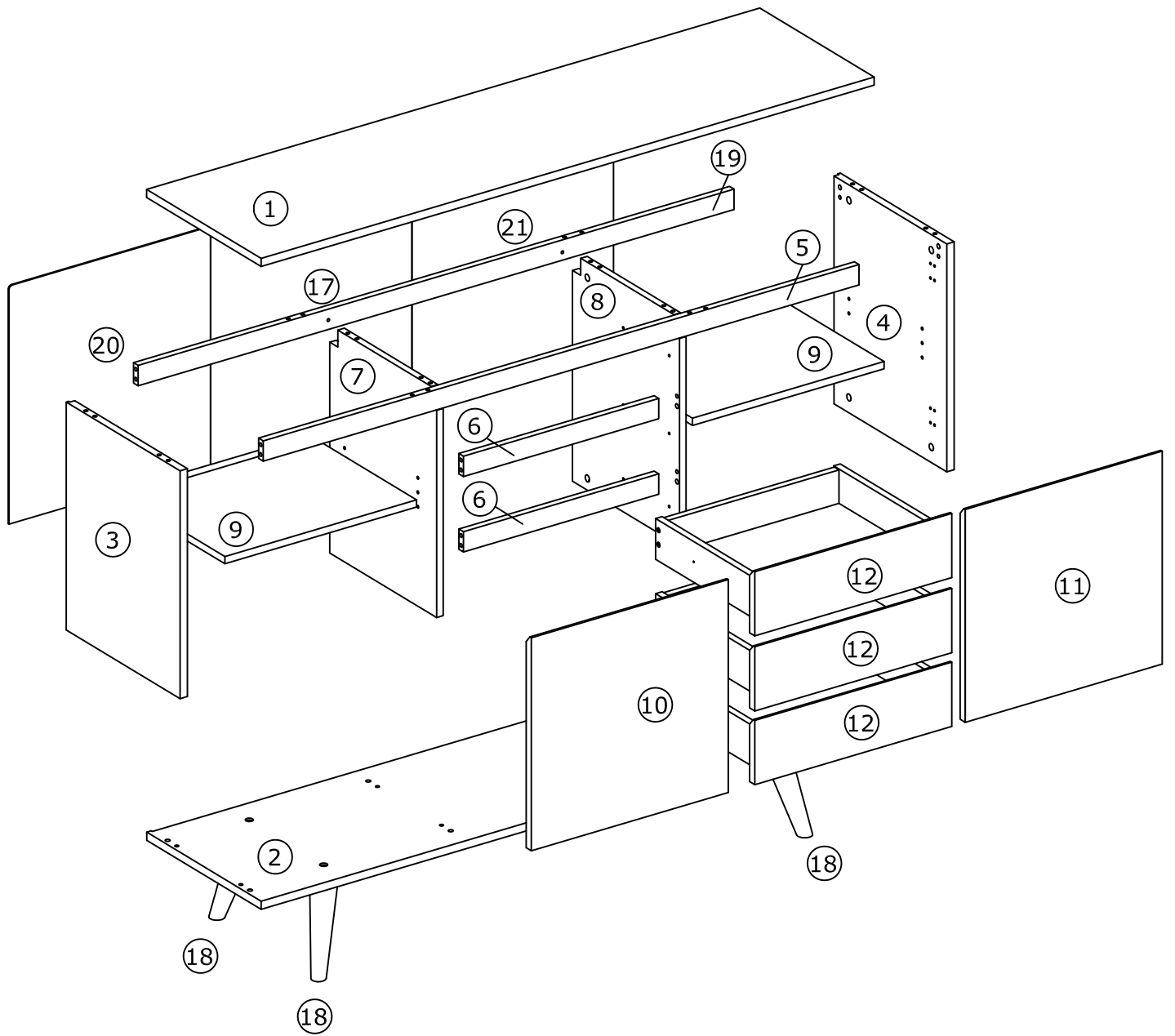
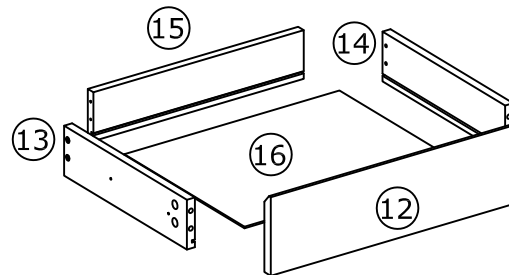








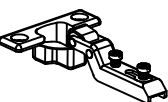
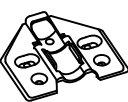


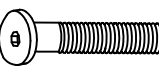
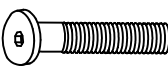






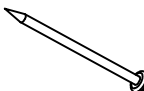
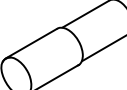
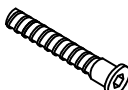



Nagano

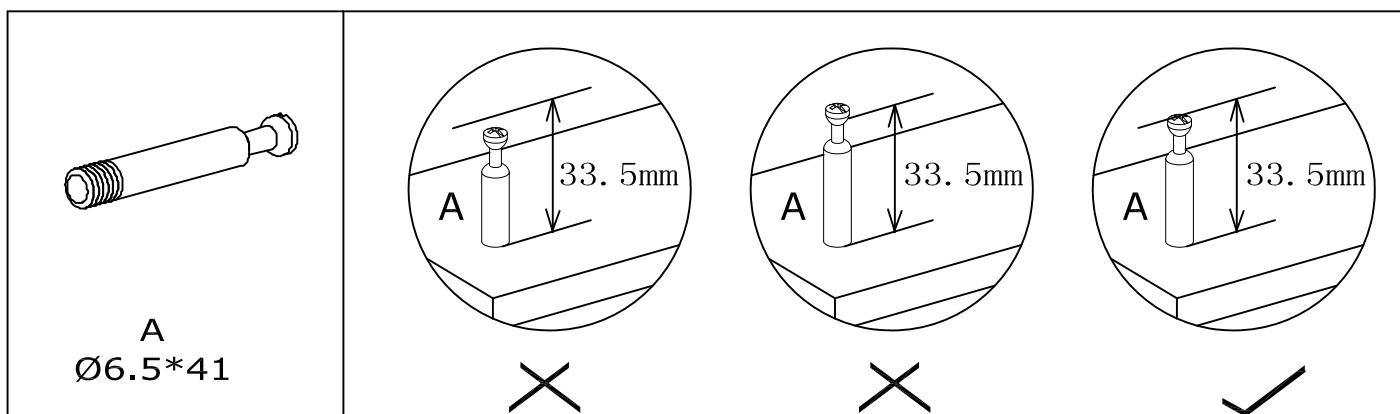


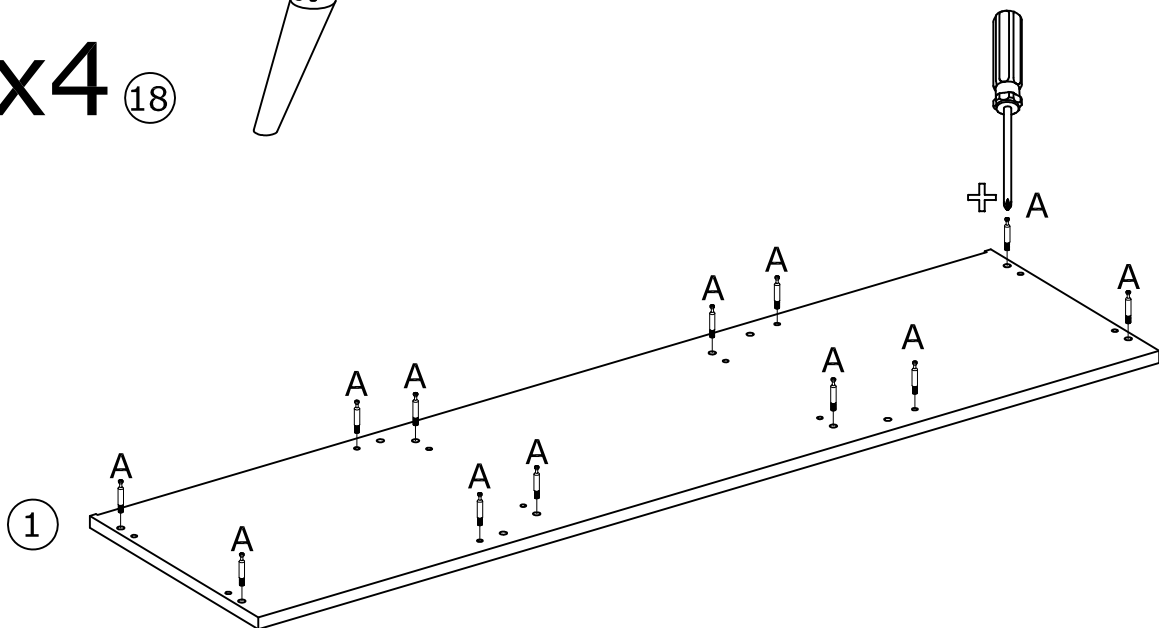
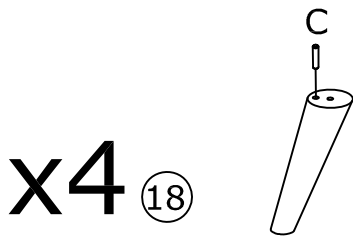
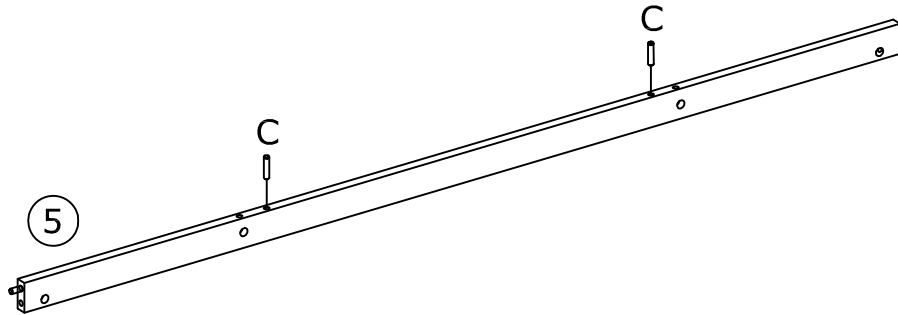
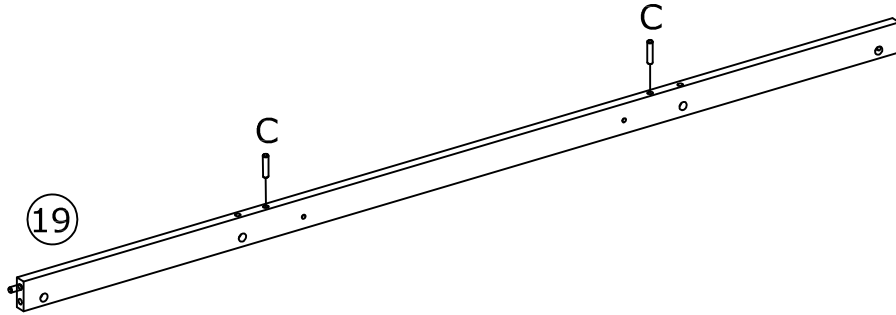
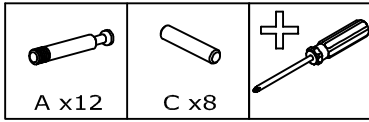


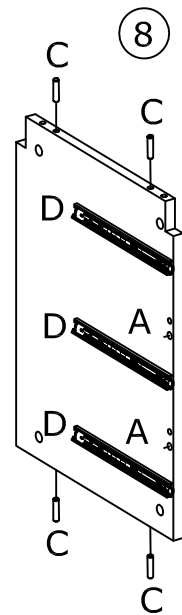
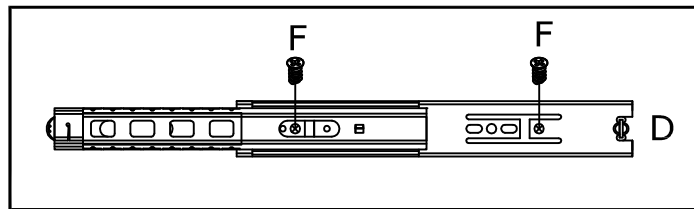
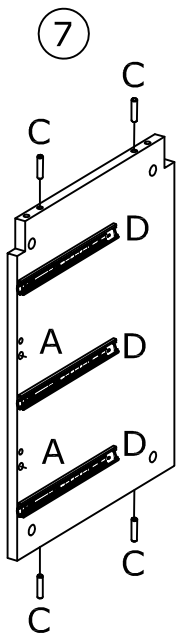
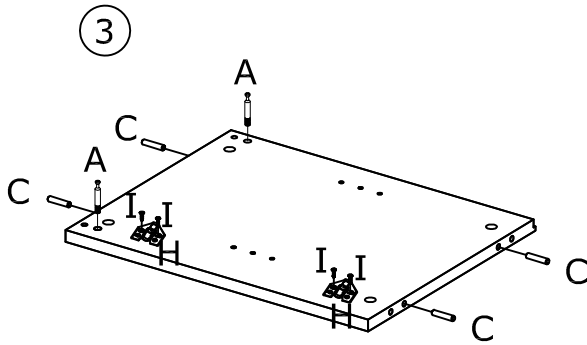
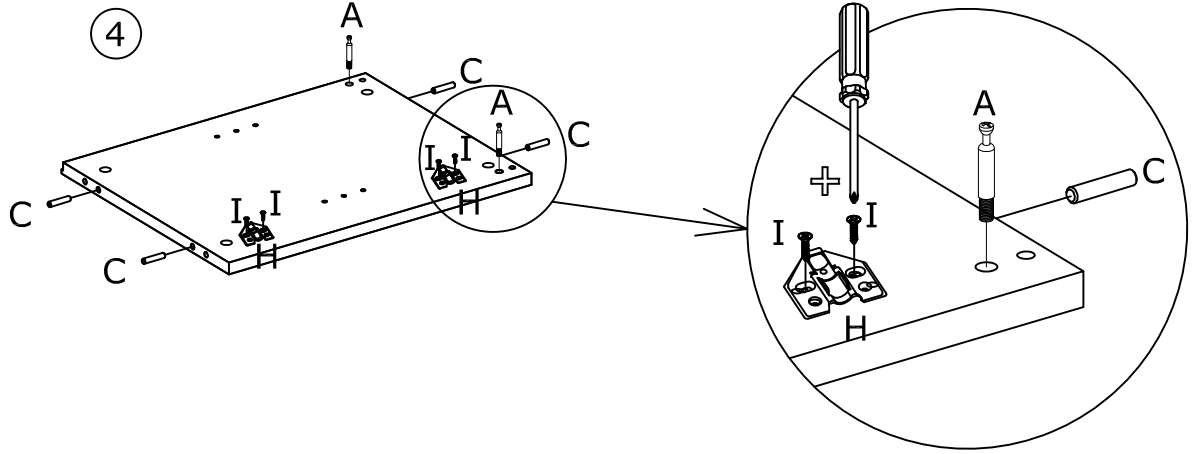
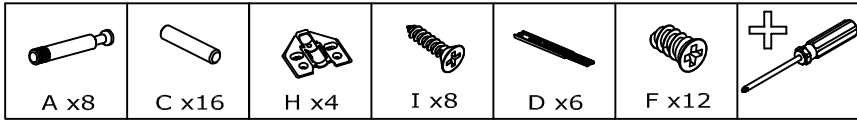
x3

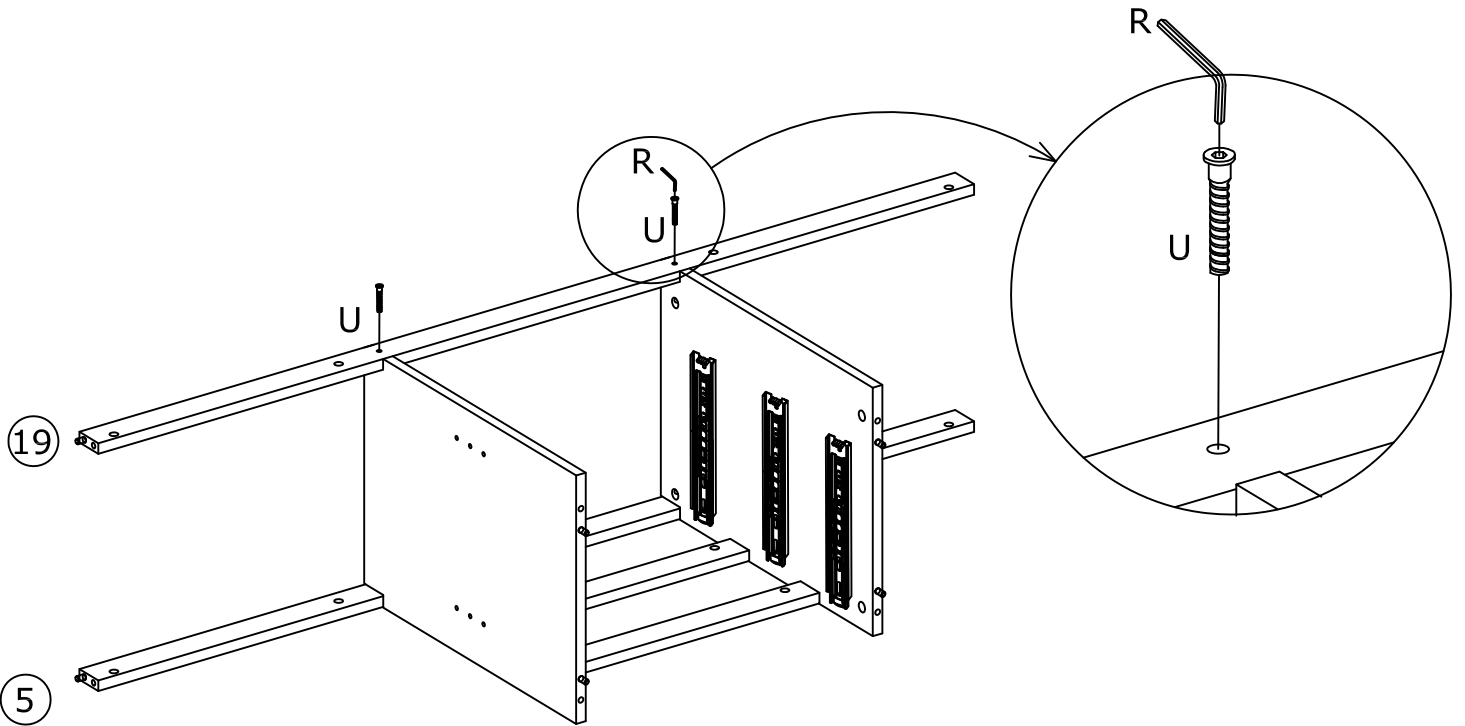
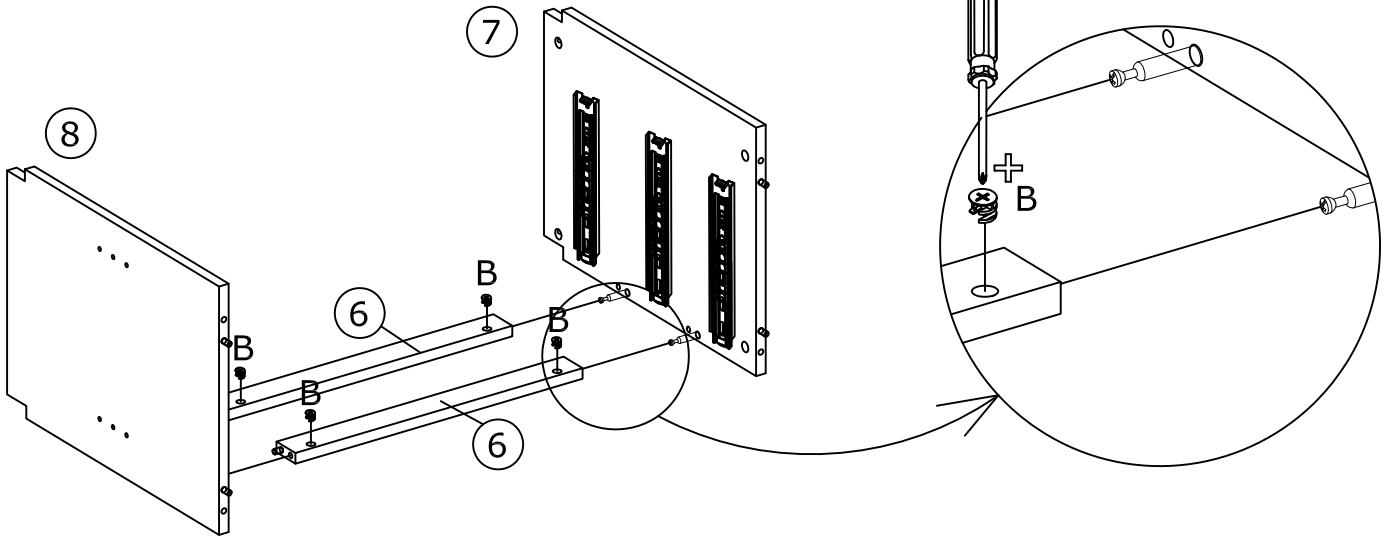
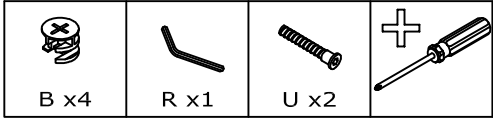


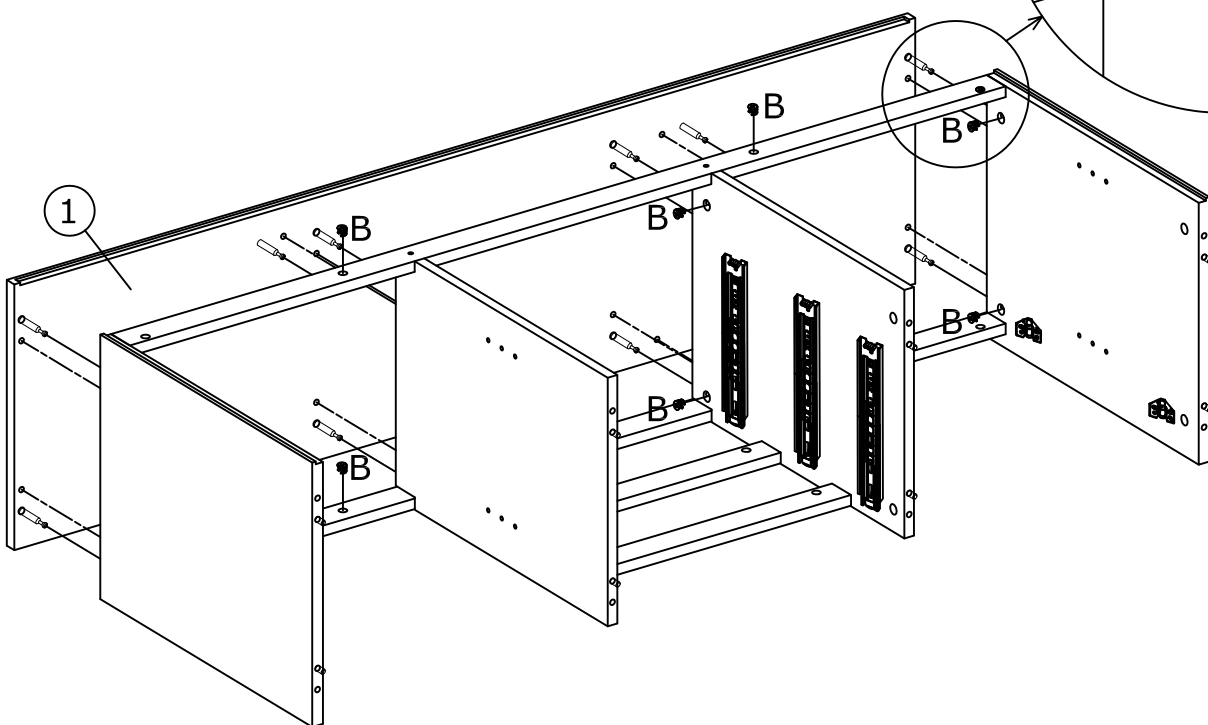
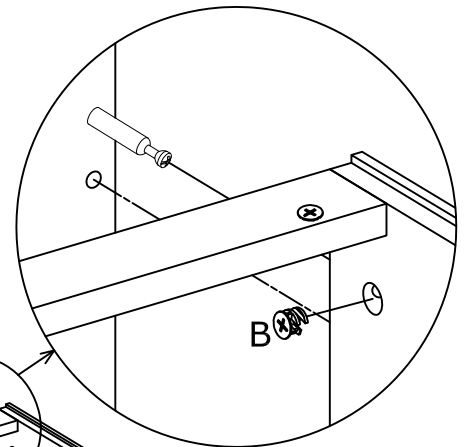
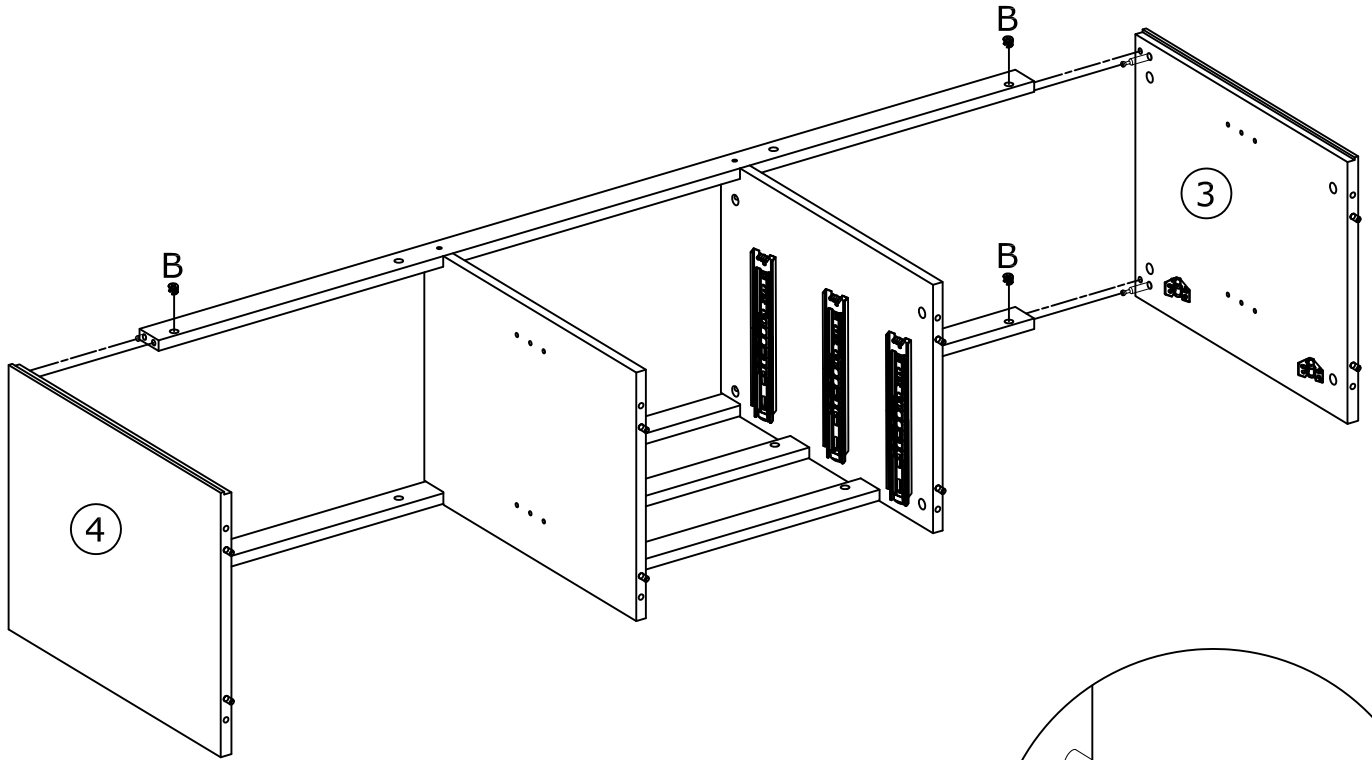
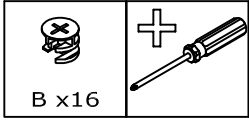
 A x32 Ø6.5*41	 B x32 Ø15*12	 C x24 Ø8*30	 D x6 250mm	 E x6 250mm	 F x12 Ø6*8	 G x4
 H x4	 I x44 Ø3.5*16	 J x12 Ø4*35	 K x4 M6*40	 L x8 M6*50	 M x8 Ø10*12	 N x4 M6
 O x4 M6	 P x2 150mm	 Q x2 M4	 R x1 4mm	 S x26 Ø1.2*20	 T x8 Ø6	 U x2 Ø7*40
 V x4 Ø25	 W x4 19*14	 X x4 Ø3.5*16				

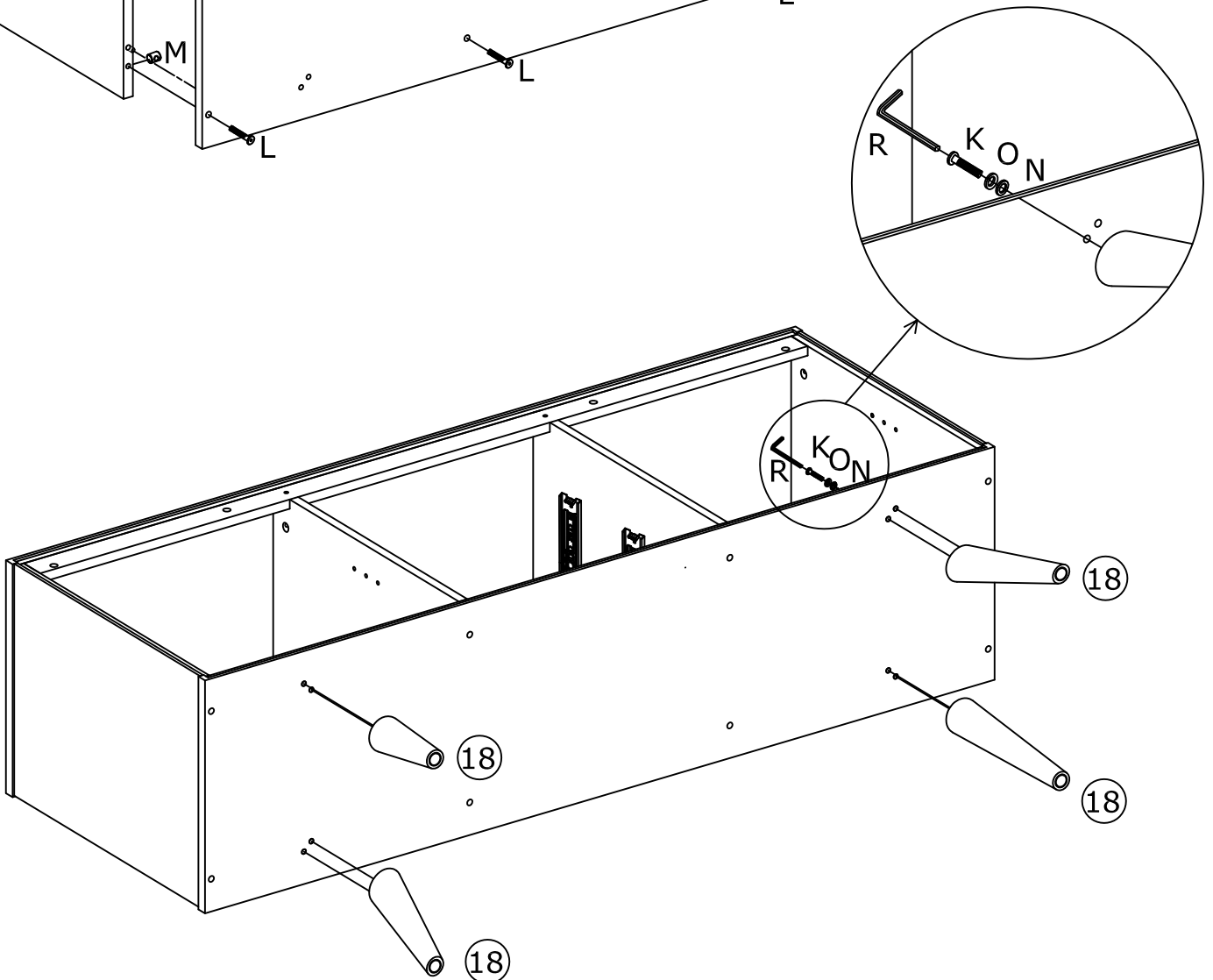
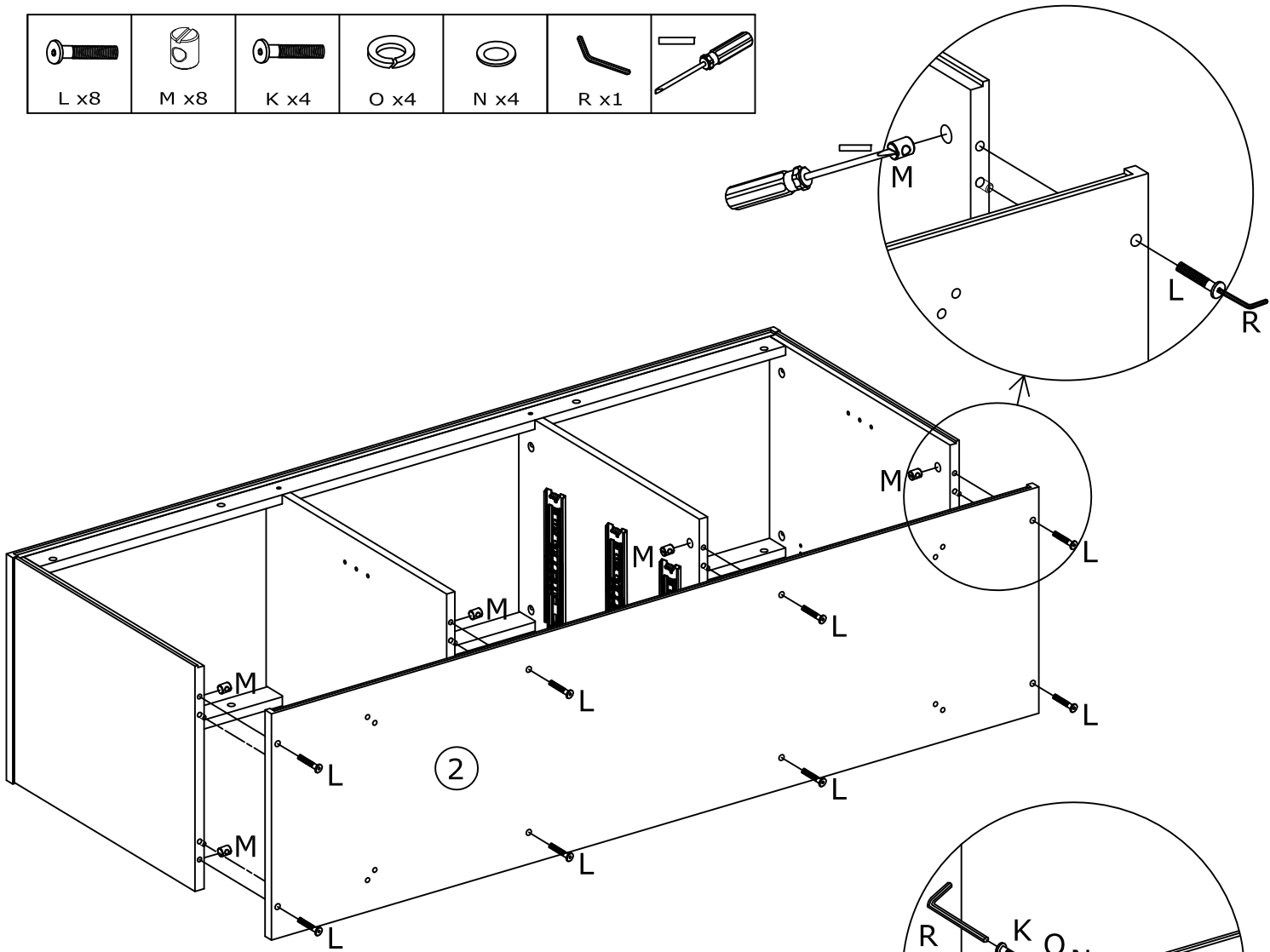
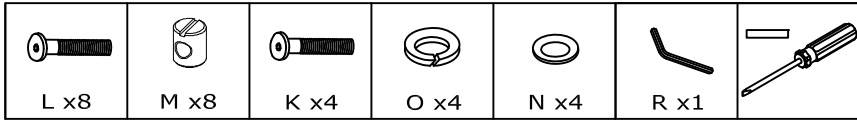


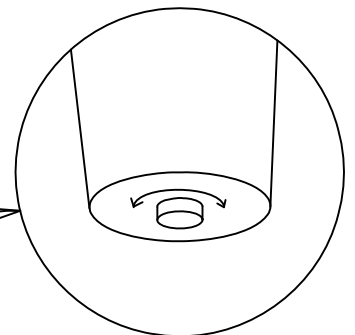
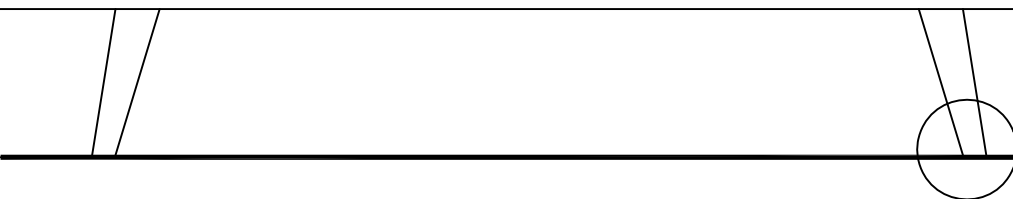
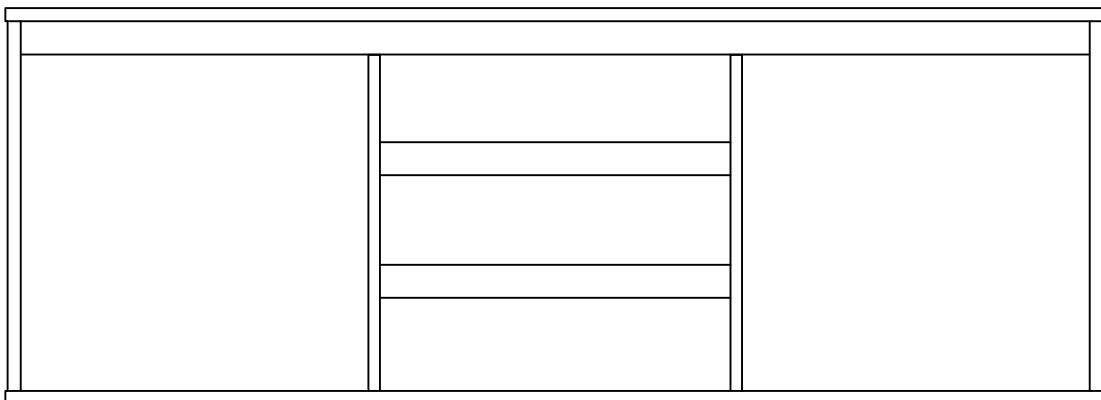
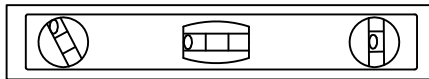
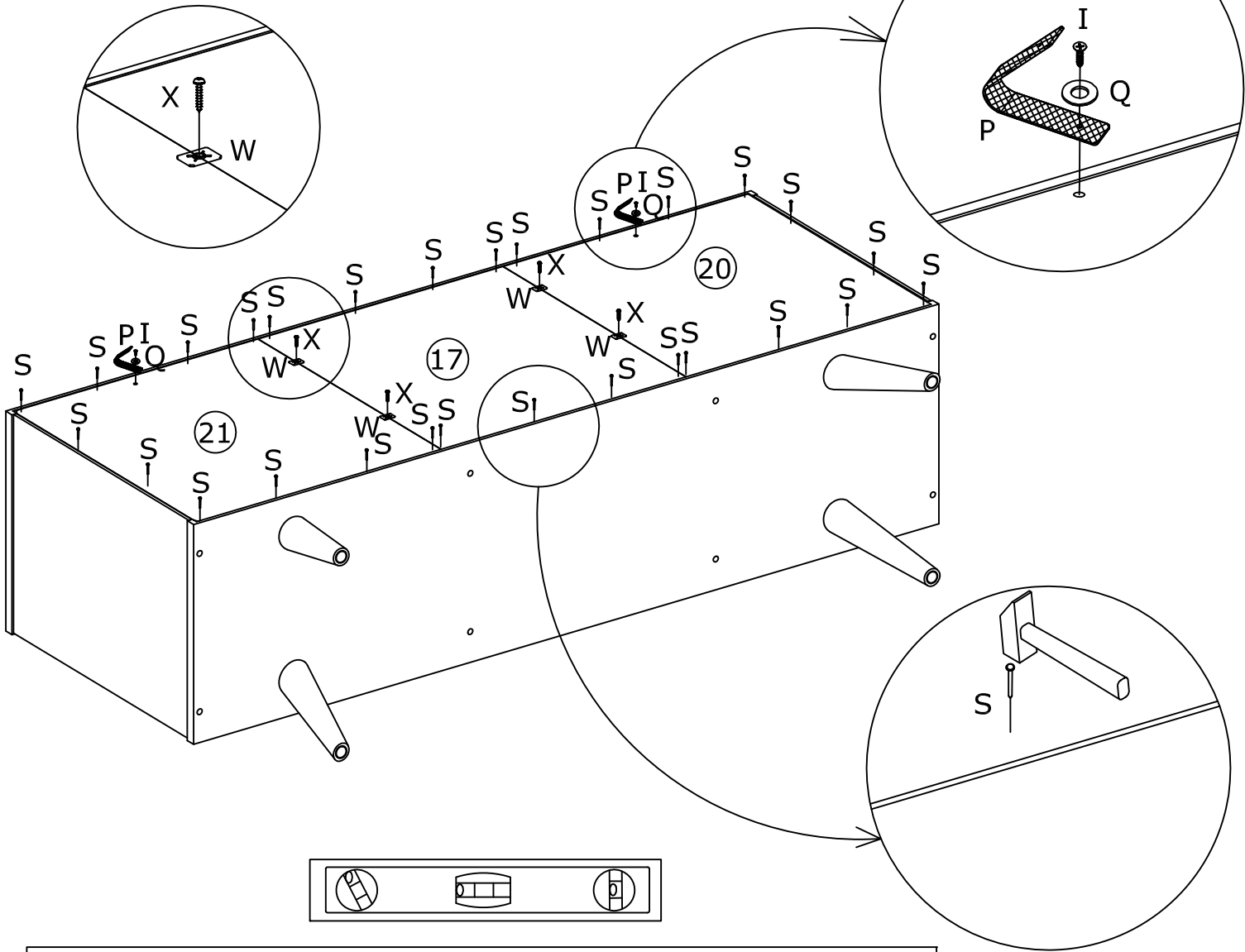
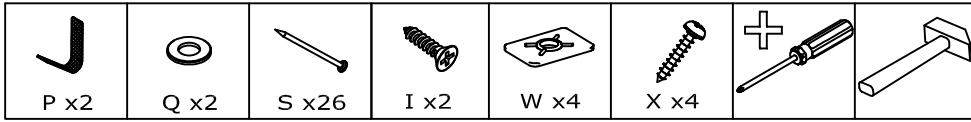


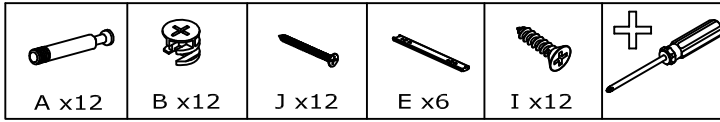












x3

