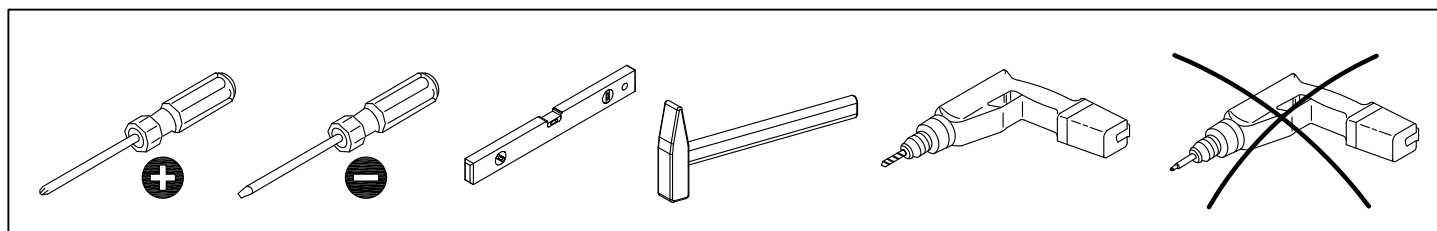
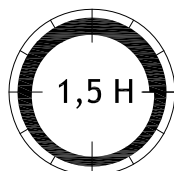
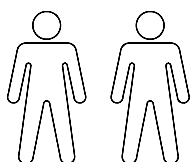
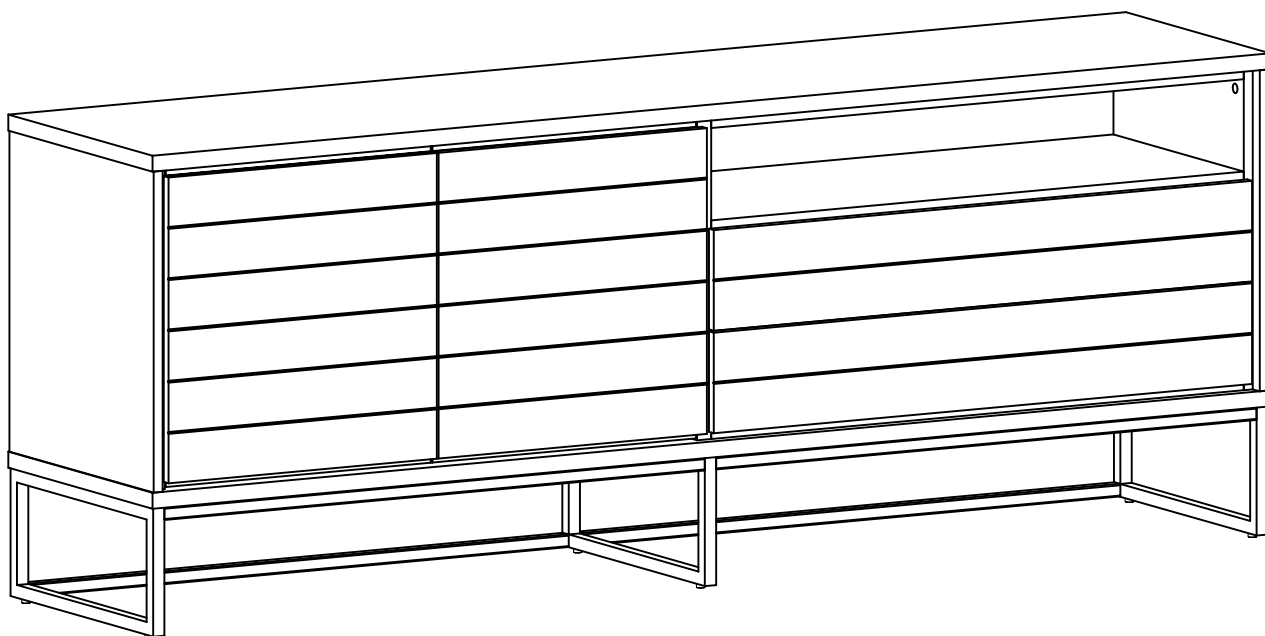
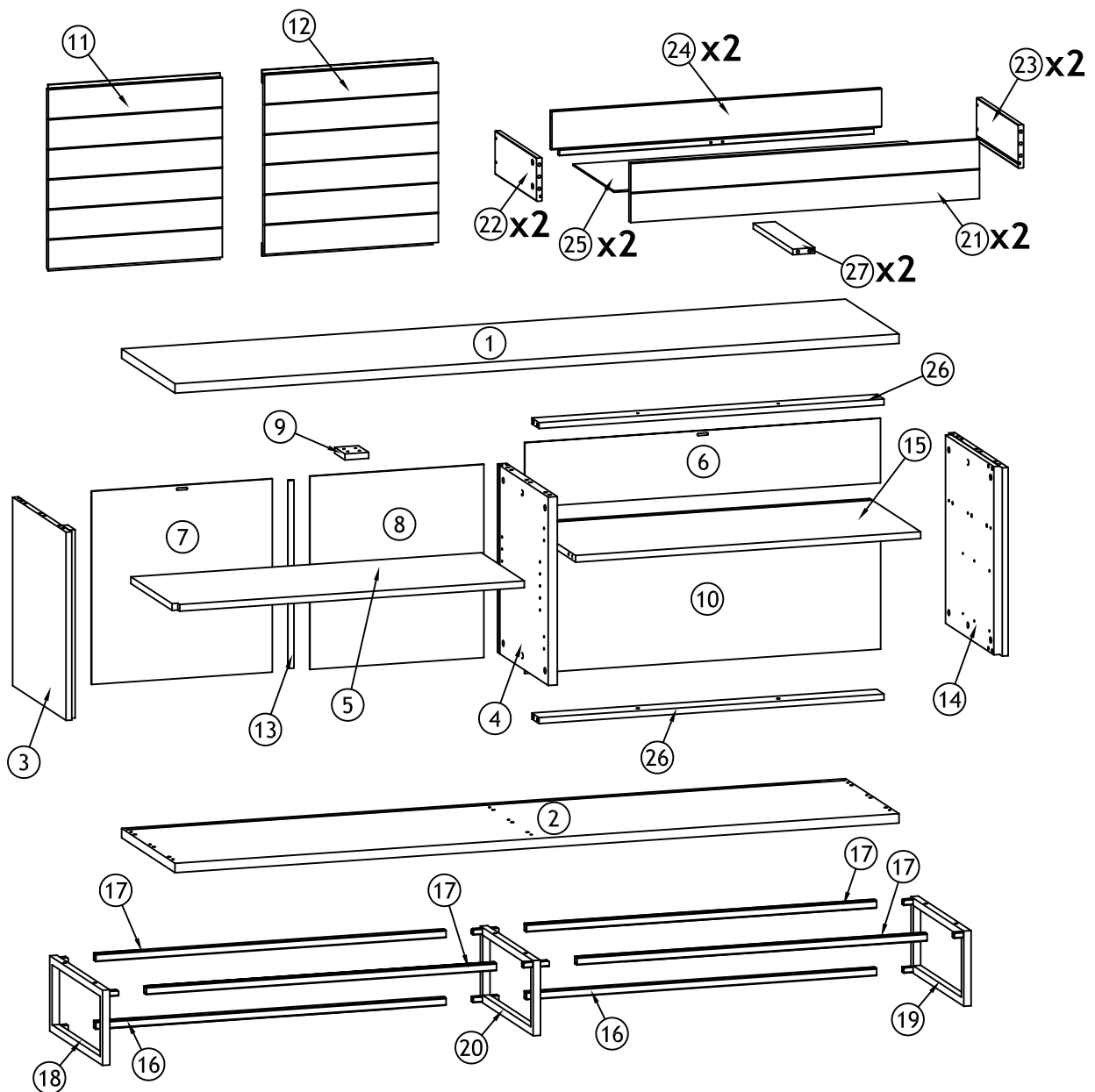


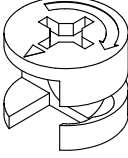
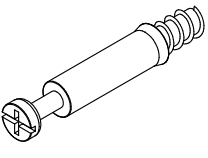
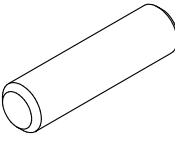
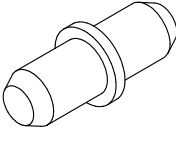
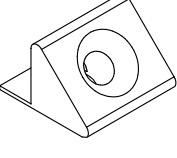
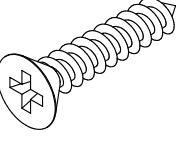
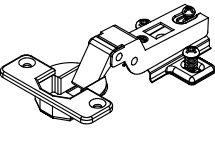
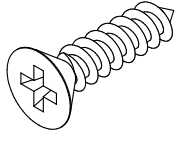
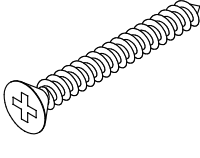
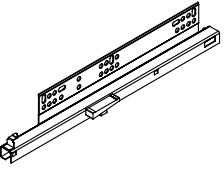
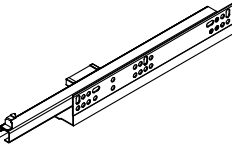
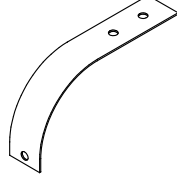
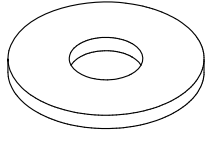
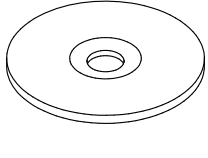
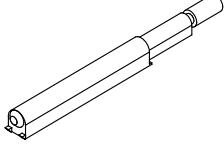
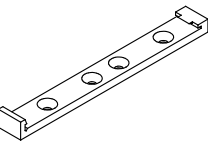
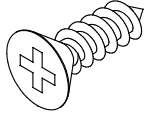
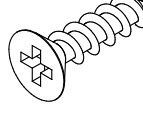
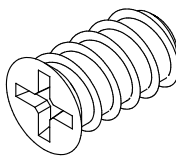
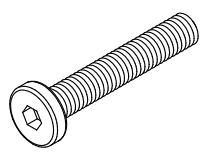
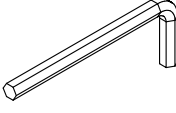
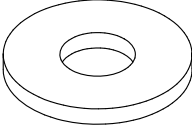
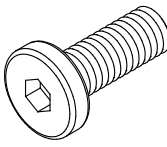
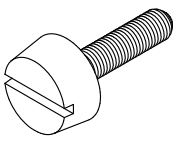
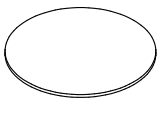
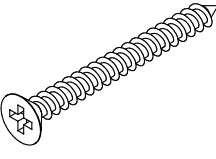
DALARNA



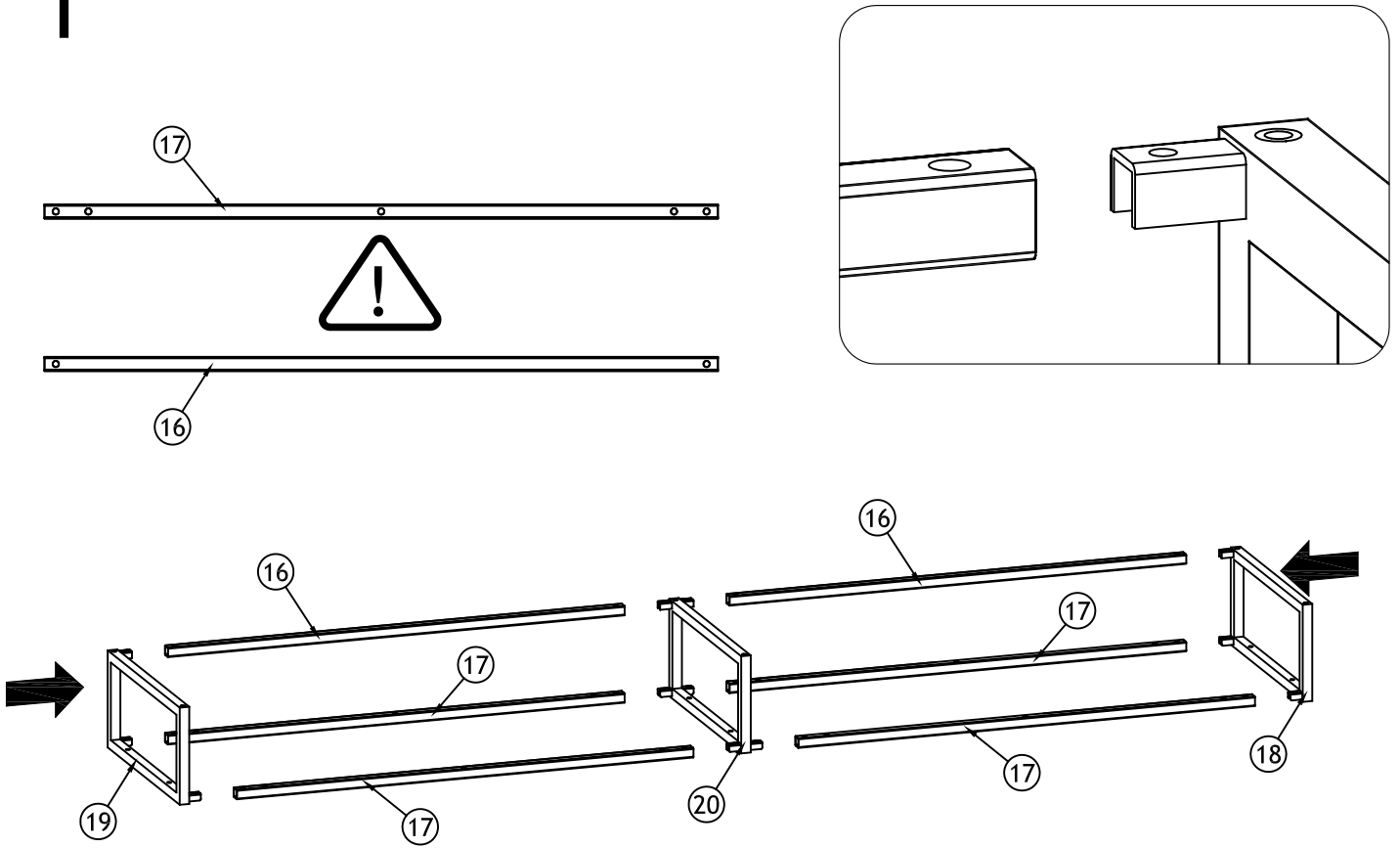
			✓
①	1	1978 x 450 x 25	
②	1	1978 x 450 x 25	
③	1	501 x 450 x 32	
④	1	501 x 428 x 25	
⑤	1	957,5 x 362 x 18	
⑥	1	971,5 x 172 x 4	
⑦	1	514 x 493,5 x 4	
⑧	1	514 x 475 x 4	
⑨	1	86 x 65 x 16	
⑩	1	971,5 x 335 x 4	
⑪	1	475 x 495 x 55	
⑫	1	475 x 495 x 55	
⑬	1	500 x 16,5 x 7,6	

			✓
⑭	1	501 x 450 x 32	
⑮	1	942,5 x 428 x 18	
⑯	2	956,5 x 20 x 20	
⑰	4	956,5 x 20 x 20	
⑱	1	445 x 200 x 45	
⑲	1	445 x 200 x 45	
⑳	1	445 x 200 x 70	
㉑	2	953 x 157 x 15	
㉒	2	350 x 115 x 15	
㉓	2	350 x 115 x 15	
㉔	2	900,5 x 120 x 15	
㉕	2	911,5 x 345 x 4	
㉖	2	942,5 x 60 x 16	
㉗	2	334 x 60 x 15	



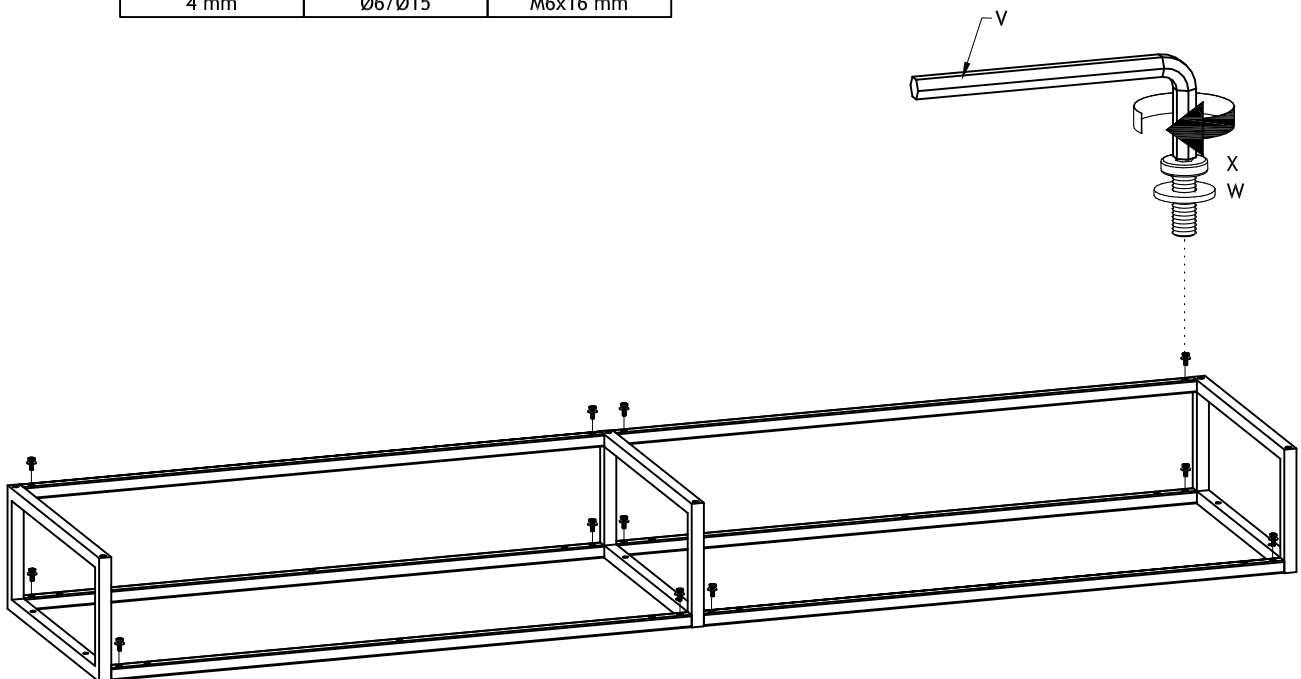
<p>A x 40</p>  <p>Ø15x12 mm</p>	<p>B x 40</p>  <p>Ø6,1/34 mm</p>	<p>C x 36</p>  <p>Ø8x30 mm</p>	<p>D x 4</p>  <p>Ø5/Ø5 mm</p>	<p>E x 18</p>  <p>15x15 mm</p>
<p>F x 18</p>  <p>Ø3,5x18 mm</p>	<p>G x 4</p>  <p>Ø35, FK 9 mm</p>	<p>H x 20</p>  <p>Ø3,5x15 mm</p>	<p>J x 8</p>  <p>Ø3,5x30 mm</p>	<p>K1 x 2</p>  <p>350 mm</p>
<p>K2 x 2</p>  <p>350 mm</p>	<p>L x 2</p>  <p>150x26 mm</p>	<p>M x 6</p>  <p>Ø4/Ø12 mm</p>	<p>N x 2</p>  <p>Ø16x0,8 mm</p>	<p>P x 2</p>  <p>122/82 mm</p>
<p>Q x 2</p>  <p>83x10 mm</p>	<p>R x 8</p>  <p>Ø3,5x12 mm</p>	<p>S x 2</p>  <p>Ø3x12 mm</p>	<p>T x 12</p>  <p>Ø6/10,5 mm</p>	<p>U x 18</p>  <p>M6x35 mm</p>
<p>V x 1</p>  <p>4 mm</p>	<p>W x 30</p>  <p>Ø6/Ø15</p>	<p>X x 12</p>  <p>M6x16 mm</p>	<p>Y x 6</p>  <p>Ø18/M6 mm</p>	<p>Z x 11</p>  <p>Ø20 mm</p>
<p>AA x 8</p>  <p>Ø3,5x35 mm</p>				

1

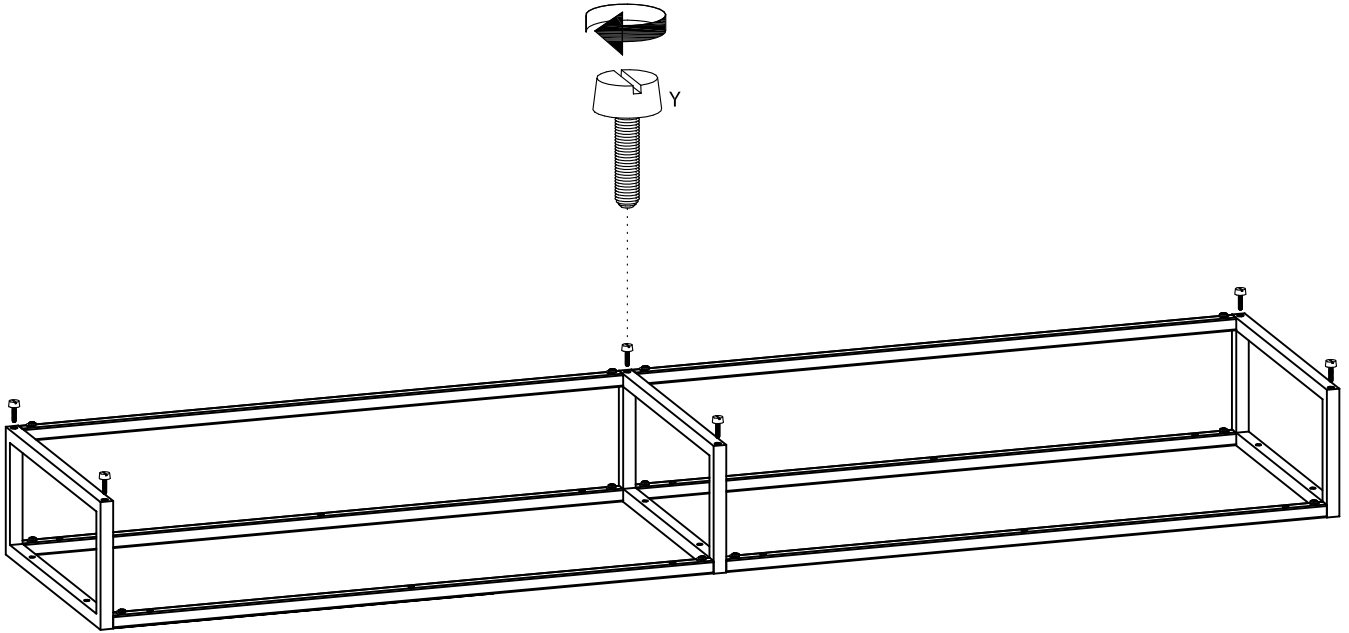
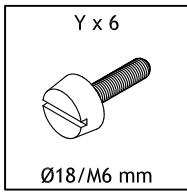


2

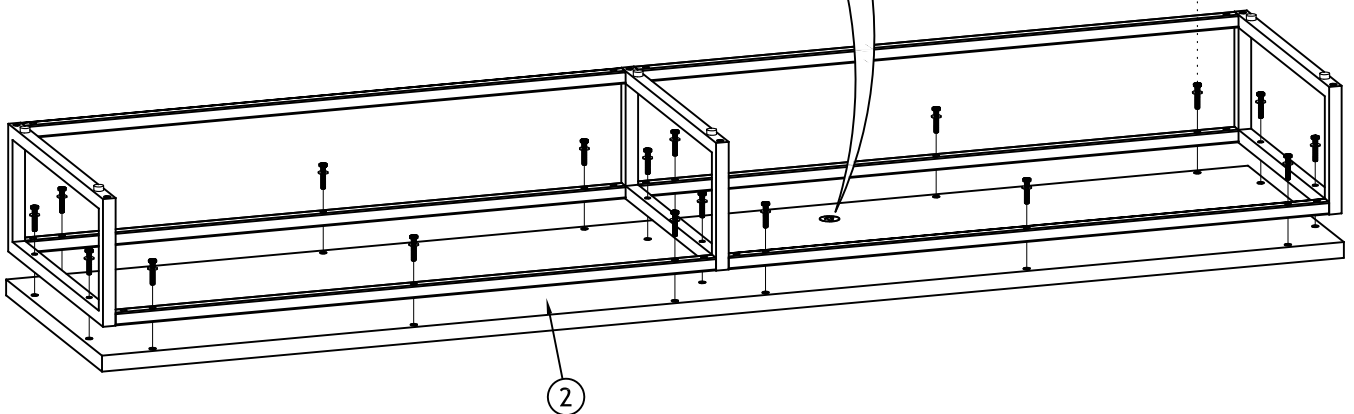
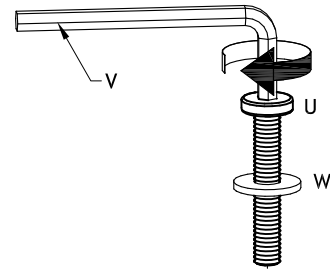
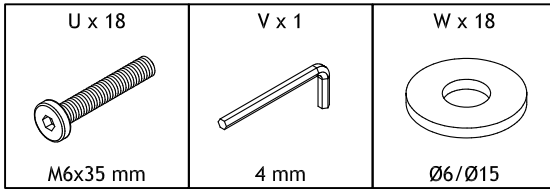
V x 1	W x 12	X x 12
4 mm	Ø6/Ø15	M6x16 mm



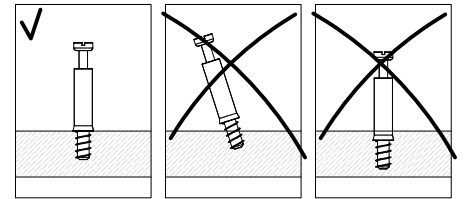
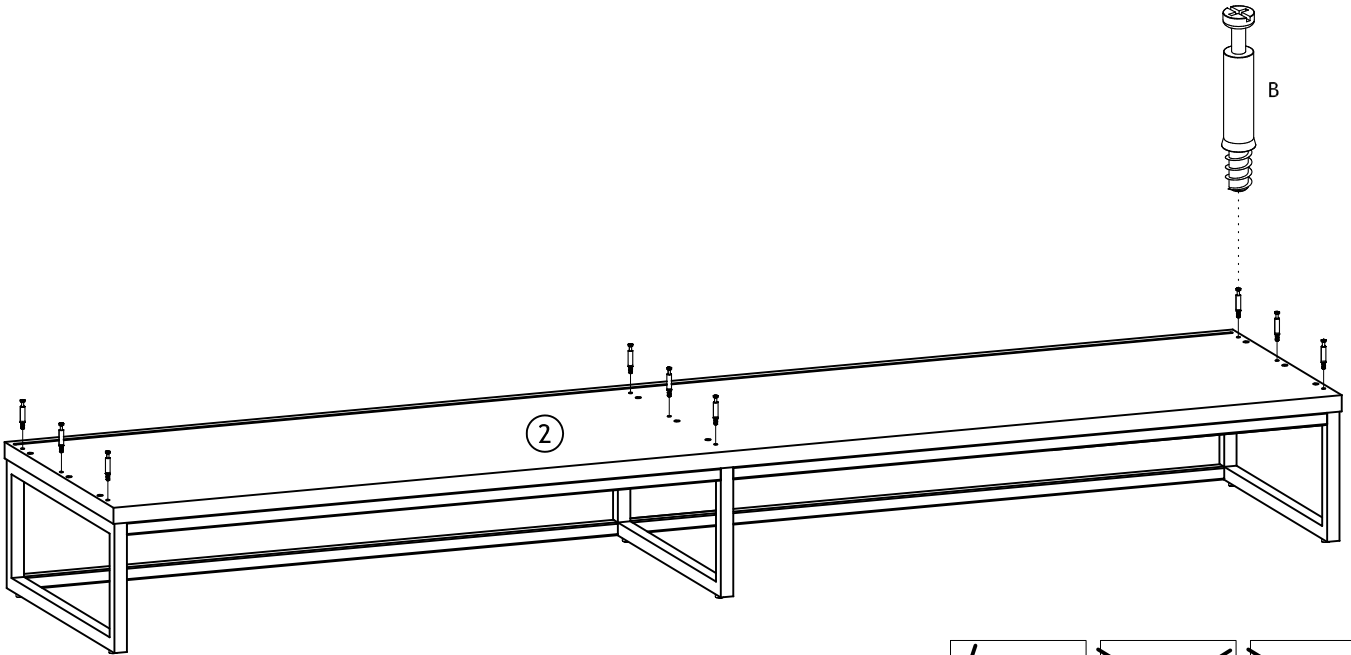
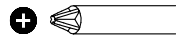
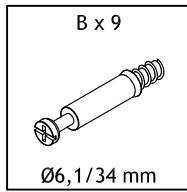
3



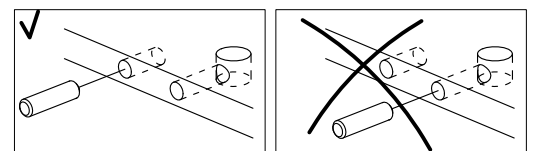
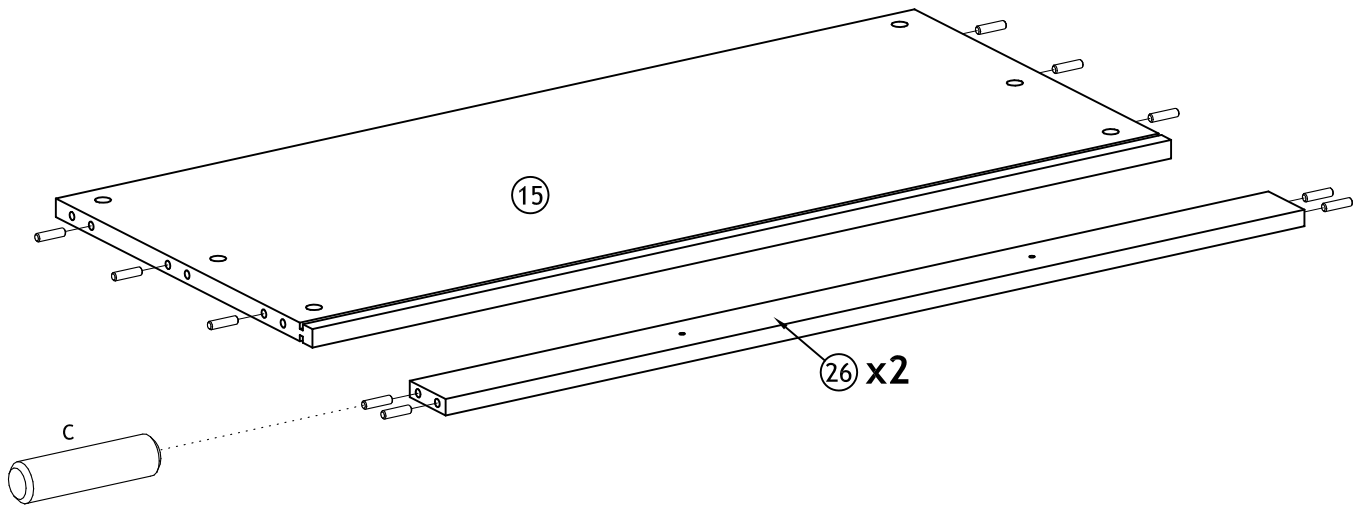
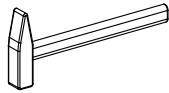
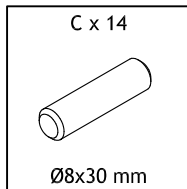
4



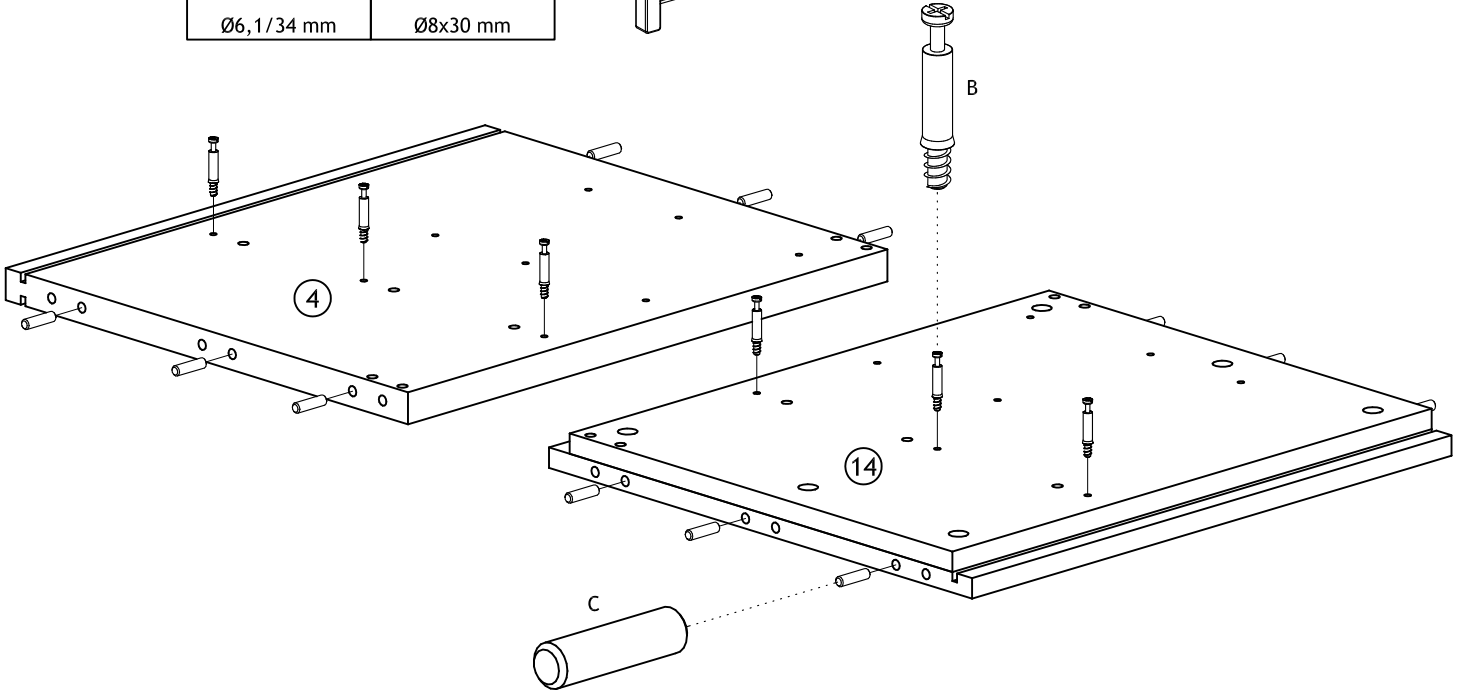
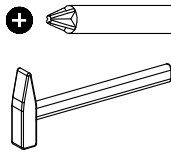
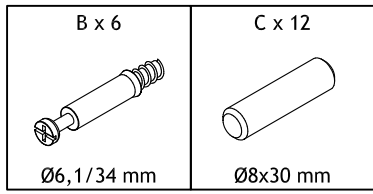
5



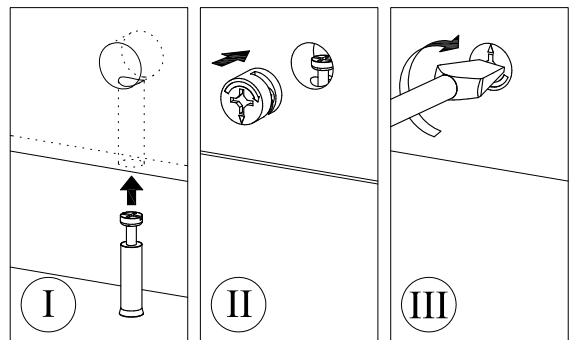
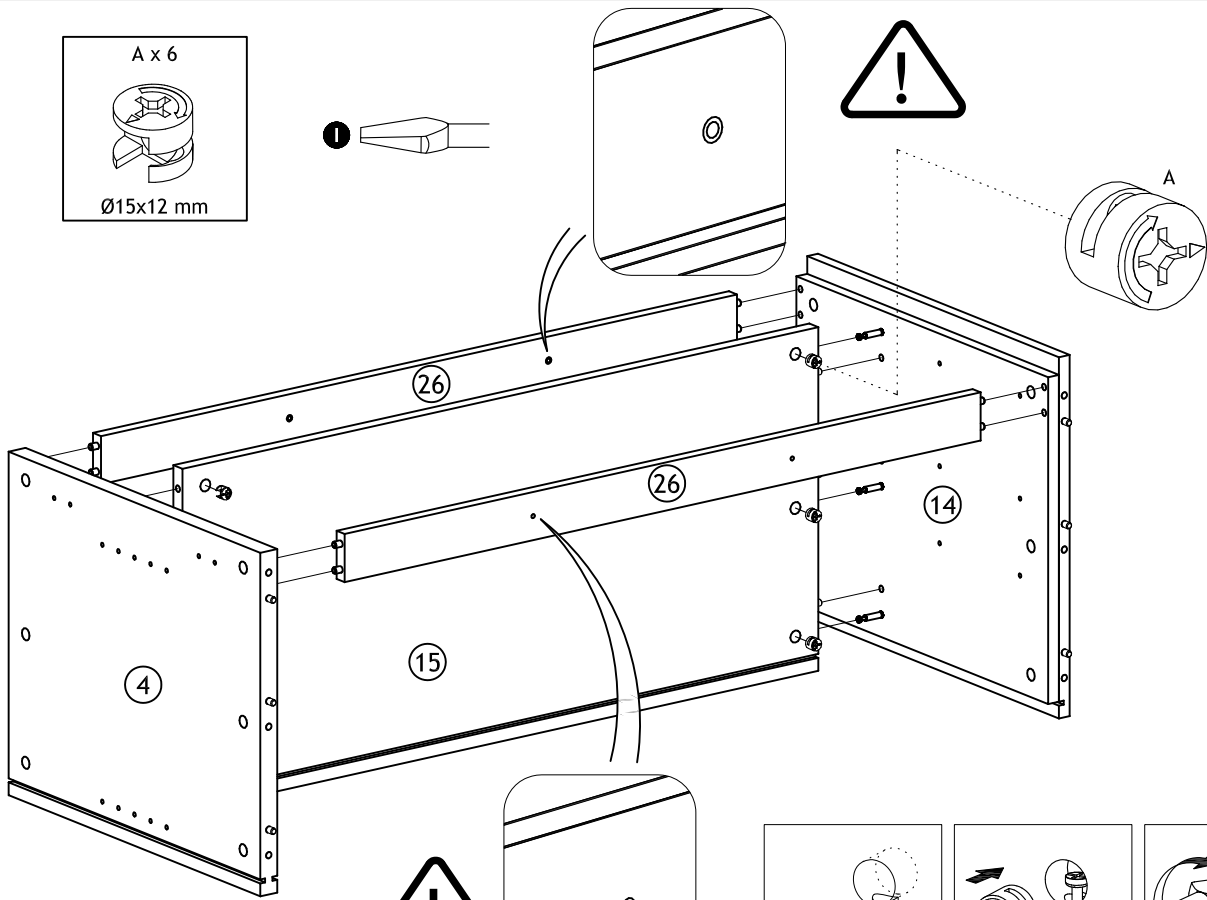
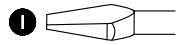
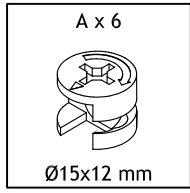
6



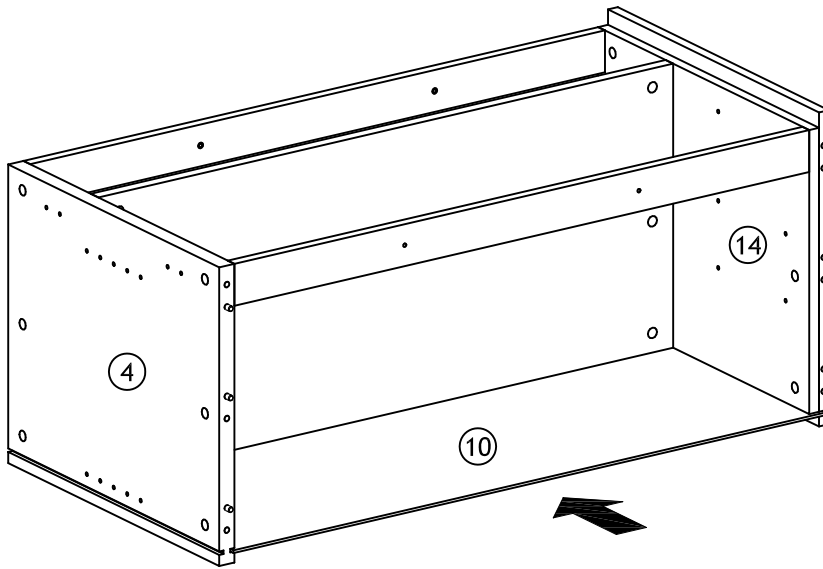
7



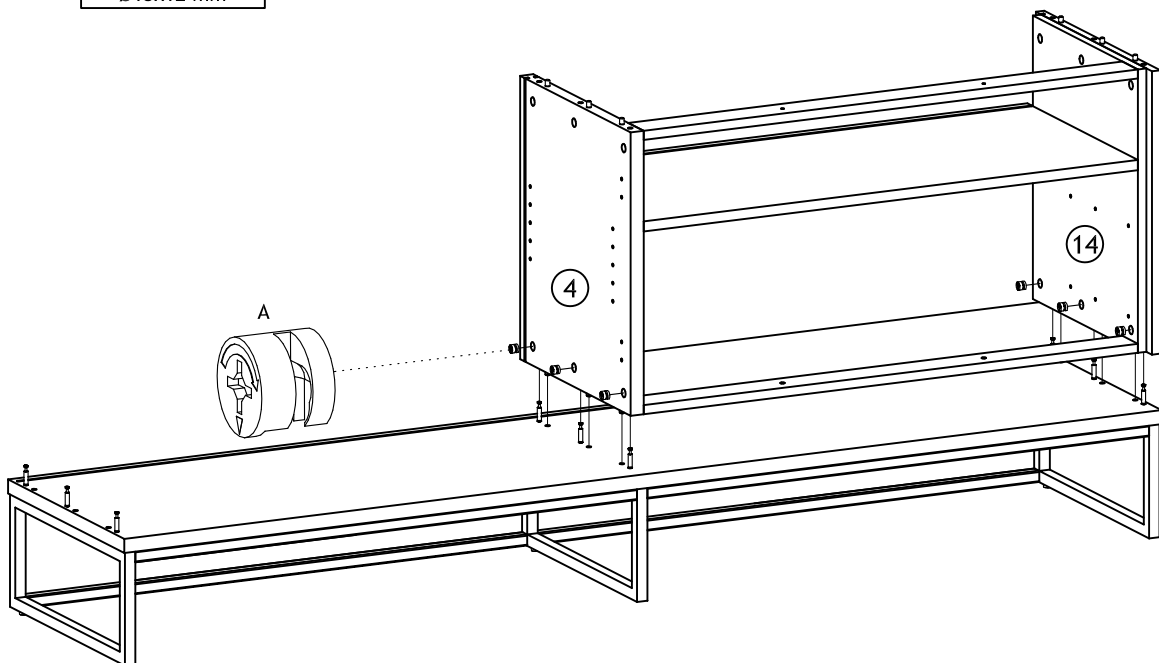
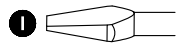
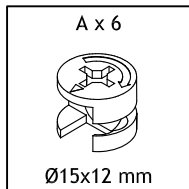
8



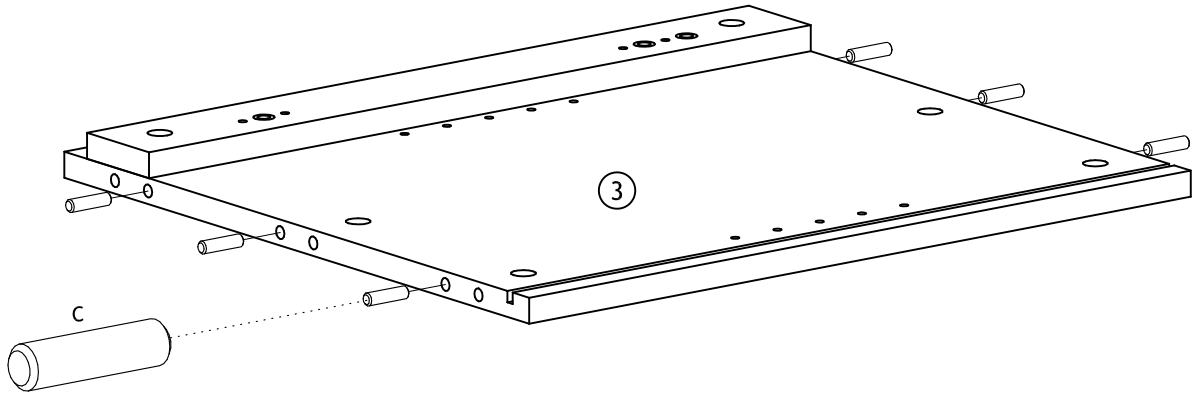
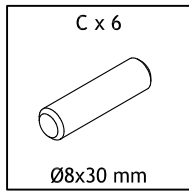
9



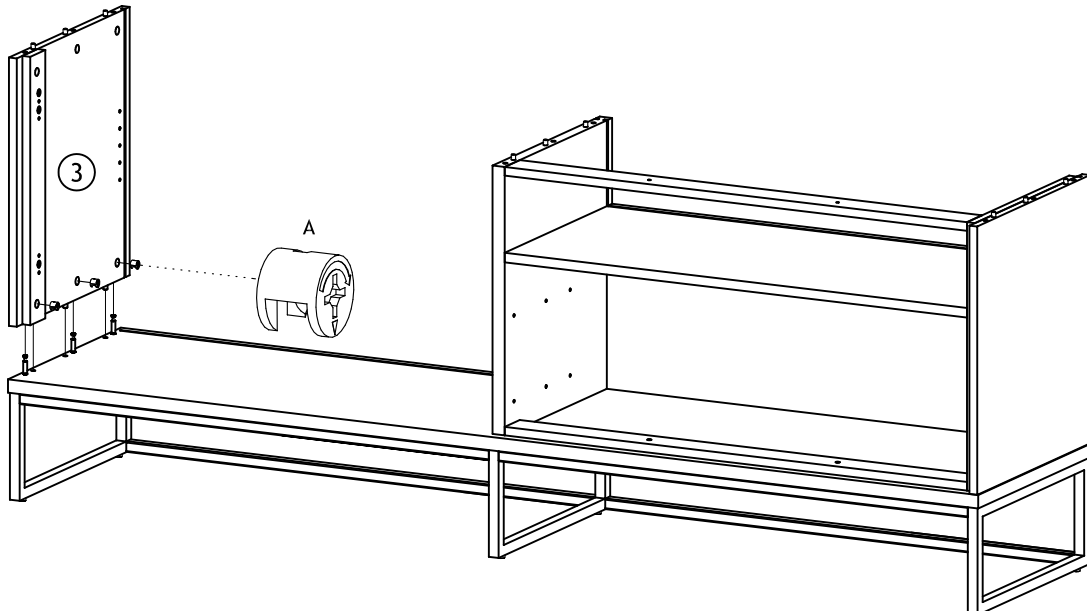
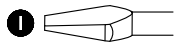
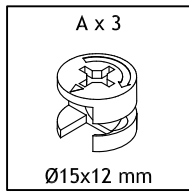
10



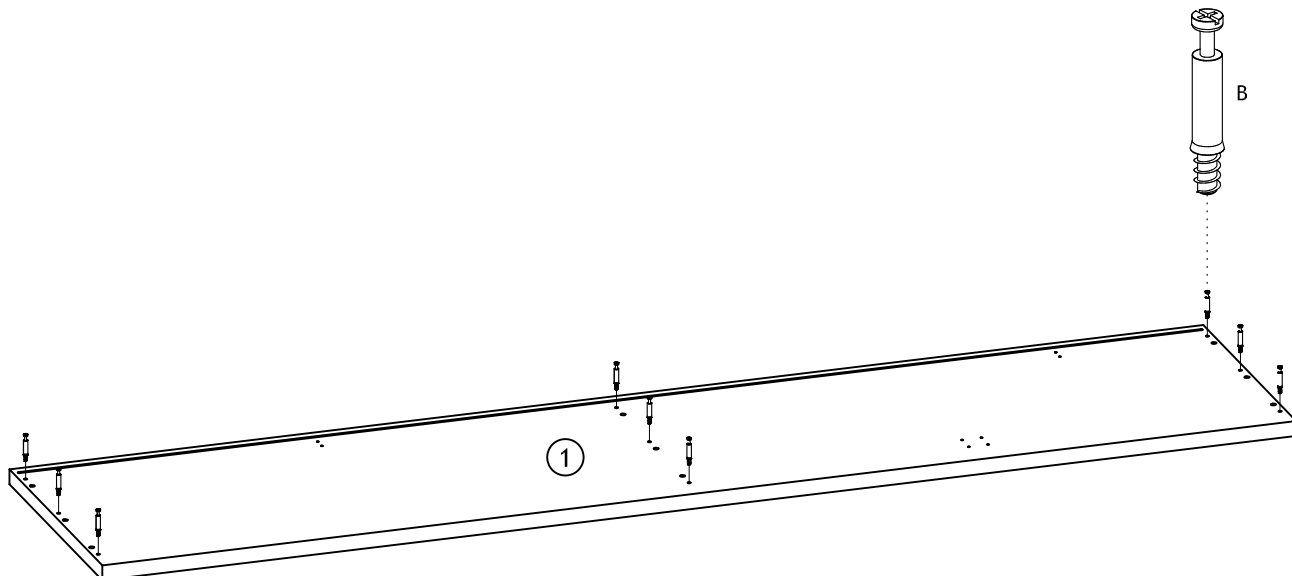
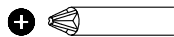
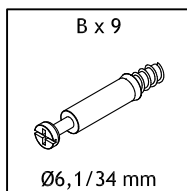
11



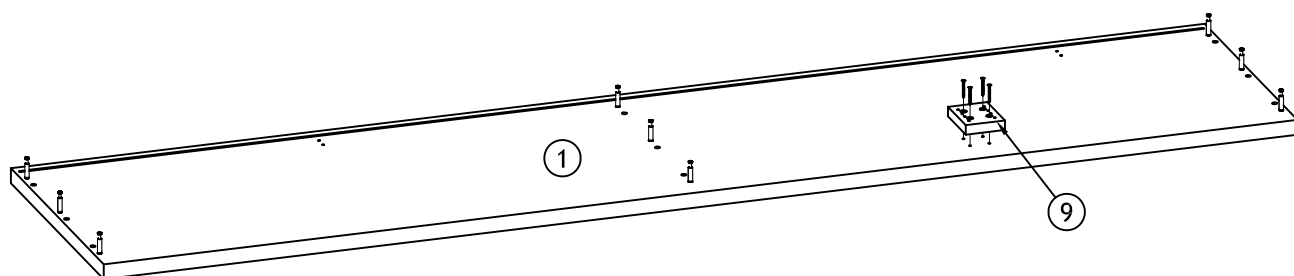
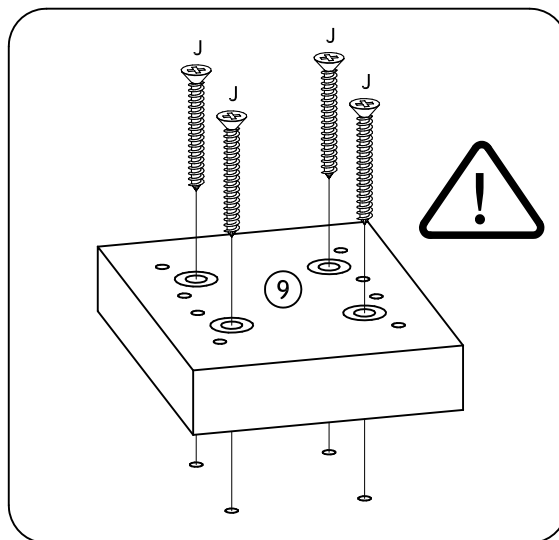
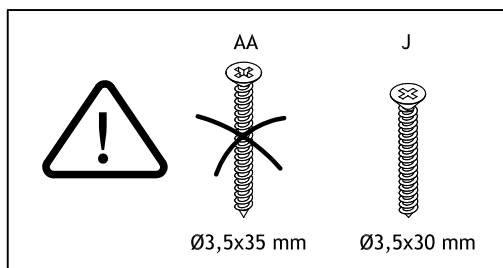
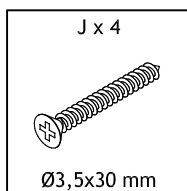
12



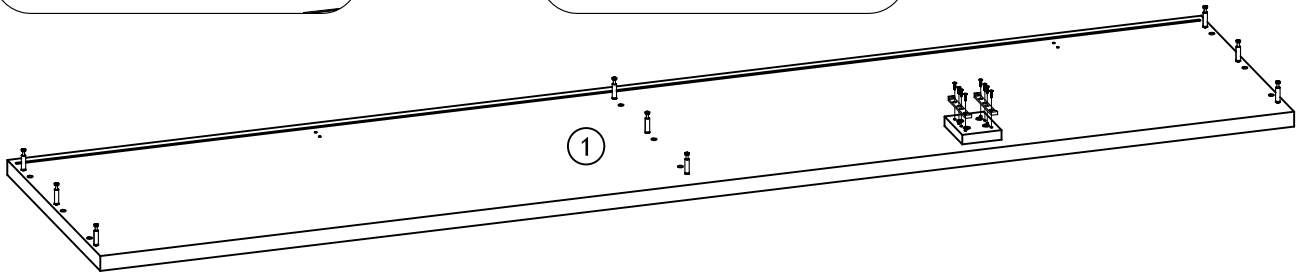
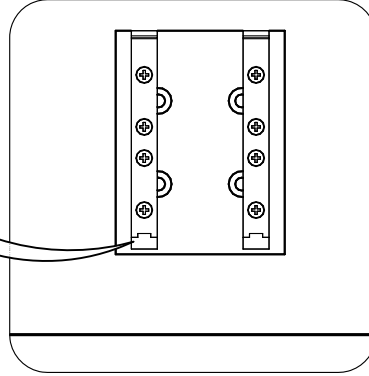
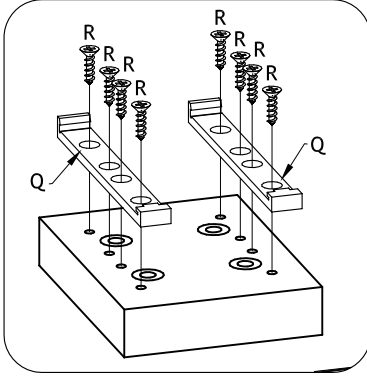
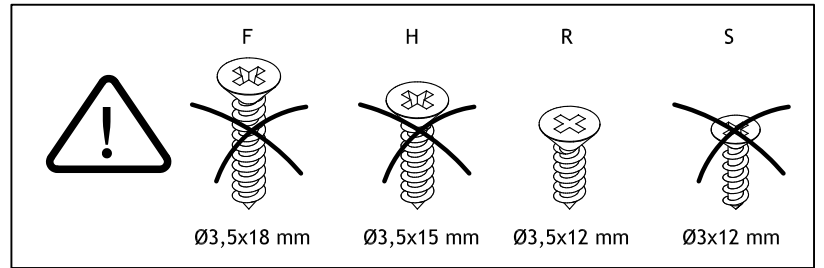
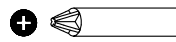
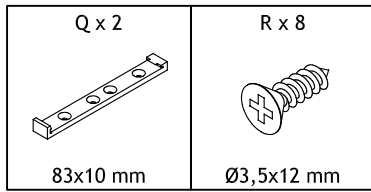
13



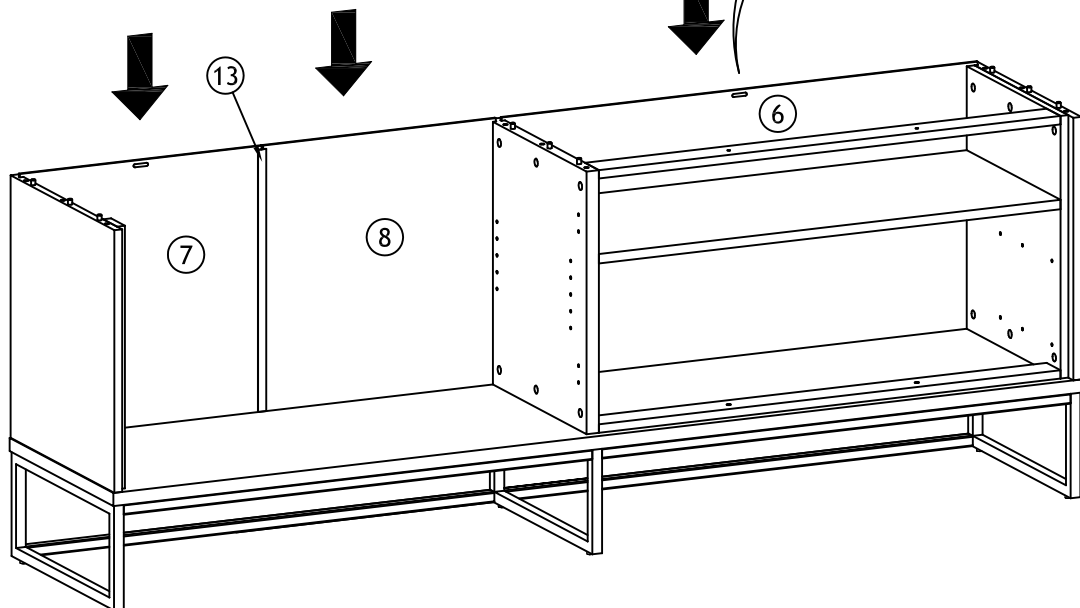
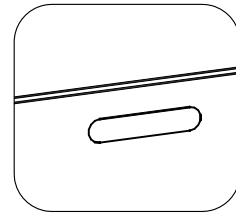
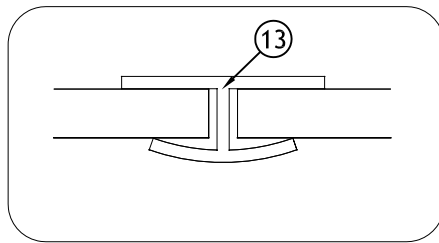
14



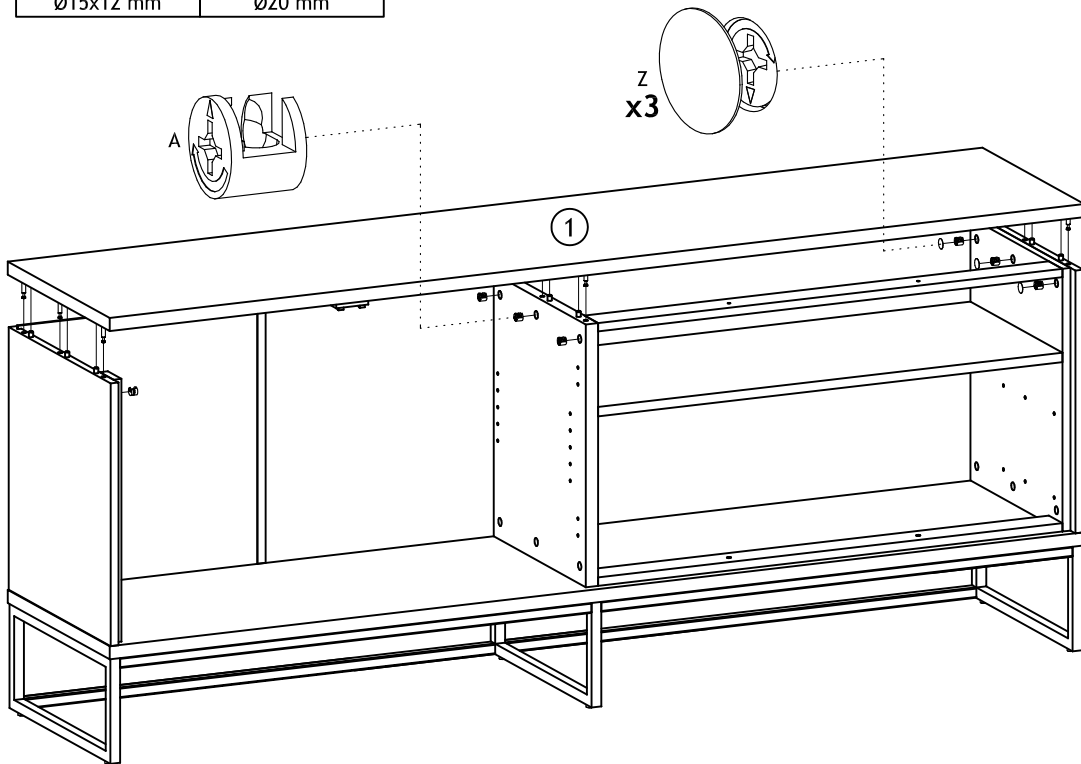
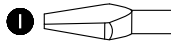
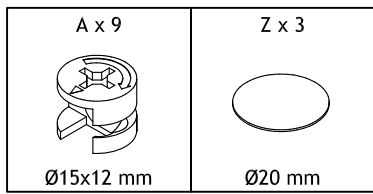
15



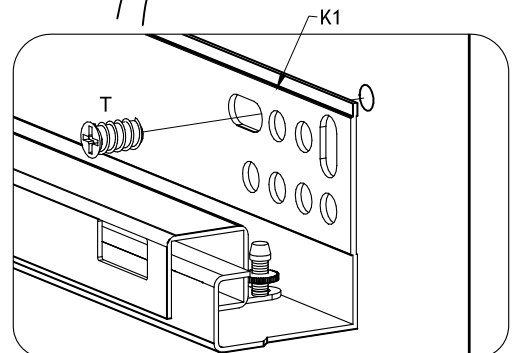
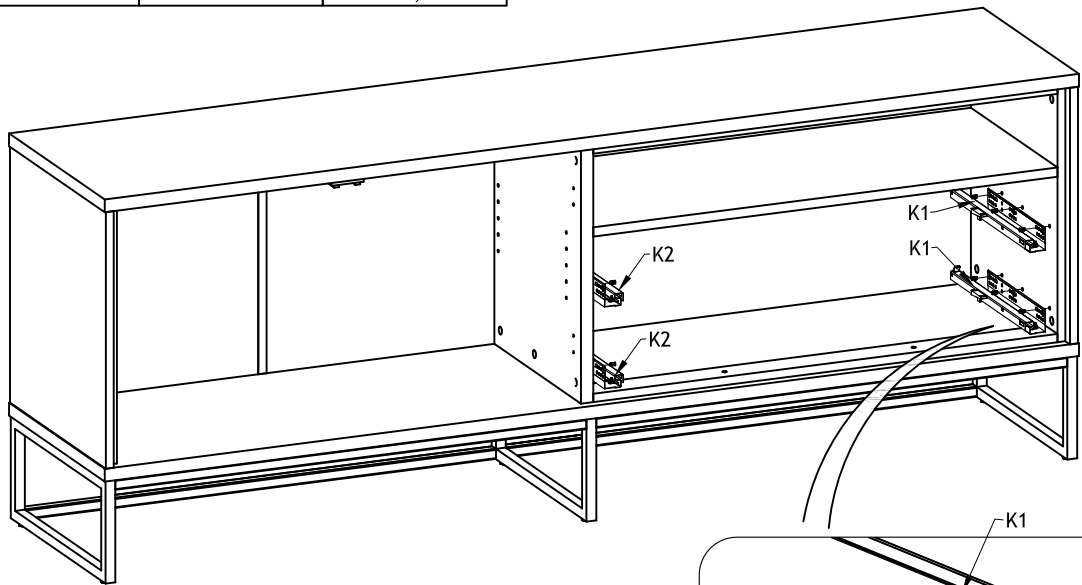
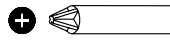
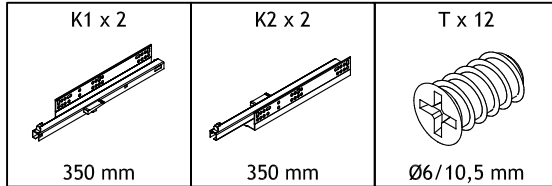
16



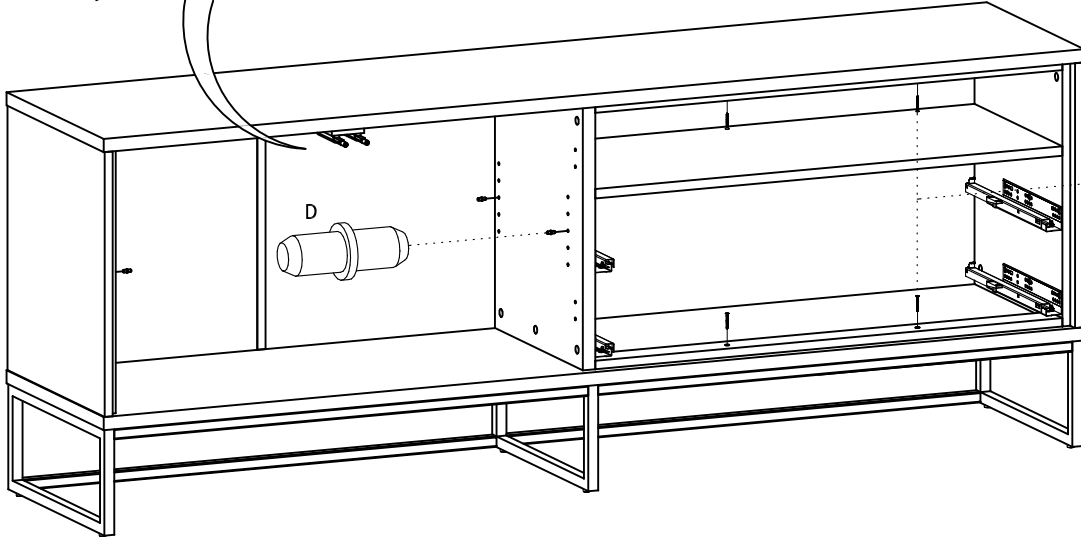
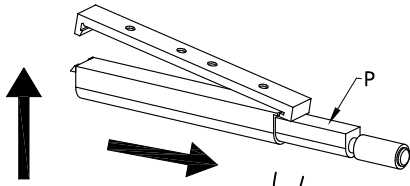
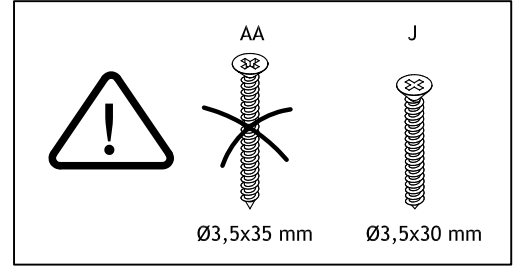
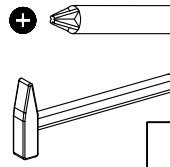
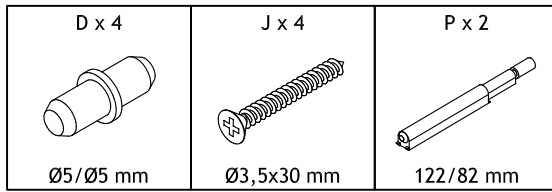
17



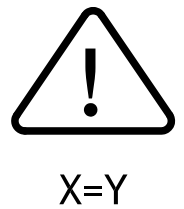
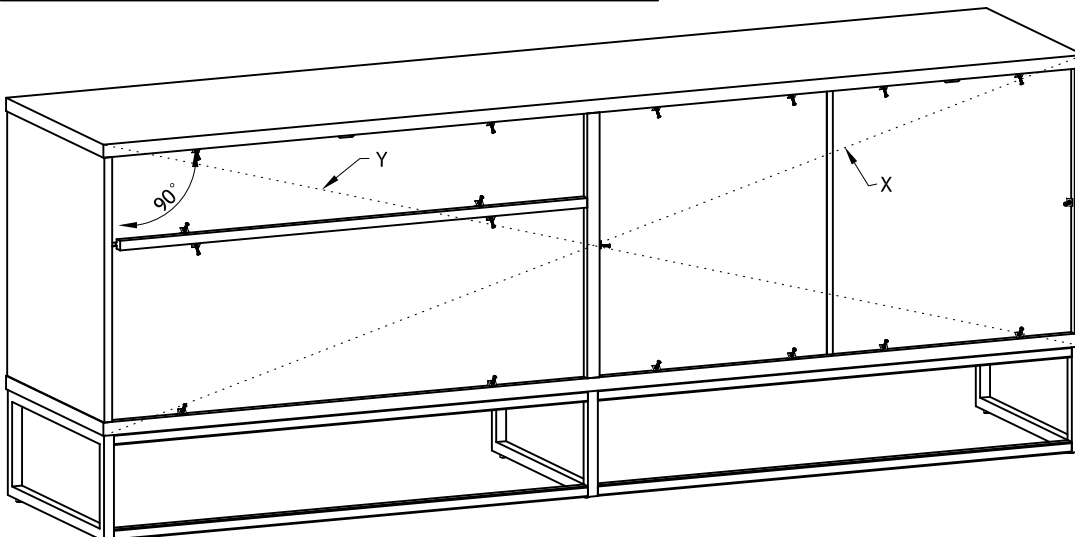
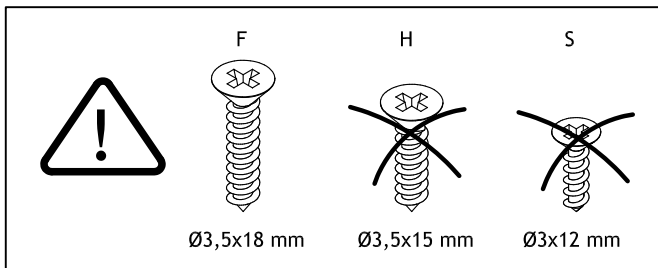
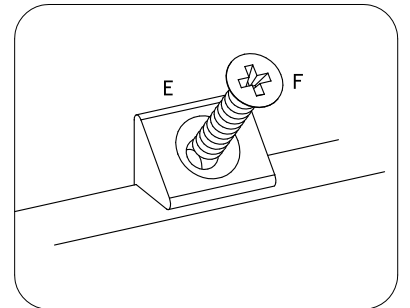
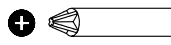
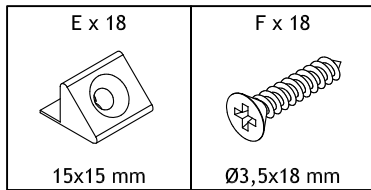
18



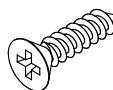
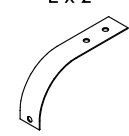
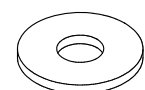
19

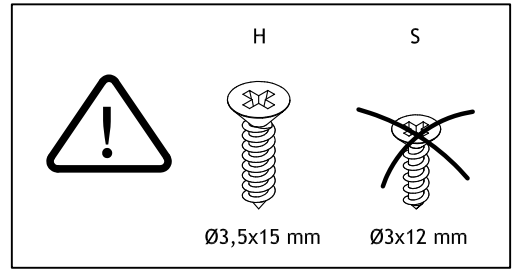
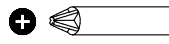


20

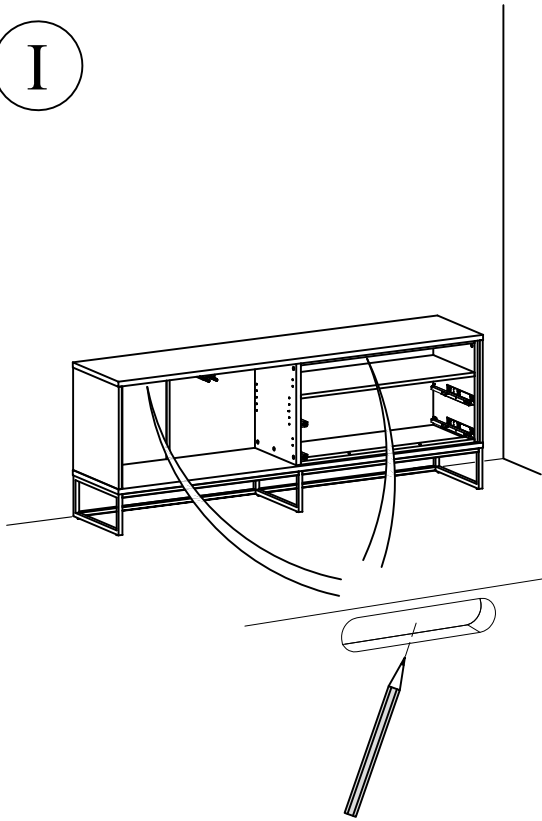


21

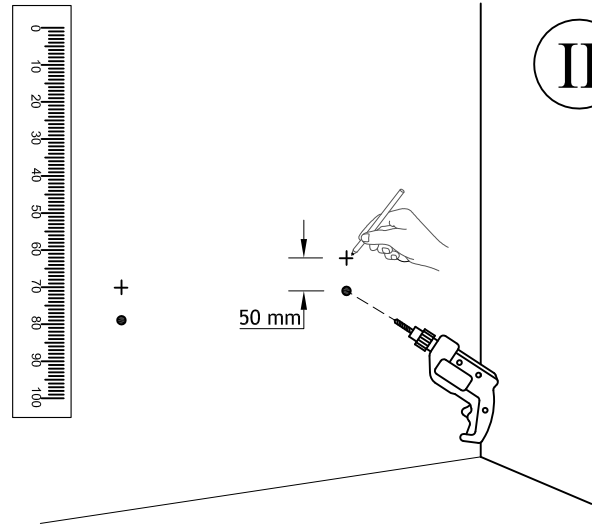
H x 4  Ø3,5x15 mm	L x 2  150x26 mm	M x 6  Ø4/Ø12 mm
--	--	---



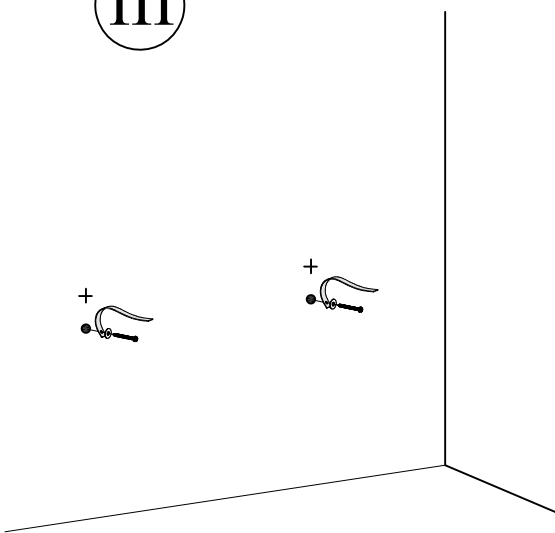
I



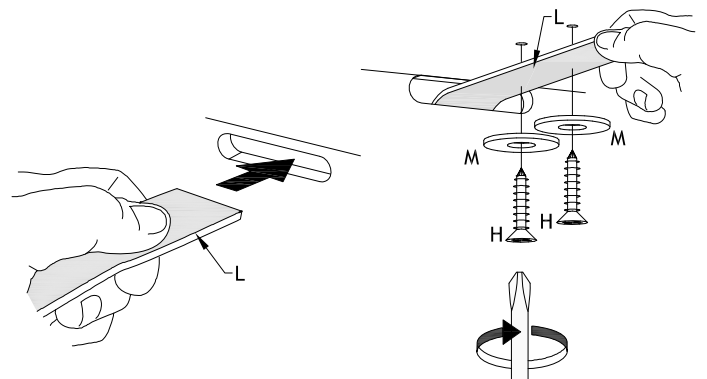
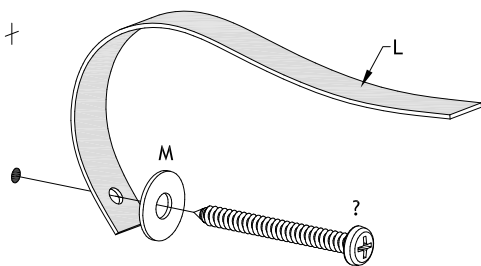
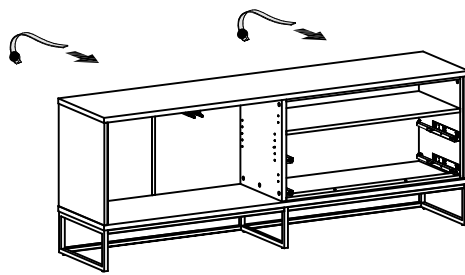
II



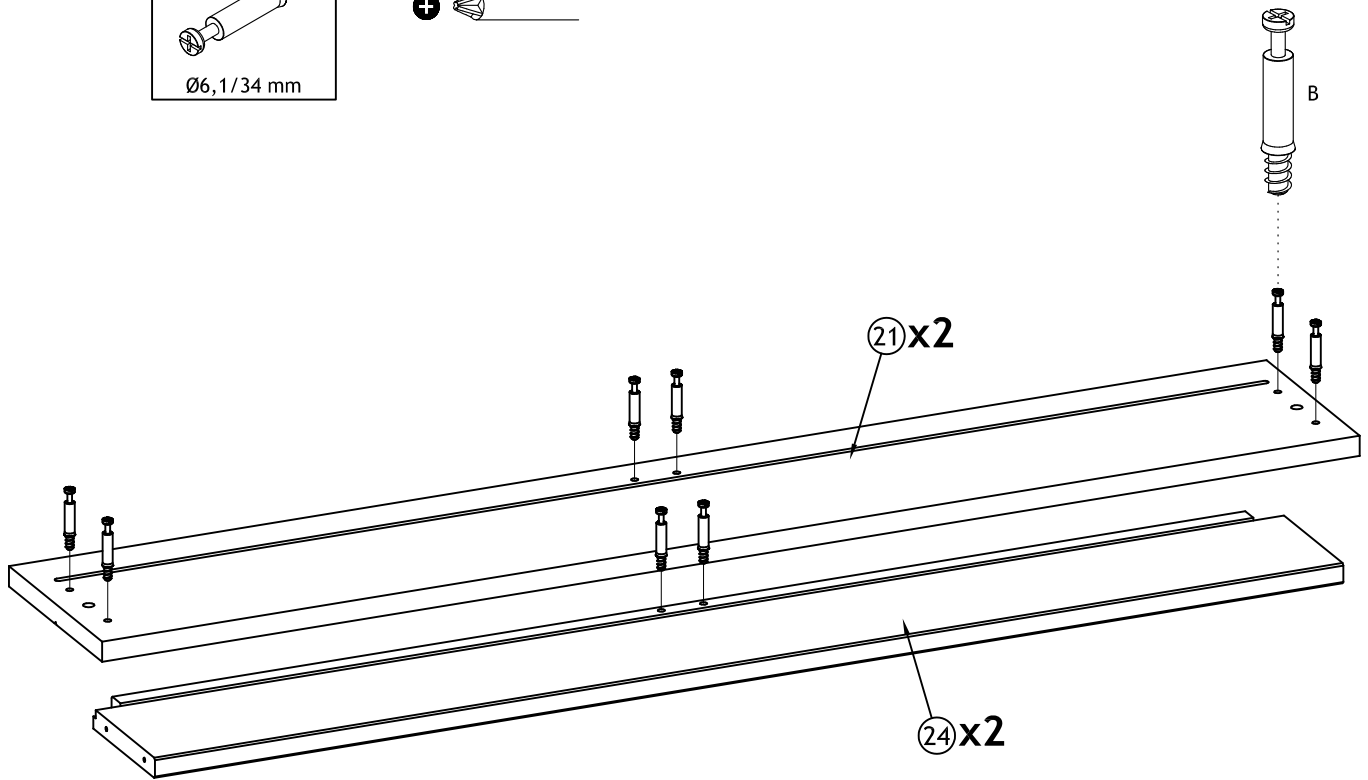
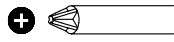
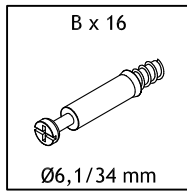
III



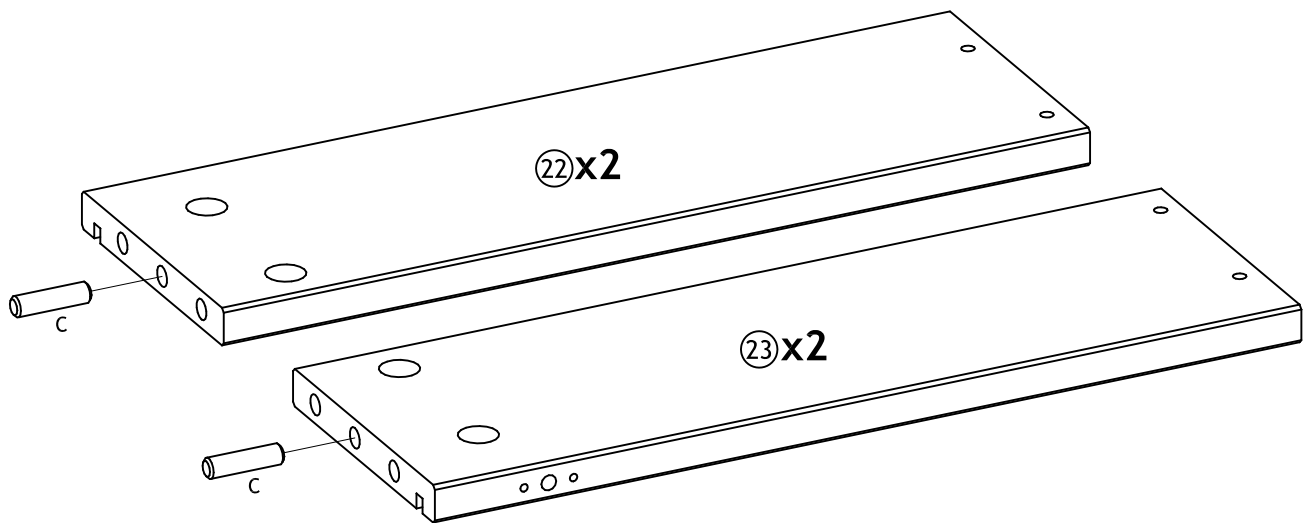
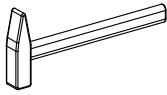
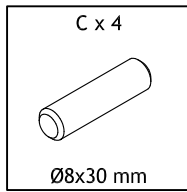
IV



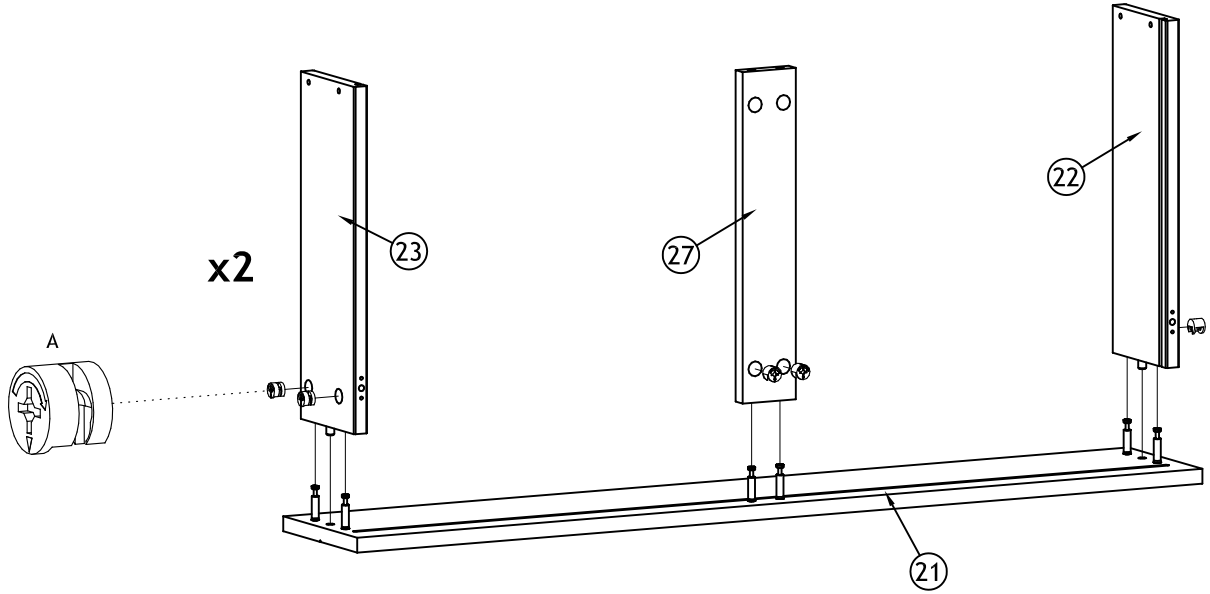
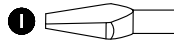
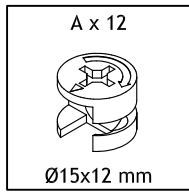
22



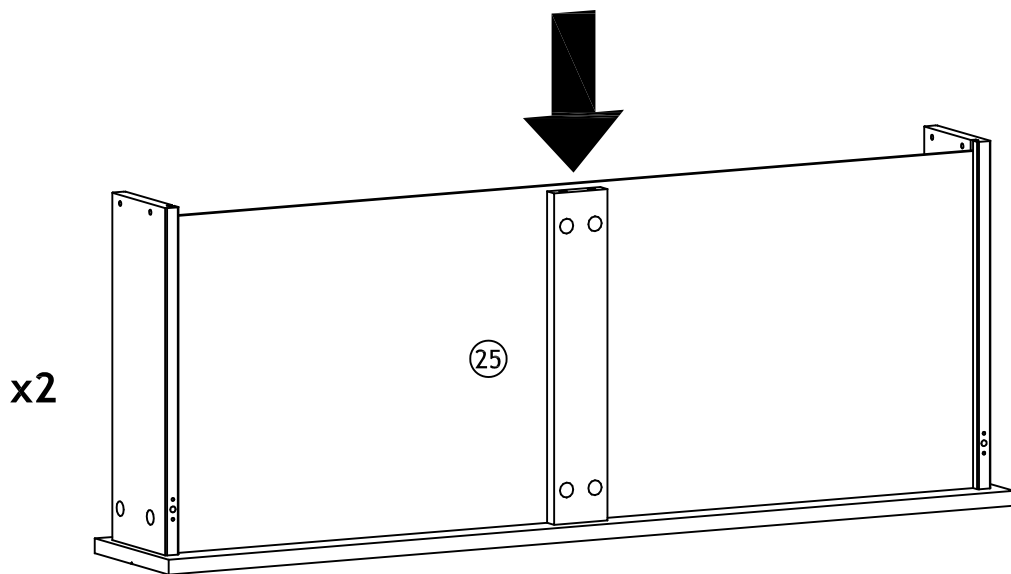
23



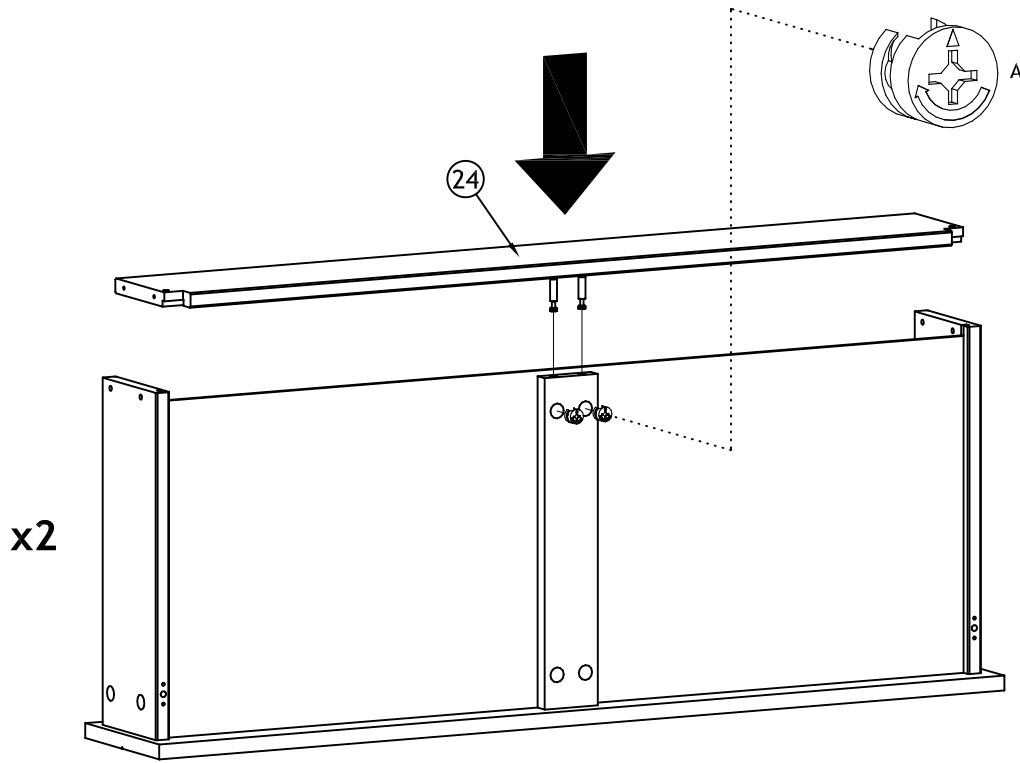
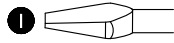
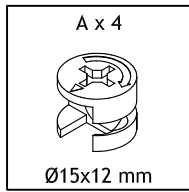
24



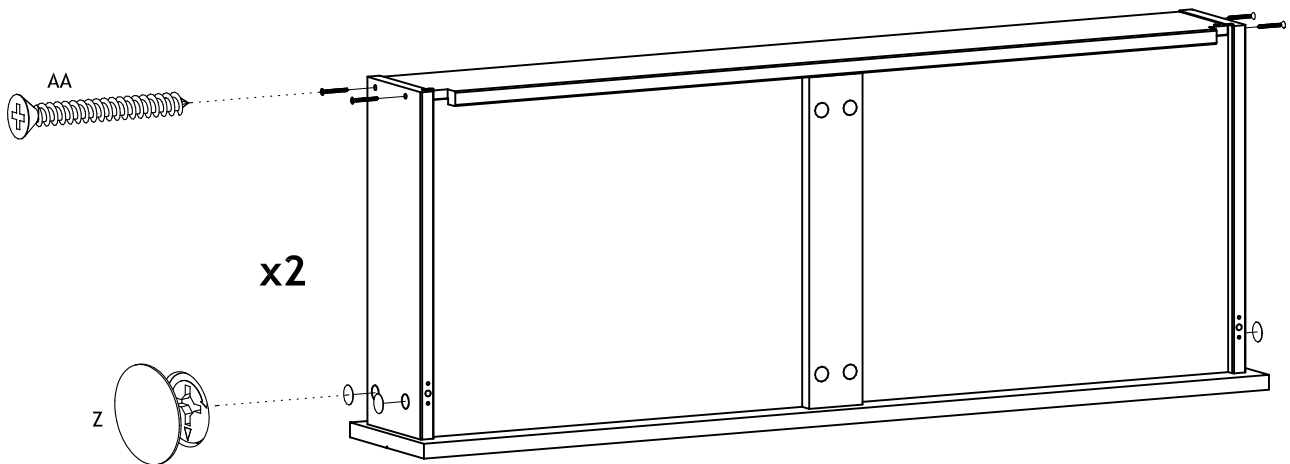
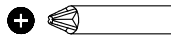
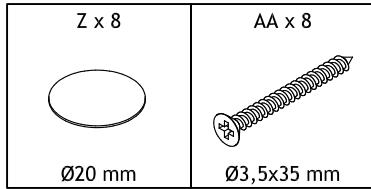
25



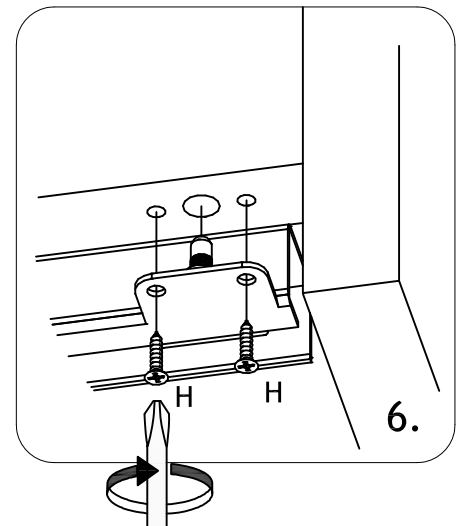
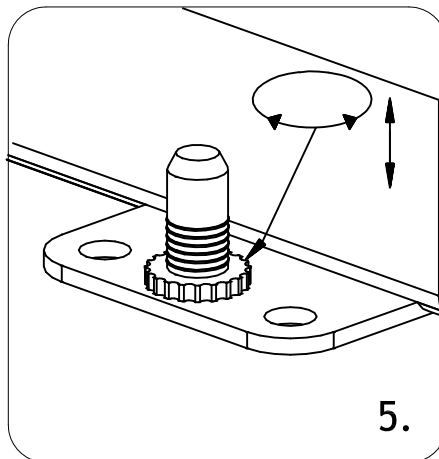
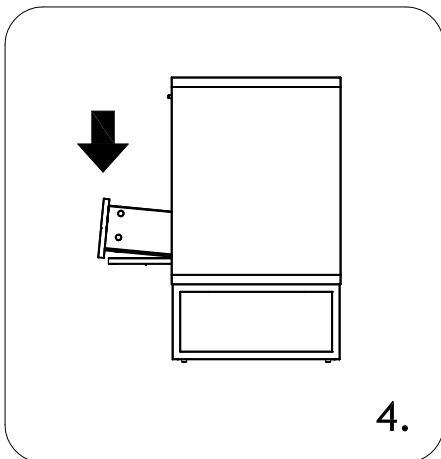
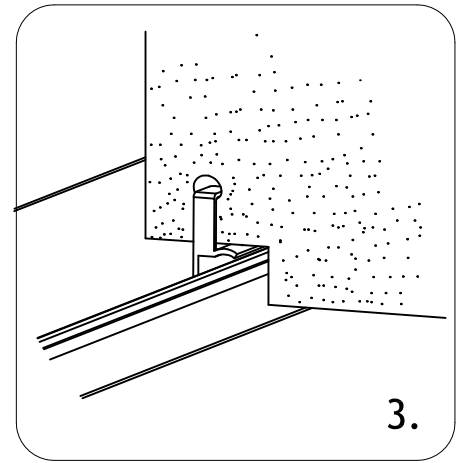
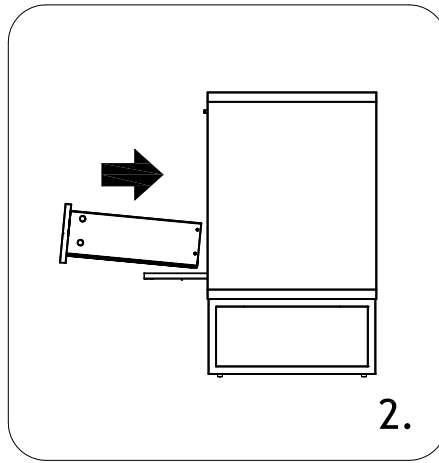
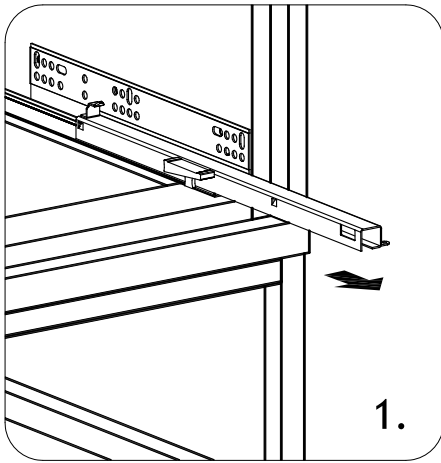
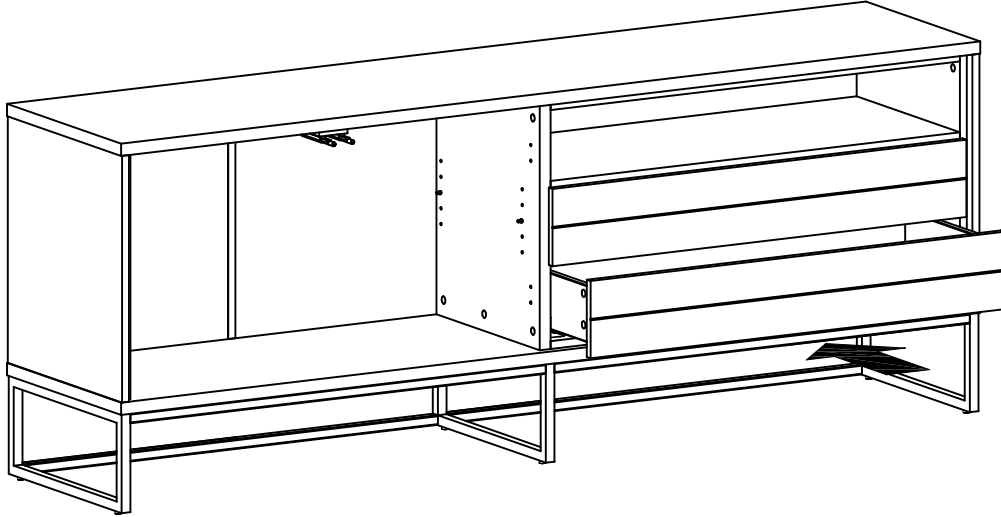
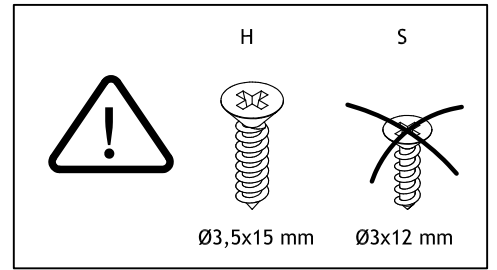
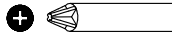
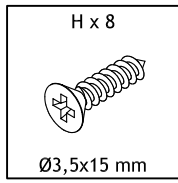
26



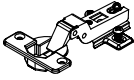
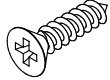
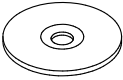
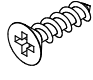
27

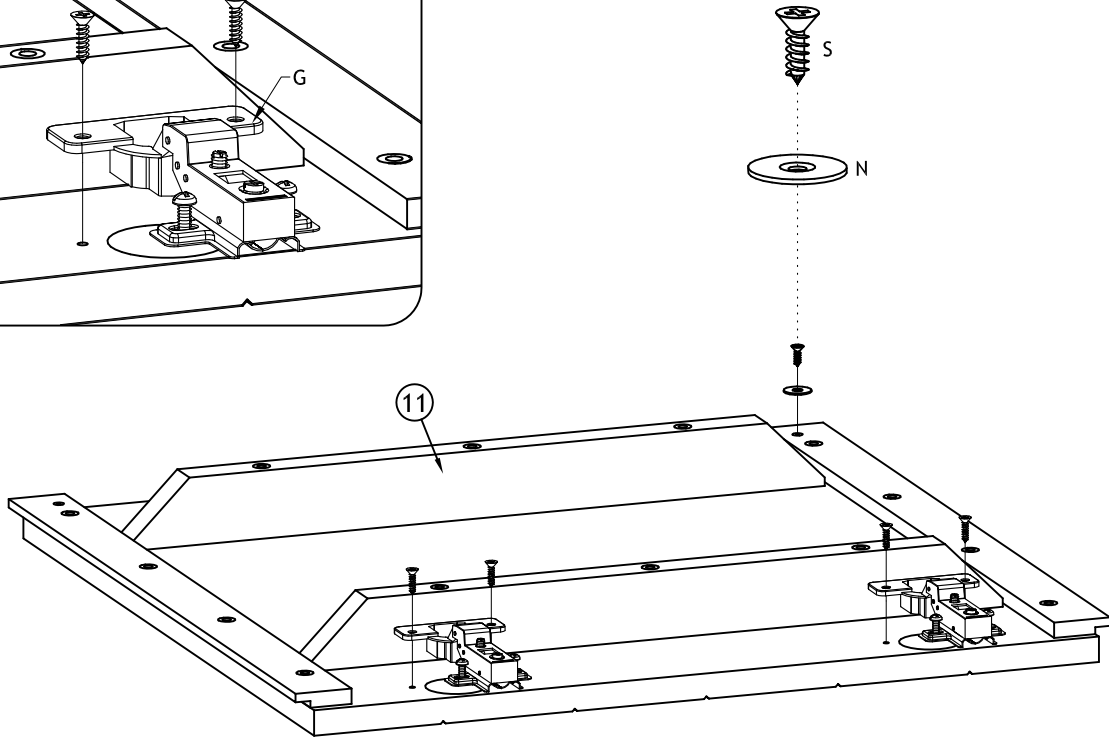
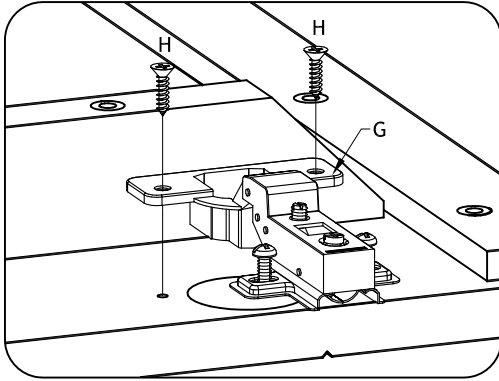
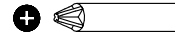


28

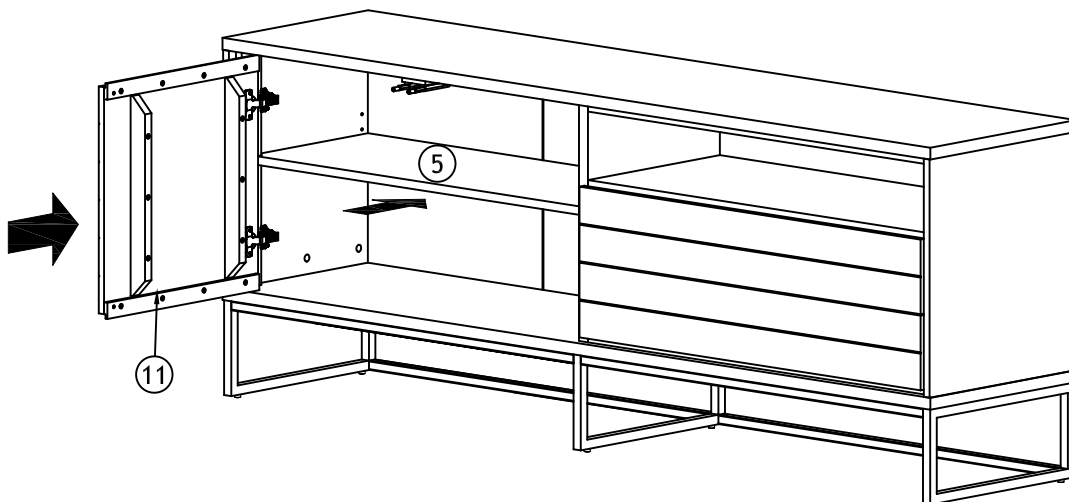
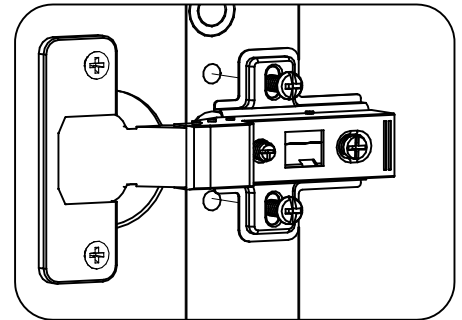


29

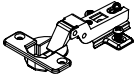
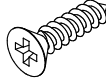
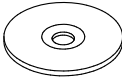
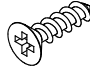
G x 2  Ø35, FK 9 mm	H x 4  Ø3,5x15 mm	N x 1  Ø16x0,8 mm	S x 1  Ø3x12 mm
--	--	--	--

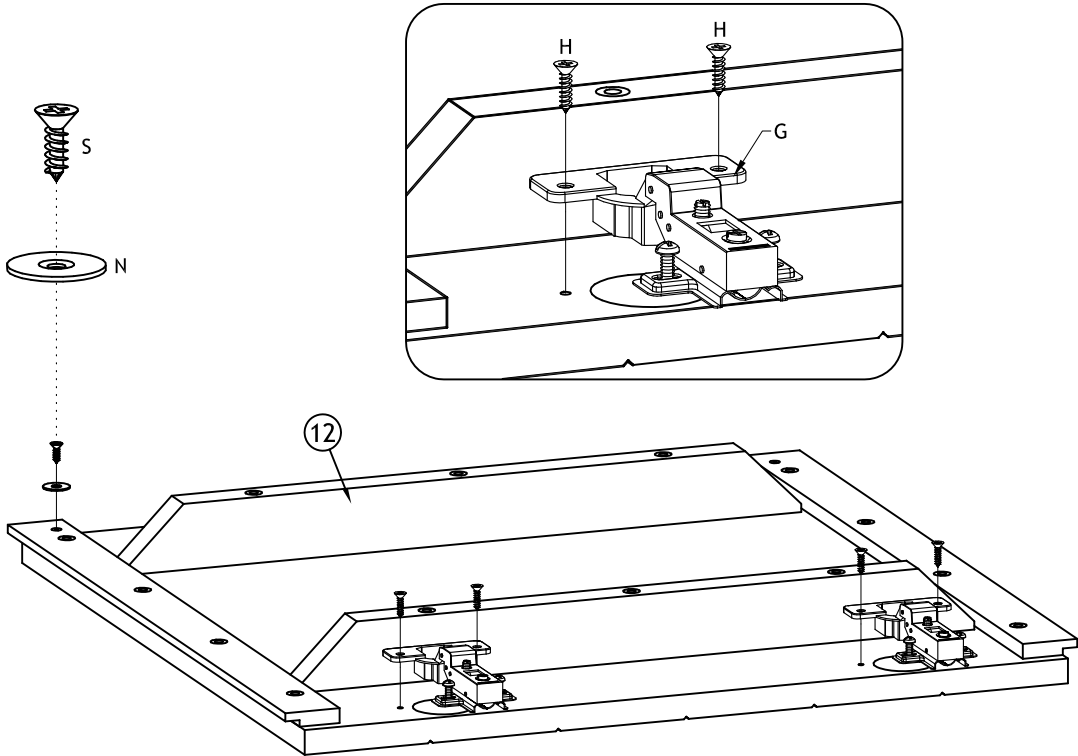
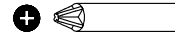


30

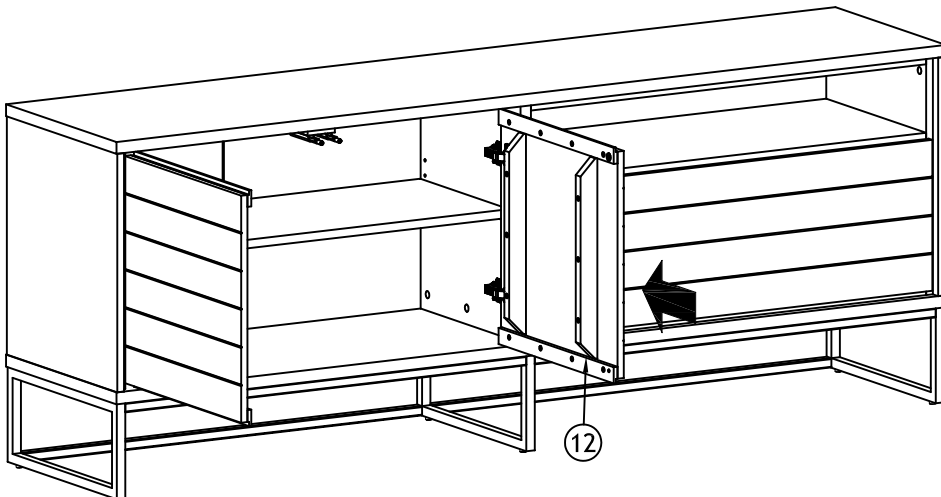
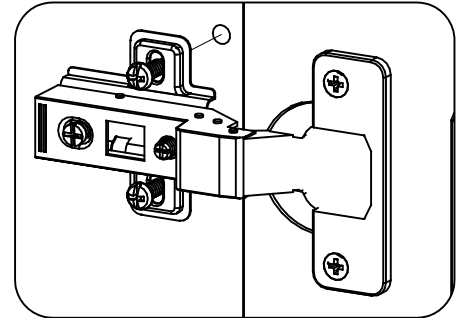
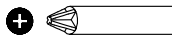


31

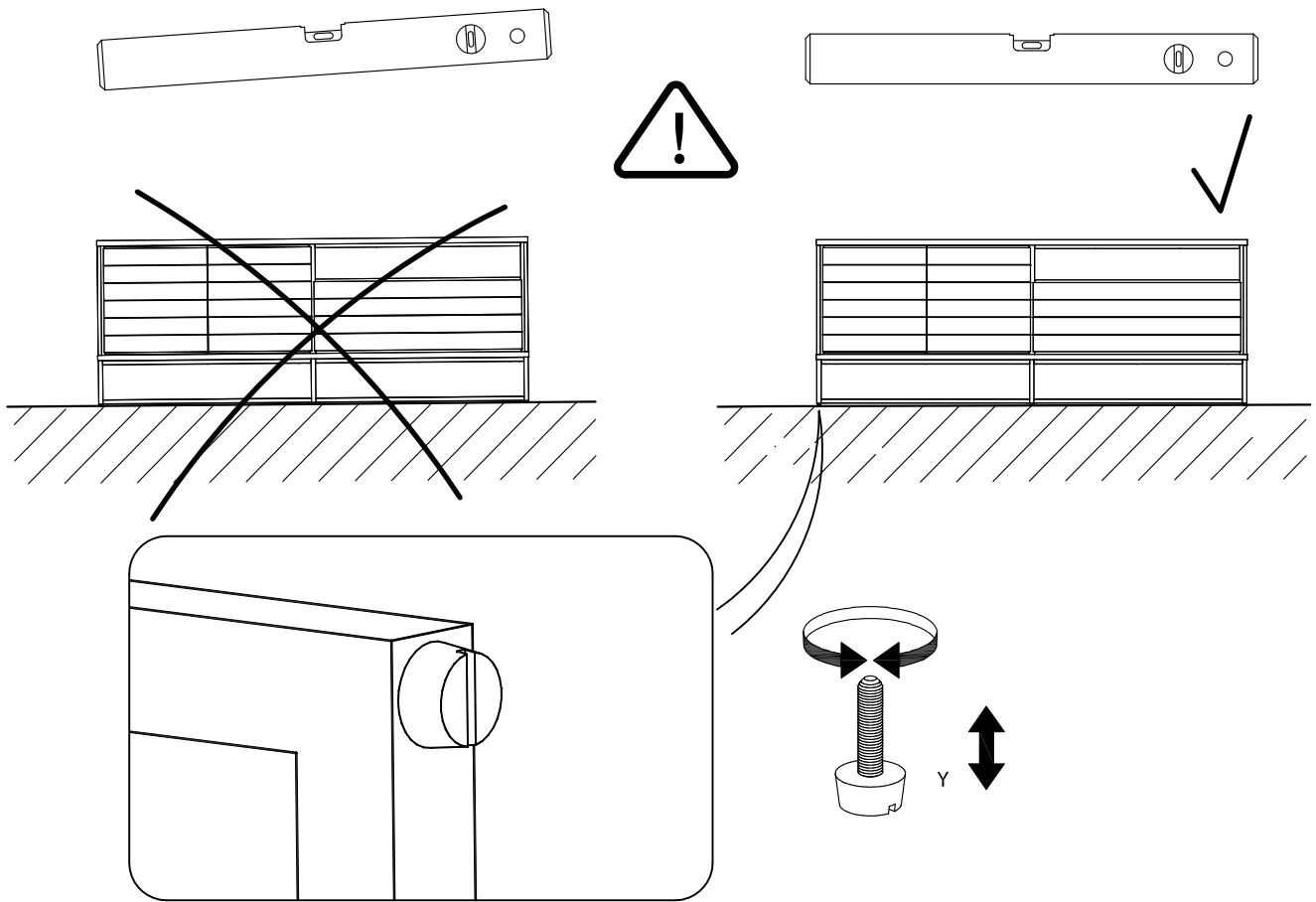
G x 2  Ø35, FK 9 mm	H x 4  Ø3,5x15 mm	N x 1  Ø16x0,8 mm	S x 1  Ø3x12 mm
--	--	--	--



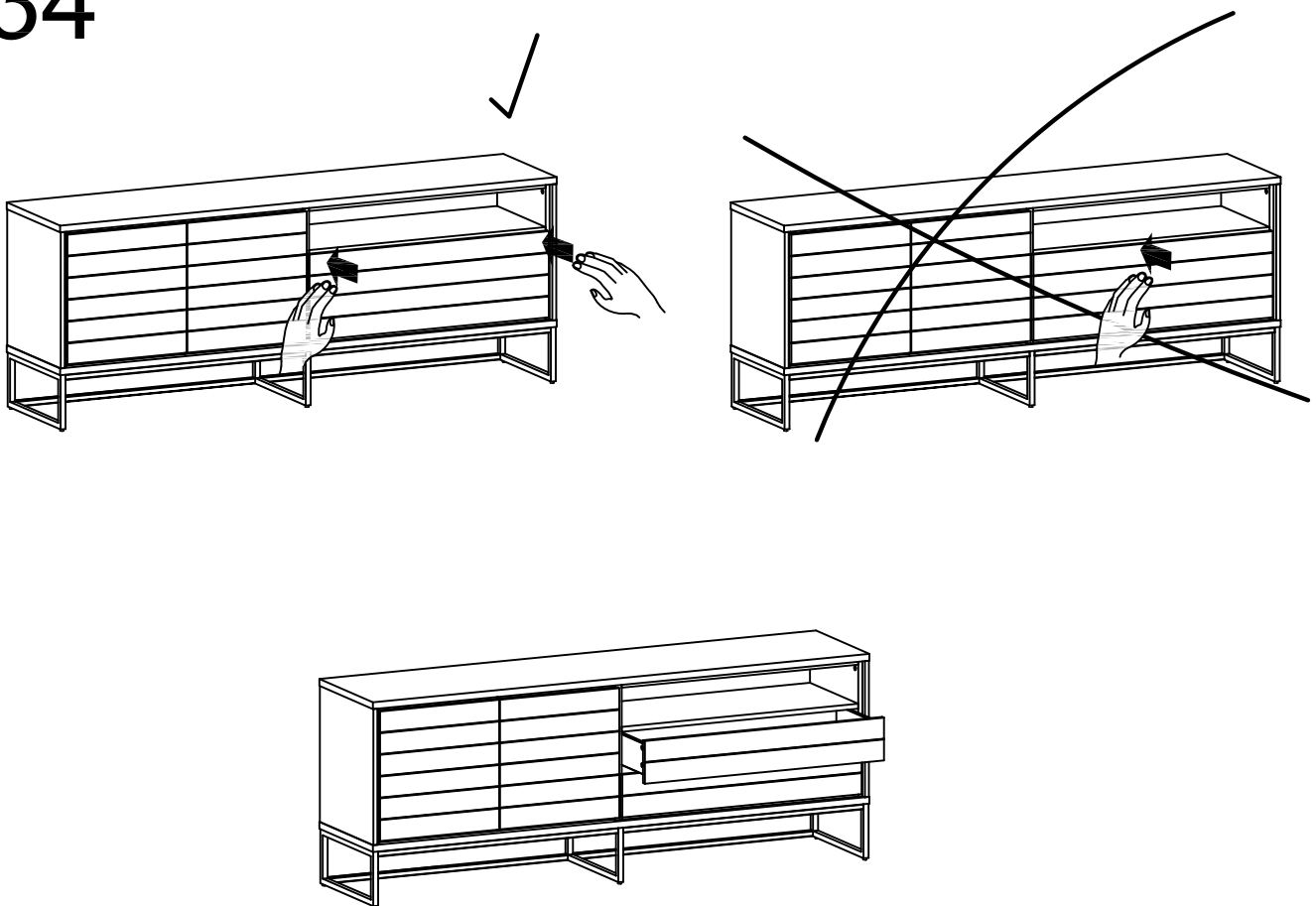
32

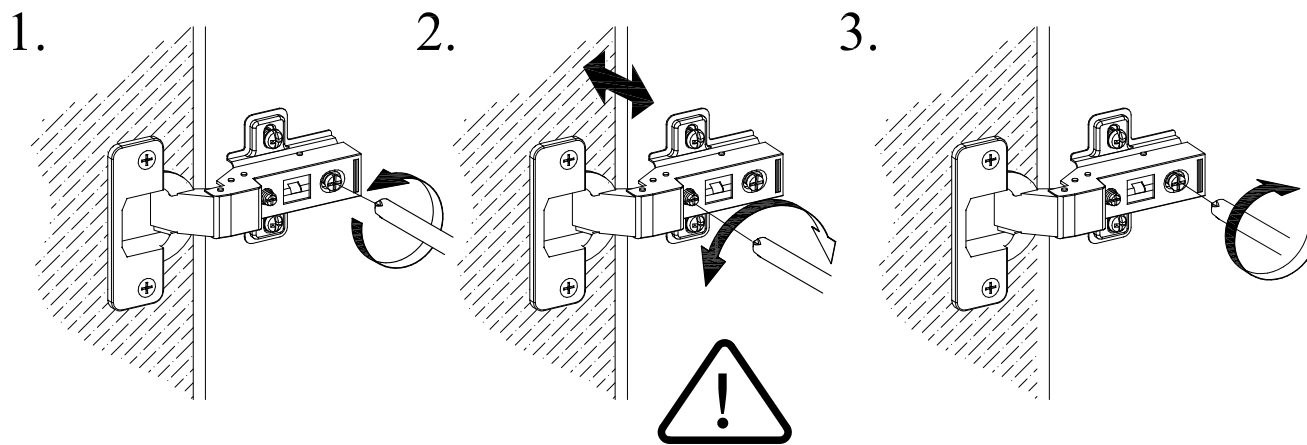
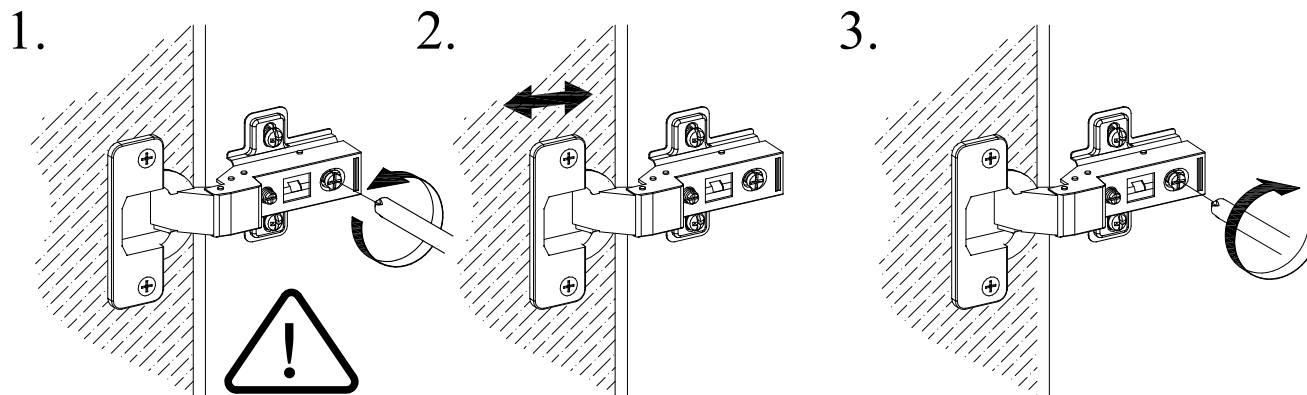
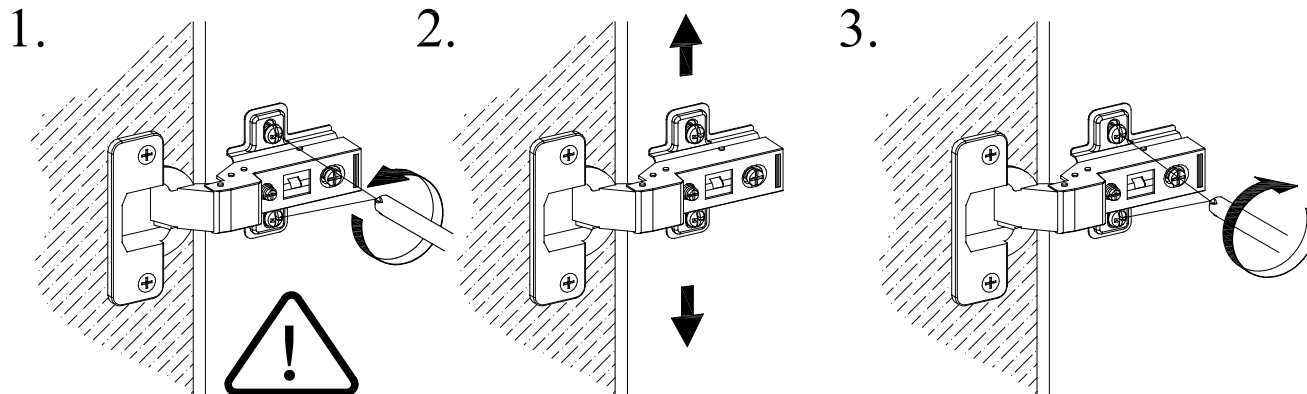
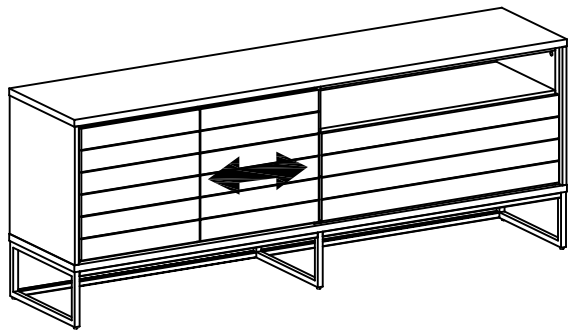
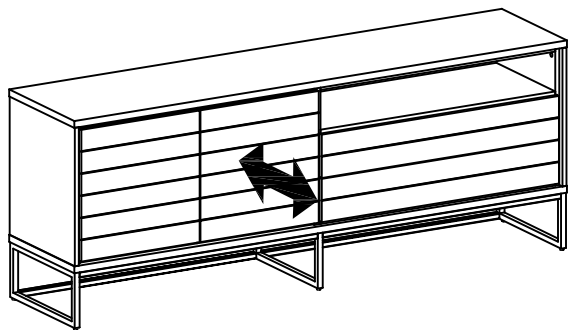
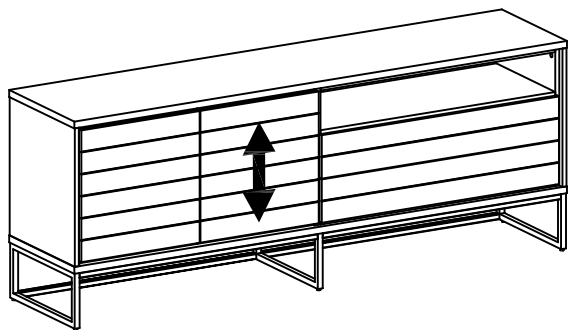


33

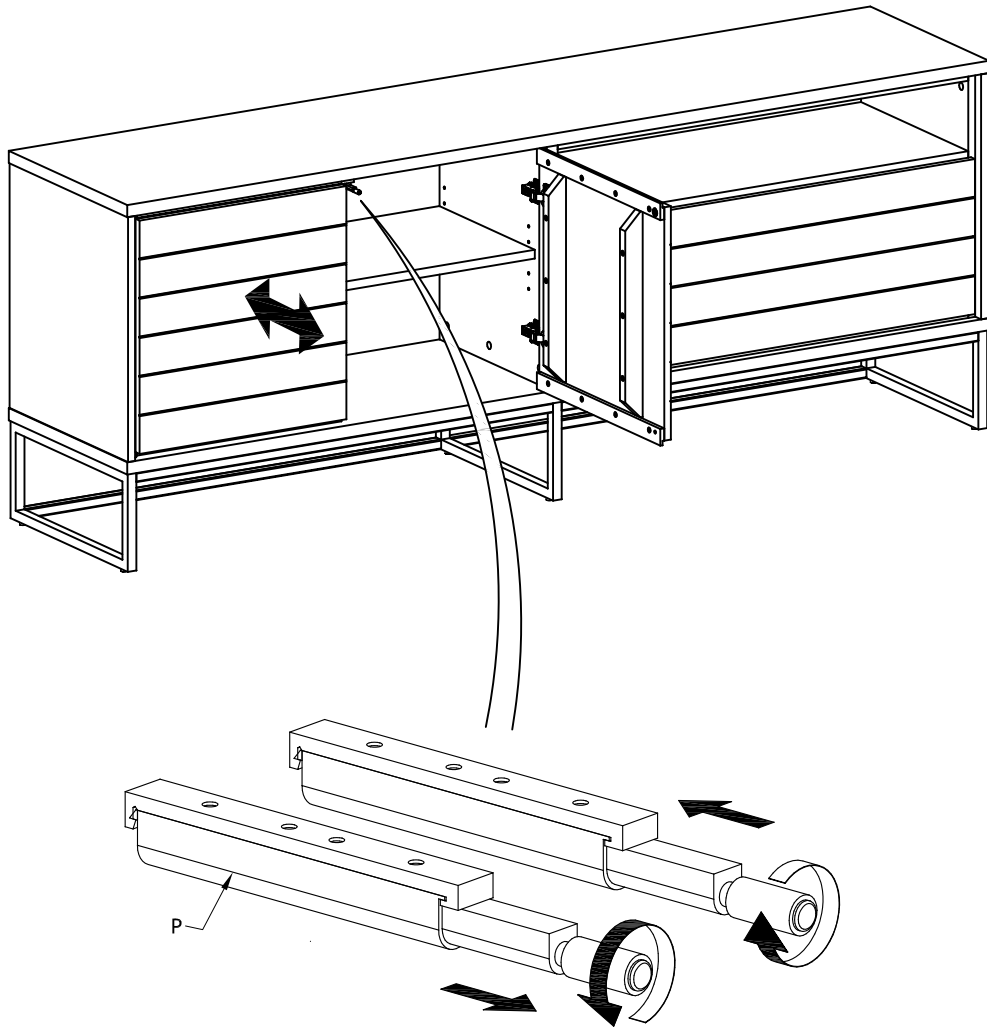


34





36



37

