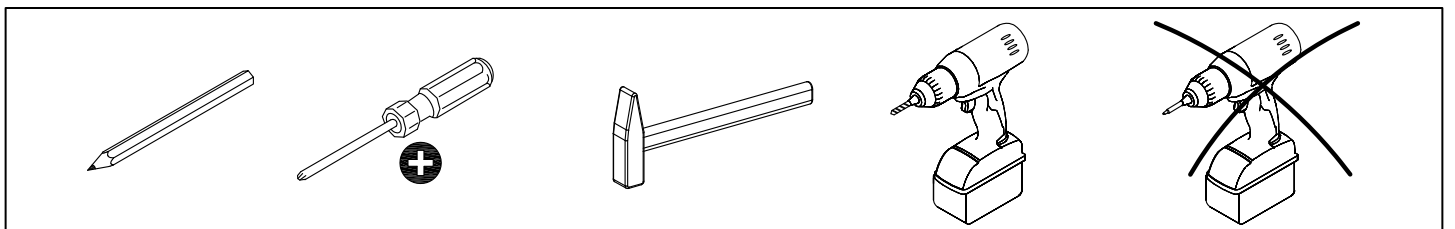
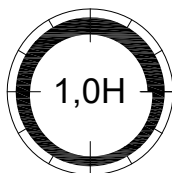
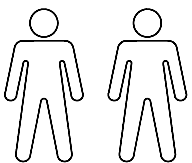
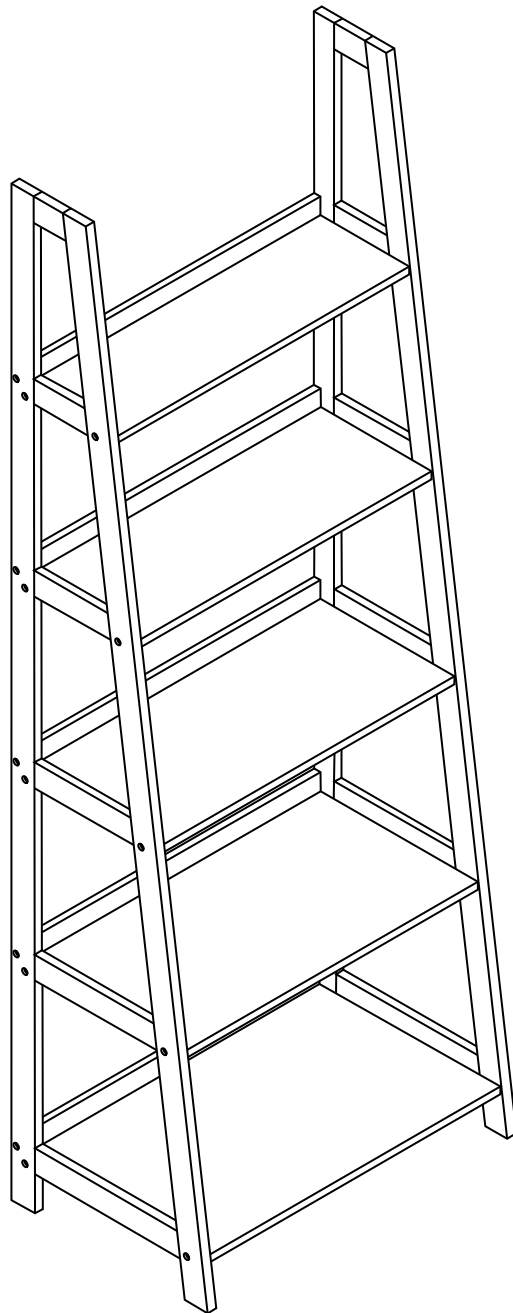
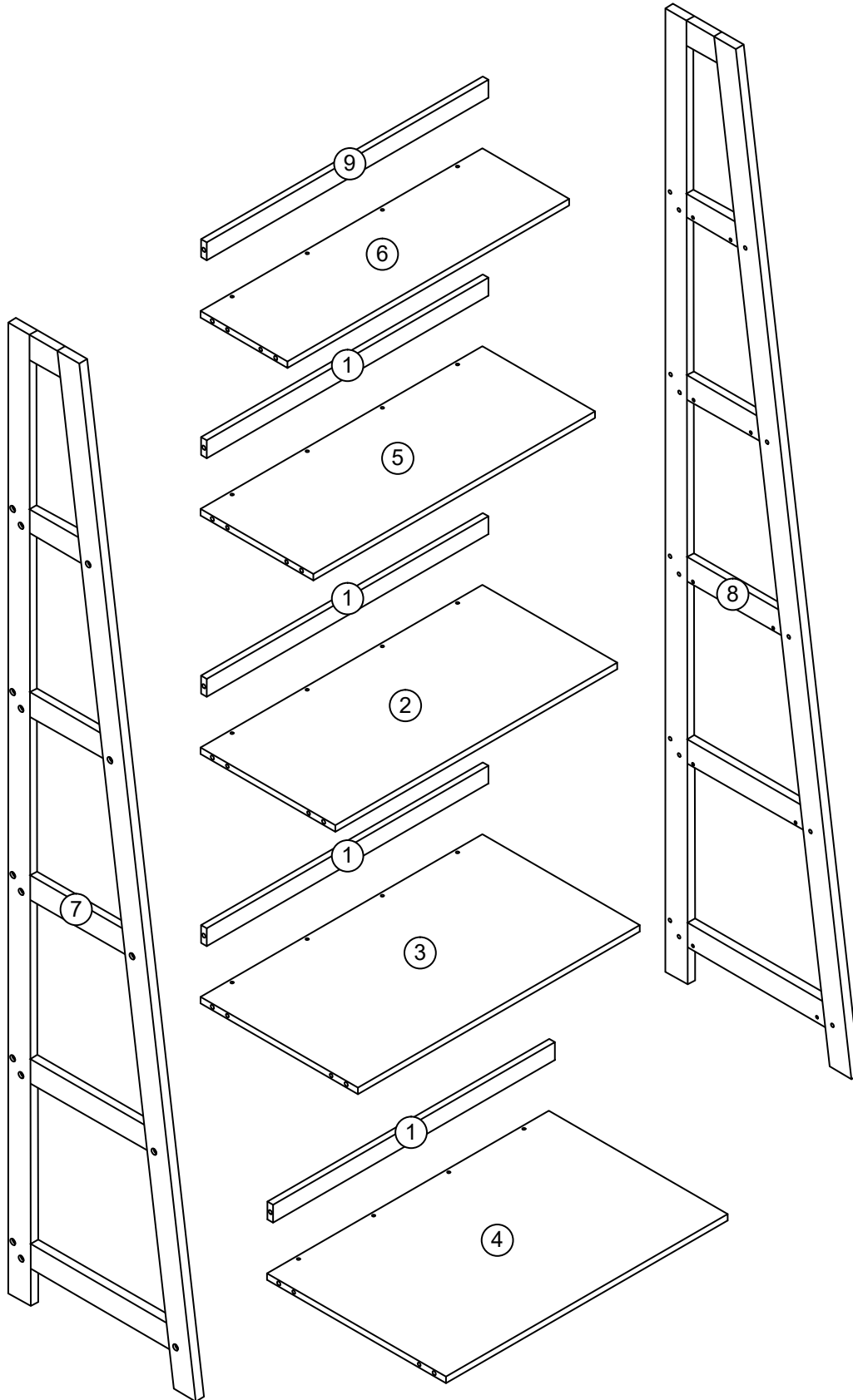


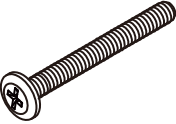
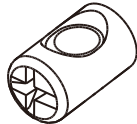

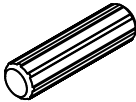
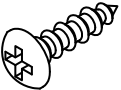
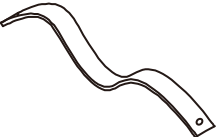

WALLY



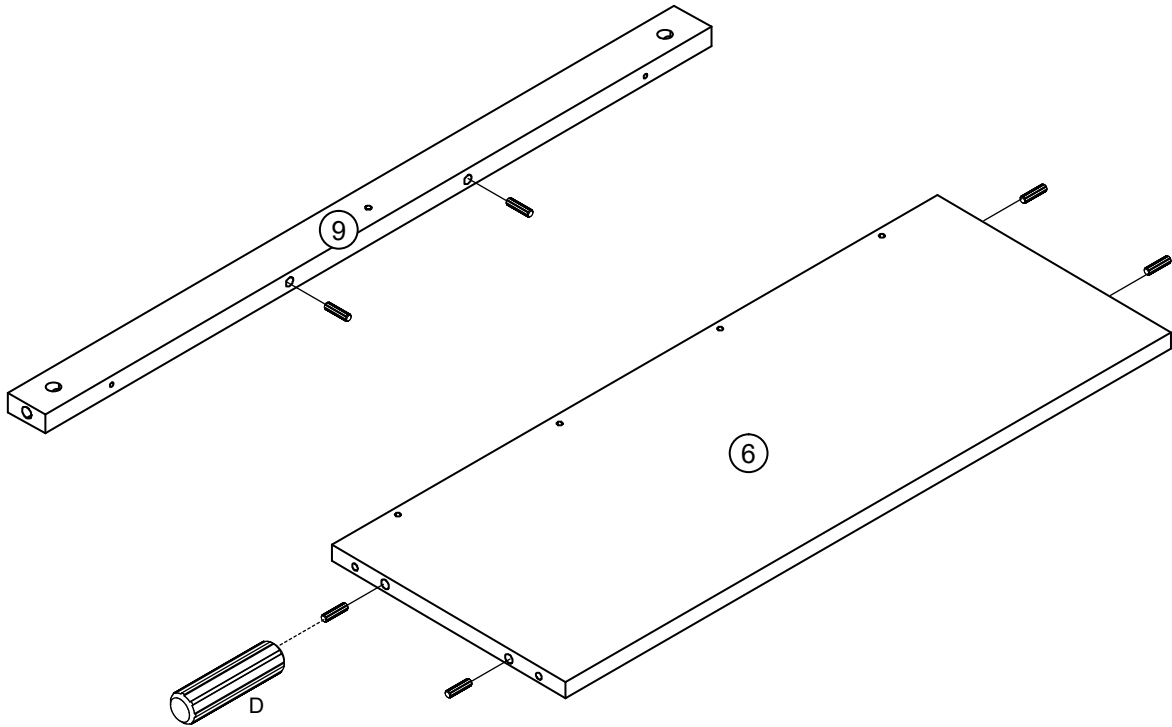
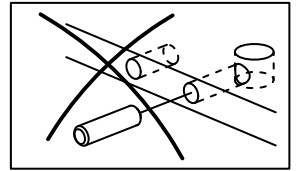
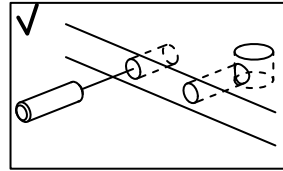
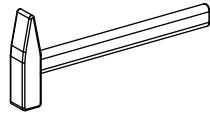
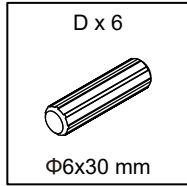
			✓
①	4	595x32x12	
②	1	595x288x12	
③	1	595x335x12	
④	1	595x380x12	
⑤	1	595x240x12	

			✓
⑥	1	595x195x12	
⑦	1	1800x400x18	
⑧	1	1800x400x18	
⑨	1	595x32x12	

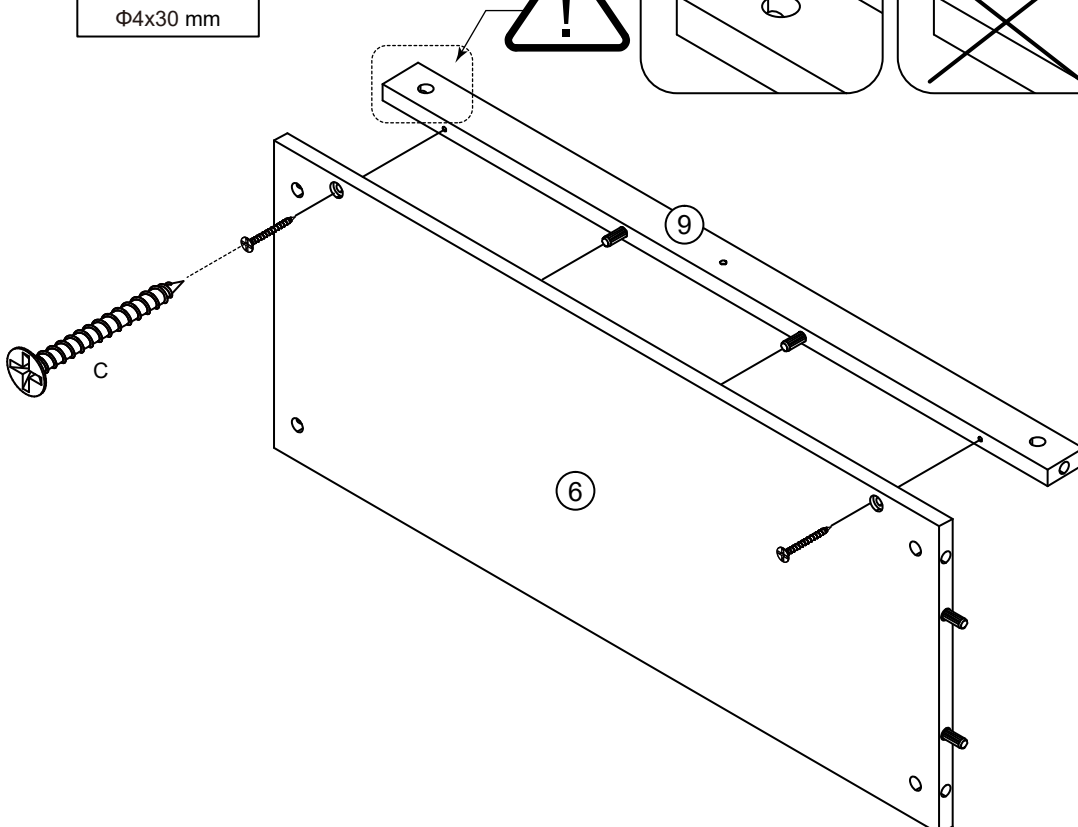
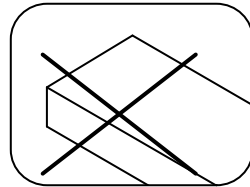
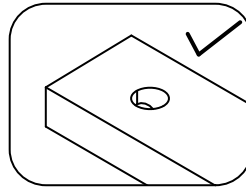
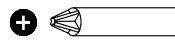
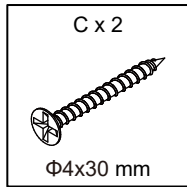


<p>A x 30</p>  <p>M6x45 mm</p>	<p>B x 30</p>  <p>Φ10x10 mm</p>	<p>C x 10</p>  <p>Φ4X30 mm</p>	<p>D x 30</p>  <p>Φ6x30 mm</p>	<p>E x 1</p>  <p>Φ4x12 mm</p>
<p>F x 1</p>  <p>150x25x1 mm</p>	<p>G x 2</p>  <p>Φ16/Φ6 mm</p>			

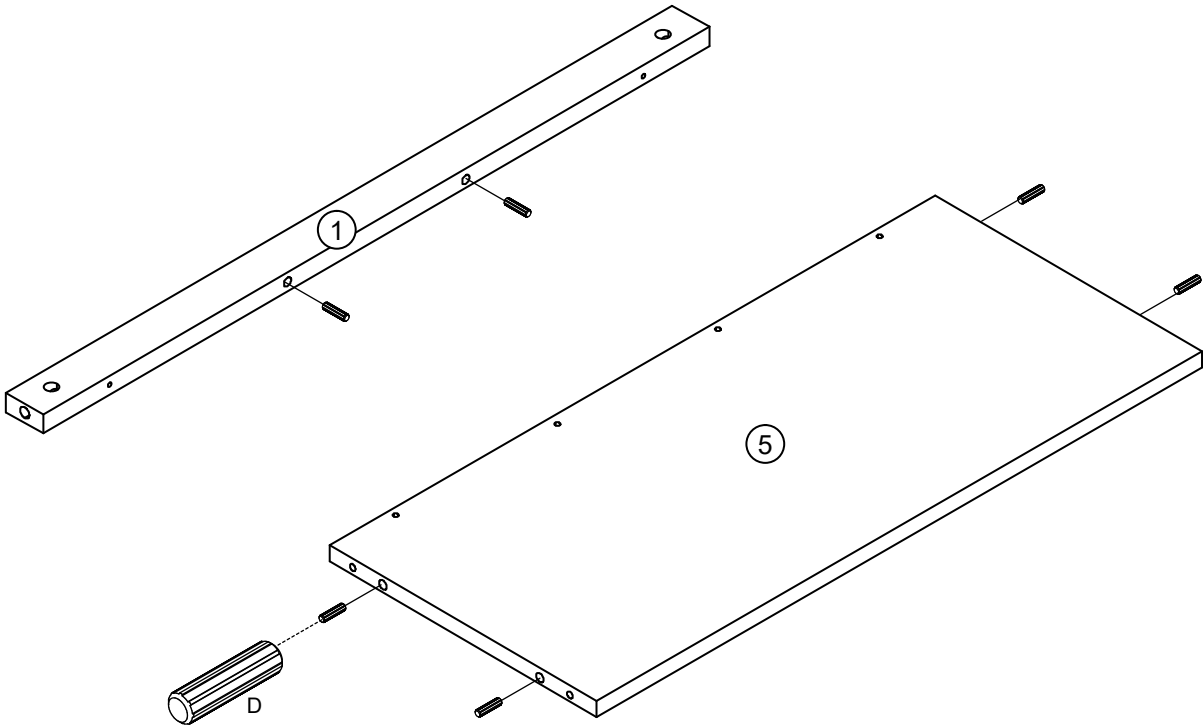
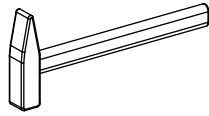
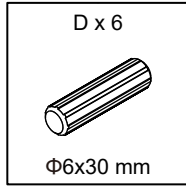
1



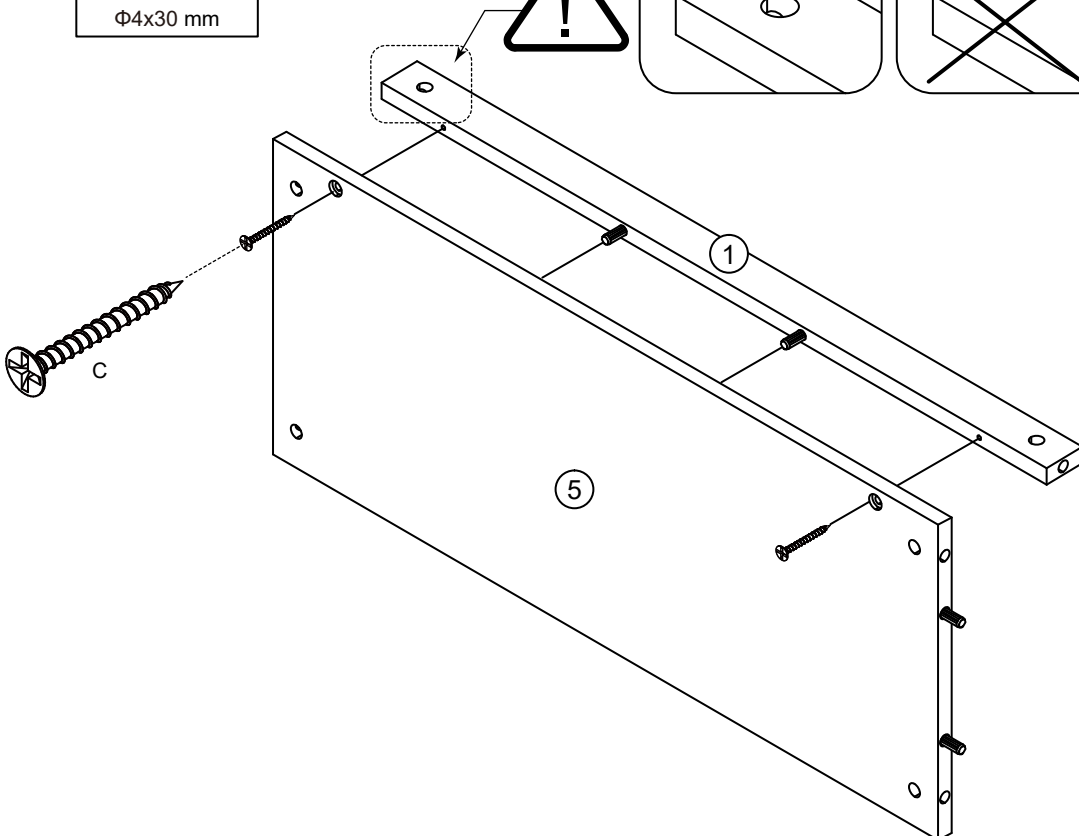
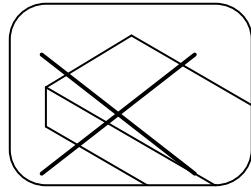
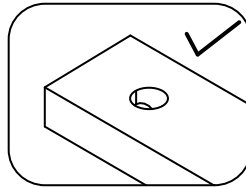
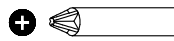
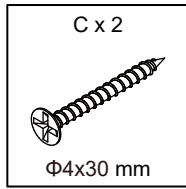
2



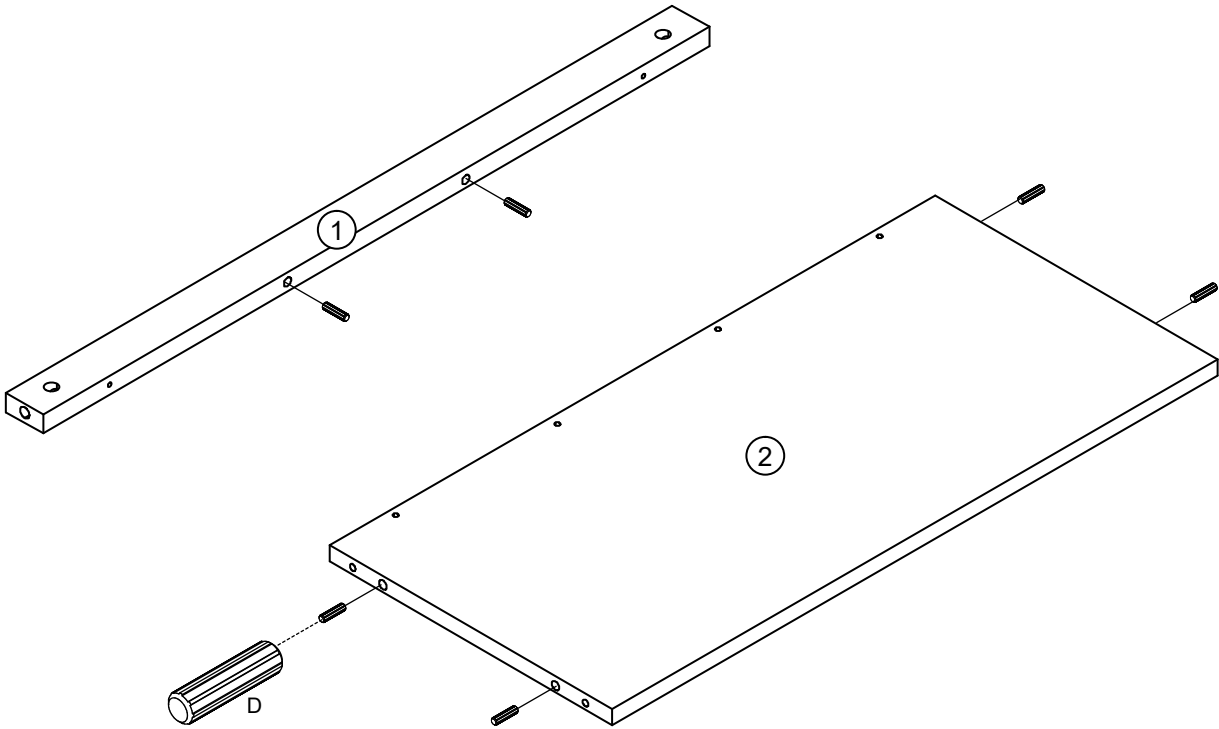
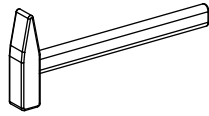
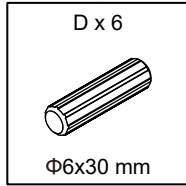
3



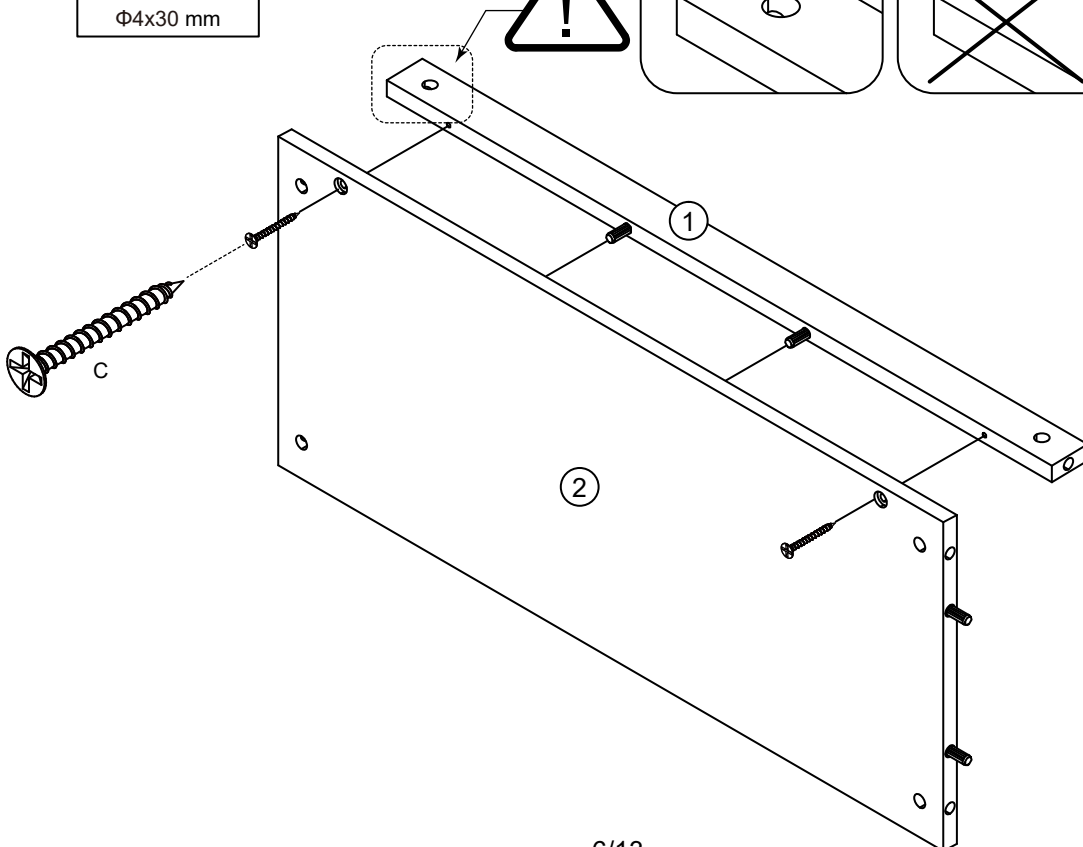
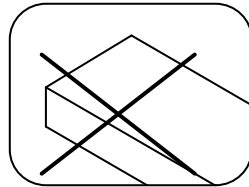
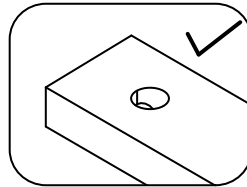
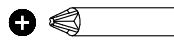
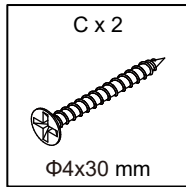
4



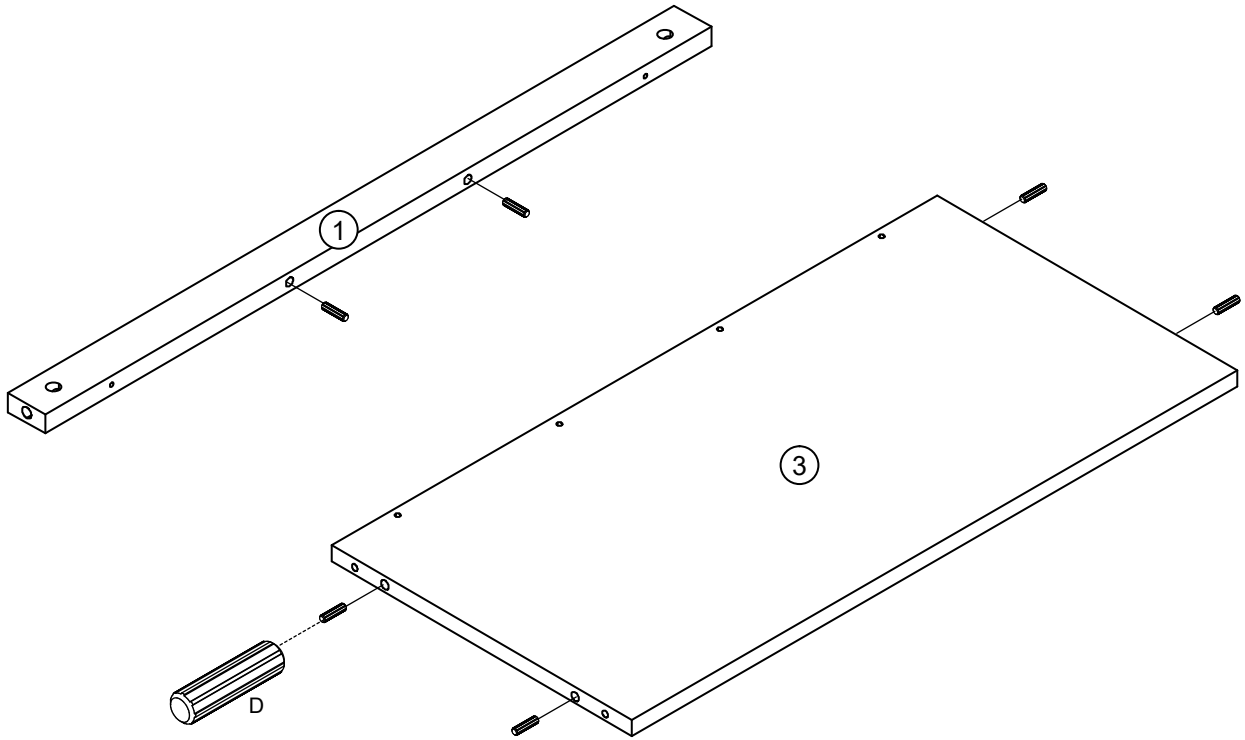
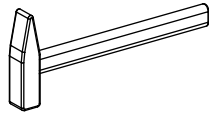
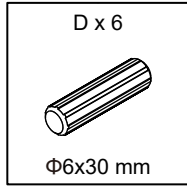
5



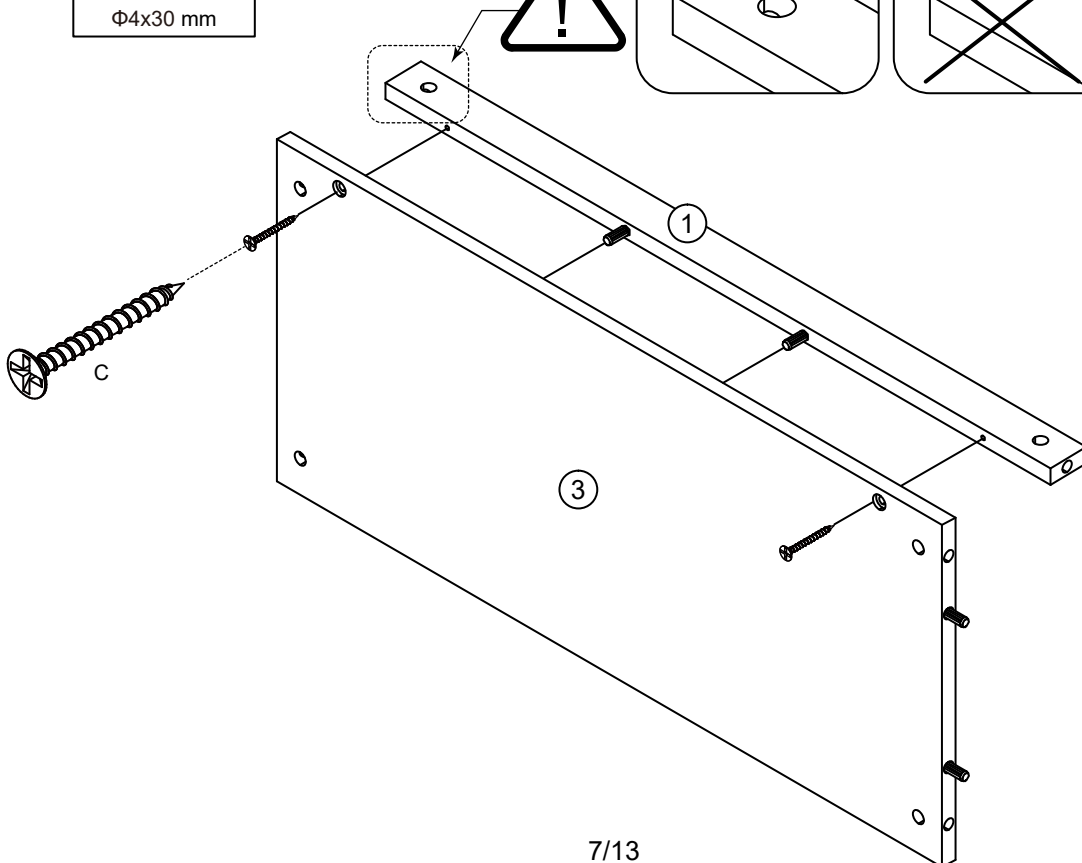
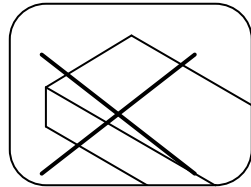
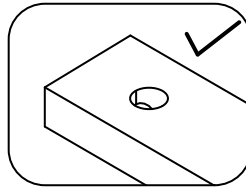
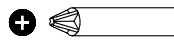
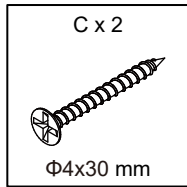
6



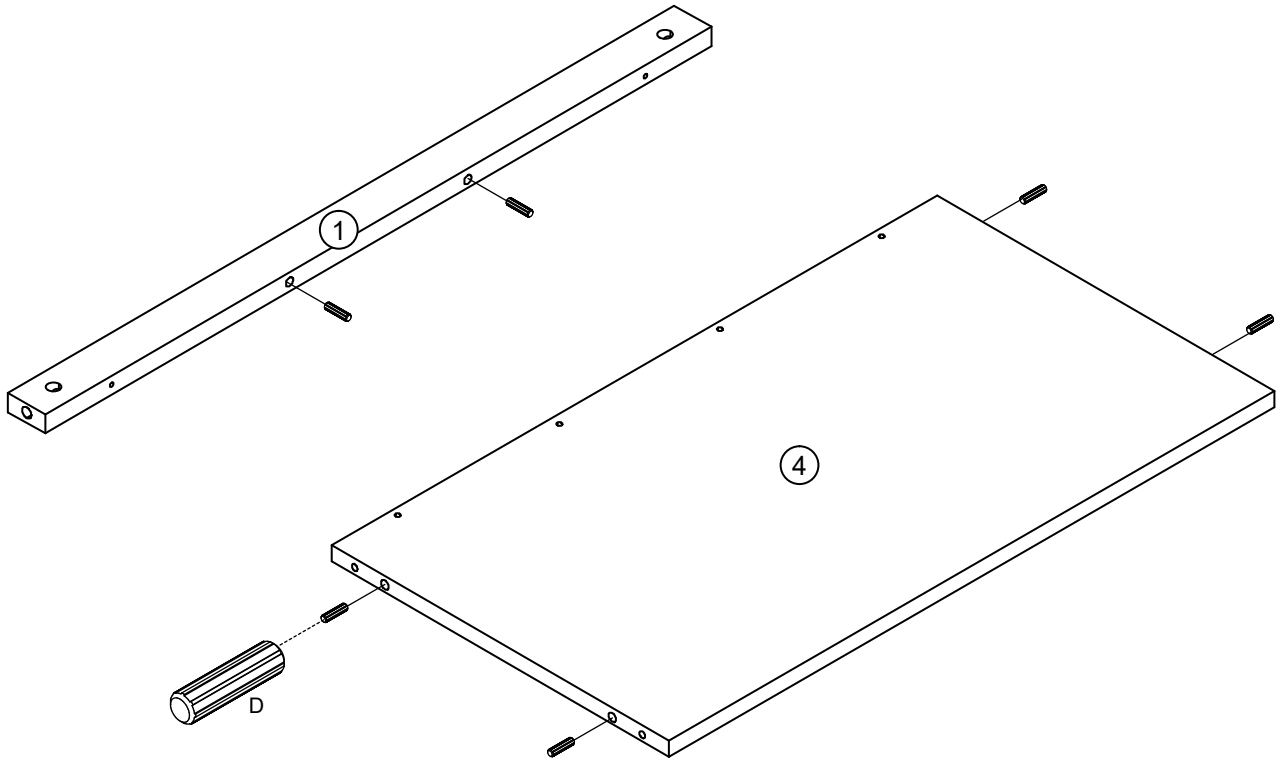
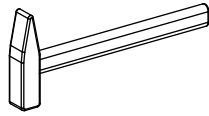
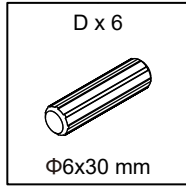
7



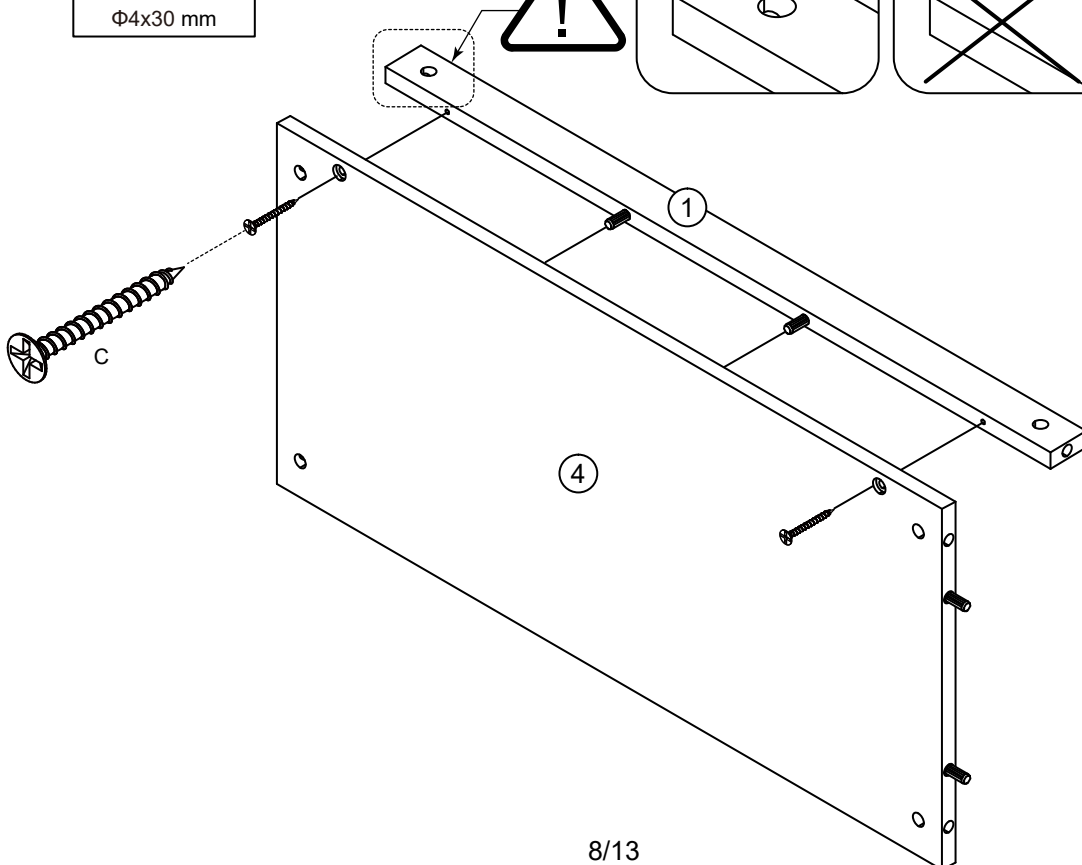
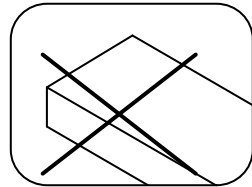
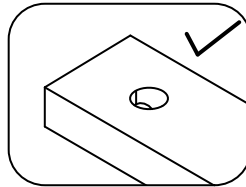
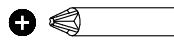
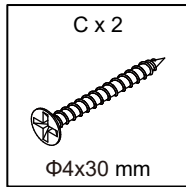
8



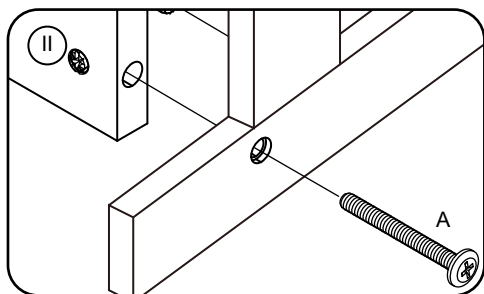
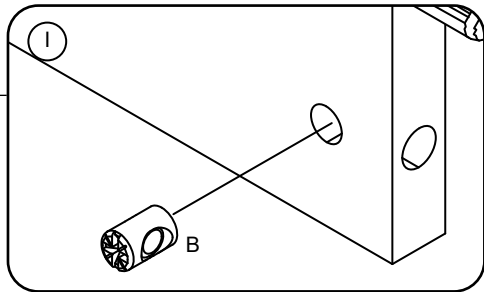
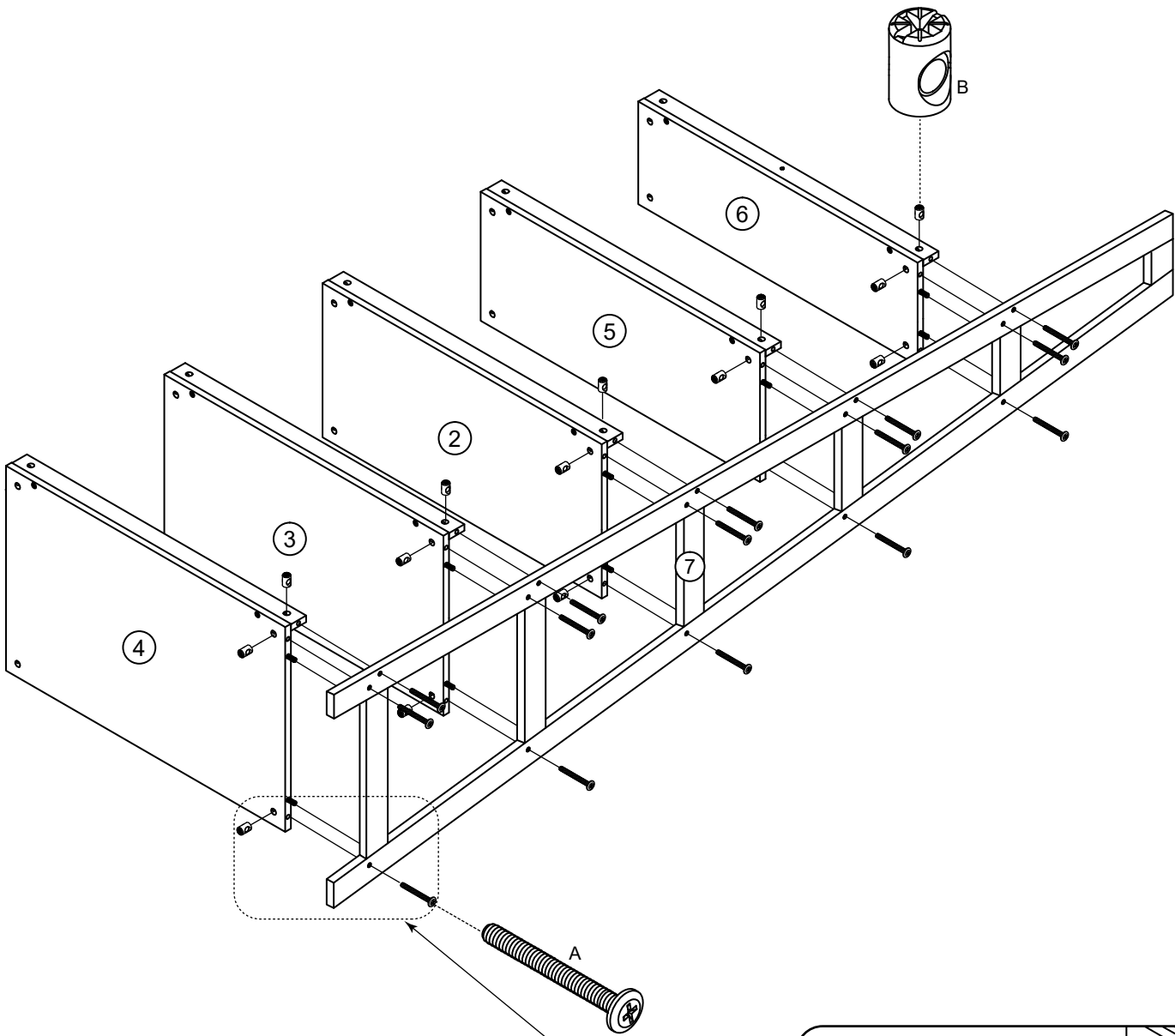
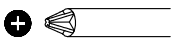
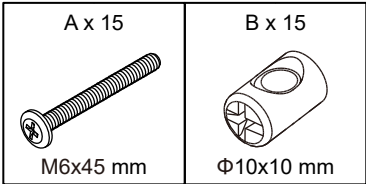
9



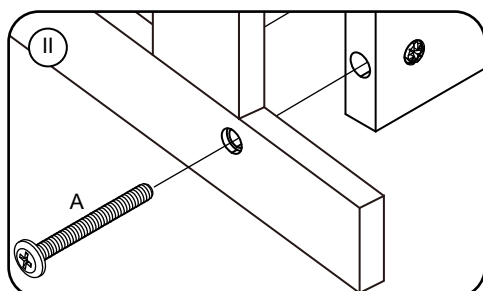
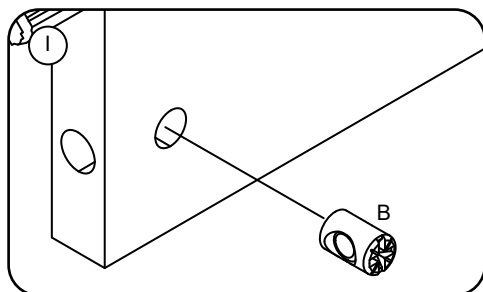
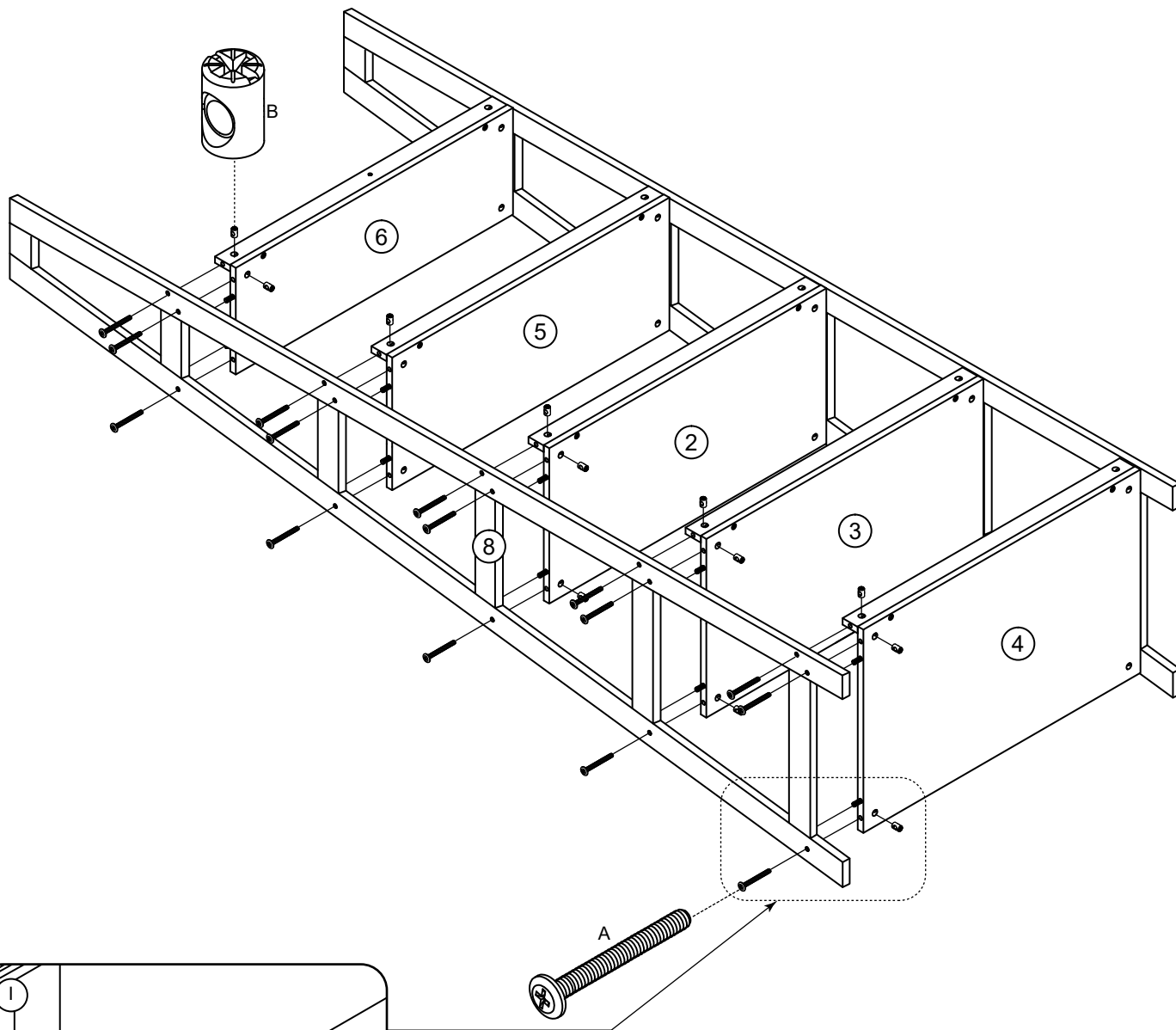
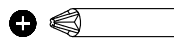
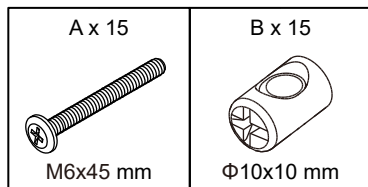
10



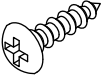


11

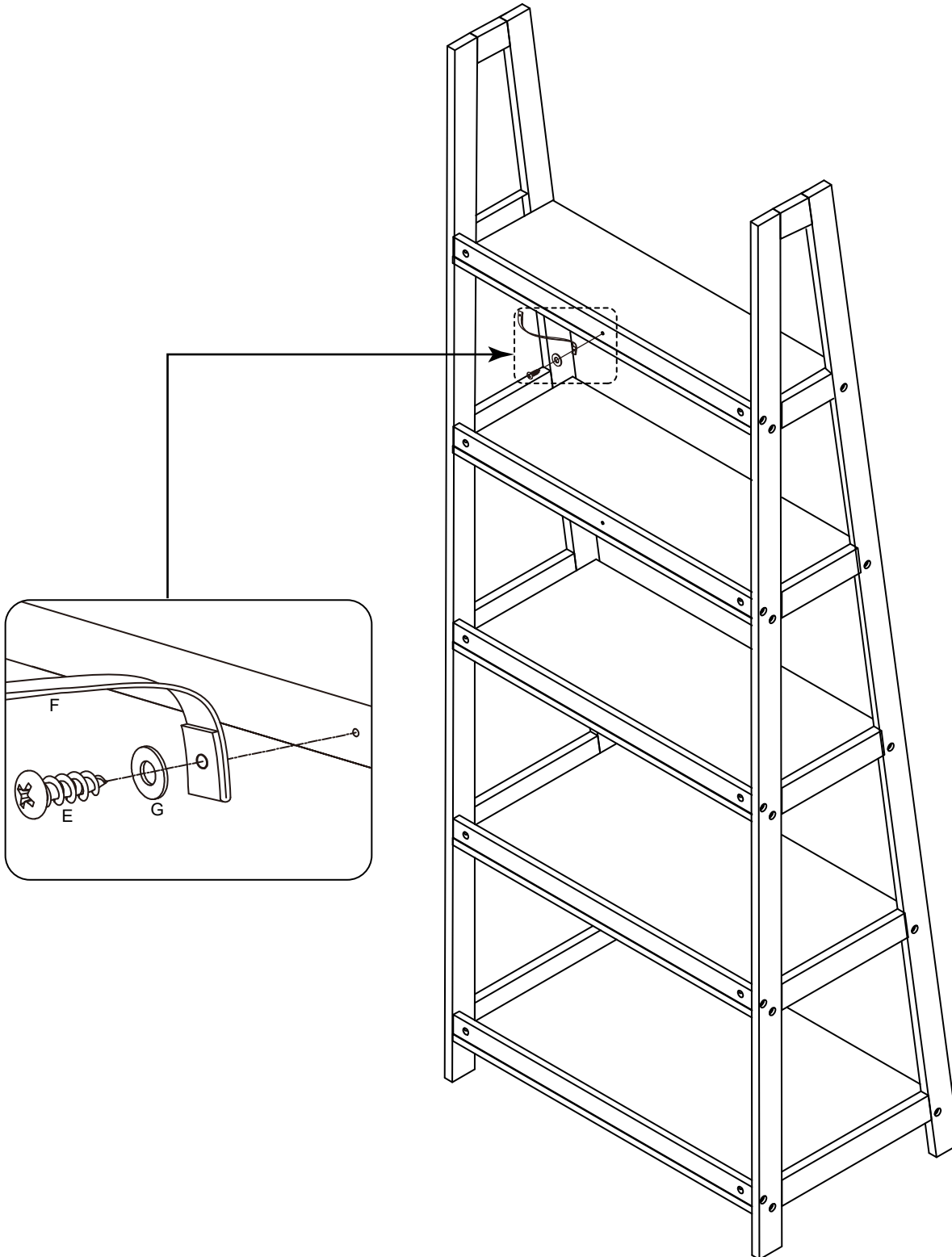
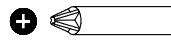


12



13

E x 1  Φ4x12 mm	F x 1  150x25x1 mm	G x 1  Φ16/Φ6 mm
--	---	---



14

