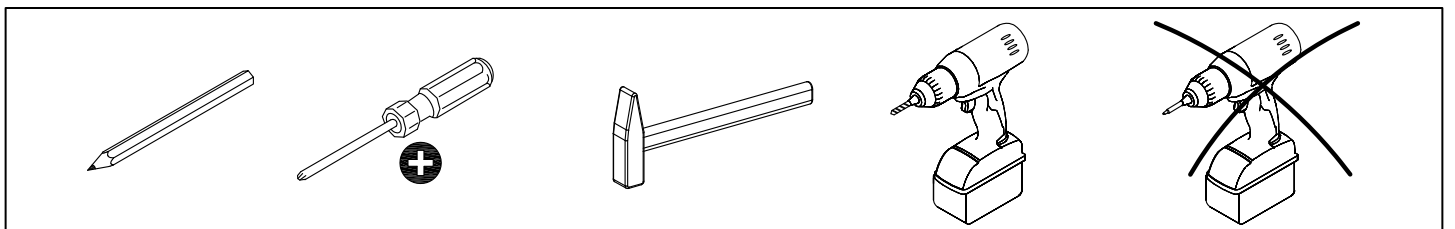
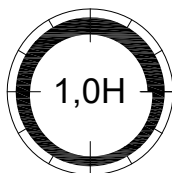
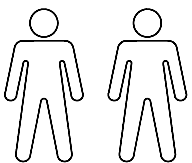
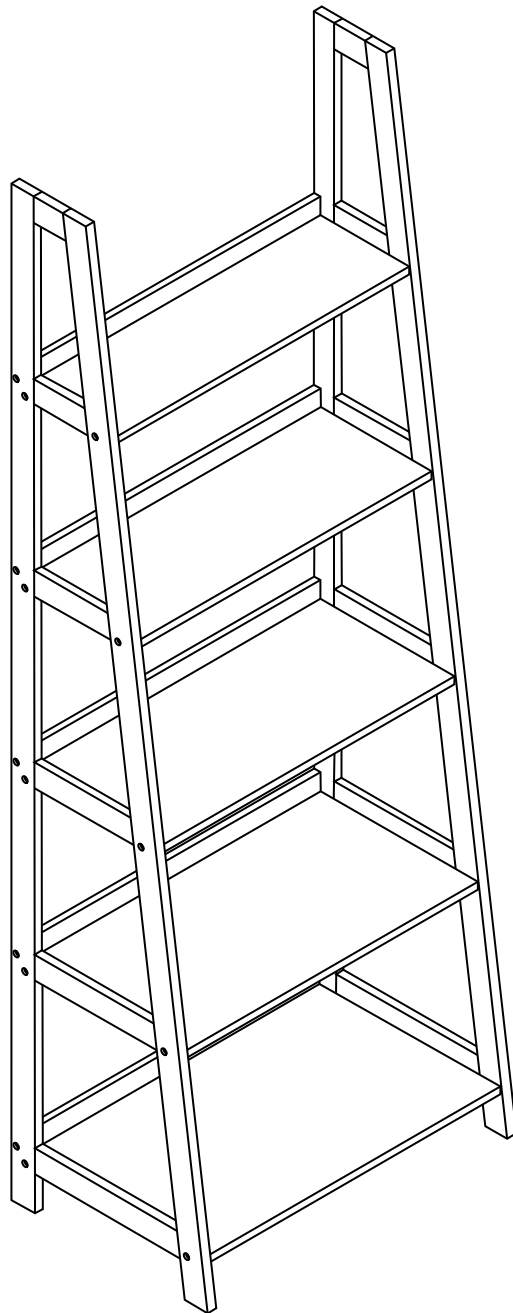
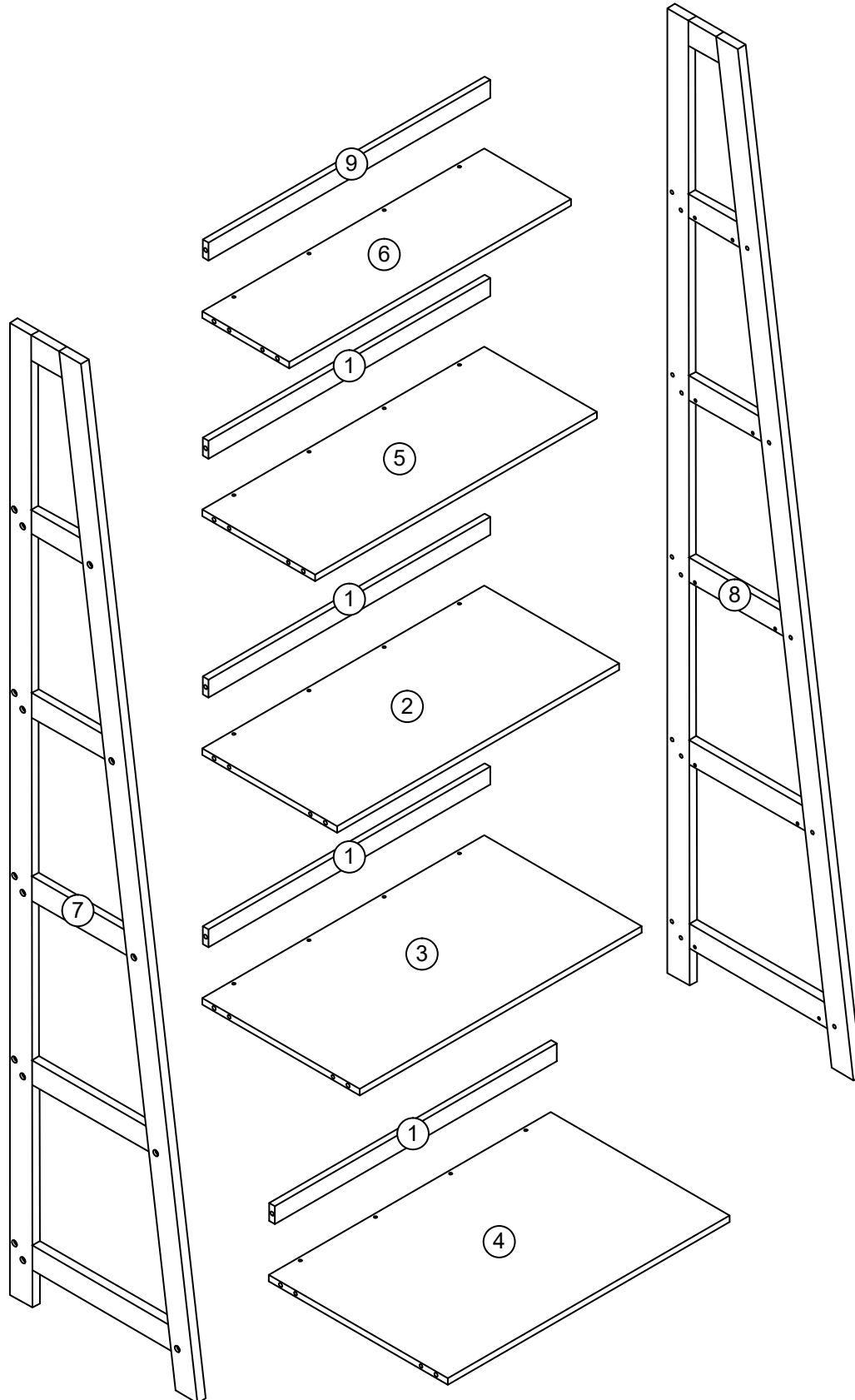


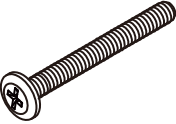
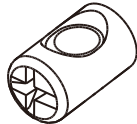

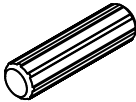
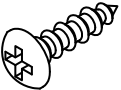
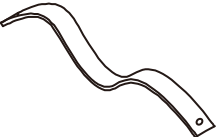

# WALLY



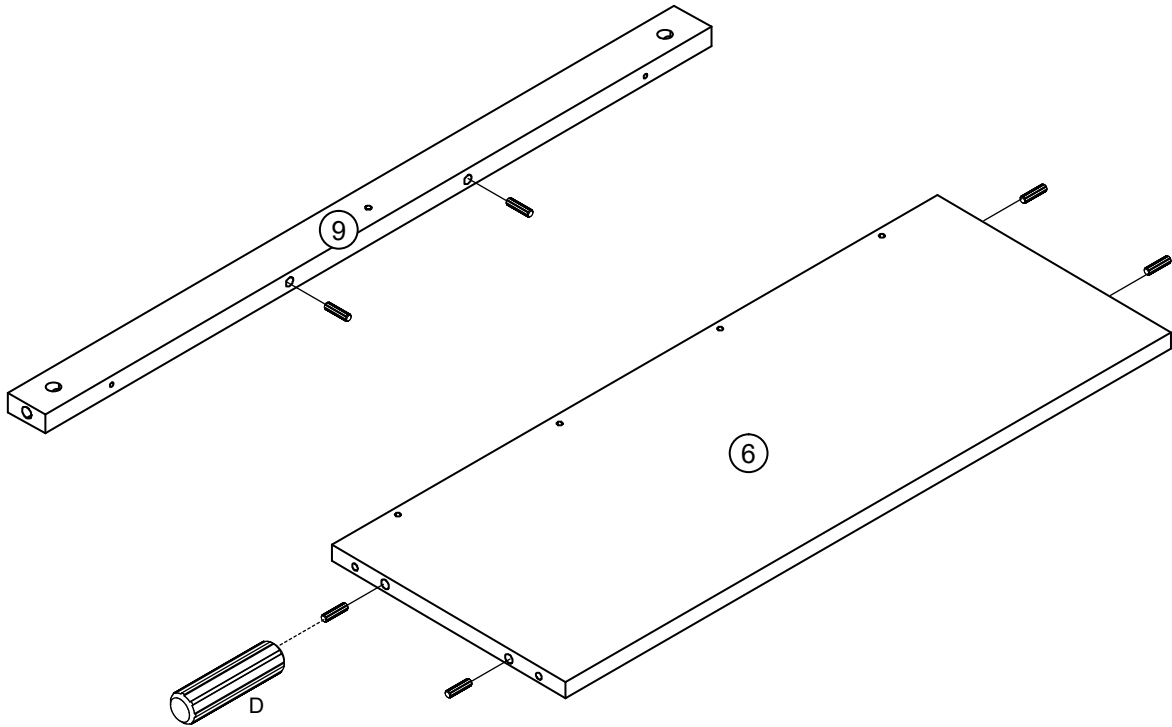
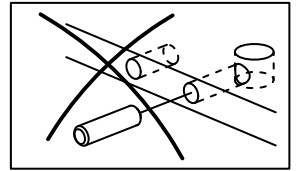
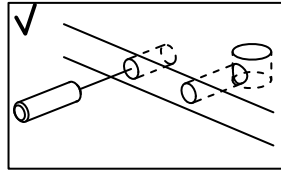
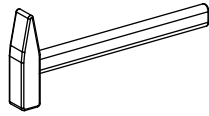
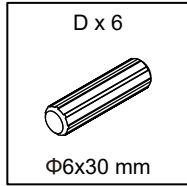
|   |   |            |   |
|---|---|------------|---|
|   |   |            | ✓ |
| ① | 4 | 595x32x12  |   |
| ② | 1 | 595x288x12 |   |
| ③ | 1 | 595x335x12 |   |
| ④ | 1 | 595x380x12 |   |
| ⑤ | 1 | 595x240x12 |   |

|   |   |             |   |
|---|---|-------------|---|
|   |   |             | ✓ |
| ⑥ | 1 | 595x195x12  |   |
| ⑦ | 1 | 1800x400x18 |   |
| ⑧ | 1 | 1800x400x18 |   |
| ⑨ | 1 | 595x32x12   |   |

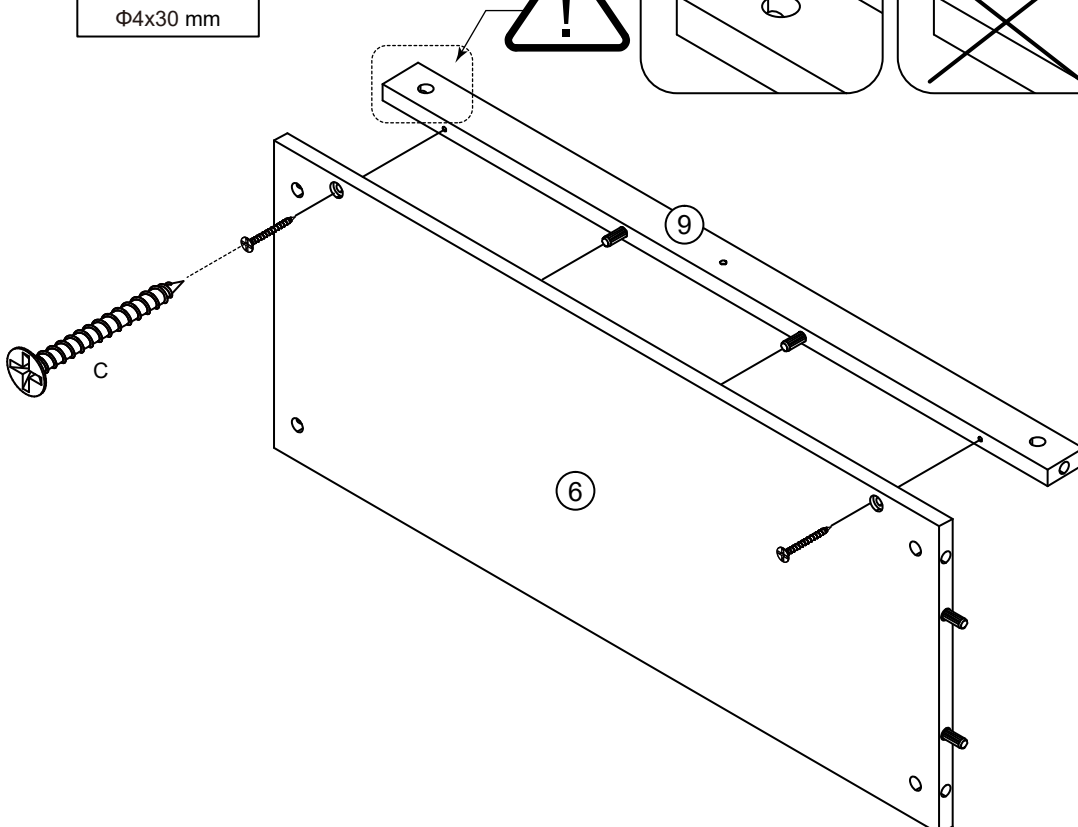
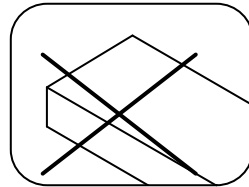
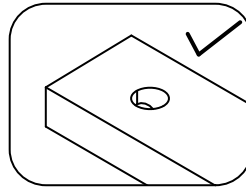
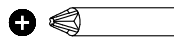
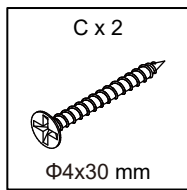


|   |  |   |   |  |
|---|--|---|---|--|
| <p>A x 30</p>  <p>M6x45 mm</p>   | <p>B x 30</p>  <p>Φ10x10 mm</p> | <p>C x 10</p>  <p>Φ4X30 mm</p> | <p>D x 30</p>  <p>Φ6x30 mm</p> | <p>E x 1</p>  <p>Φ4x12 mm</p> |
| <p>F x 1</p>  <p>150x25x1 mm</p> | <p>G x 2</p>  <p>Φ16/Φ6 mm</p>  |   |   |  |

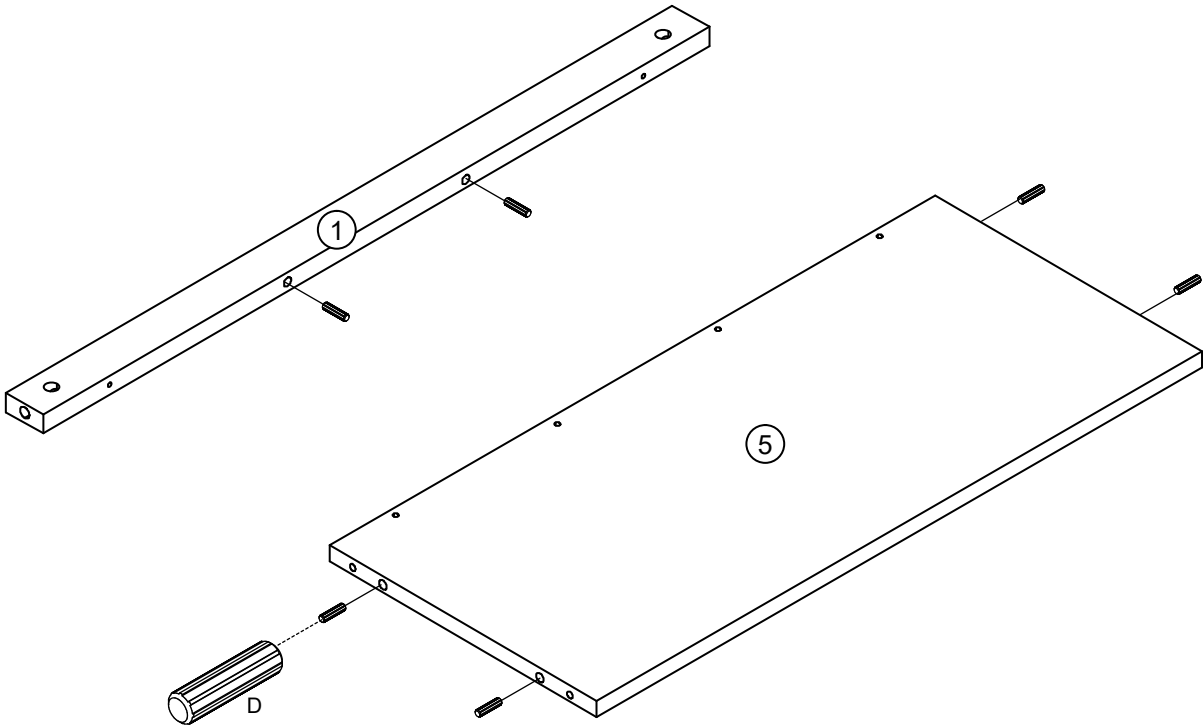
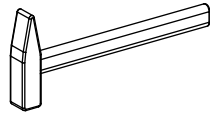
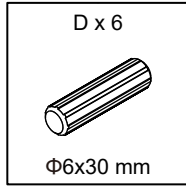
1



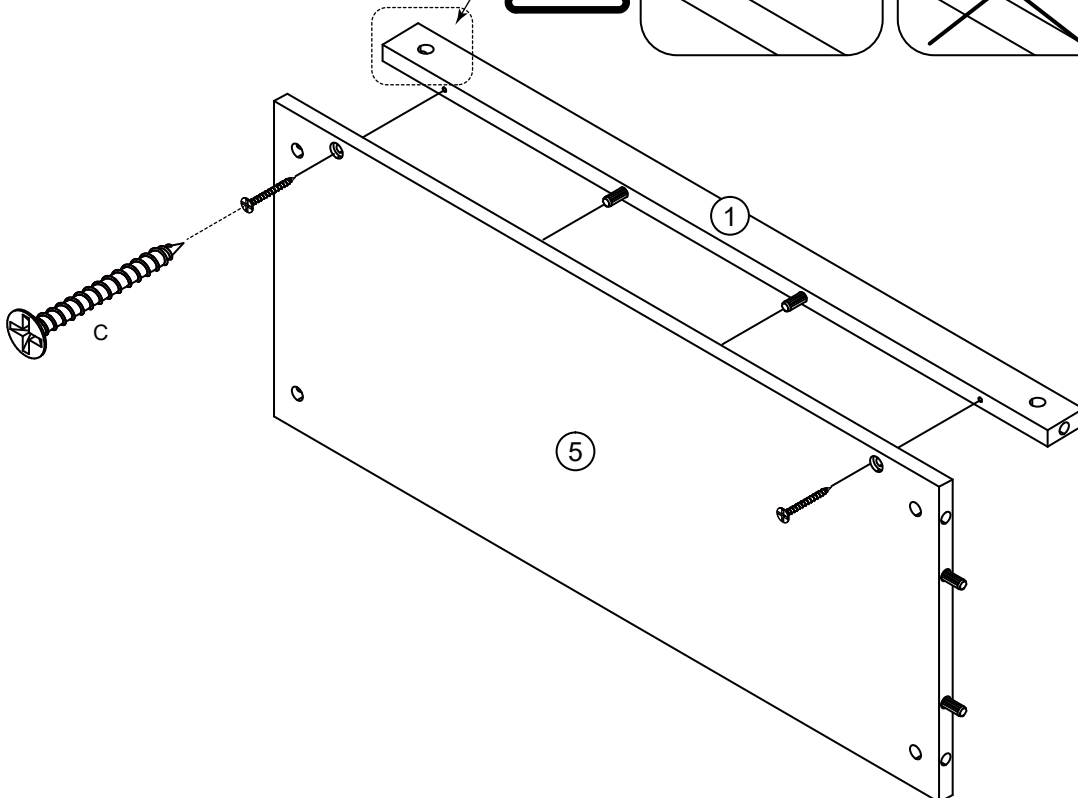
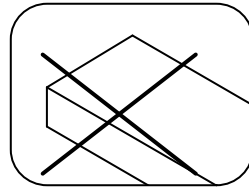
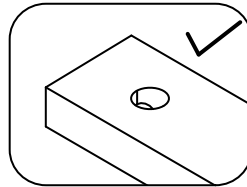
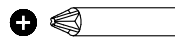
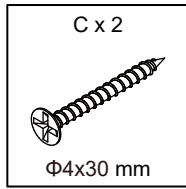
2



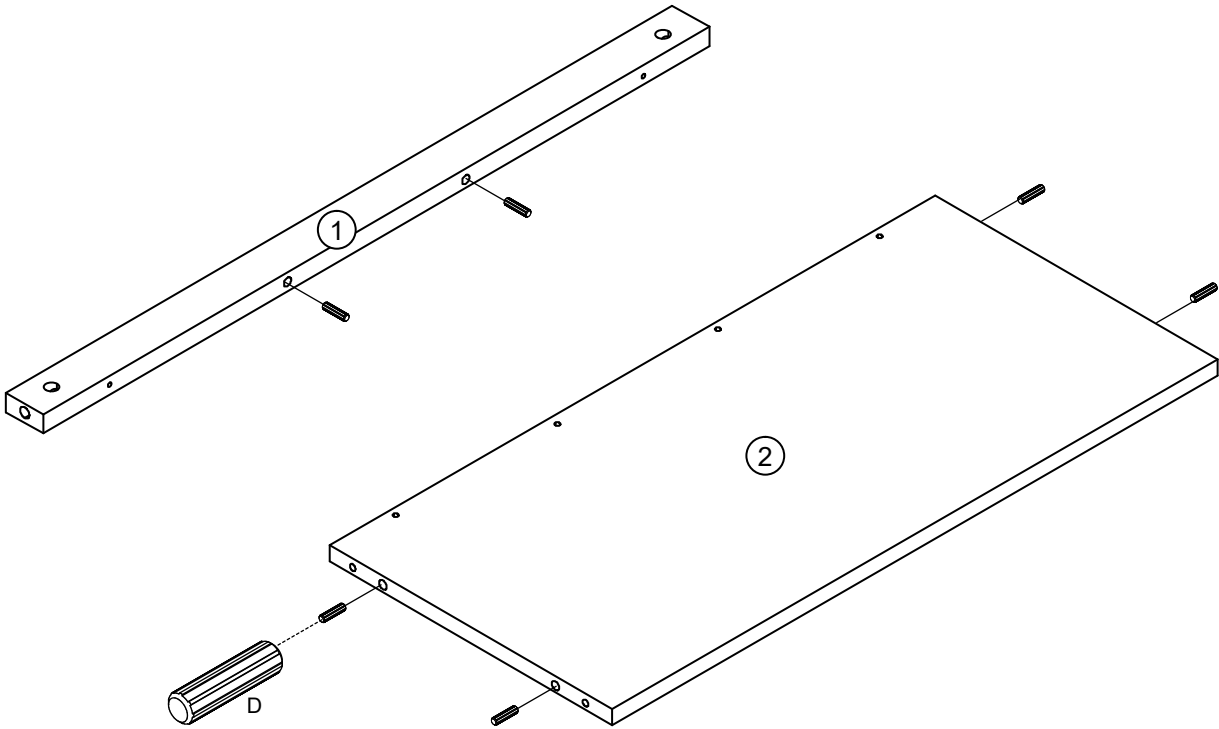
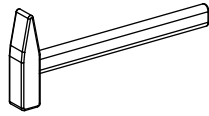
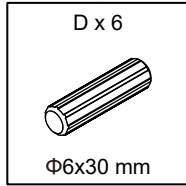
# 3



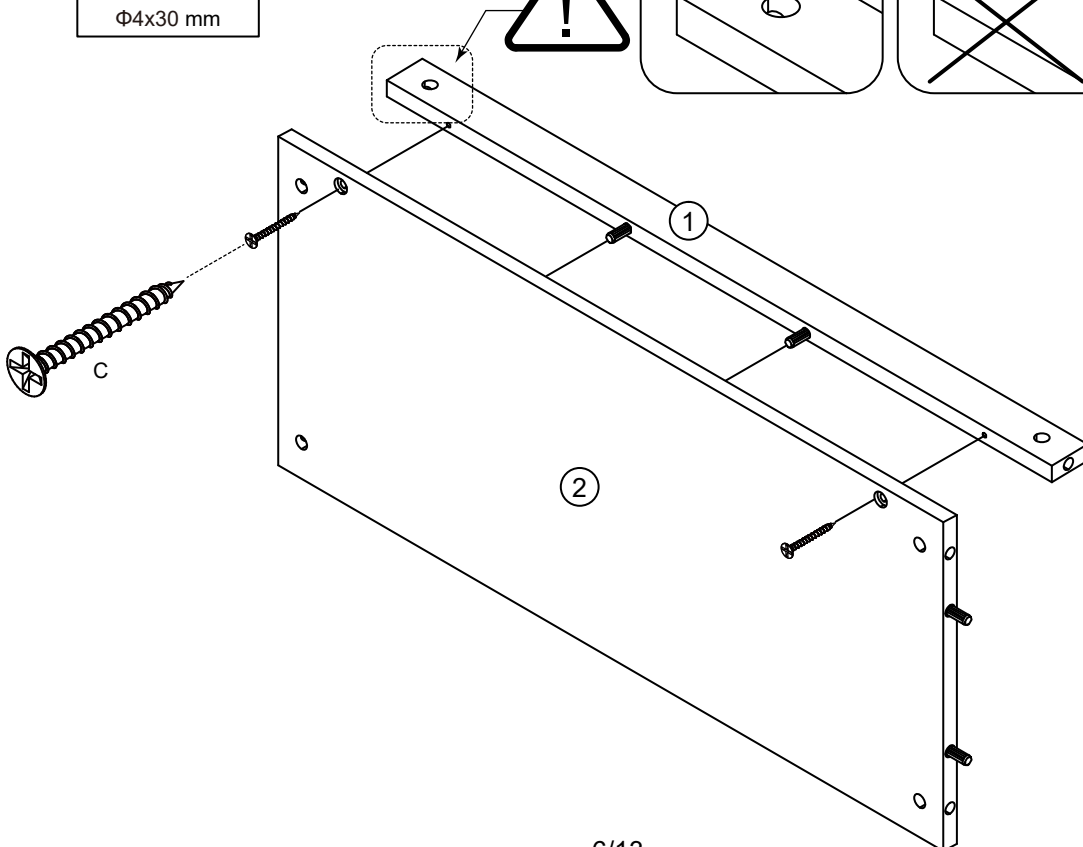
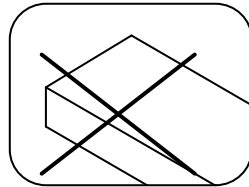
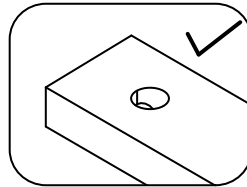
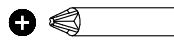
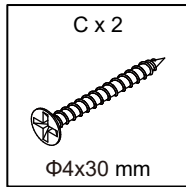
# 4



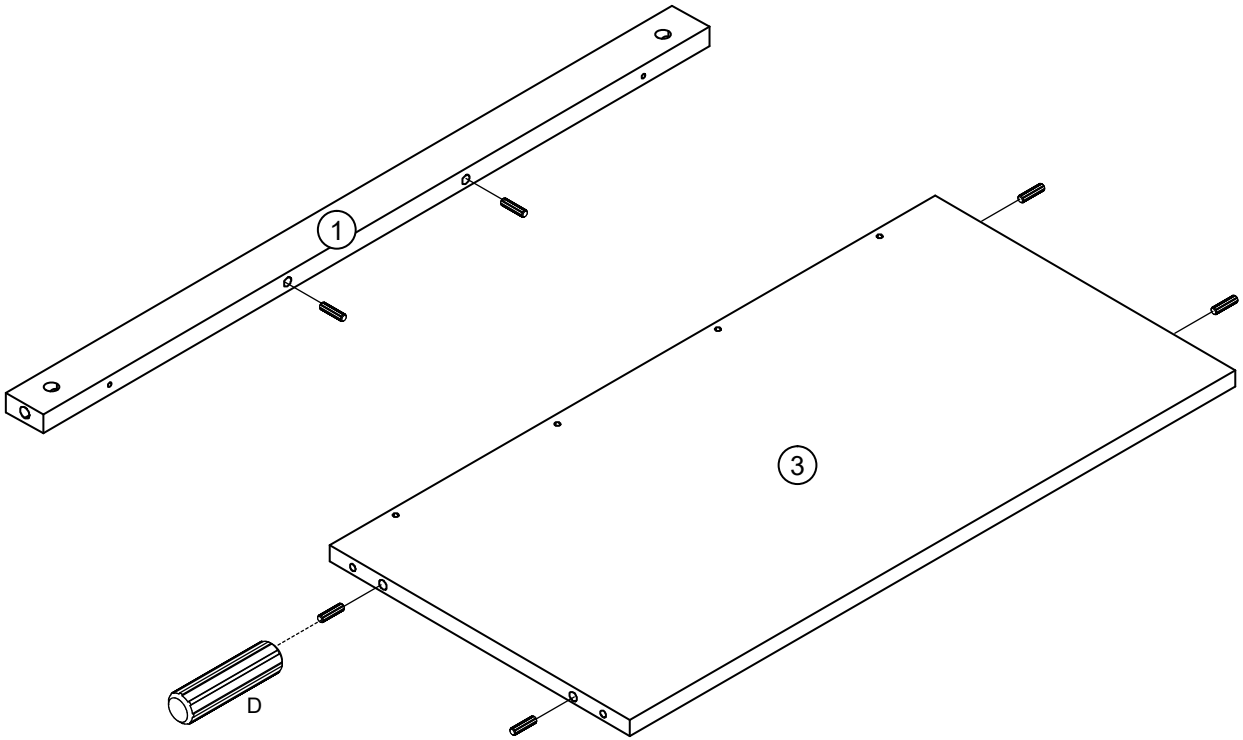
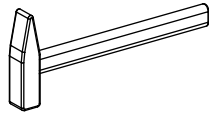
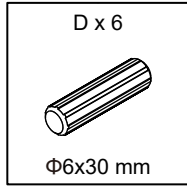
# 5



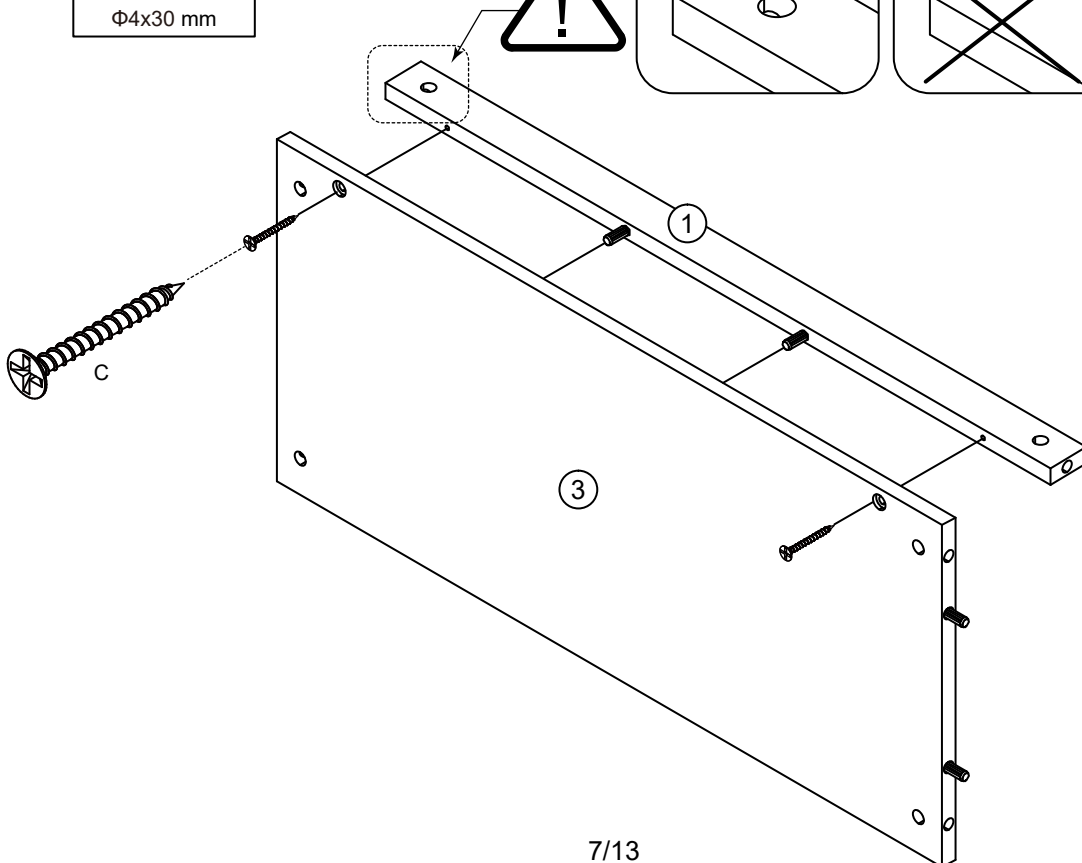
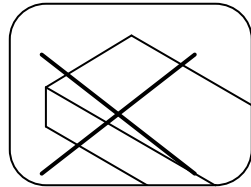
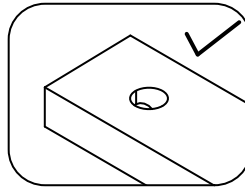
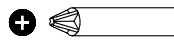
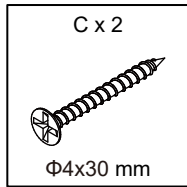
# 6



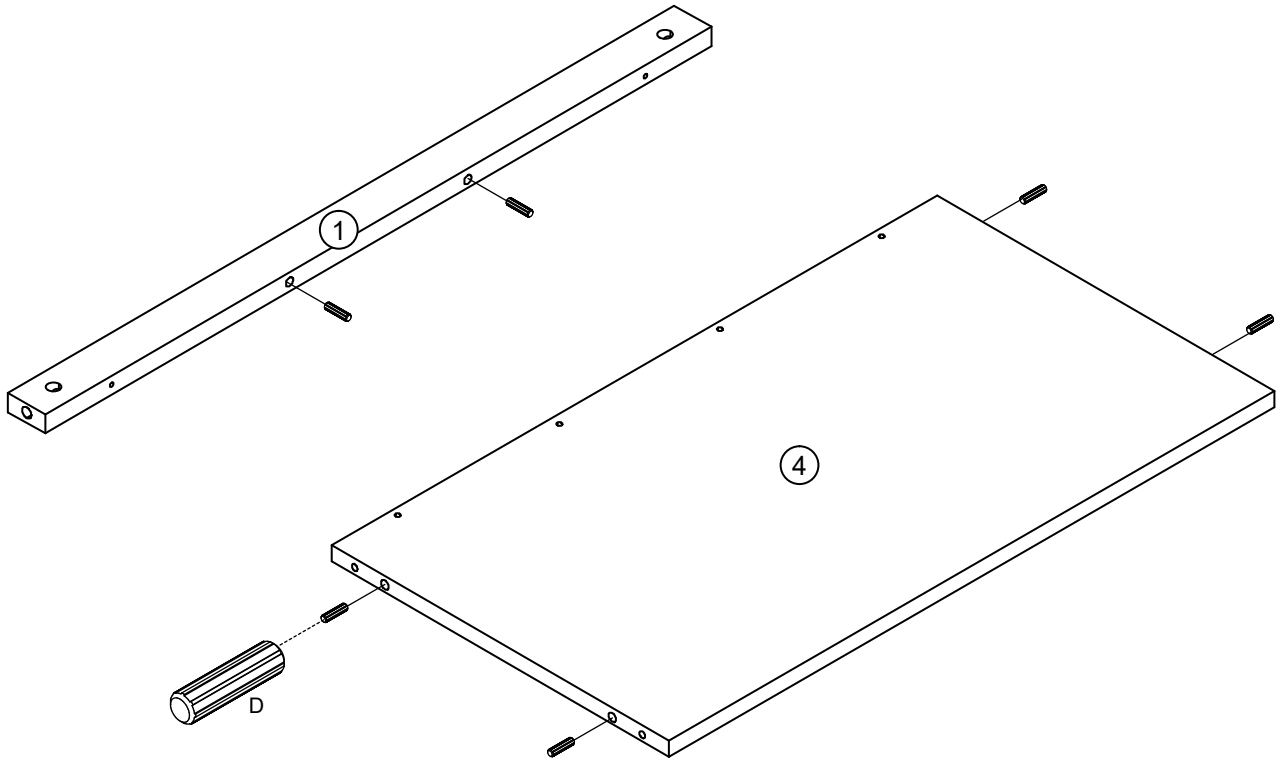
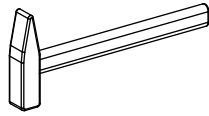
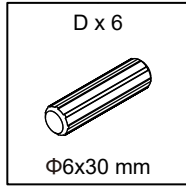
7



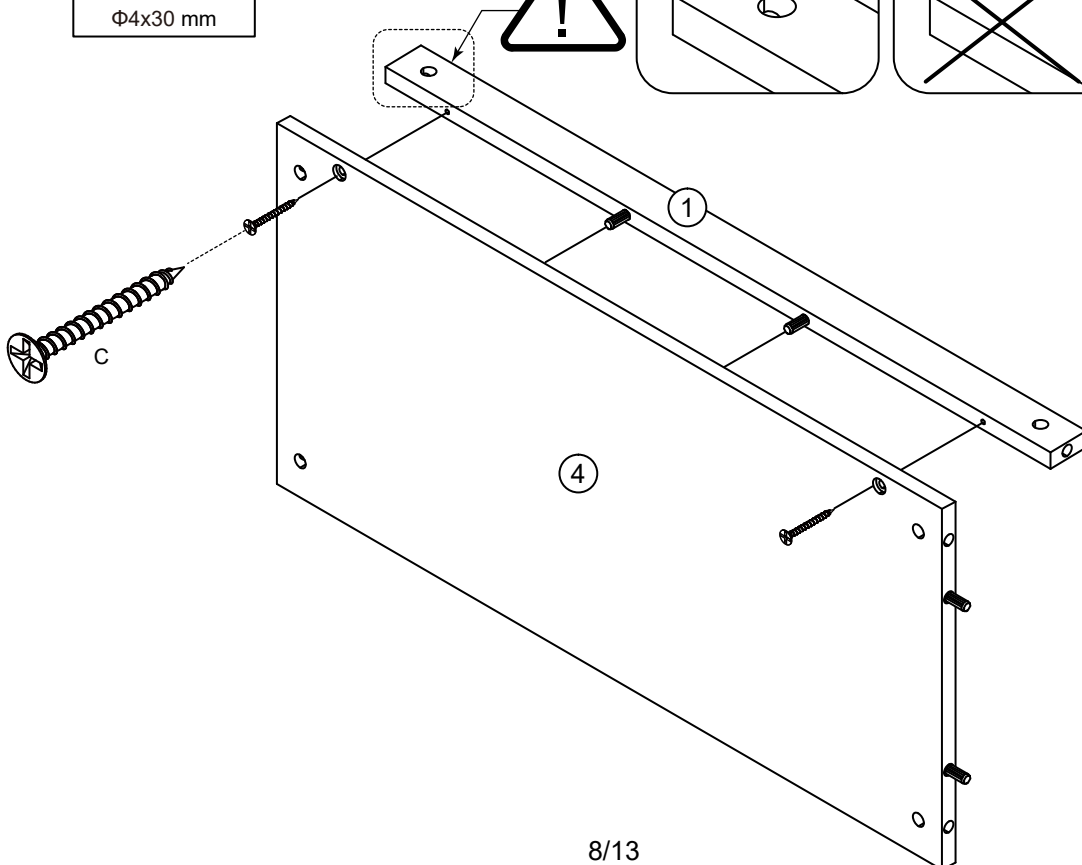
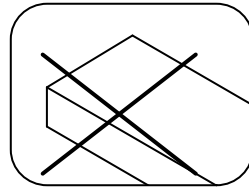
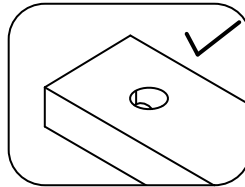
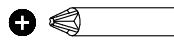
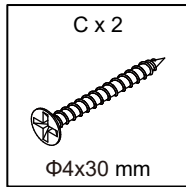
8



# 9

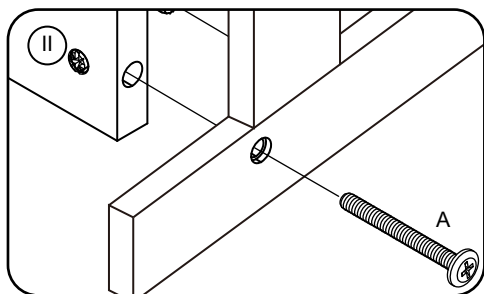
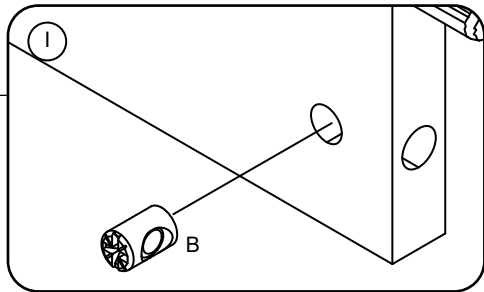
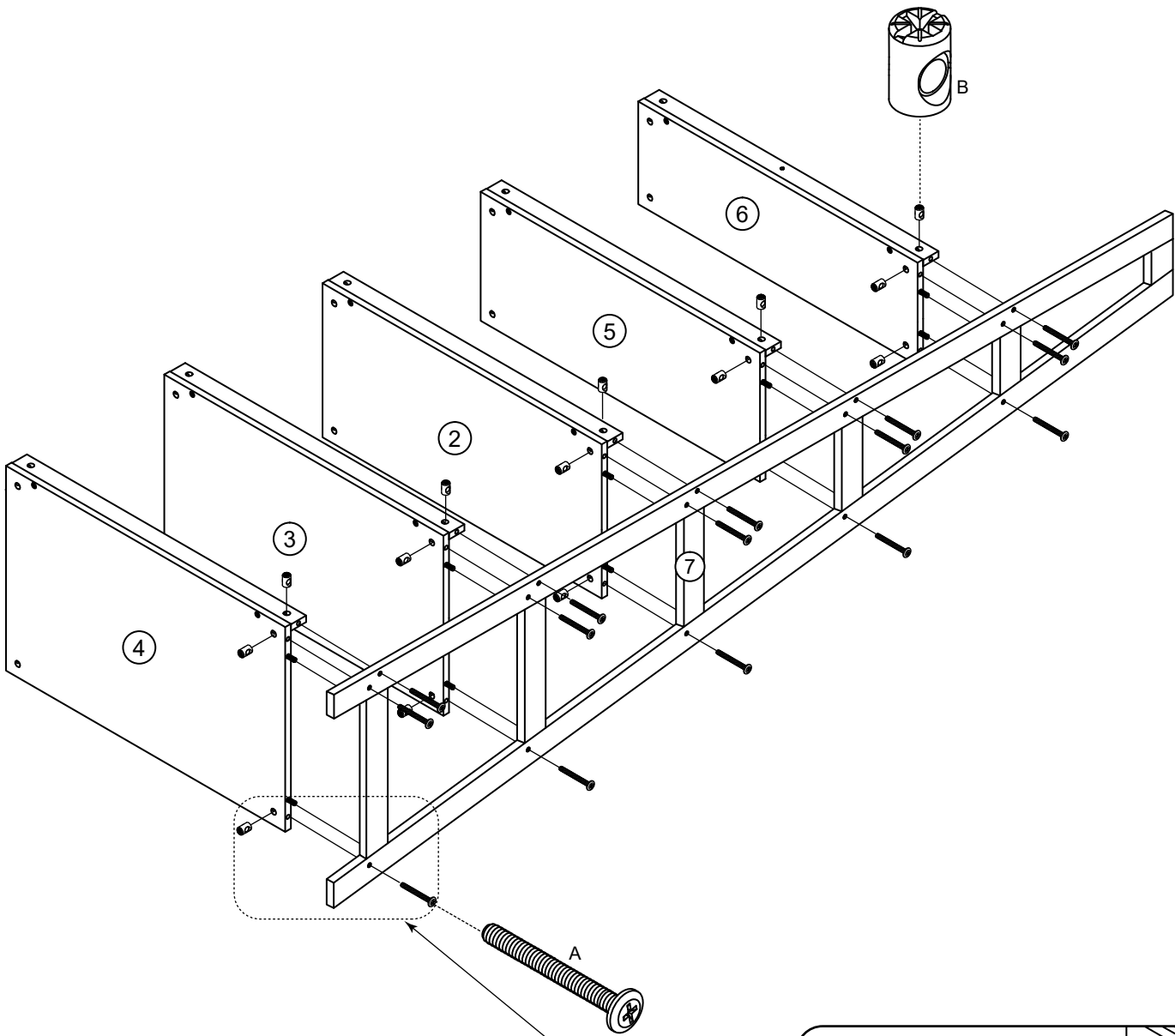
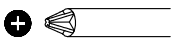
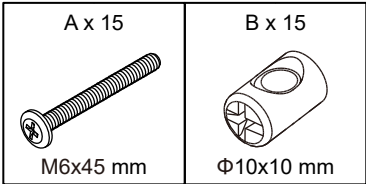


# 10

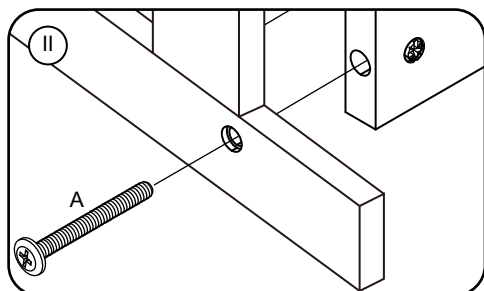
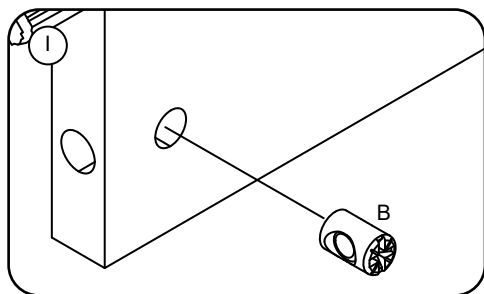
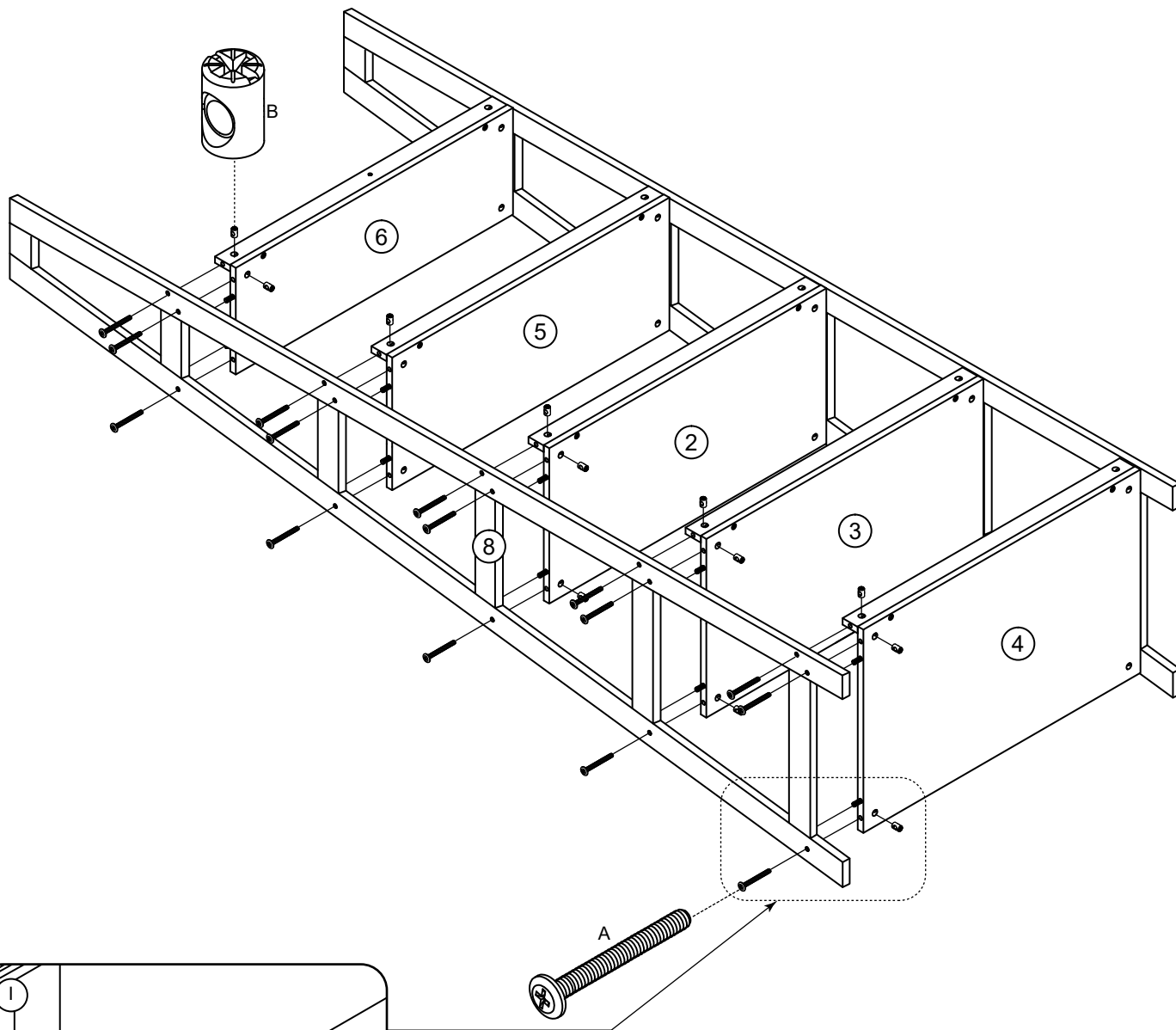
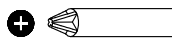
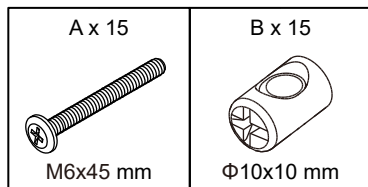




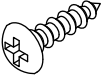


# 11

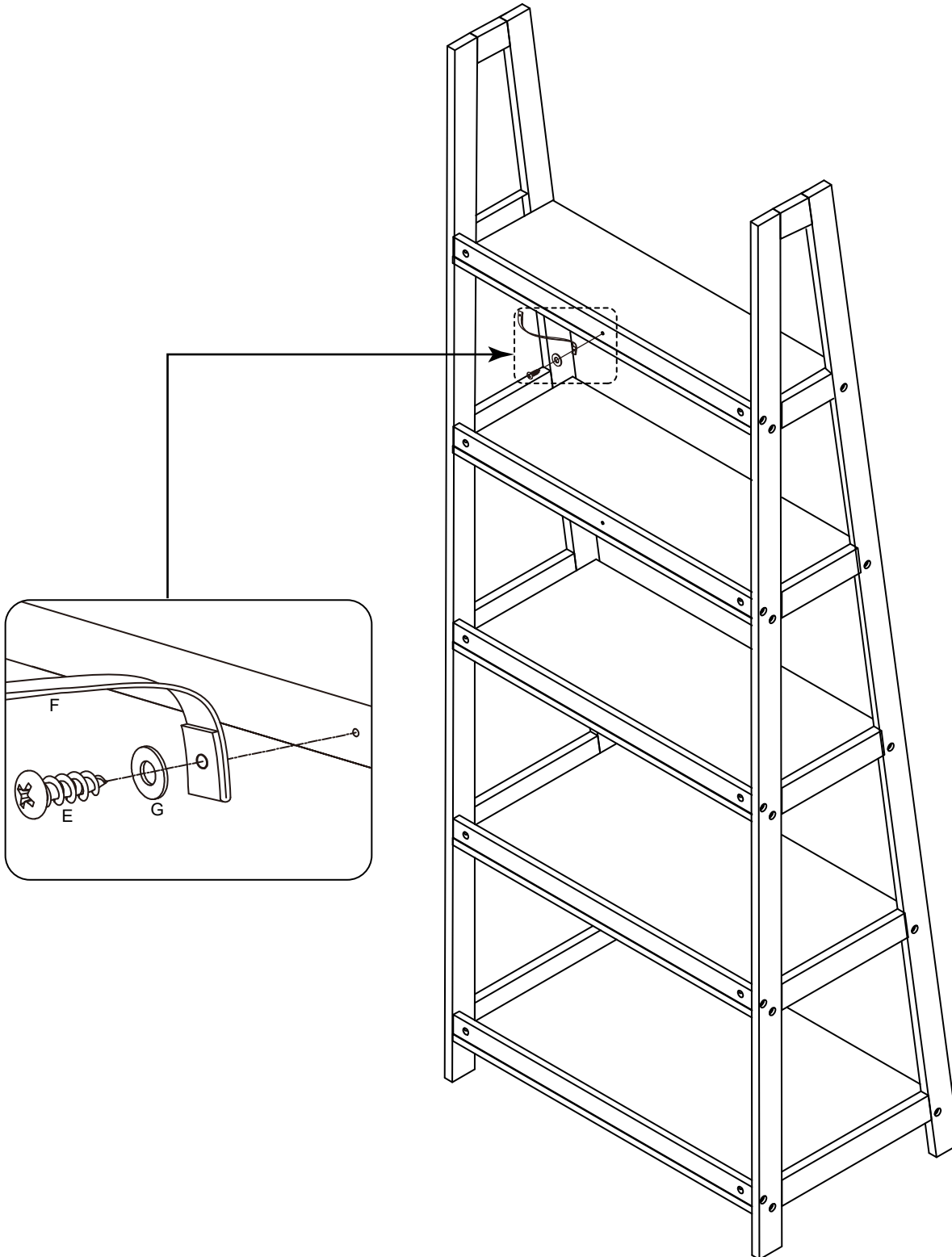
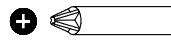


# 12



# 13

|  |   |   |
|--|---|---|
| E x 1<br><br>Φ4x12 mm | F x 1<br><br>150x25x1 mm | G x 1<br><br>Φ16/Φ6 mm |
|--|---|---|



# 14

