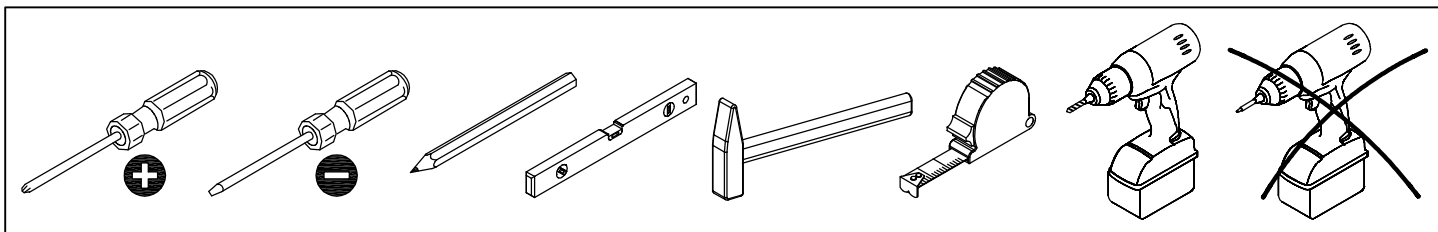
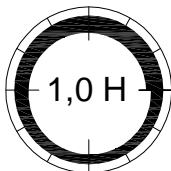
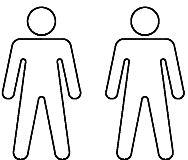
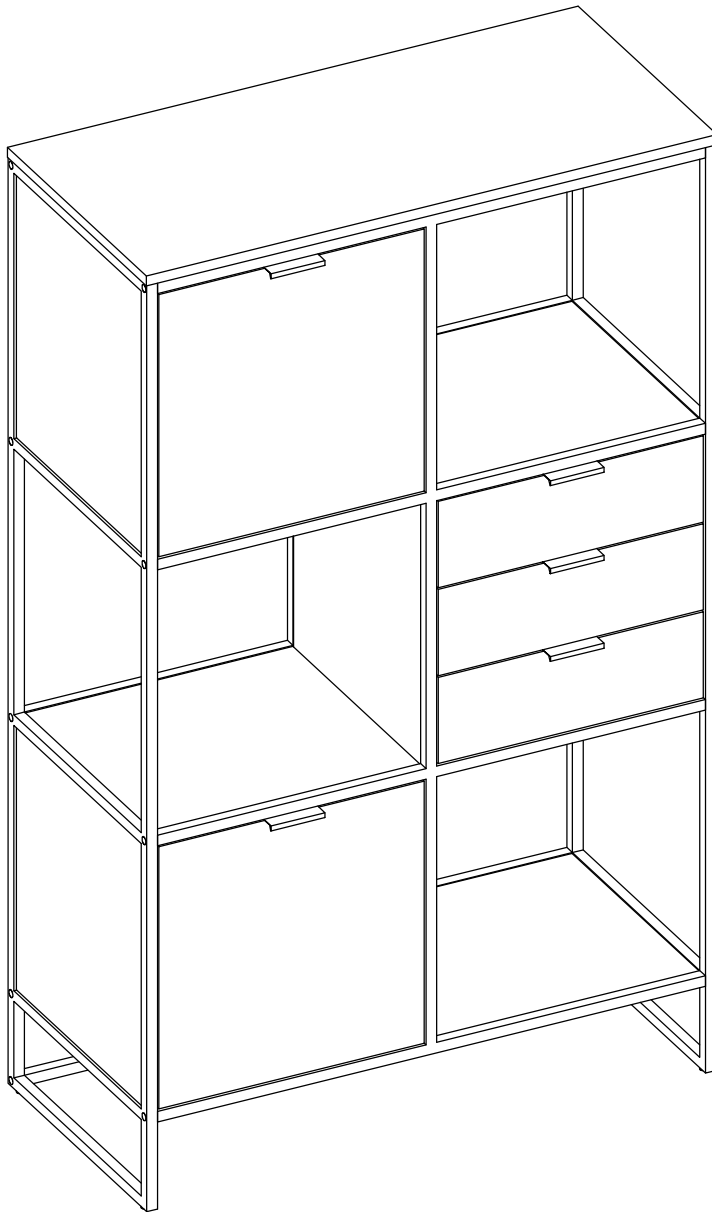
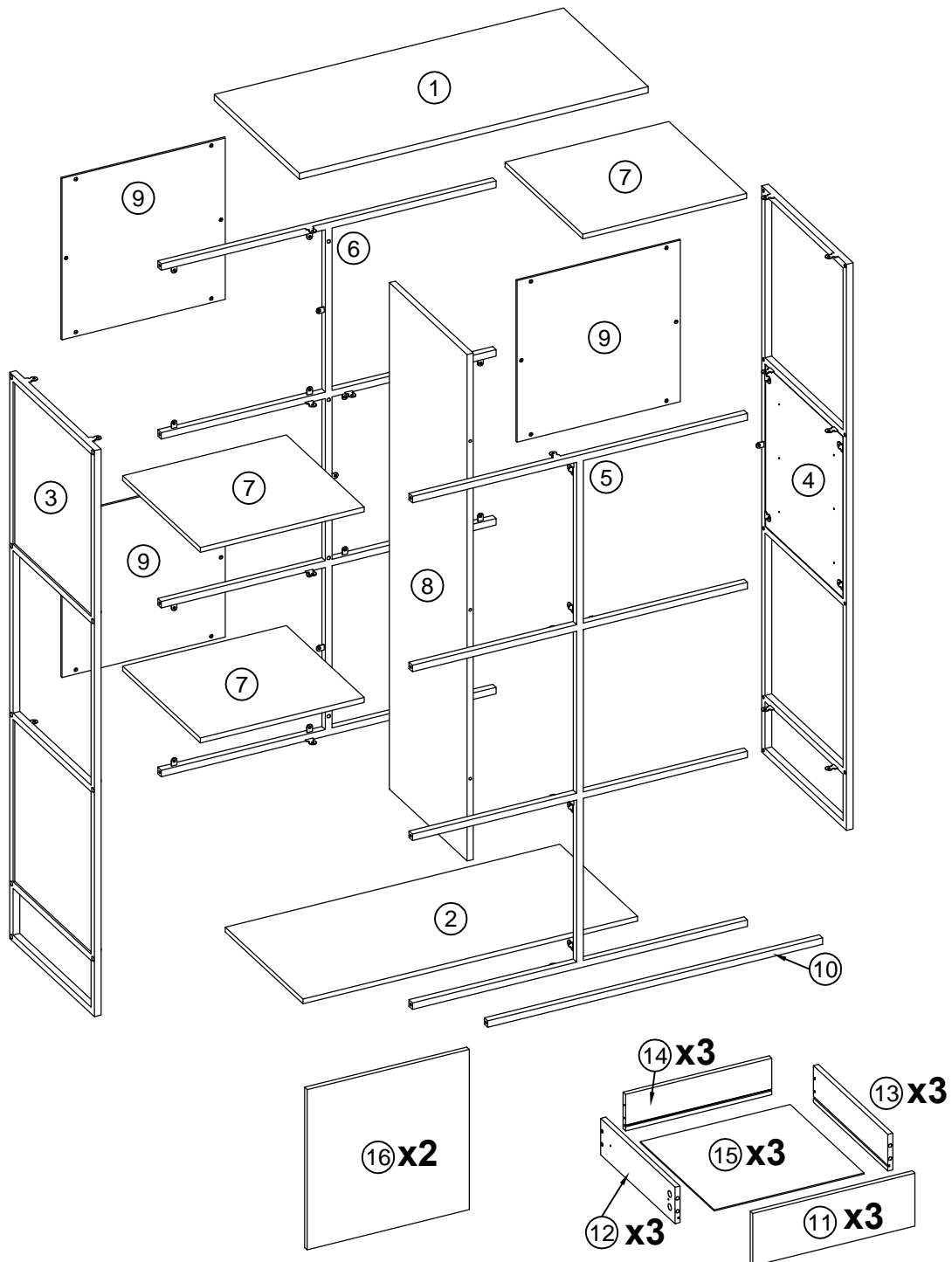


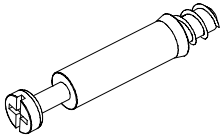
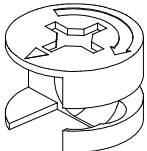
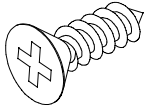
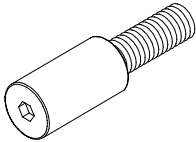
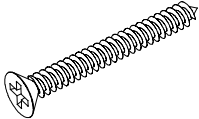
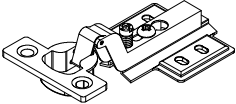
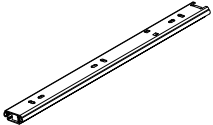
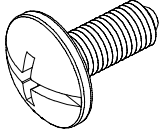
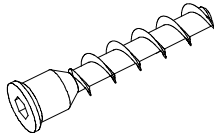
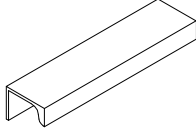

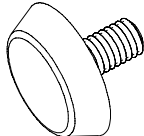
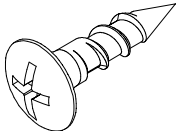
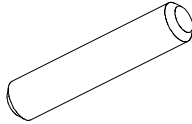
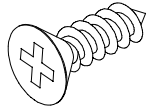

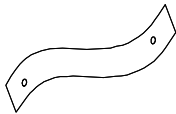
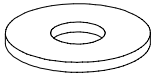
# SWINDON



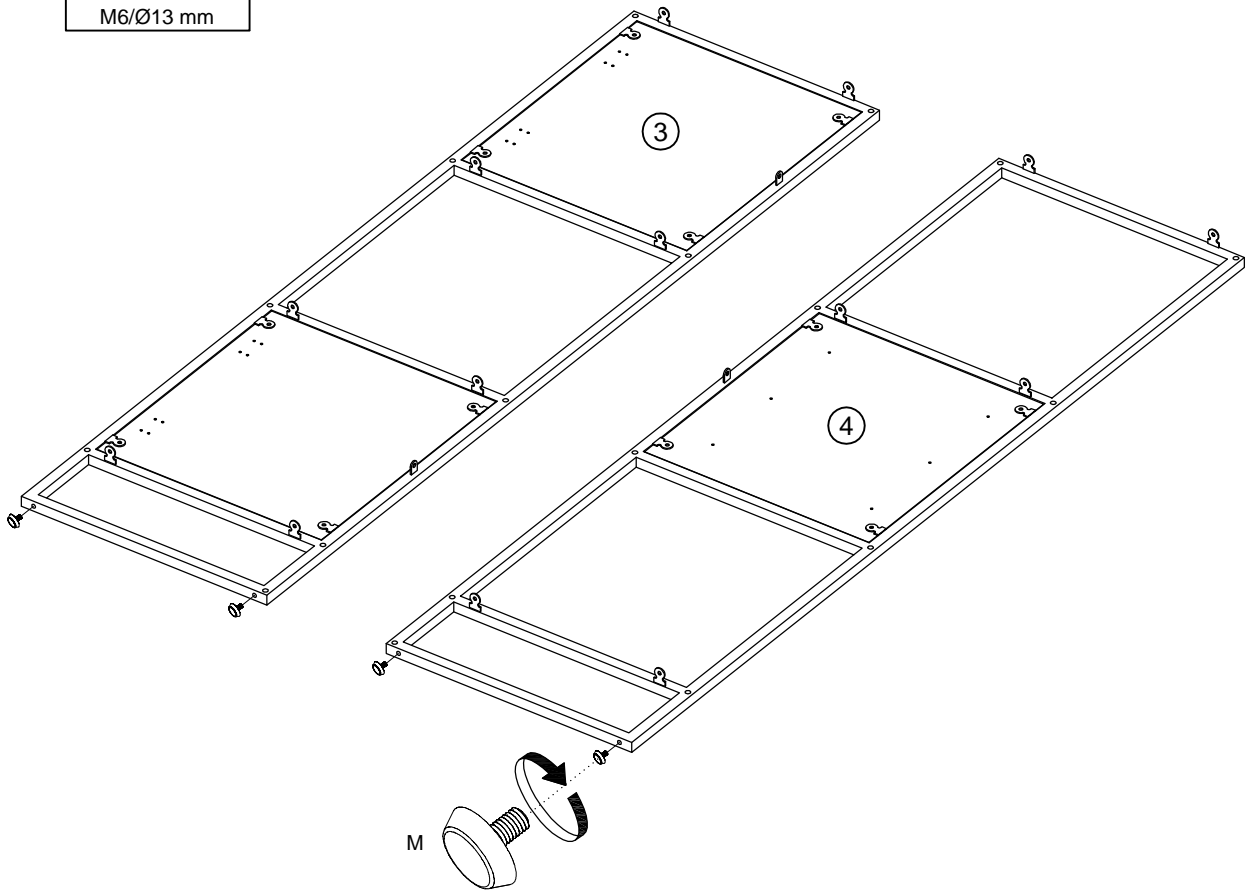
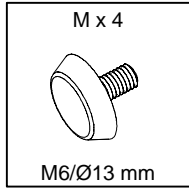
			✓
①	1	851x400x15	
②	1	815x367x12	
③	1	1395x400x42	
④	1	1395x400x42	
⑤	1	1264x816x42	
⑥	1	1264x816x42	
⑦	3	399x367x12	
⑧	1	1246x367x15	

			✓
⑨	3	399x399x4.75	
⑩	1	816x16x16	
⑪	3	395x129x12	
⑫	3	350x90x12	
⑬	3	350x90x12	
⑭	3	356x90x12	
⑮	3	364x347x2.75	
⑯	2	395x395x12	

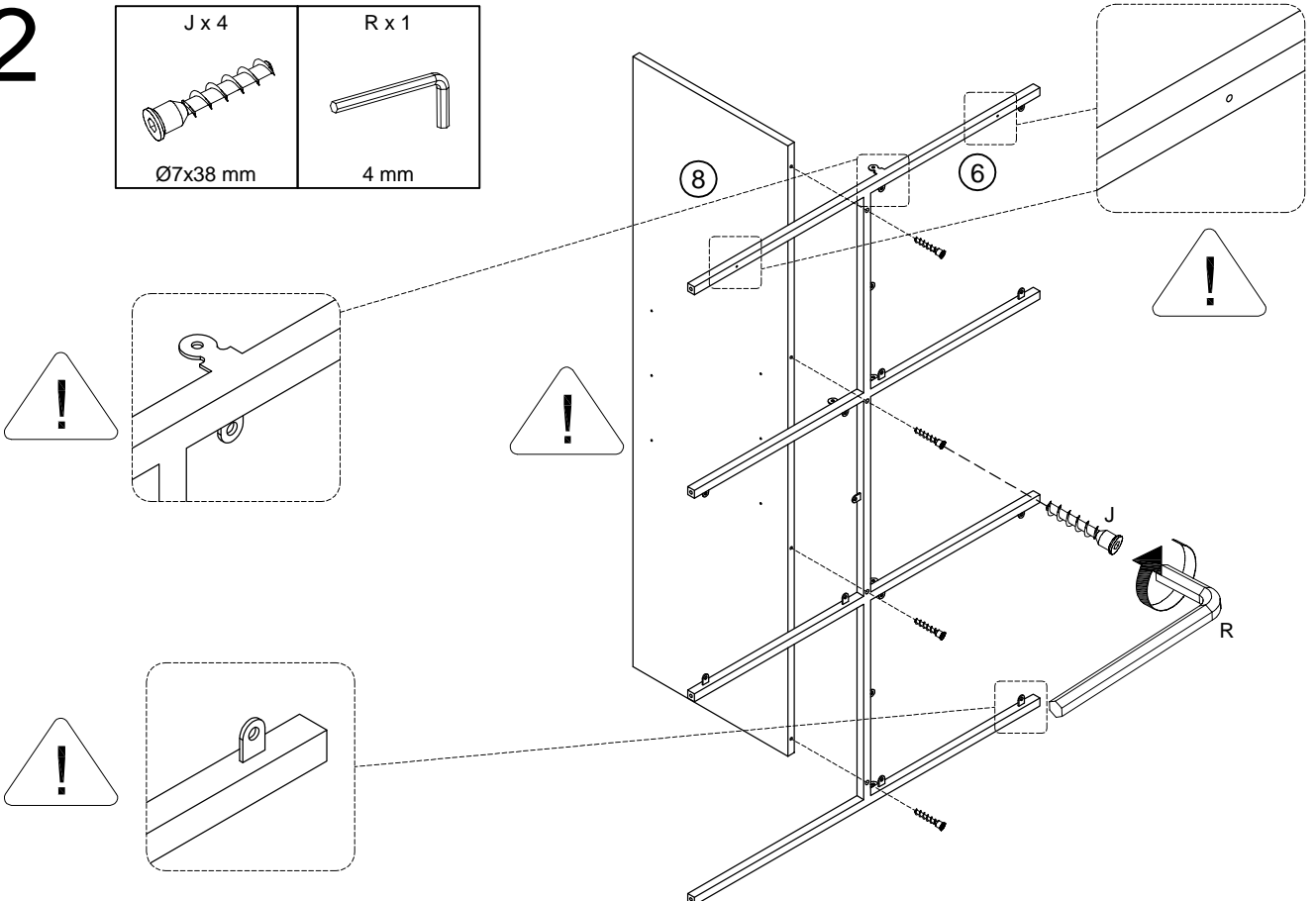
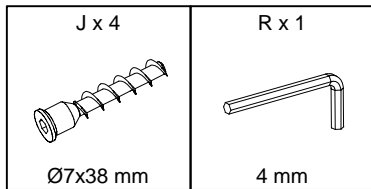


<p>A x 12</p>  <p>Ø6,3x35 mm</p>	<p>B x 12</p>  <p>Ø15x9 mm</p>	<p>C x 54</p>  <p>Ø3,5x12 mm</p>	<p>D x 18</p>  <p>M6x15 mm</p>	<p>E x 12</p>  <p>Ø4x35 mm</p>
<p>F x 4</p>  <p>Ø35/FK17</p>	<p>G x 6</p>  <p>350 mm</p>	<p>H x 18</p>  <p>M6x10 mm</p>	<p>J x 4</p>  <p>Ø7x38 mm</p>	<p>K x 5</p>  <p>80x32x18 mm</p>
<p>L x 12</p>  <p>Ø20 mm</p>	<p>M x 4</p>  <p>M6/Ø13 mm</p>	<p>N x 30</p>  <p>Ø4x12 mm</p>	<p>P x 3</p>  <p>Ø6x30 mm</p>	<p>Q x 4</p>  <p>Ø3,5x12 mm</p>
<p>R x 1</p>  <p>4 mm</p>	<p>S x 2</p>  <p>150 mm</p>	<p>T x 4</p>  <p>Ø6/Ø16 mm</p>		

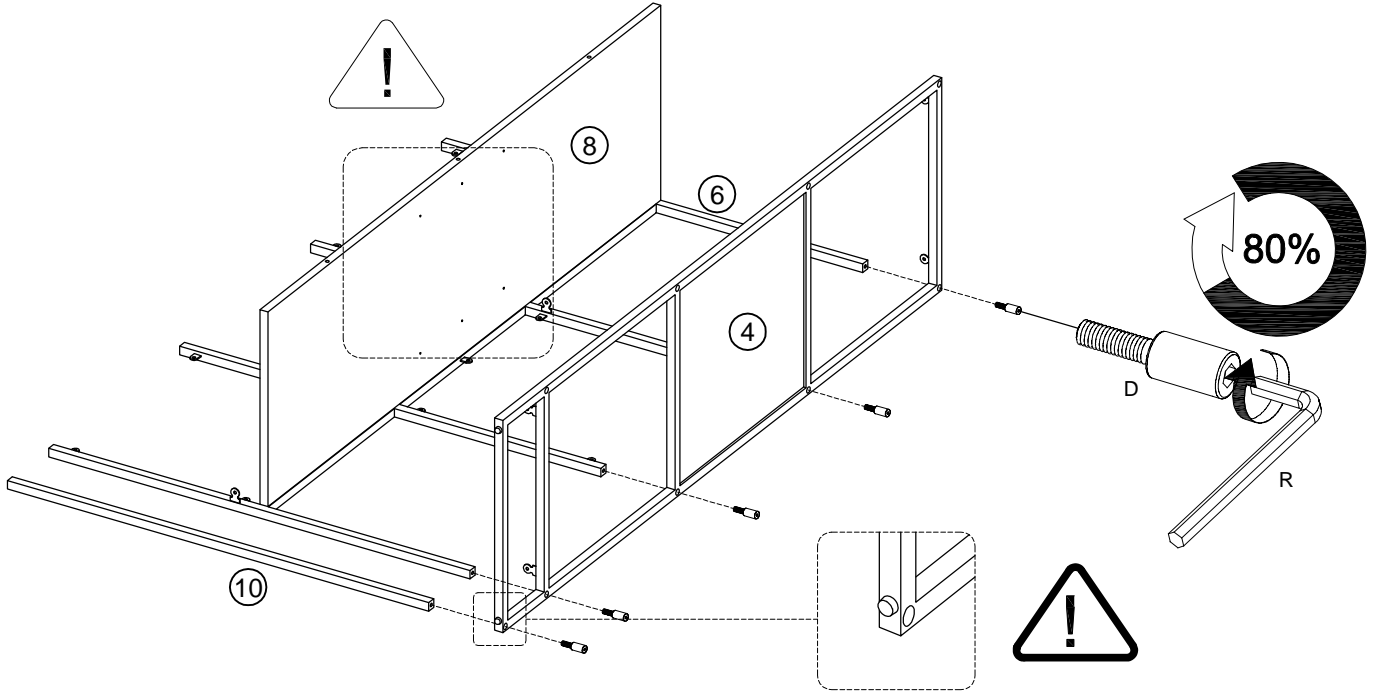
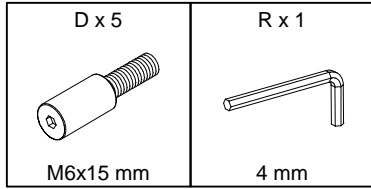
# 1



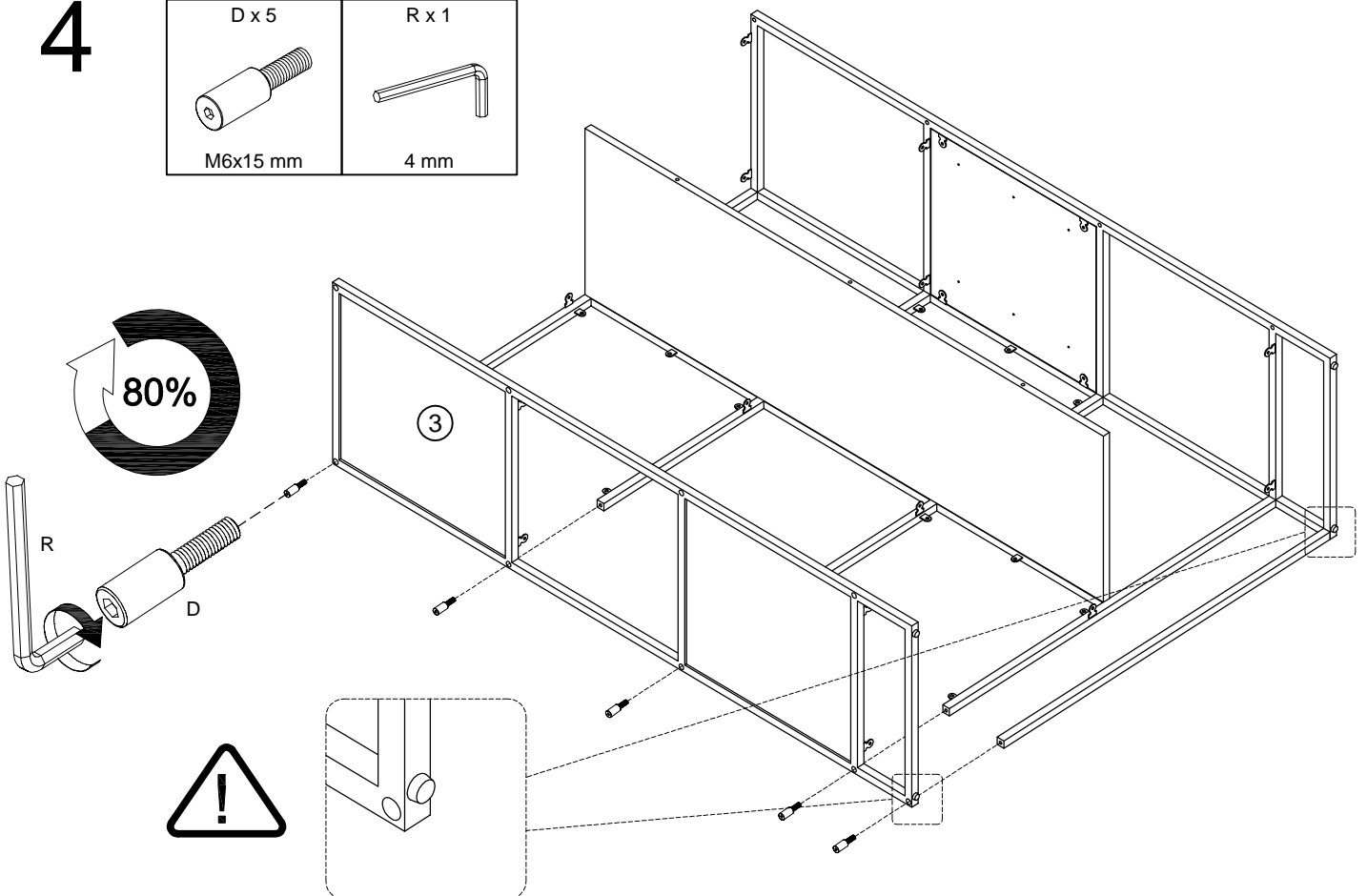
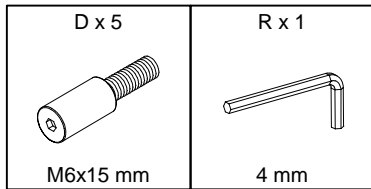
# 2



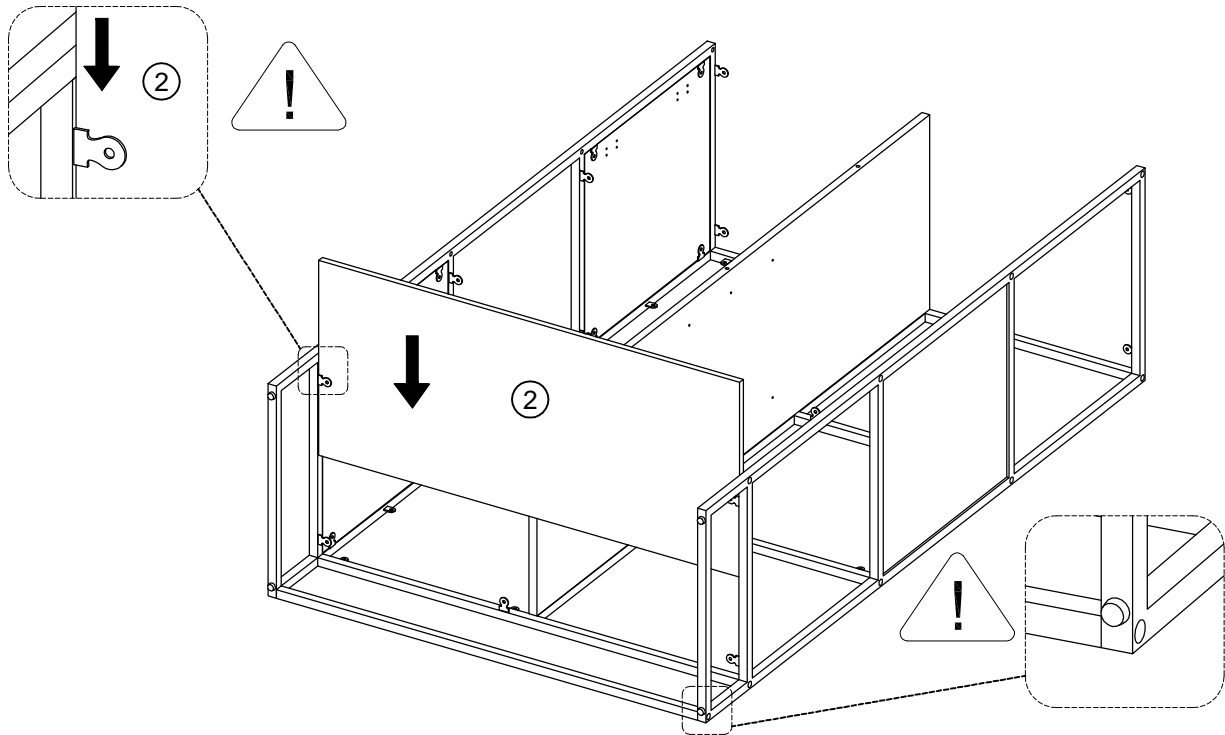
# 3



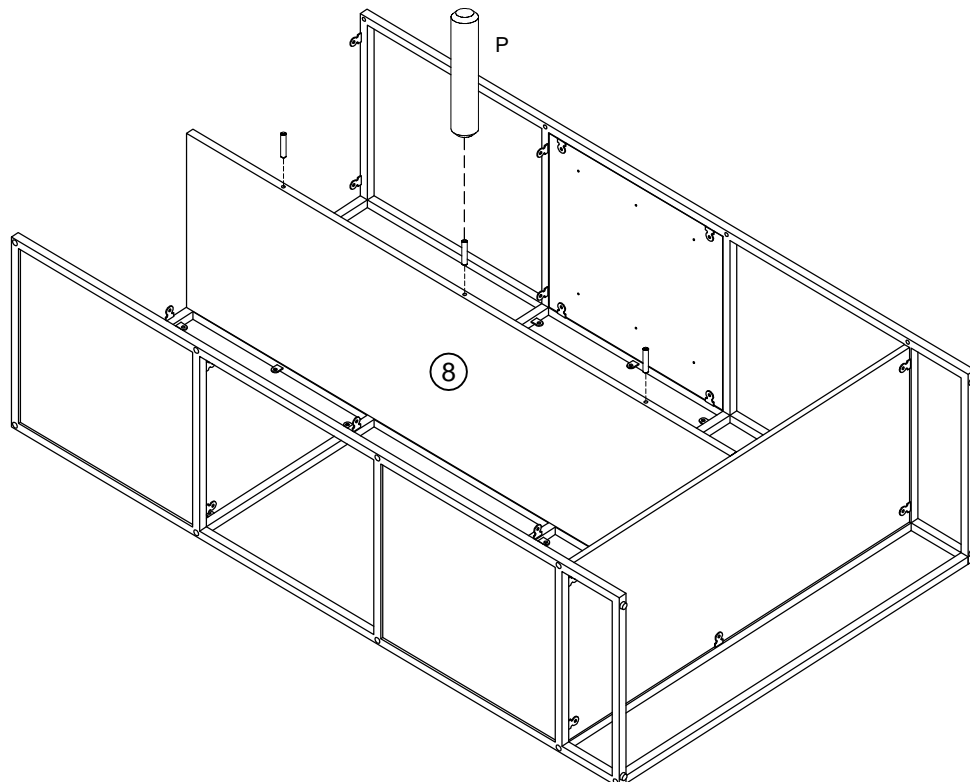
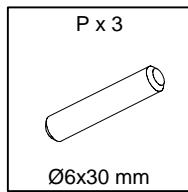
# 4



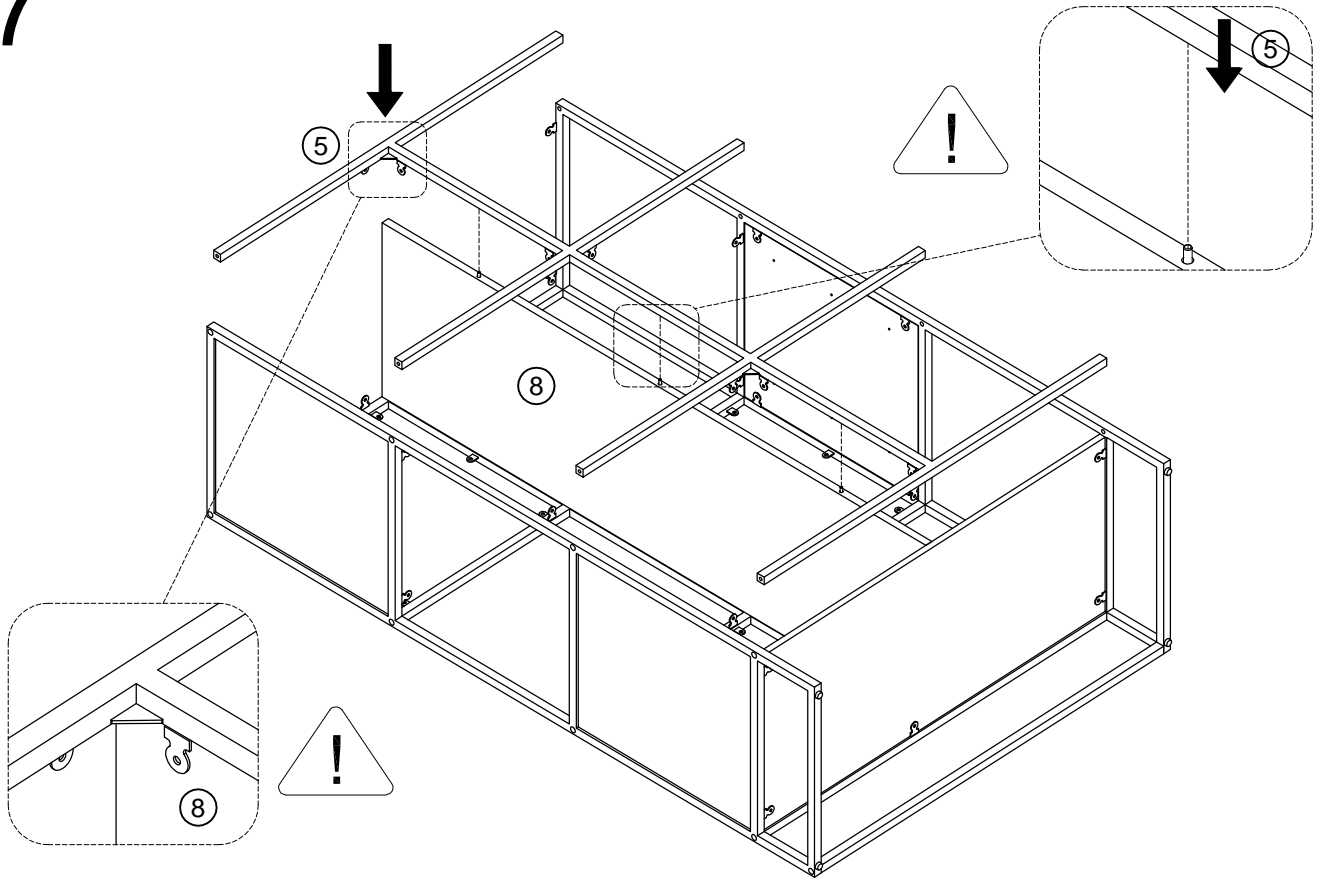
# 5



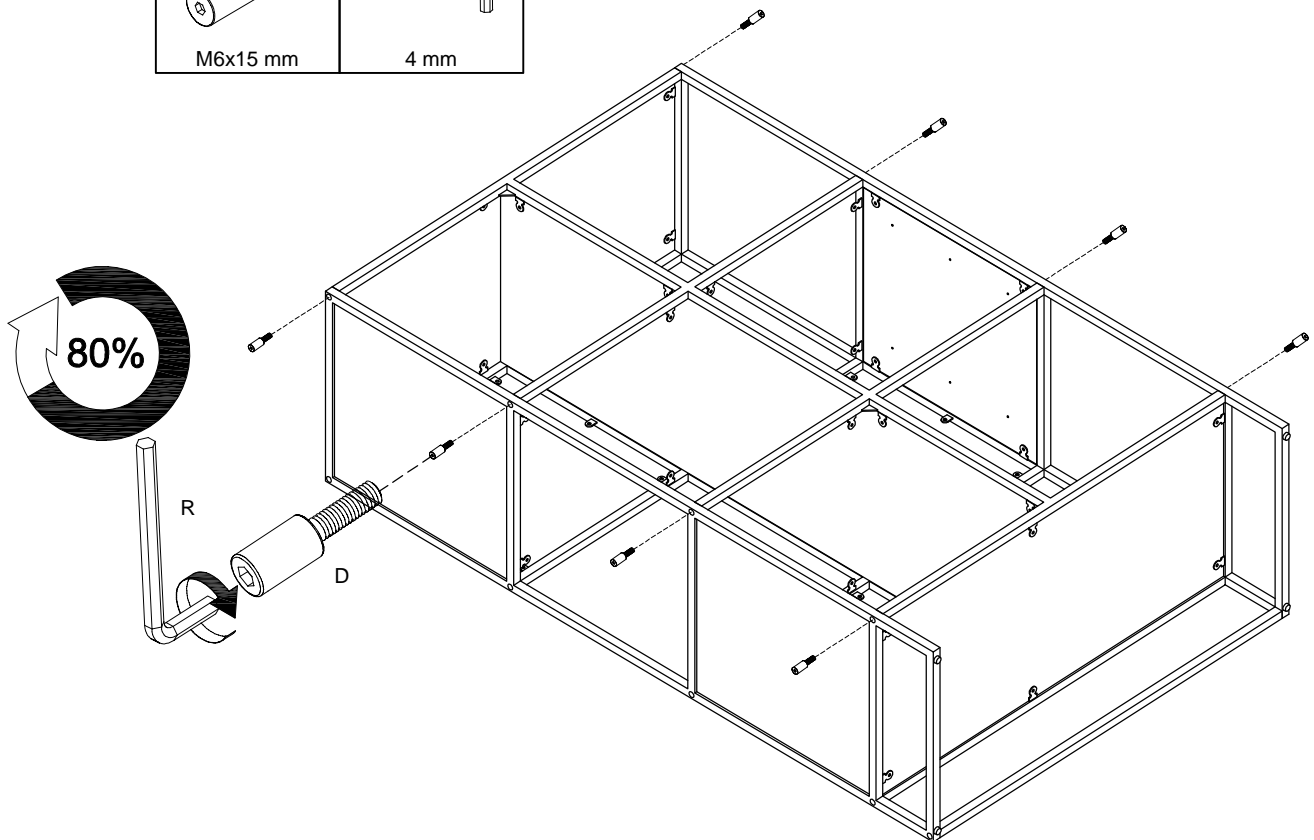
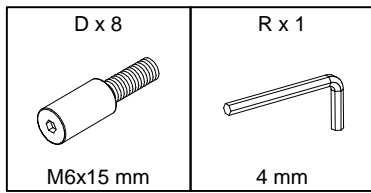
# 6



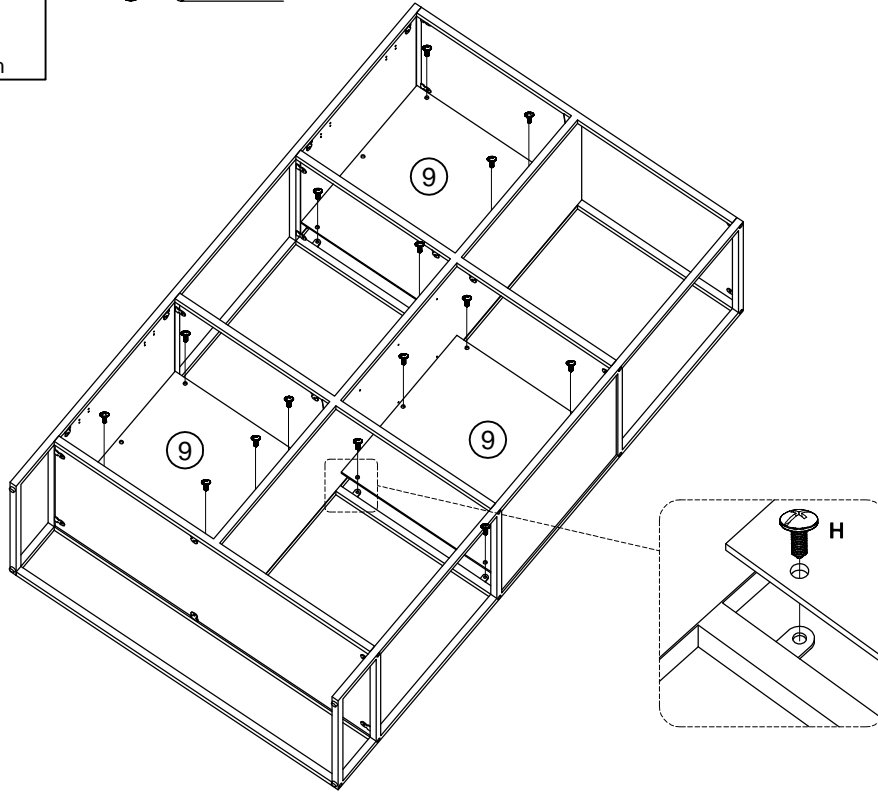
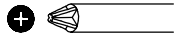
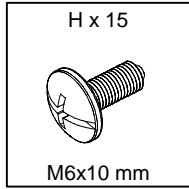
# 7



# 8

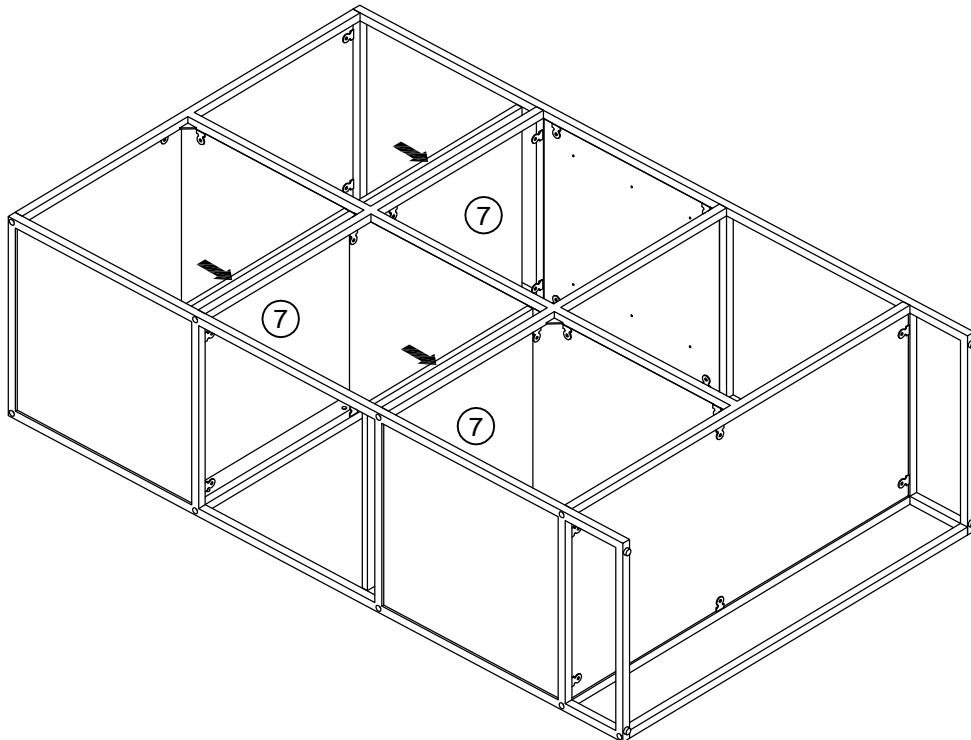


# 9



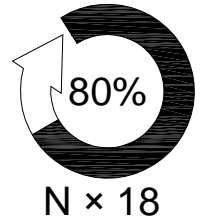
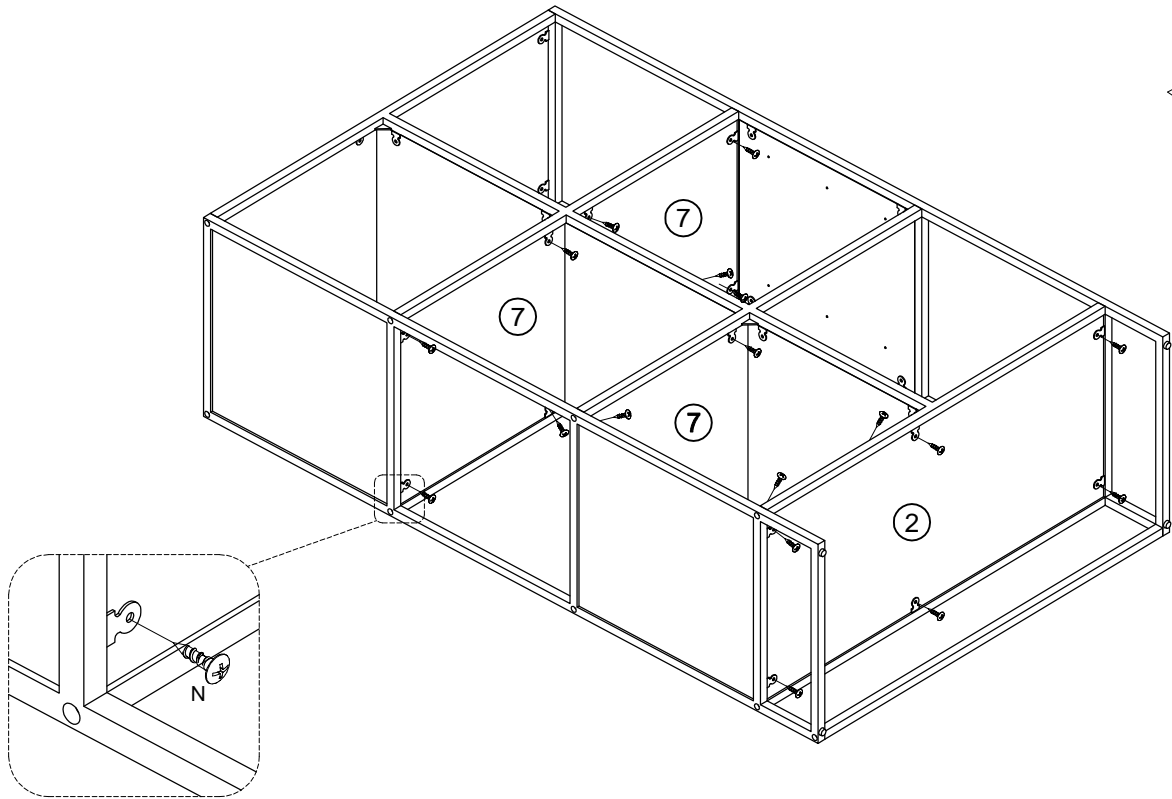
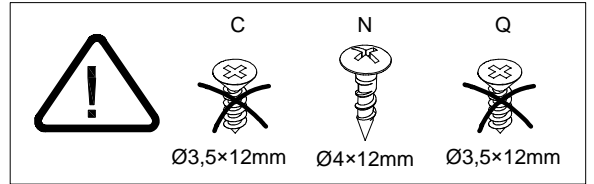
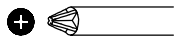
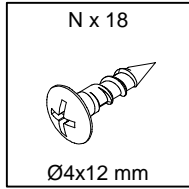
---

# 10

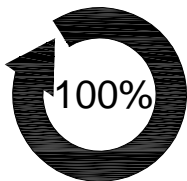
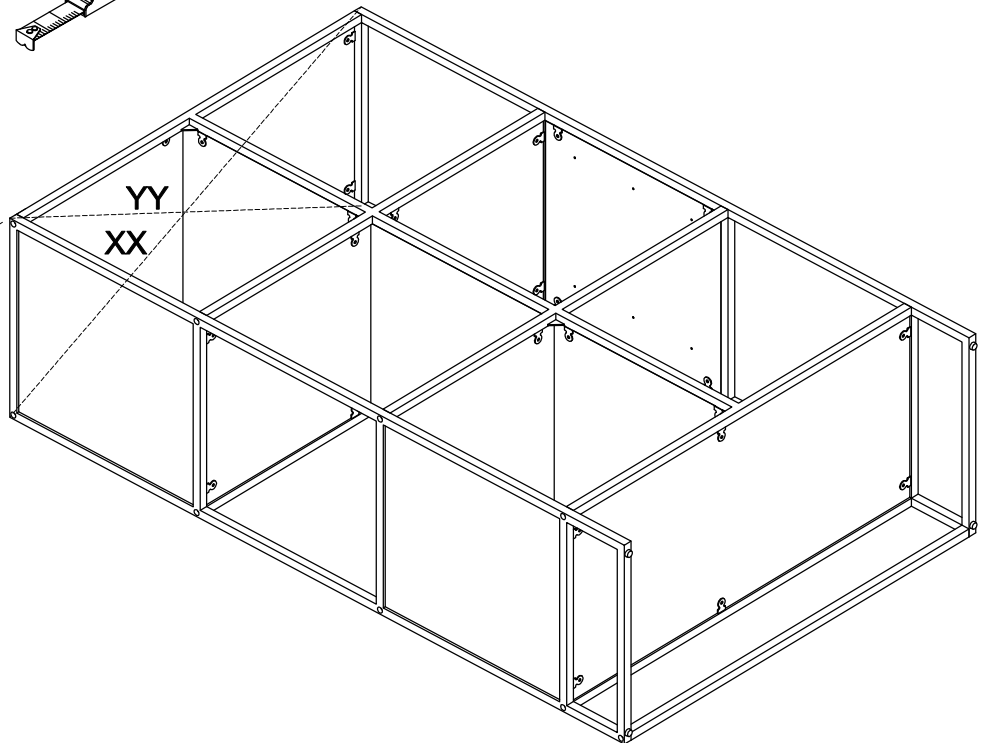
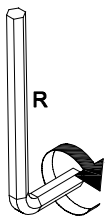
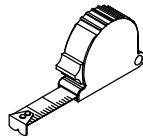
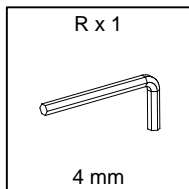




# 11

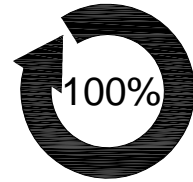
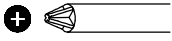


# 12

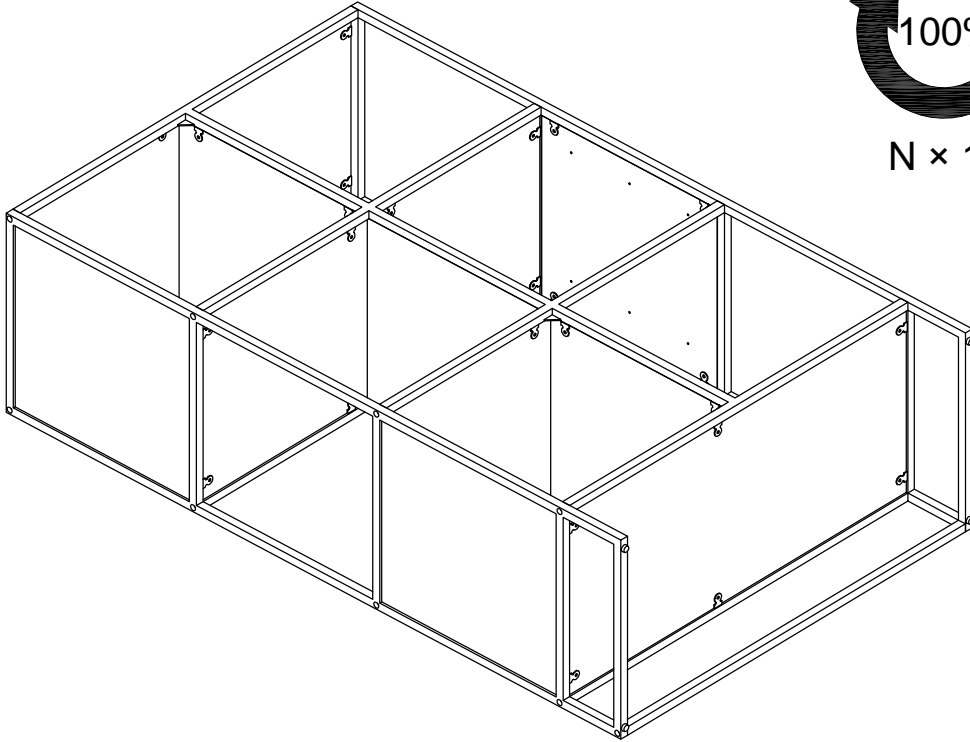


D x 18

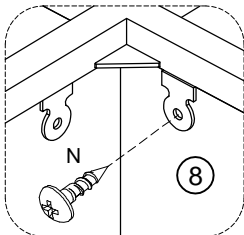
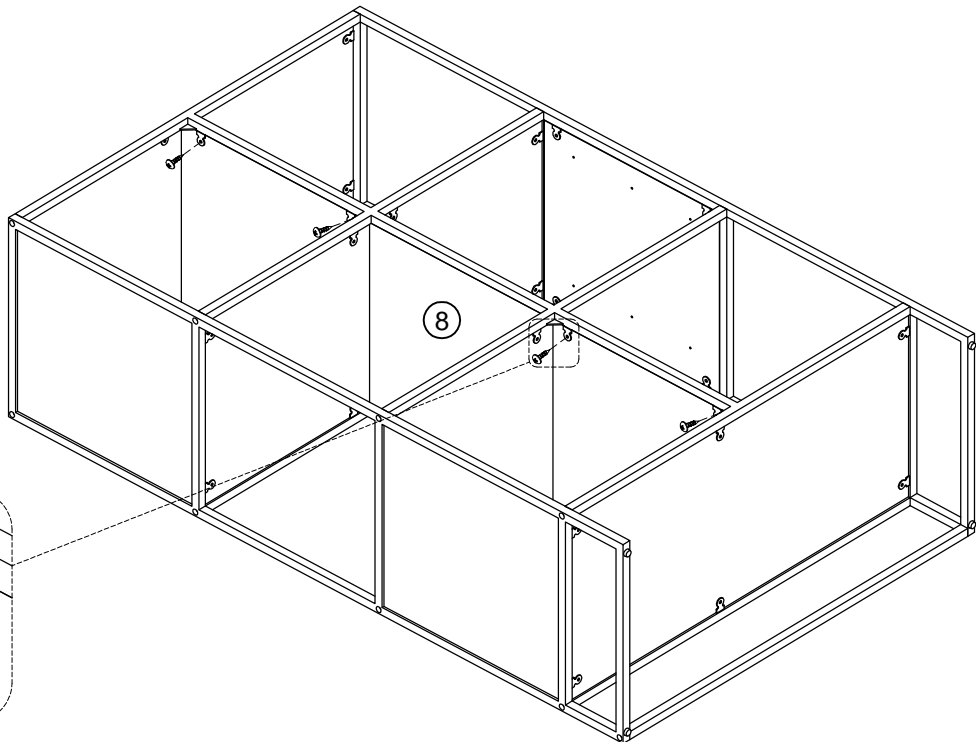
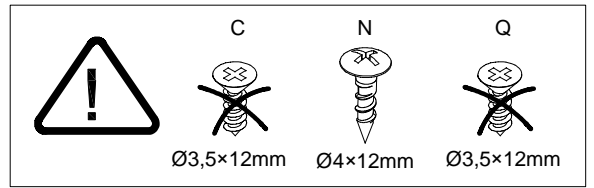
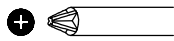
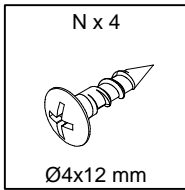
# 13



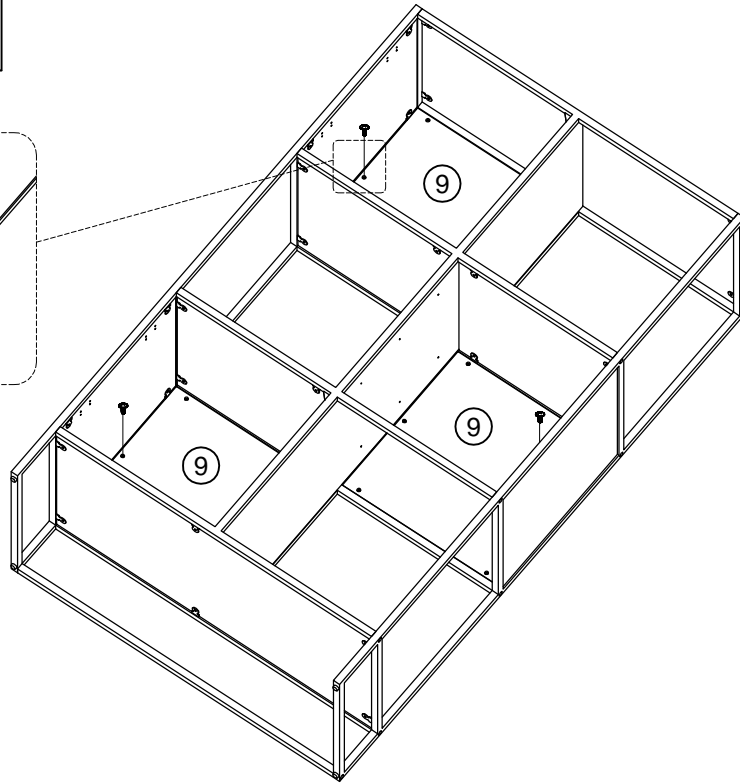
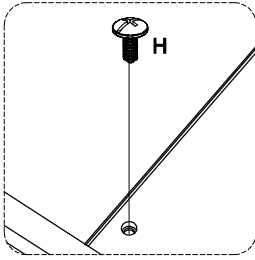
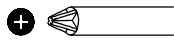
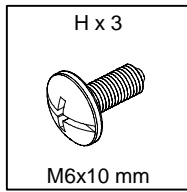
N x 18



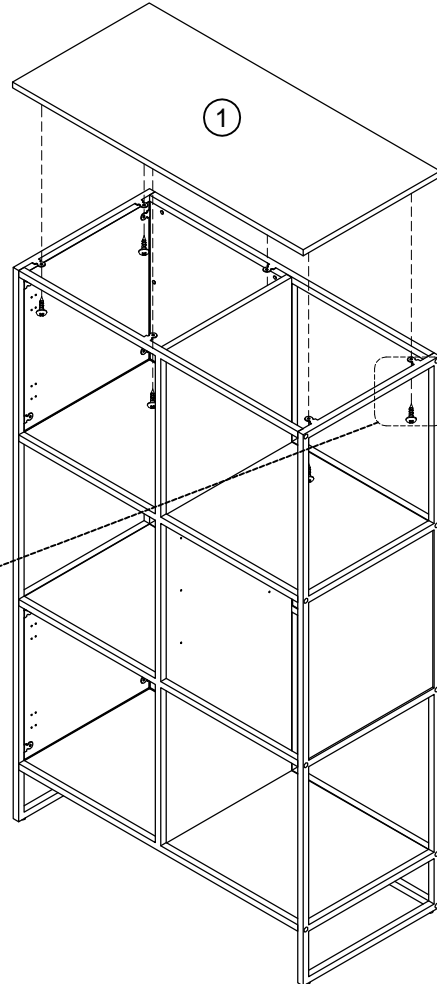
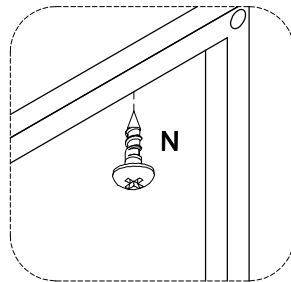
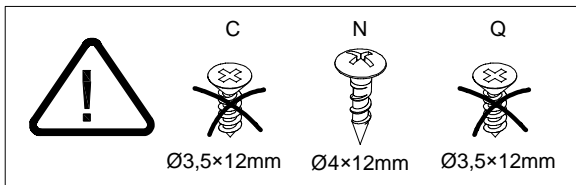
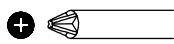
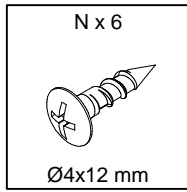
# 14



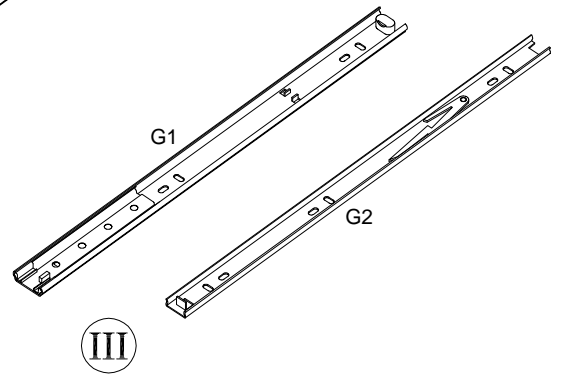
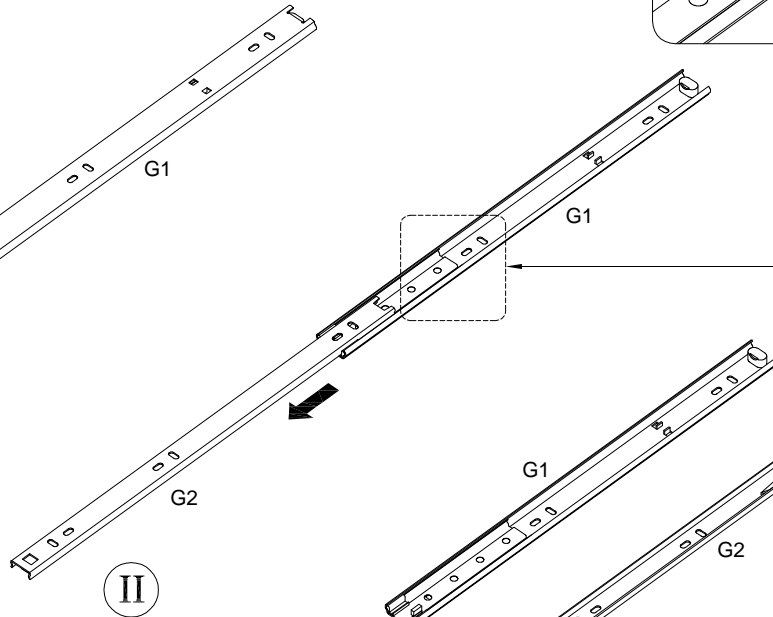
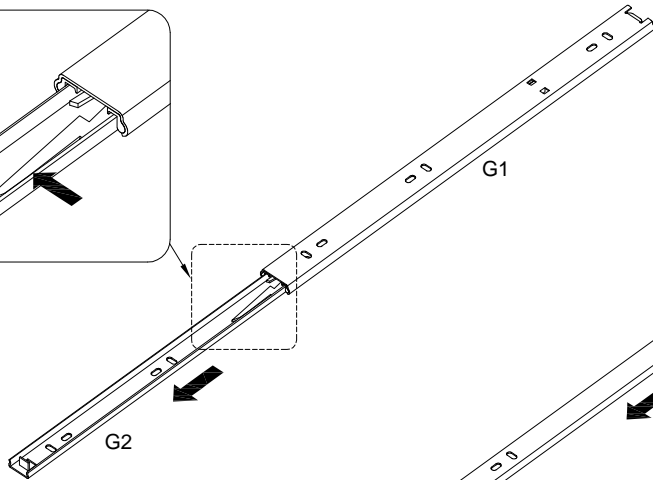
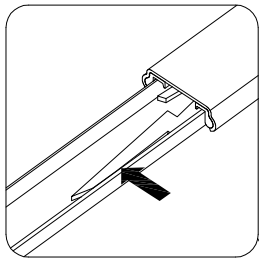
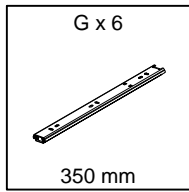
# 15



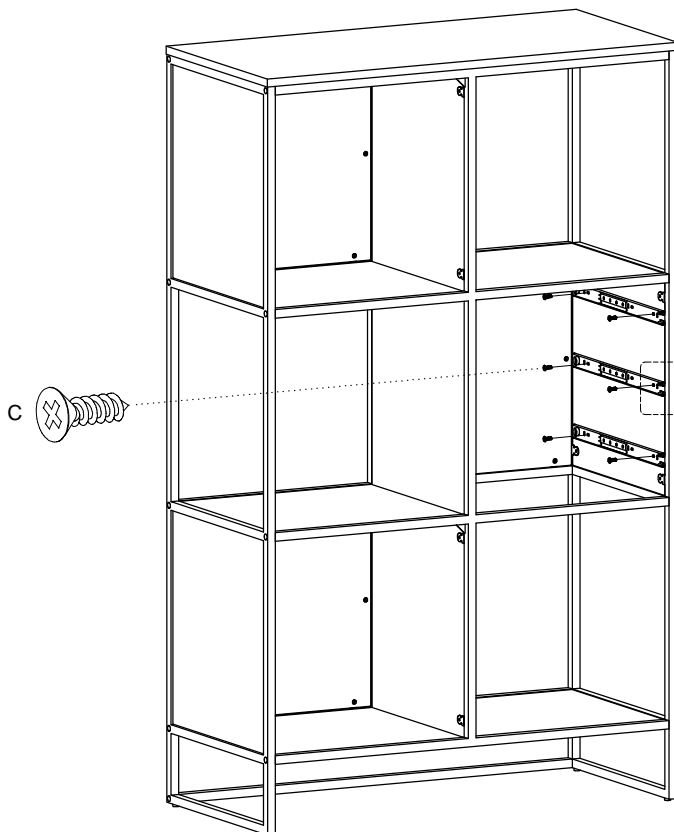
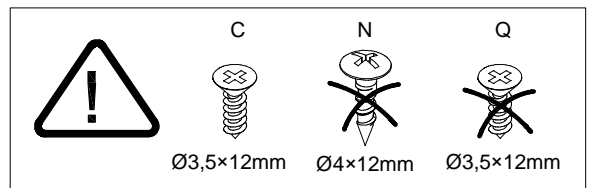
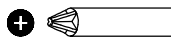
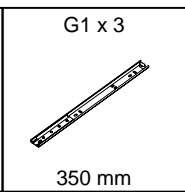
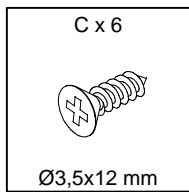
# 16



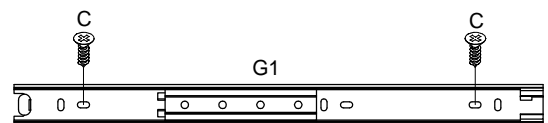
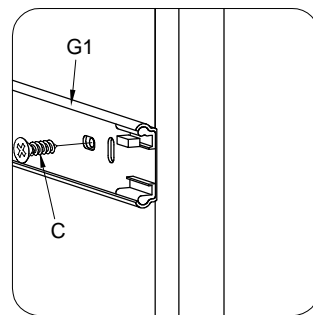
# 17



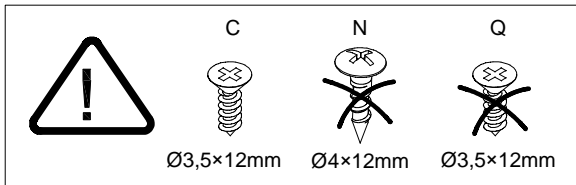
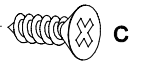
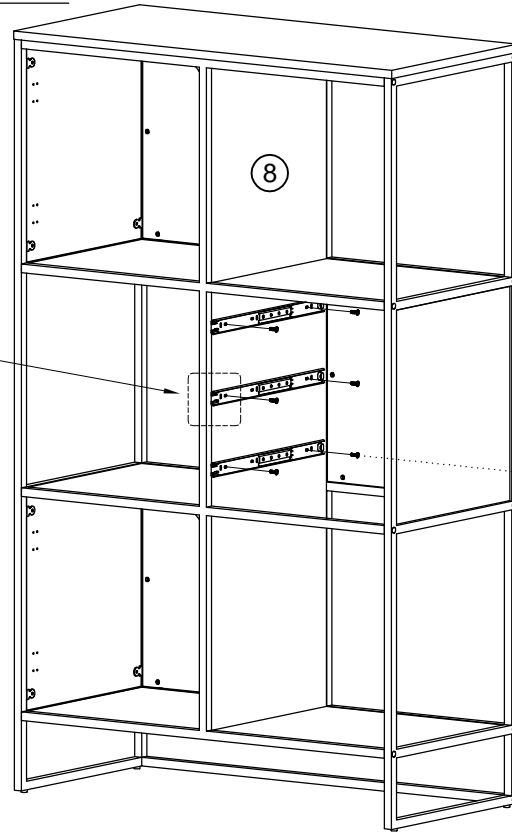
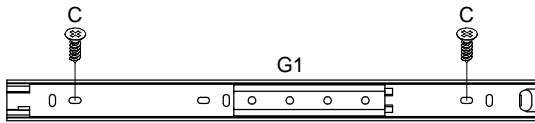
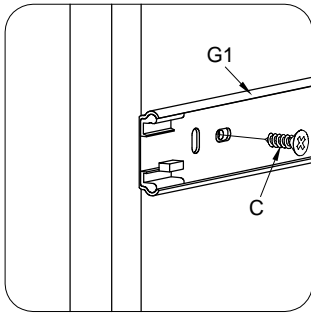
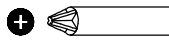
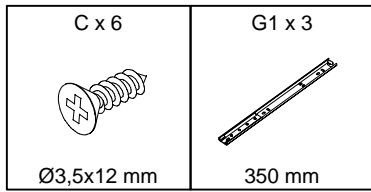
# 18



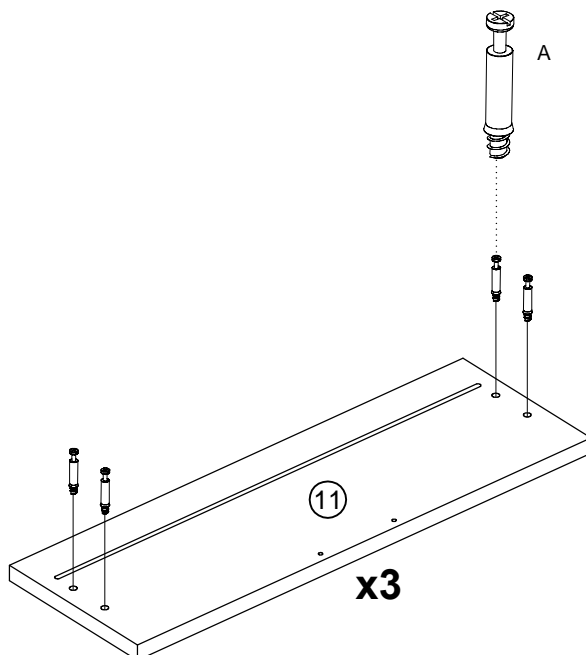
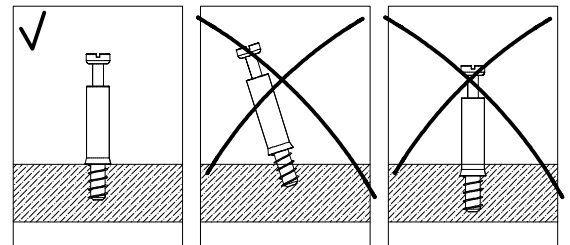
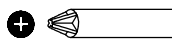
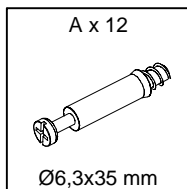
4



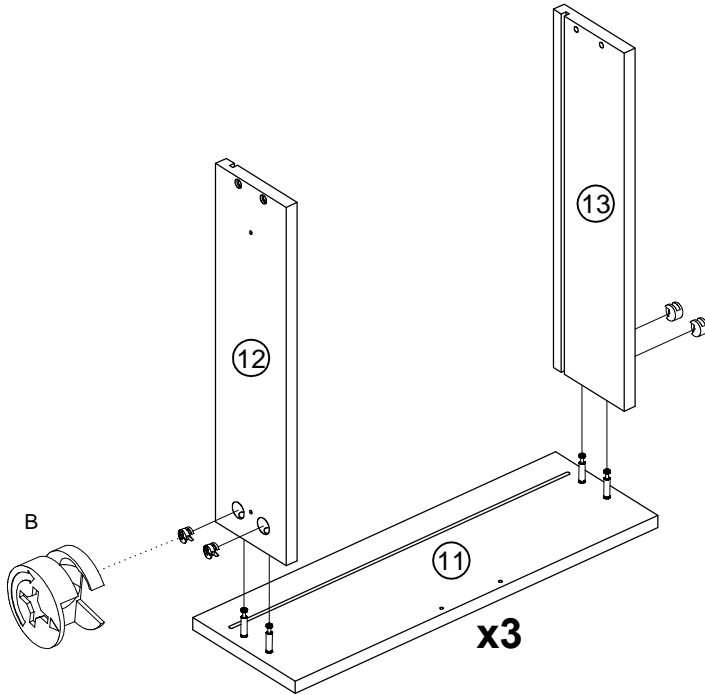
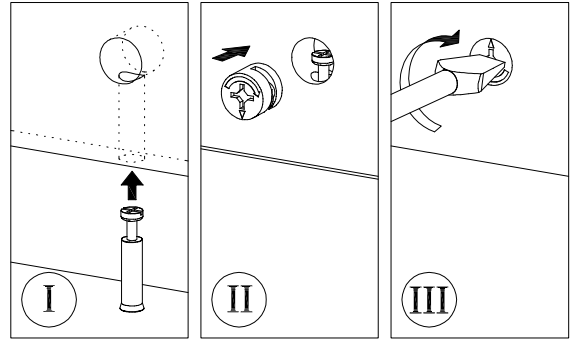
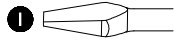
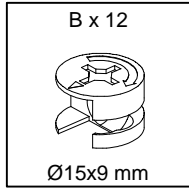
# 19



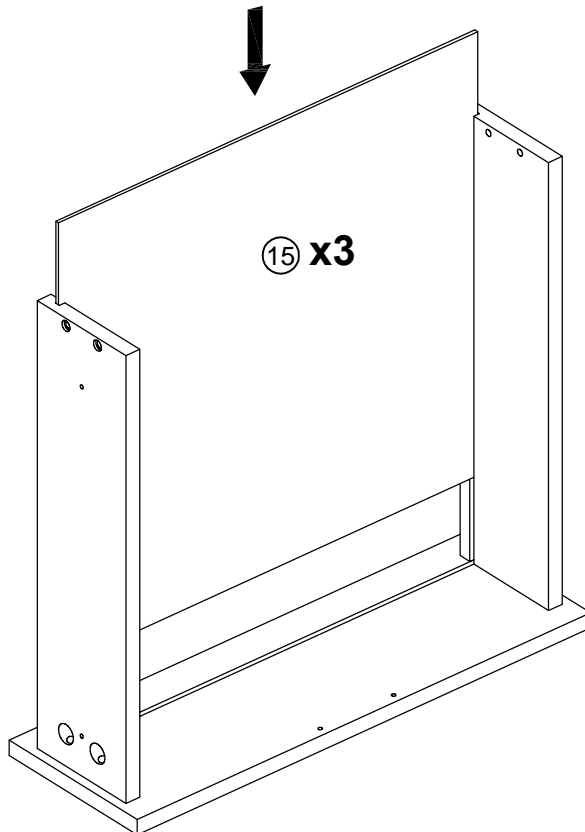
# 20



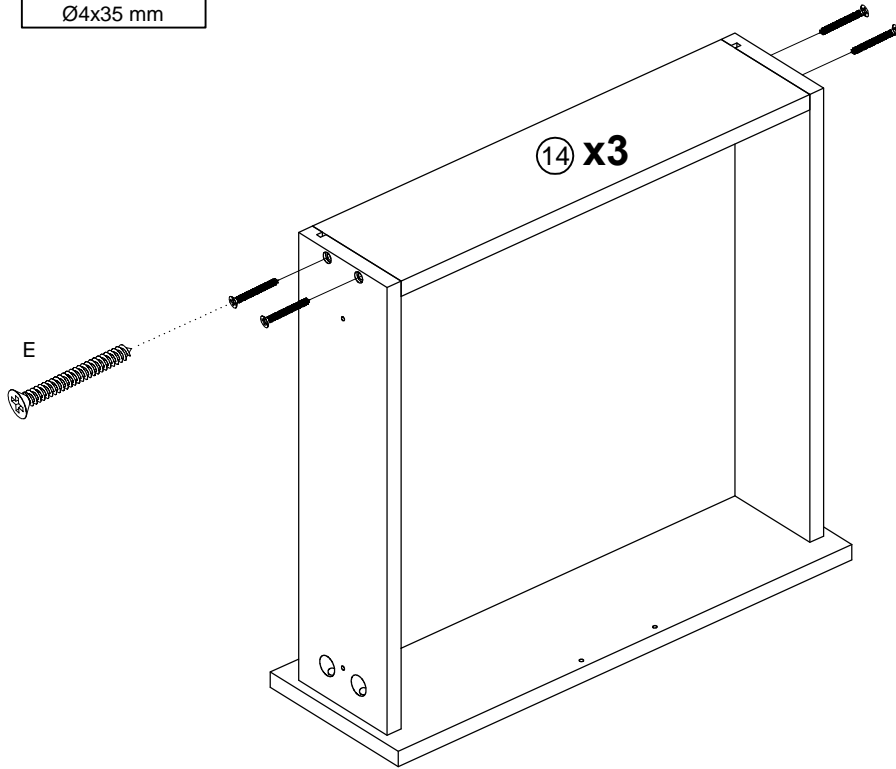
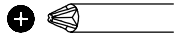
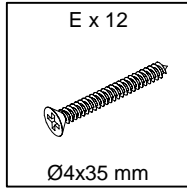
# 21



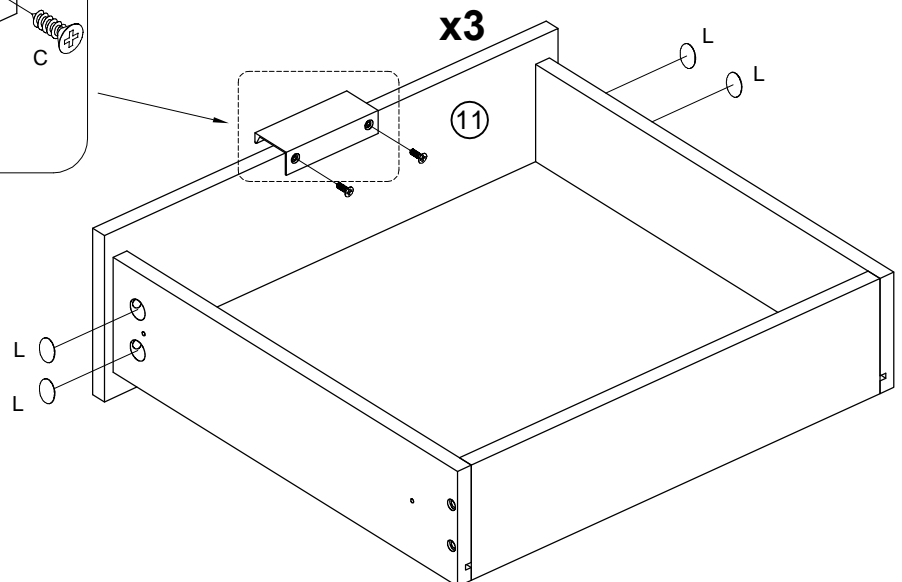
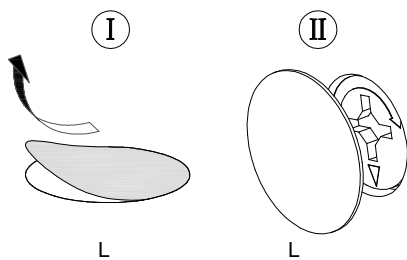
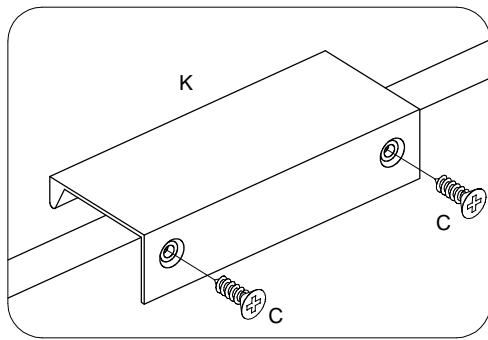
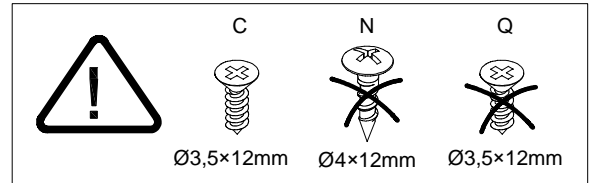
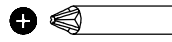
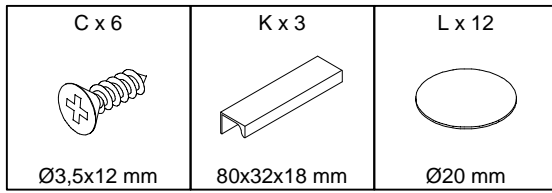
# 22



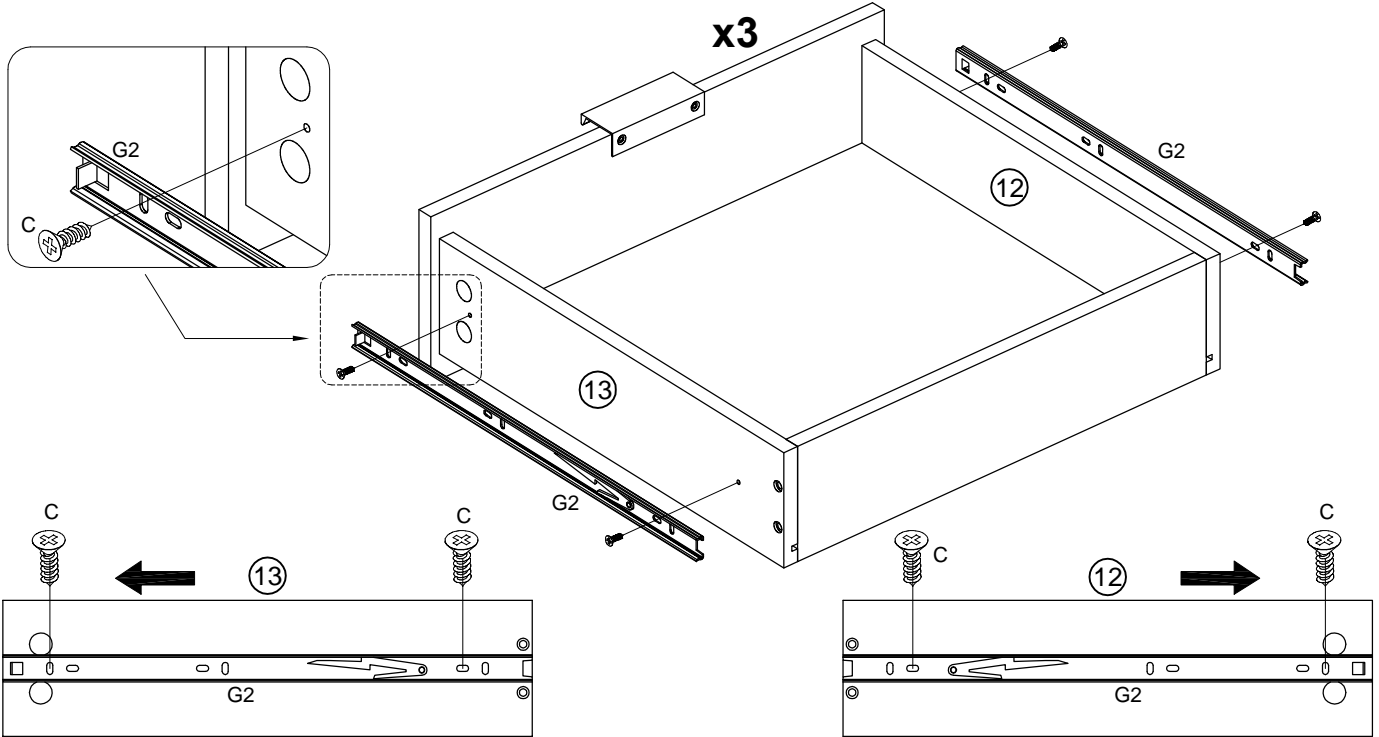
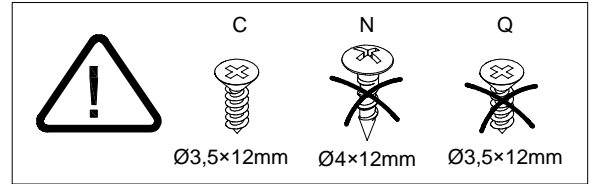
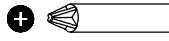
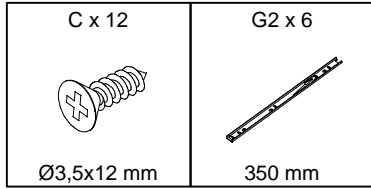
# 23



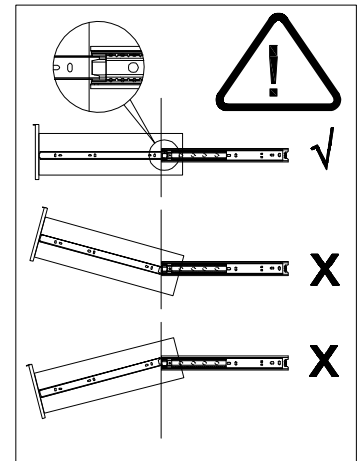
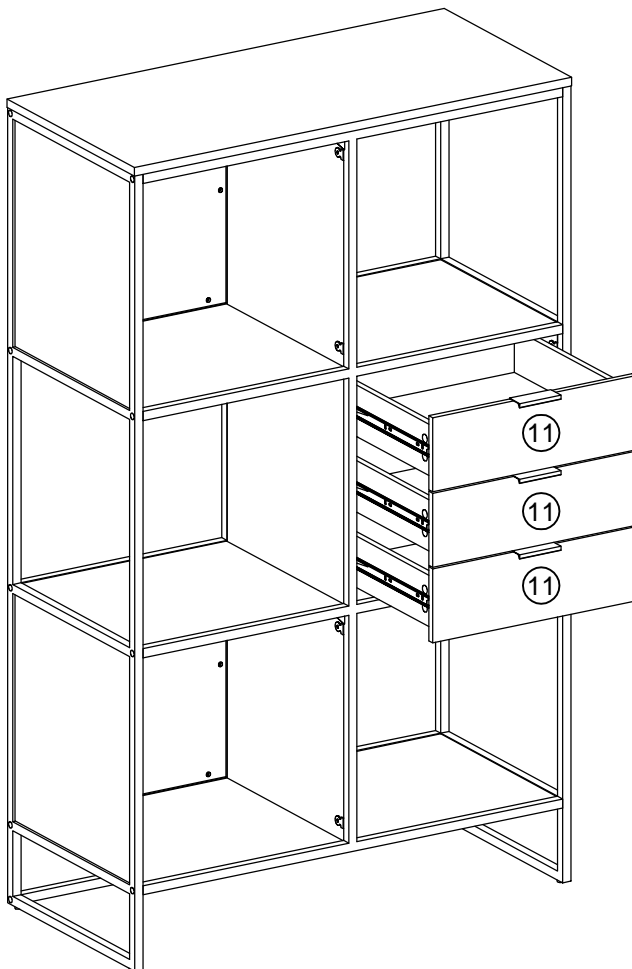
# 24



# 25

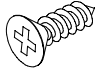



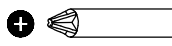
# 26







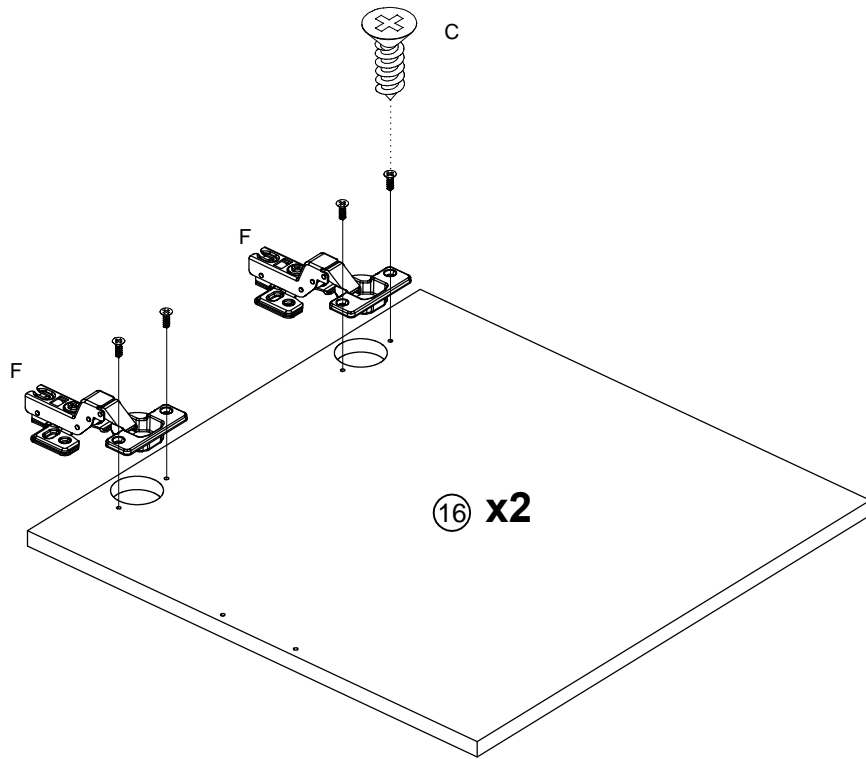


# 27

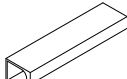

C x 8  Ø3,5x12 mm	F x 4  Ø35/FK17
--	--

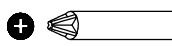






	C  Ø3,5x12mm	<del>N</del>  Ø4x12mm	<del>Q</del>  Ø3,5x12mm
--	---	--	--

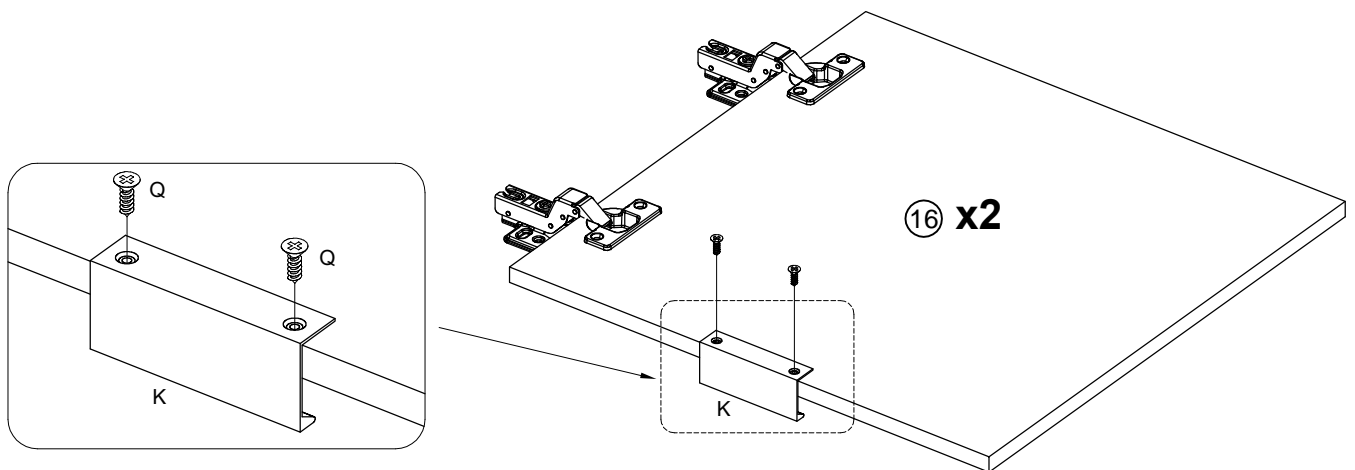


# 28

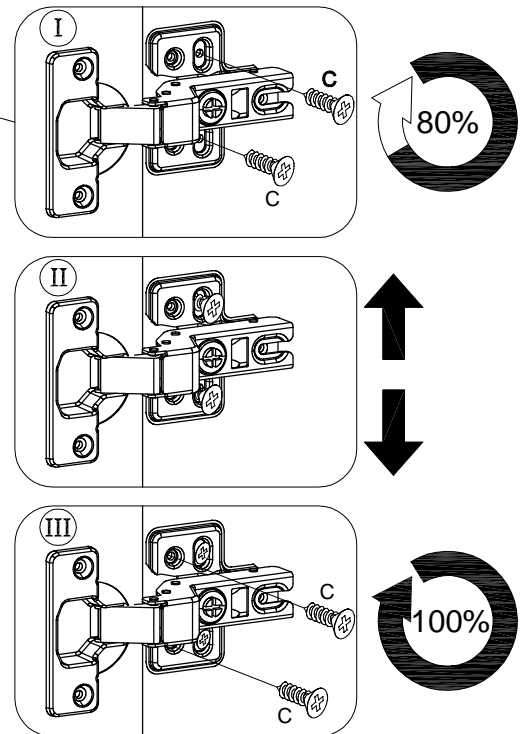
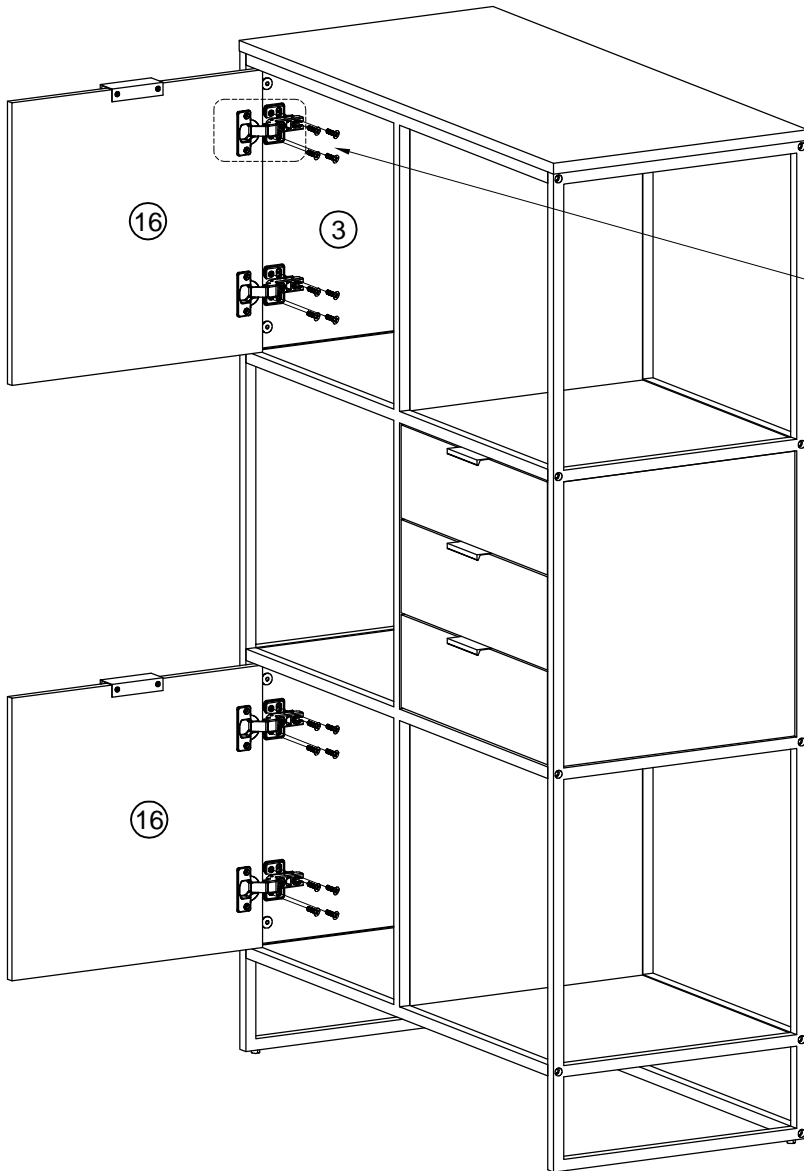
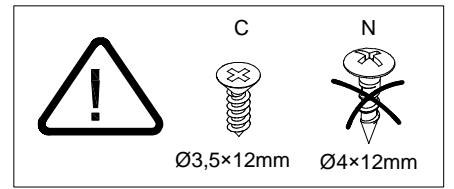
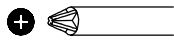
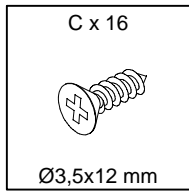
K x 2  80x32x18 mm	Q x 4  Ø3,5x12 mm
---	--



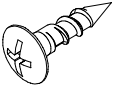

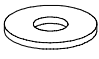
	<del>C</del>  Ø3,5x12mm	<del>N</del>  Ø4x12mm	Q  Ø3,5x12mm
--	--	--	---

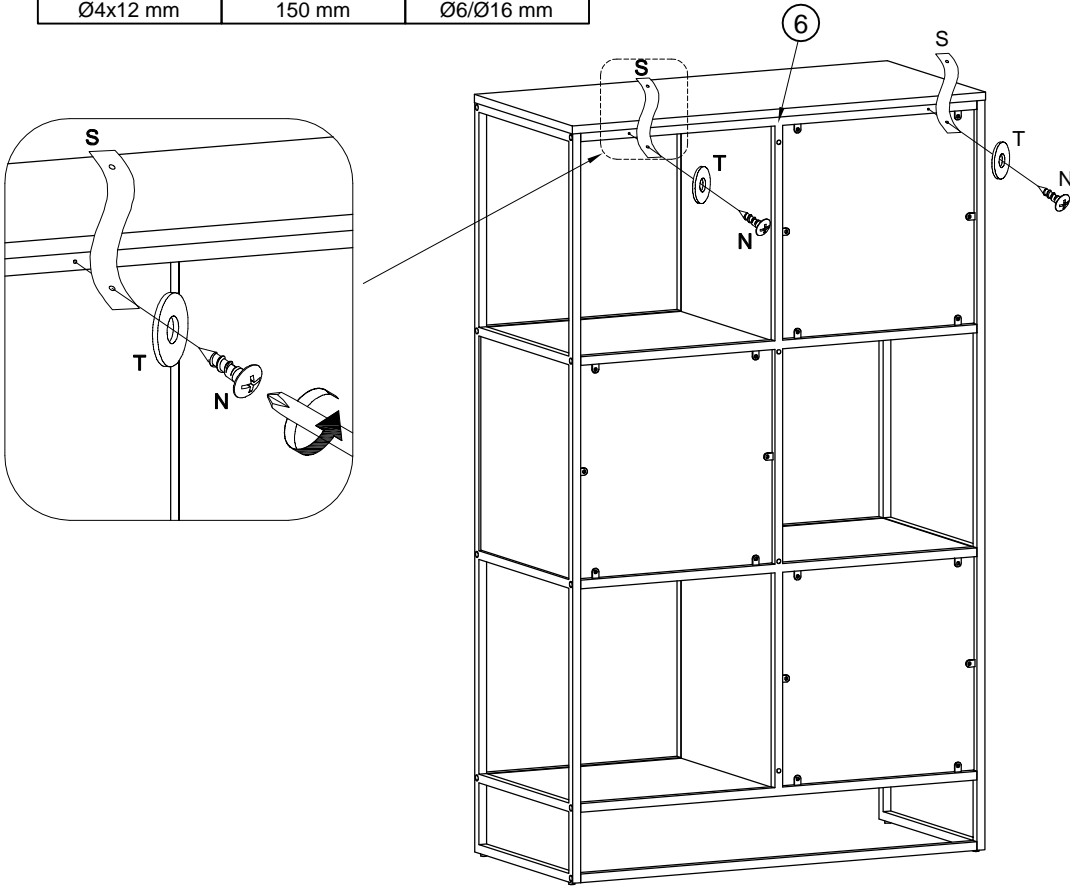
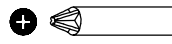


# 29

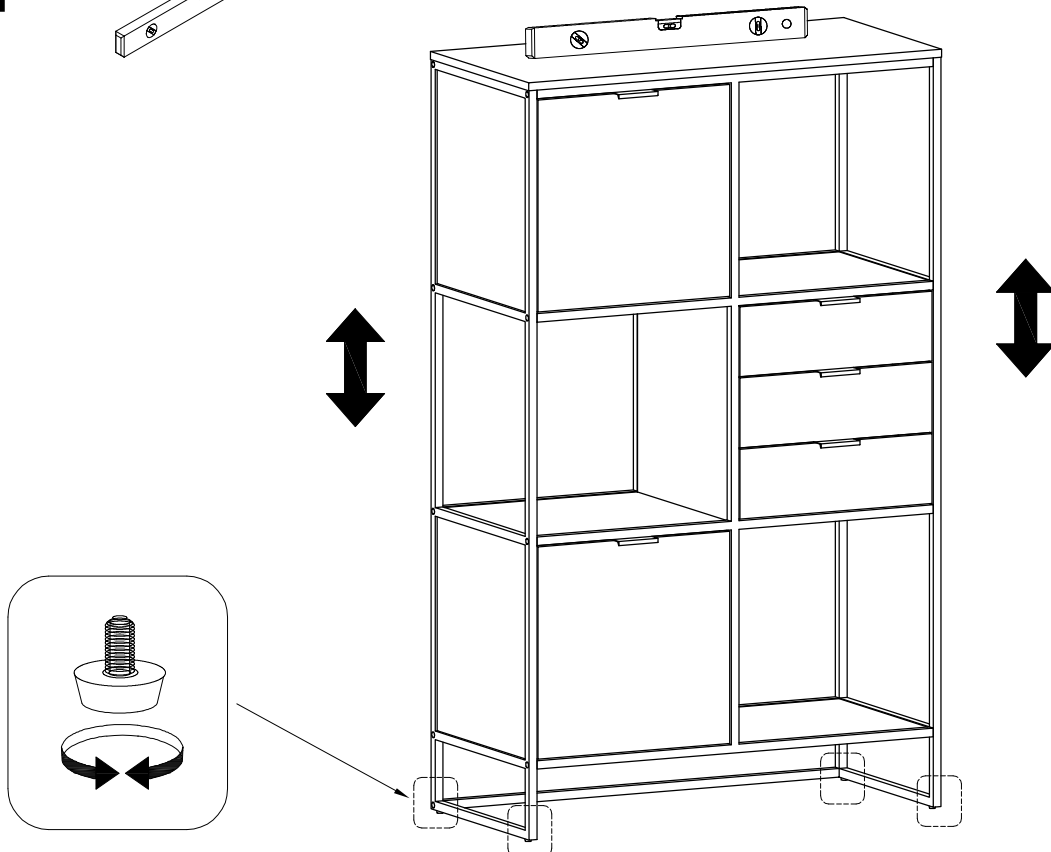
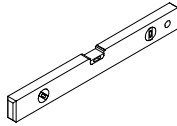


# 30

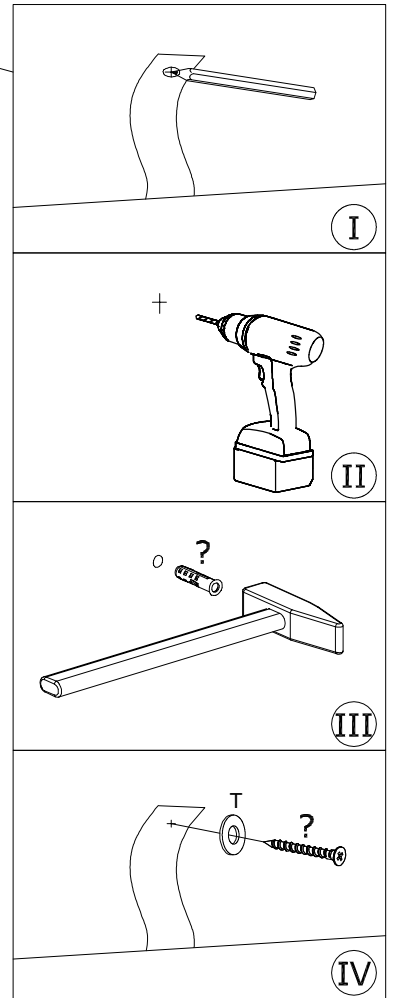
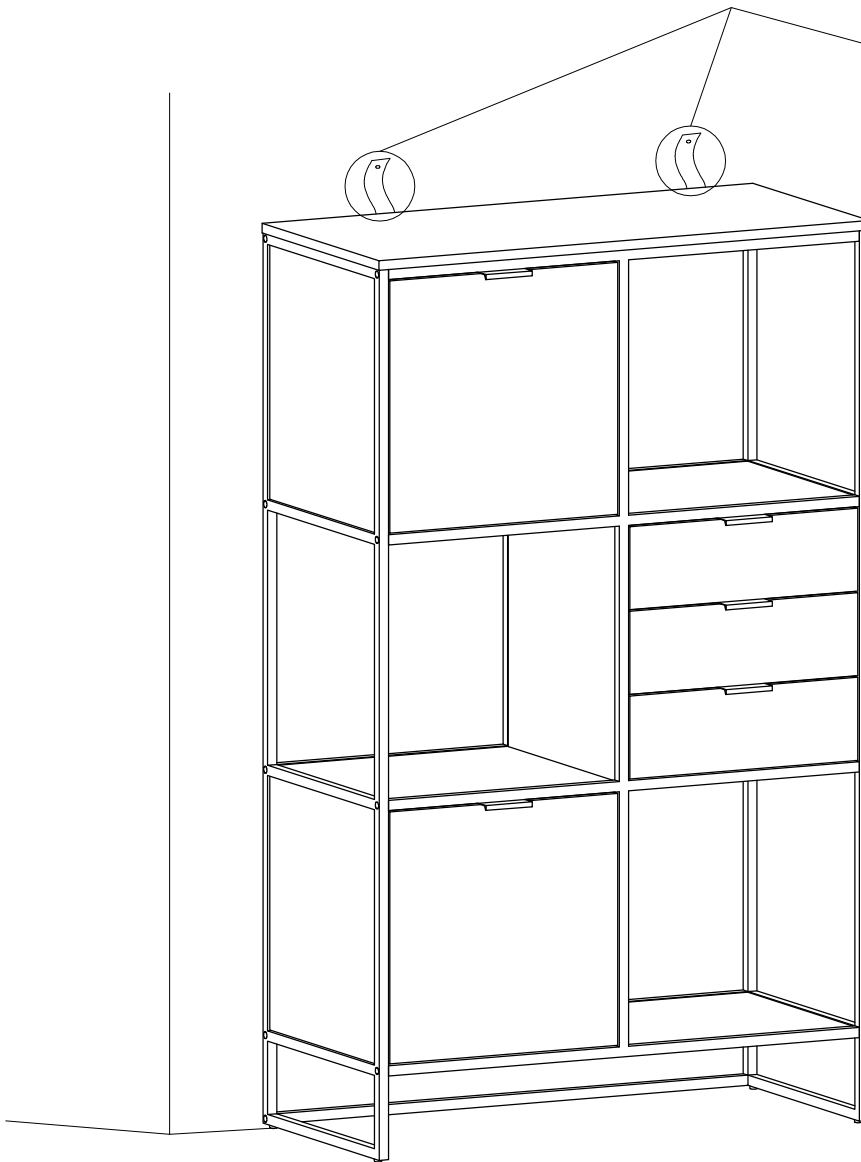
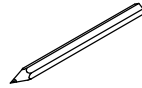
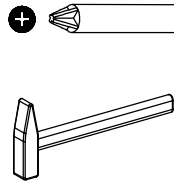
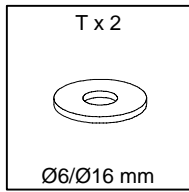
N x 2  Ø4x12 mm	S x 2  150 mm	T x 2  Ø6/Ø16 mm
--	--	---



# 31



# 32



# 33

