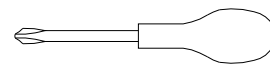
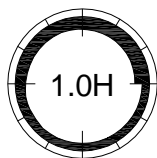
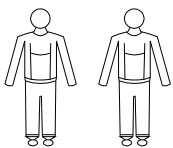
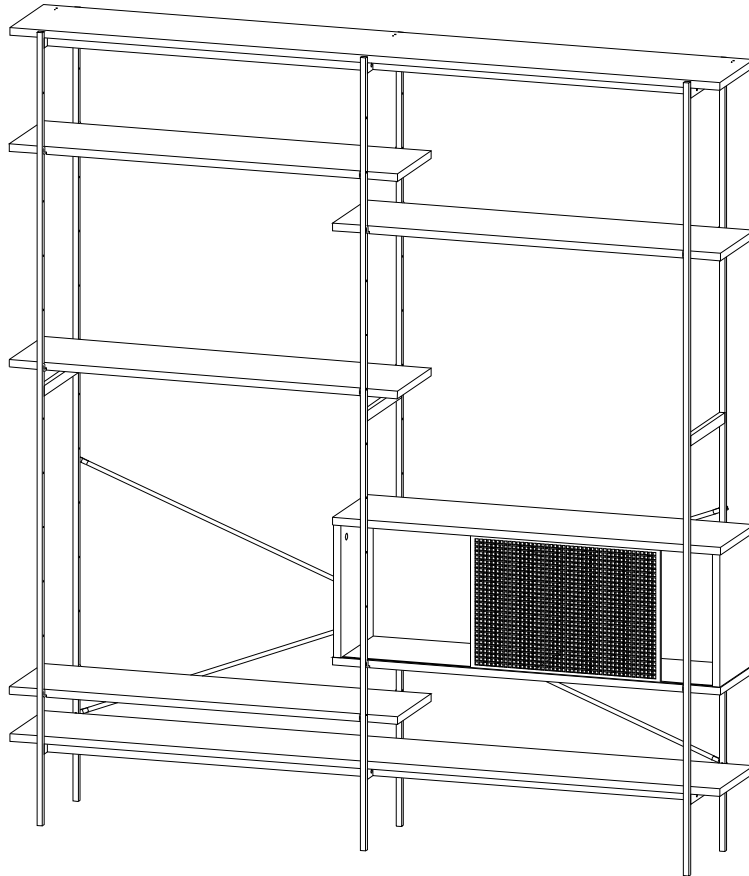
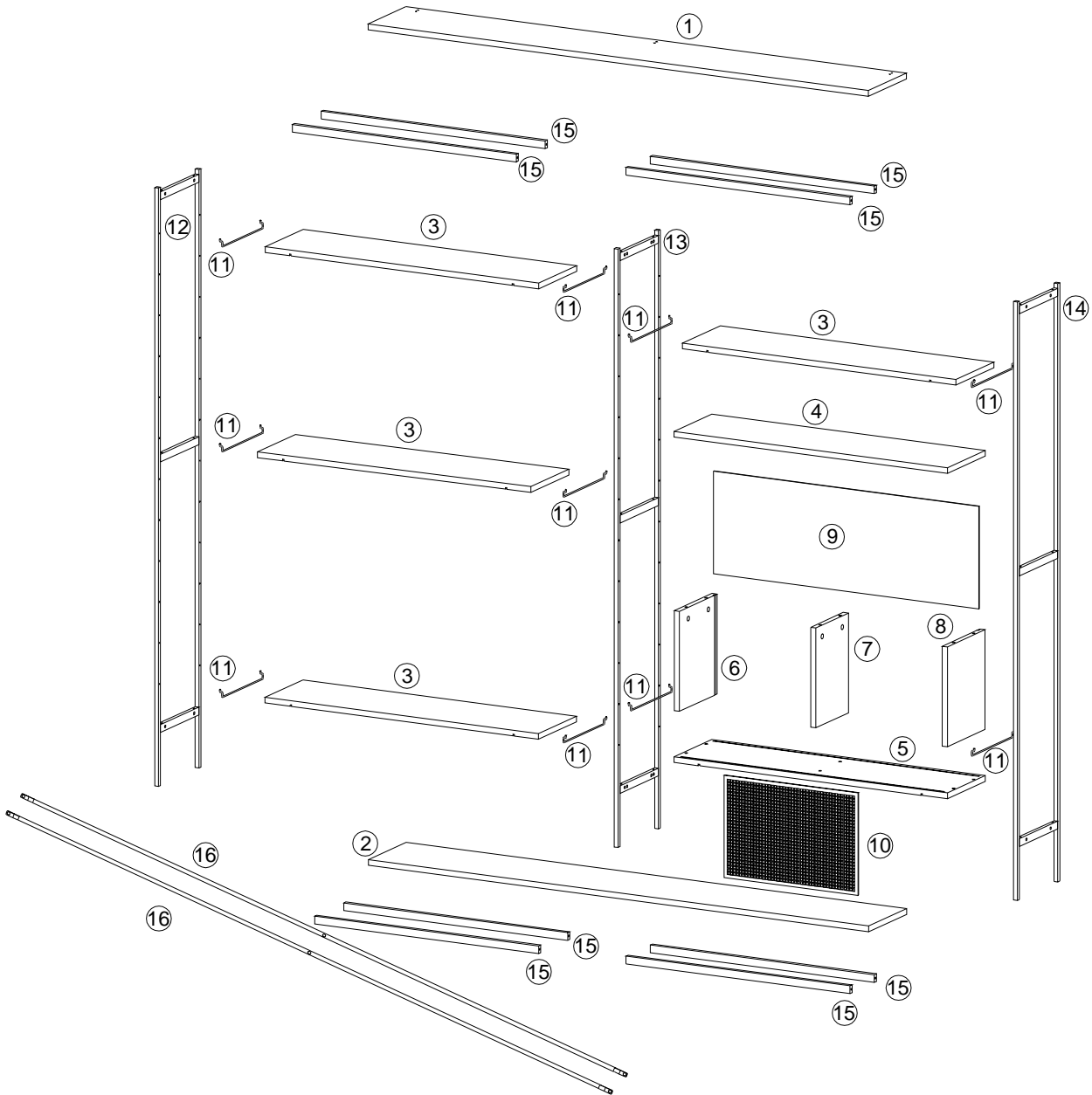
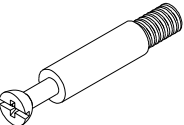
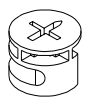


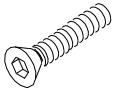
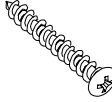
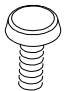

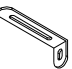
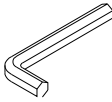




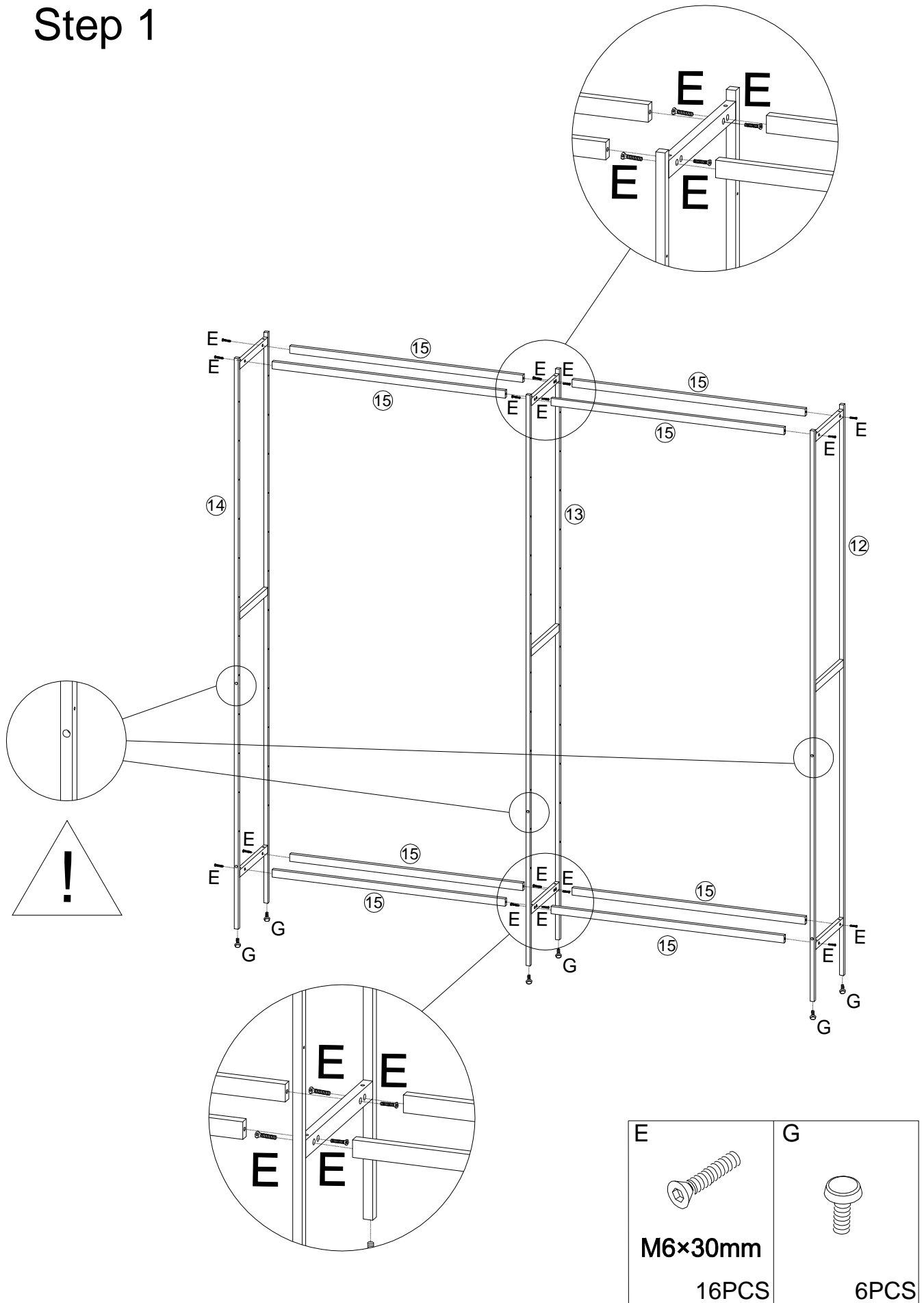
Angus



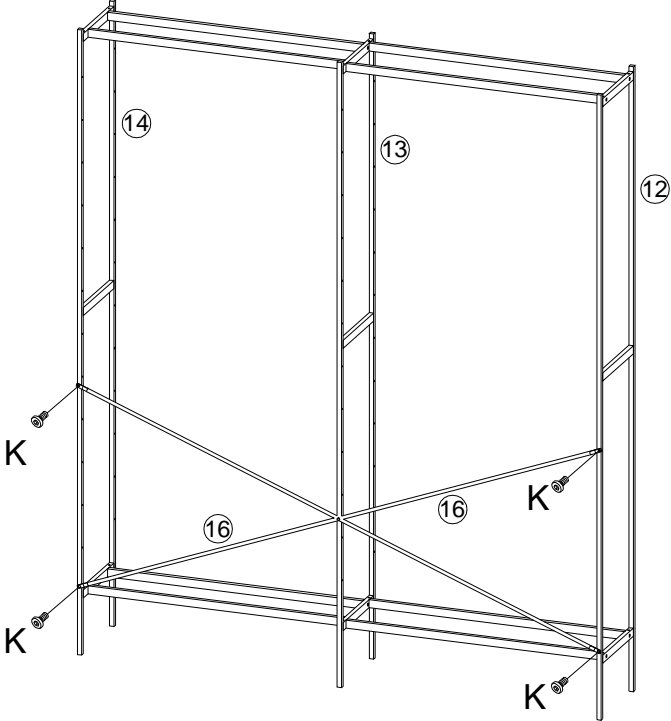
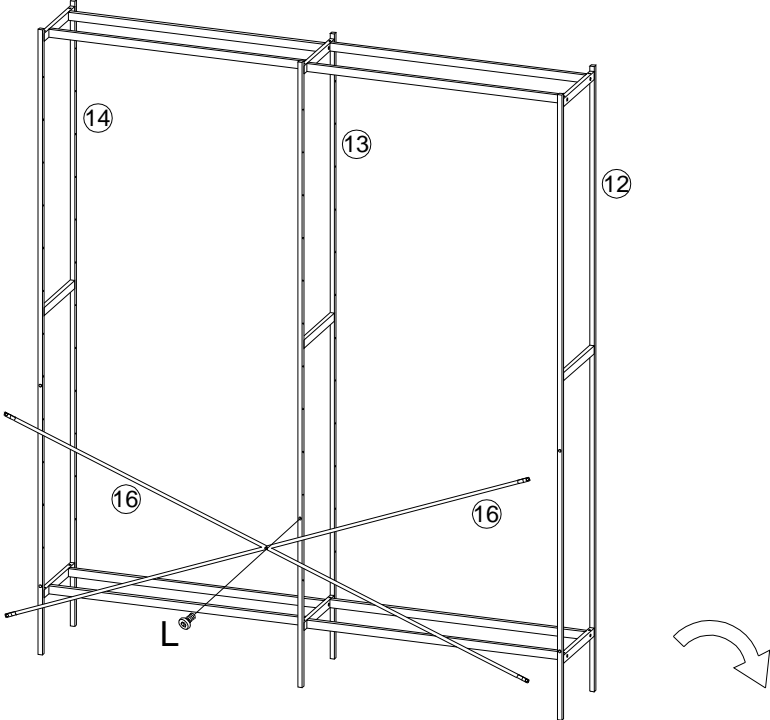



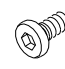
<p>A</p>  <p>M6×45mm 6PCS</p>	<p>B</p>  <p>Ø15×12mm 6PCS</p>	<p>C</p>  <p>Ø8×30mm 12PCS</p>	<p>D</p>  <p>M7×38mm 6PCS</p>	<p>E</p>  <p>M6×30mm 16PCS</p>	<p>F</p>  <p>M4×35mm 12PCS</p>
<p>G</p>  <p>6PCS</p>	<p>H</p>  <p>M4×15mm 6PCS</p>	<p>I</p>  <p>3PCS</p>	<p>J</p>  <p>4mm 1PC</p>	<p>K</p>  <p>M6×12mm 4PCS</p>	<p>L</p>  <p>M6×18mm 1PC</p>

Step 1

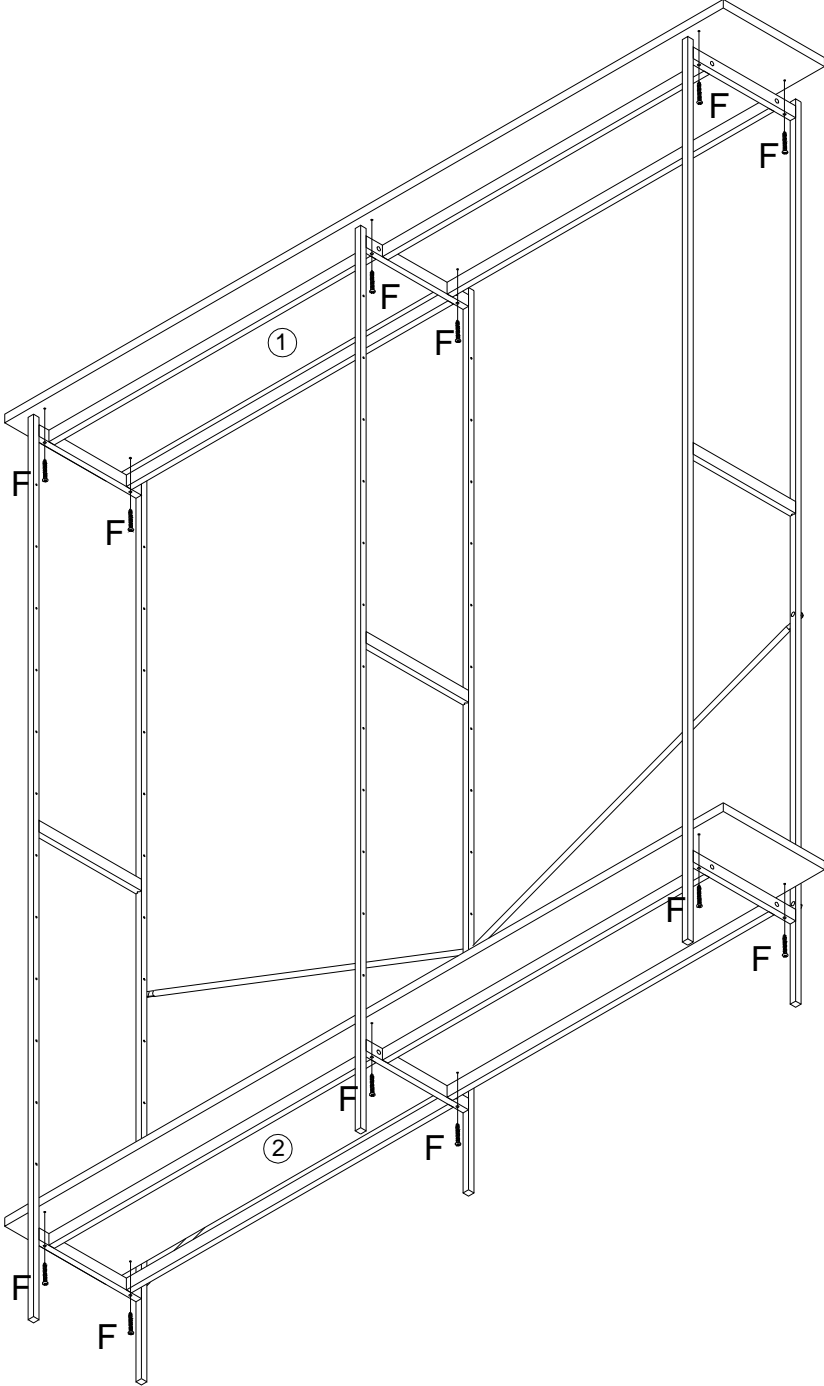


Step 2



<p>K</p>  <p>M6×12mm</p> <p>4PCS</p>	<p>L</p>  <p>M6×18mm</p> <p>1PC</p>
--------------------------------------------------------------------------------------------------------------------------------	-------------------------------------------------------------------------------------------------------------------------------

Step 3

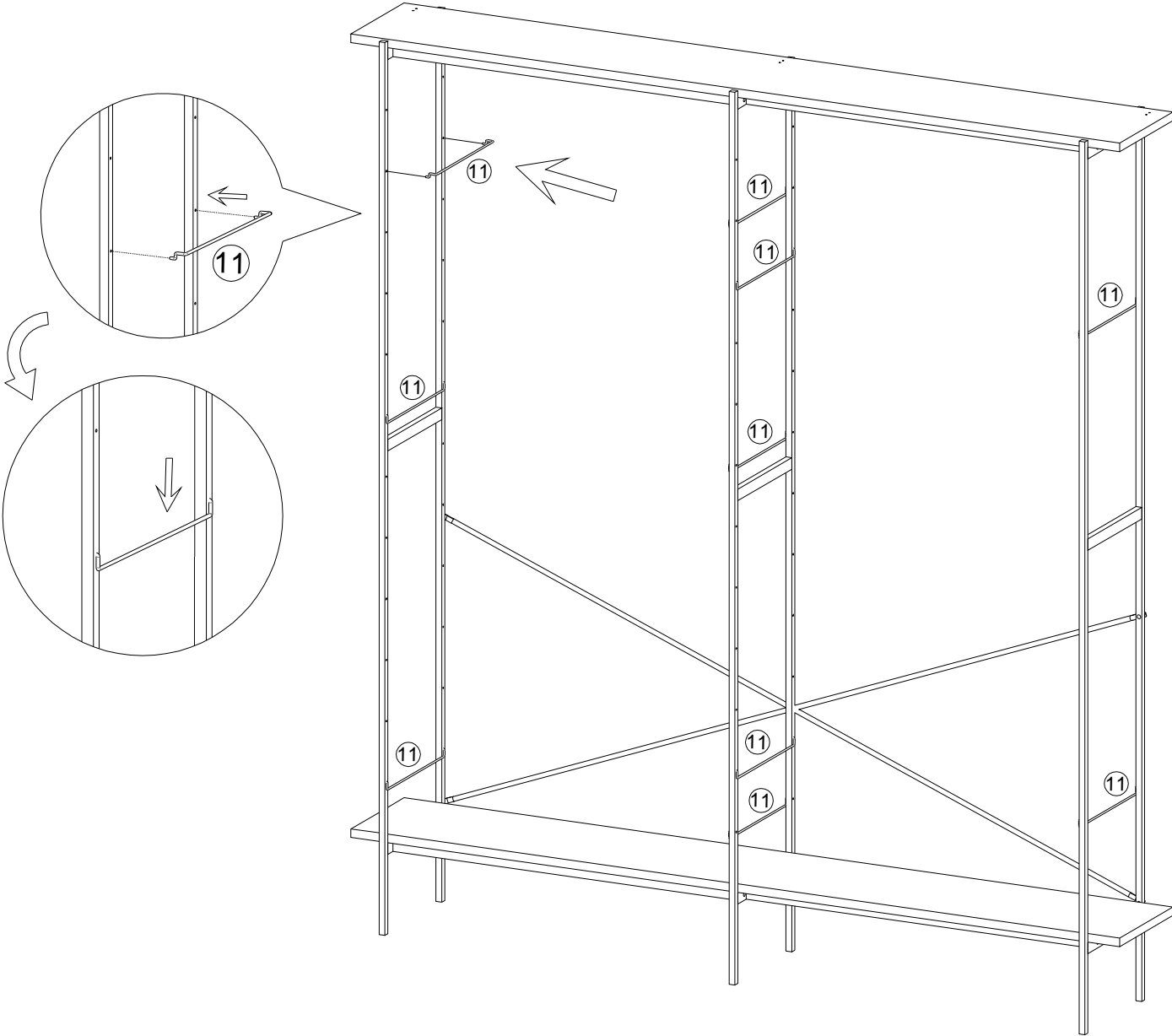


F

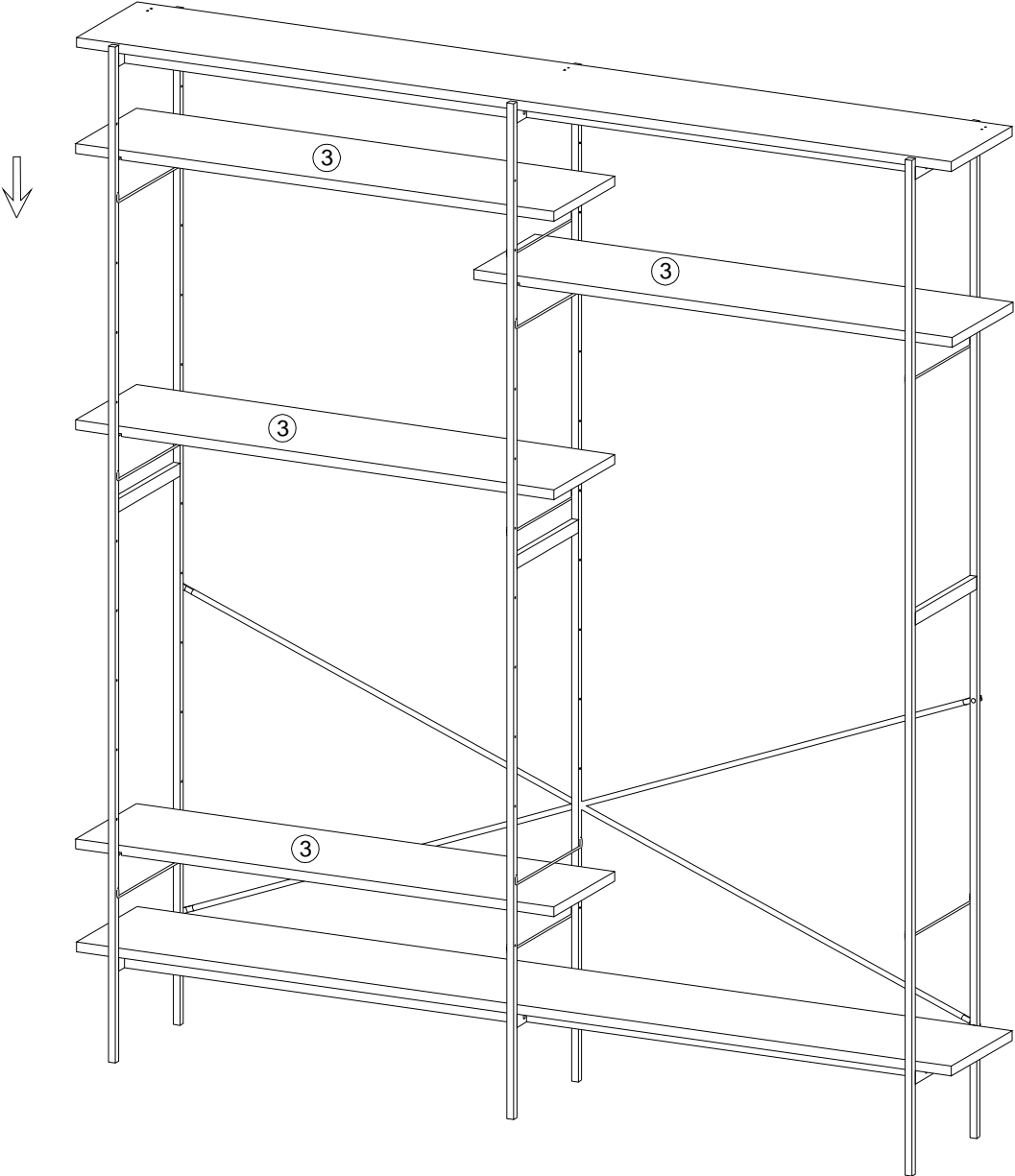
M4×35mm
12PCS

Step 4

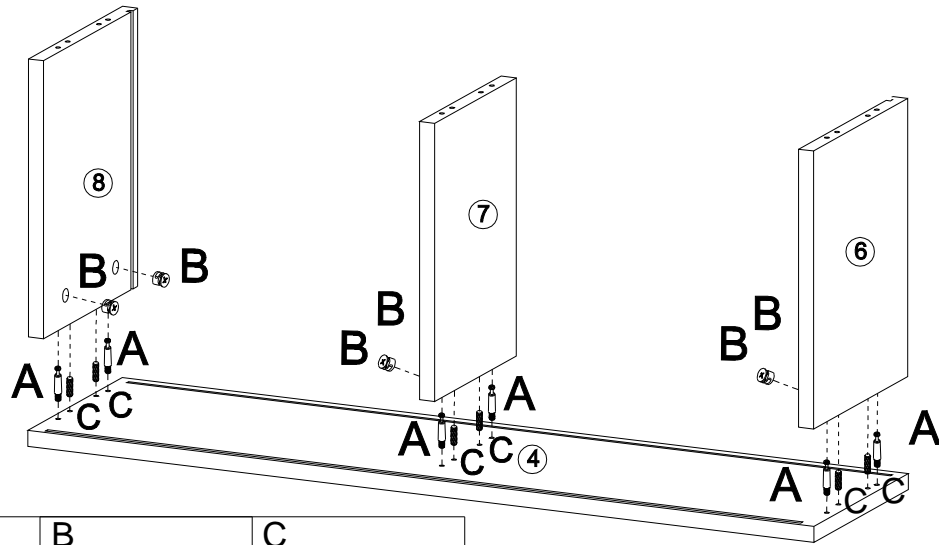
11x10 PCS

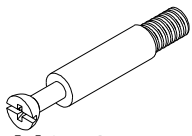
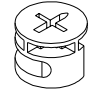



Step 5

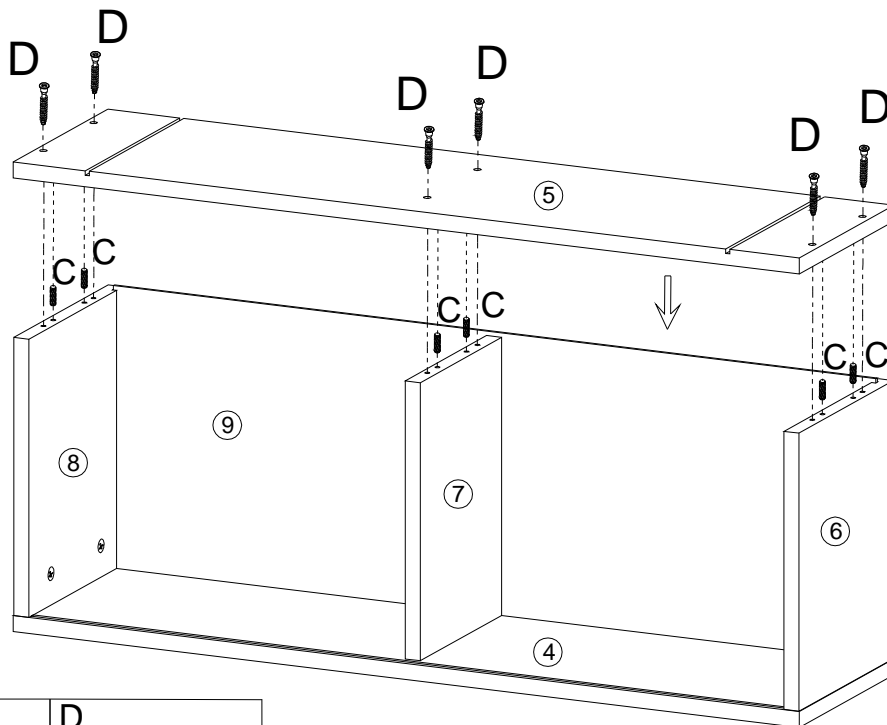



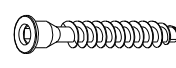
Step 6



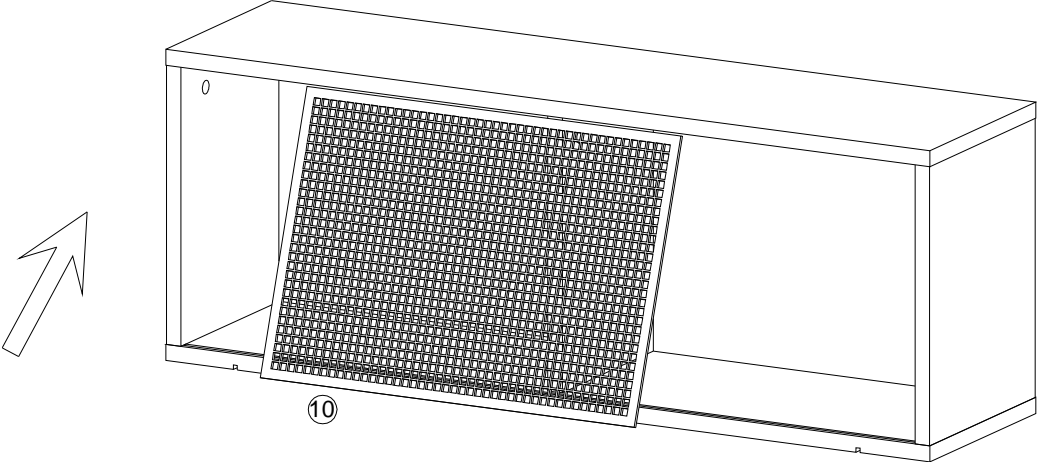
<p>A</p>  <p>M6×45mm</p> <p>6PCS</p>	<p>B</p>  <p>Ø15×12mm</p> <p>6PCS</p>	<p>C</p>  <p>Ø8×30mm</p> <p>6PCS</p>
-----------------------------------------------------------------------------------------------------------------------	------------------------------------------------------------------------------------------------------------------------	-----------------------------------------------------------------------------------------------------------------------

Step 7

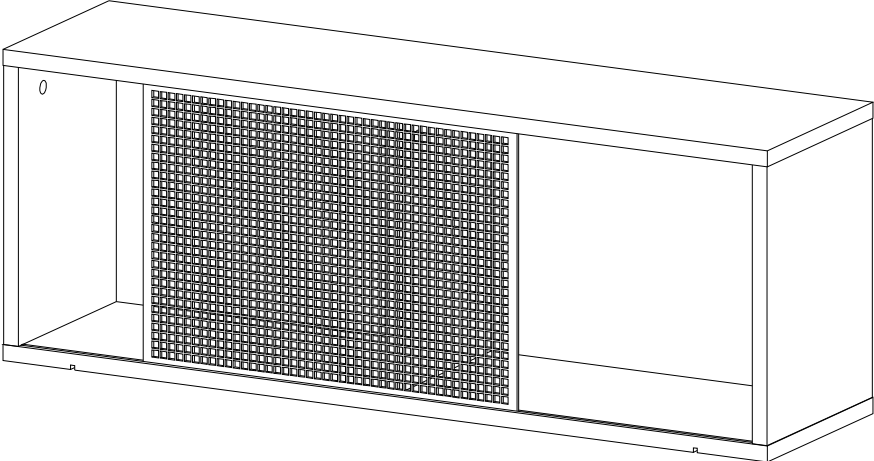


<p>C</p>  <p>Ø8×30mm</p> <p>6PCS</p>	<p>D</p>  <p>M7×38mm</p> <p>6PCS</p>
-------------------------------------------------------------------------------------------------------------------------	-------------------------------------------------------------------------------------------------------------------------

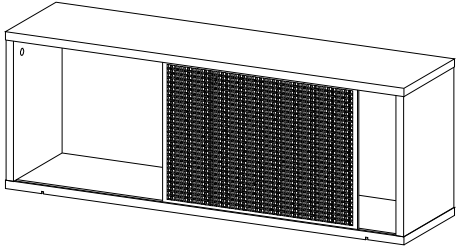
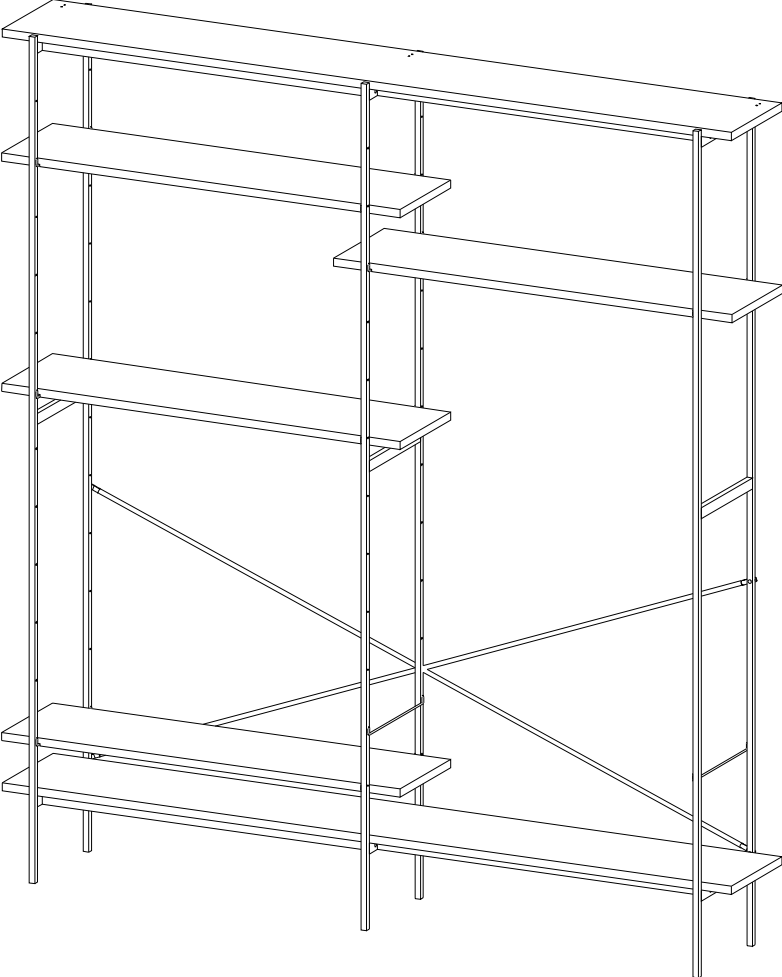
Step 8



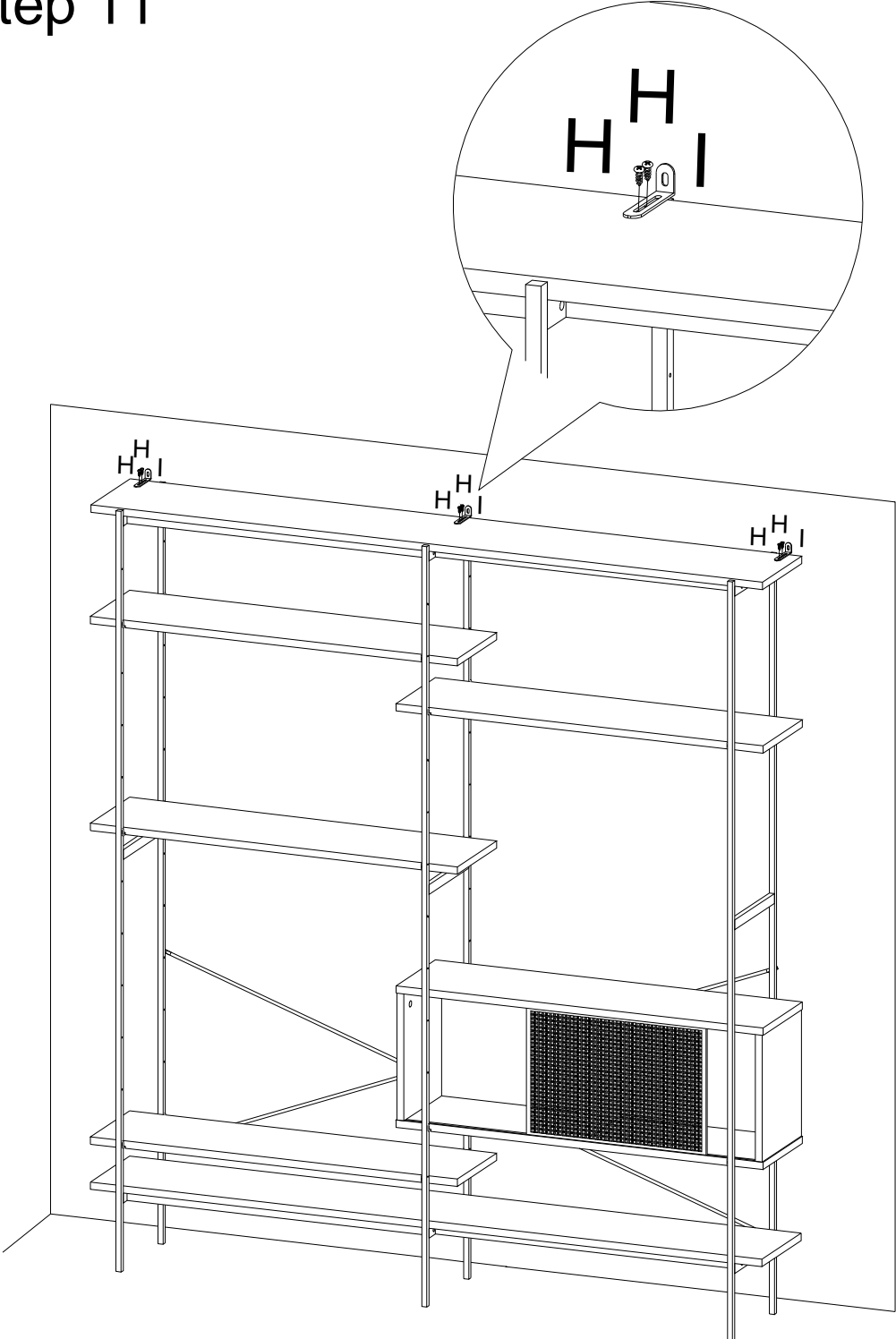
Step 9


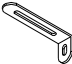


Step 10



Step 11



H	I
 M4×15mm 6PCS	 3PCS

Step 12

