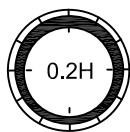
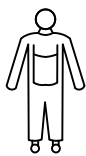
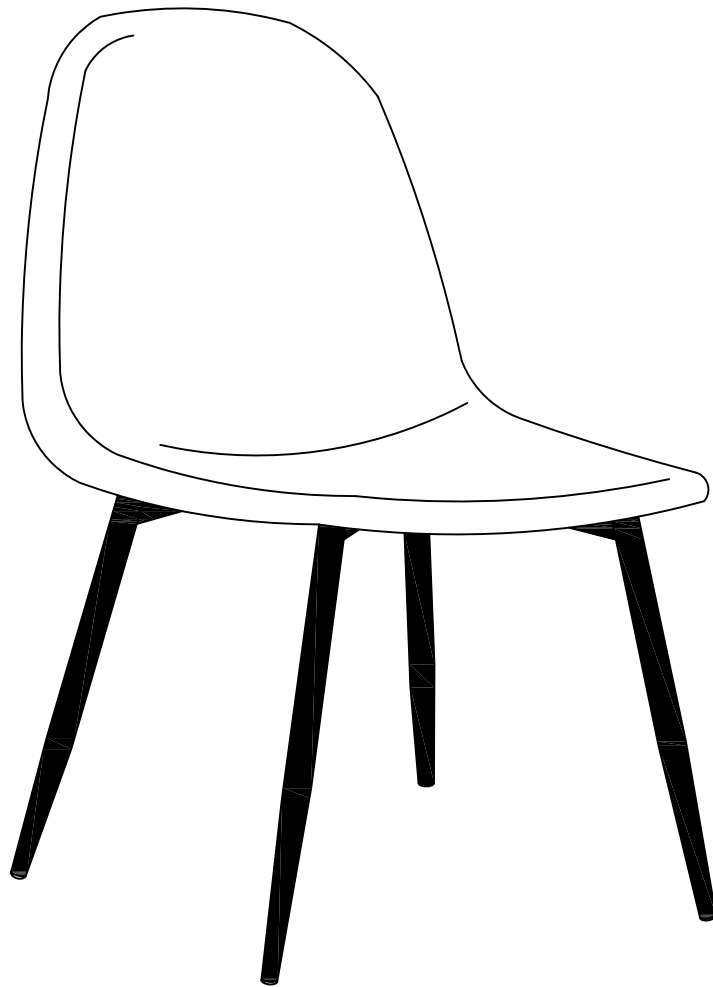


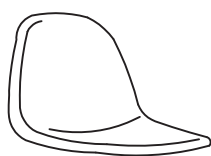
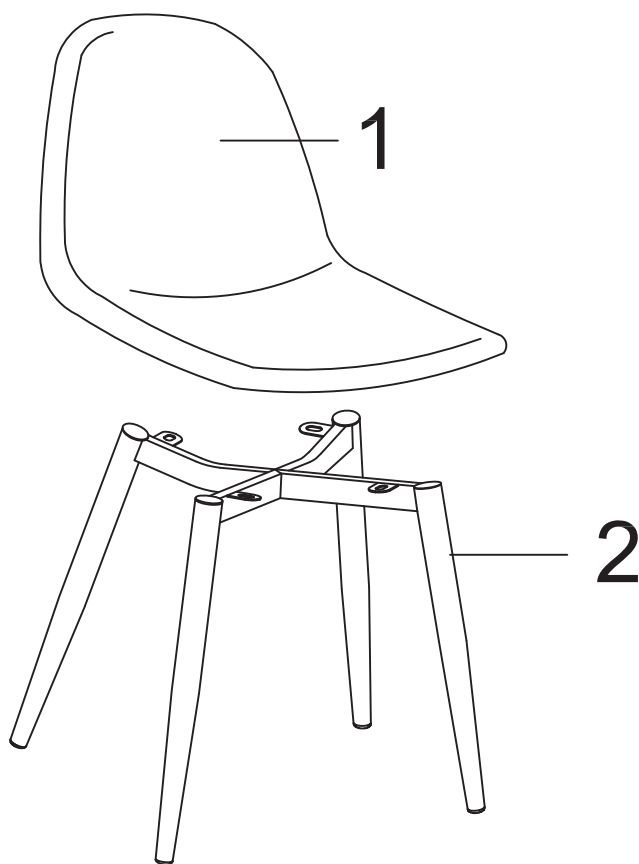
# Wilma

---



# Wilma

---



1(X1)



2(X1)

---

M6\*16

A(X4)



Ø6

B(X4)

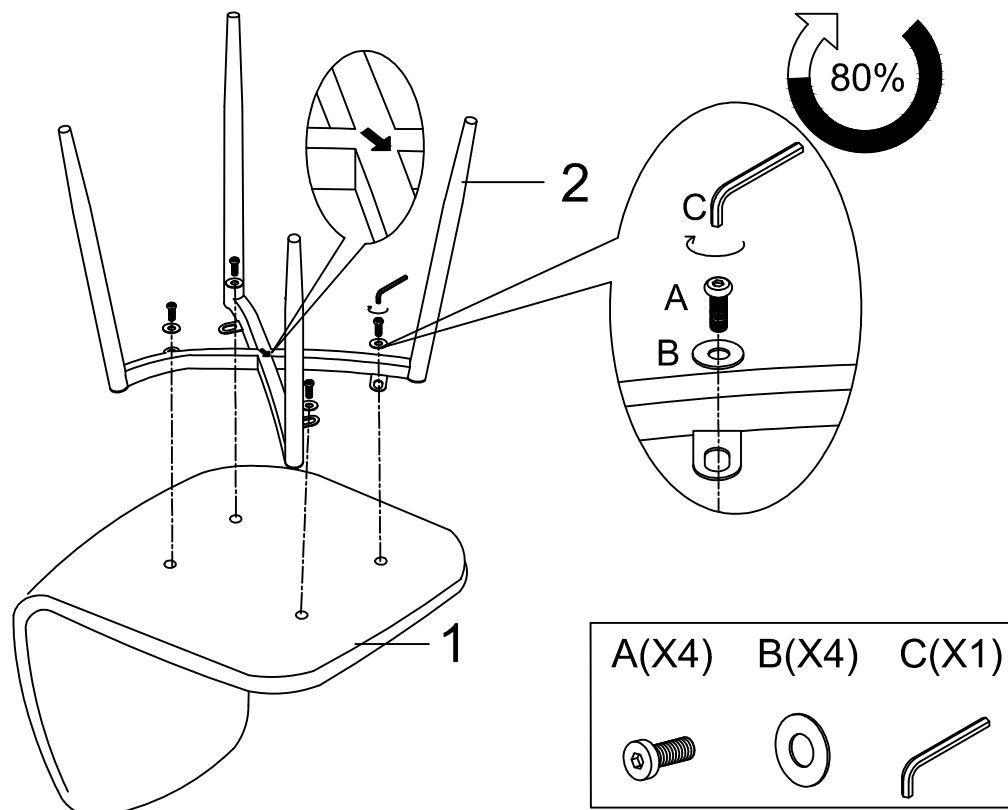


C(X1)



# Wilma

1



2

