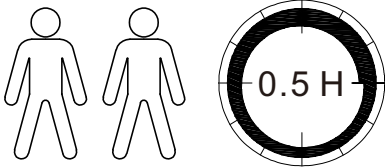
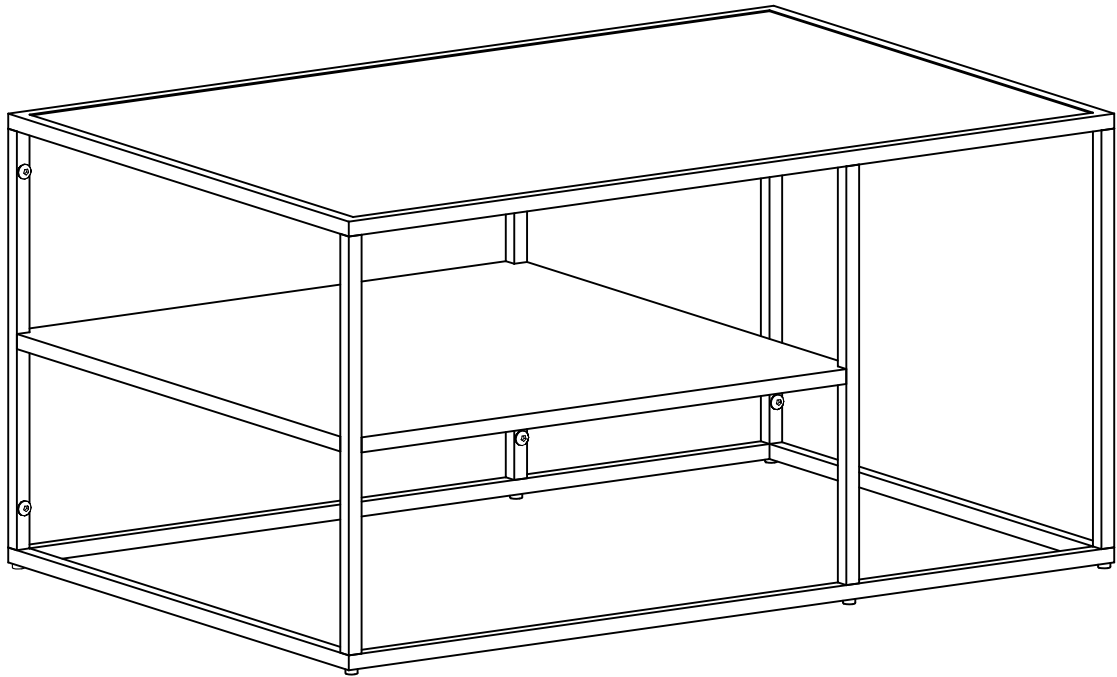
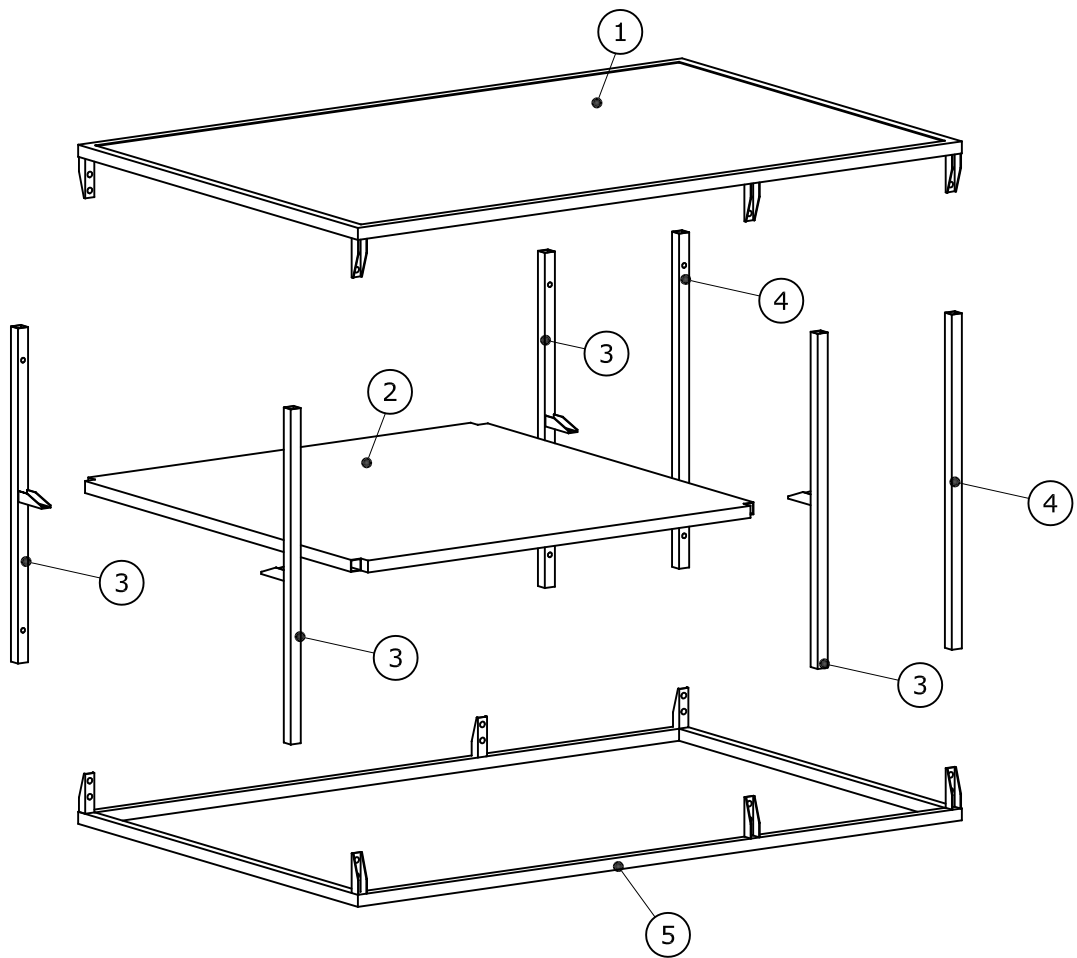


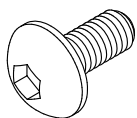
# NEWTON-COFFEE TABLE



			✓
①	1	900 x 600 x 60	
②	1	600 x 600 x 15	
③	4	415 x 60 x 15	
④	2	415 x 15 x 15	
⑤	1	900 x 600 x 60	

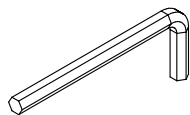


A x 16



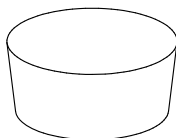
M6x12 mm

B x 1



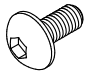

4 mm

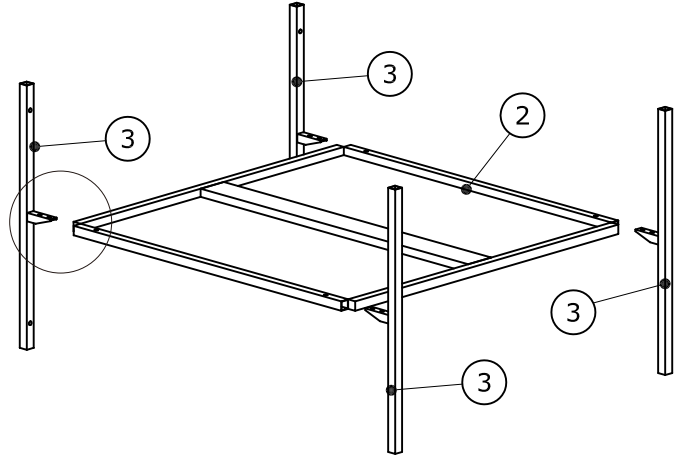
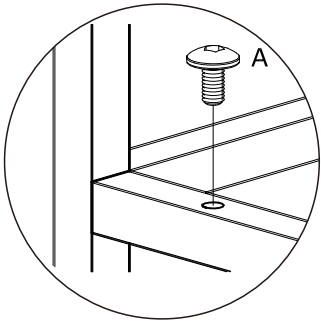
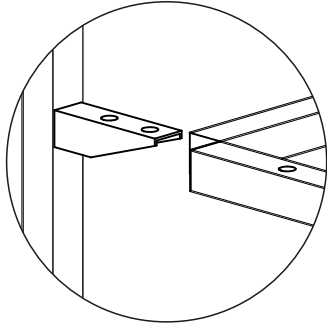
C x 6



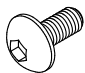

Ø12x5 mm

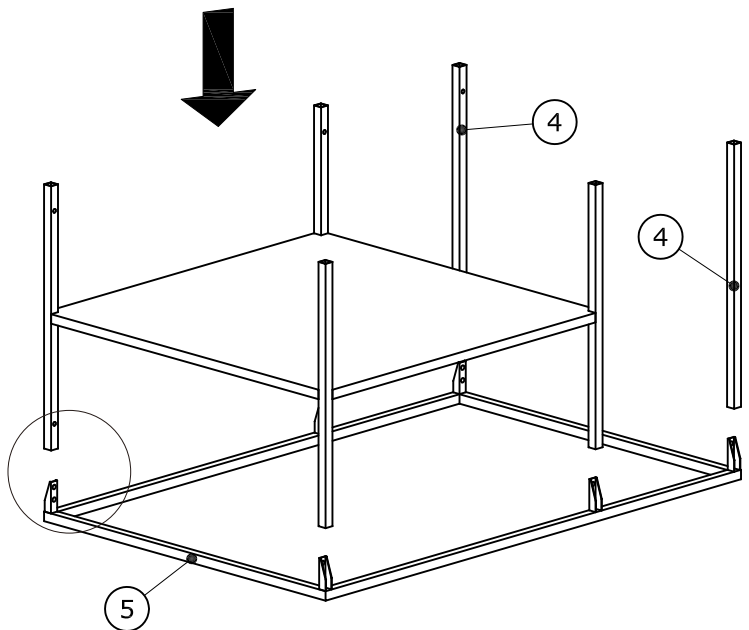
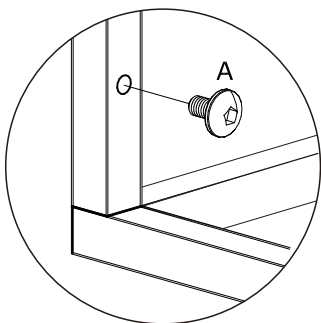
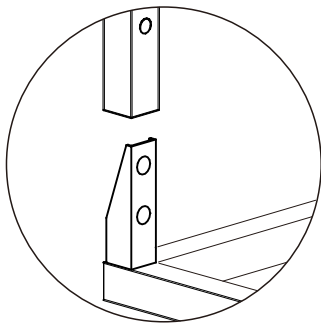
# 1

A x 4  M6x12 mm	B x 1  4 mm
--	--

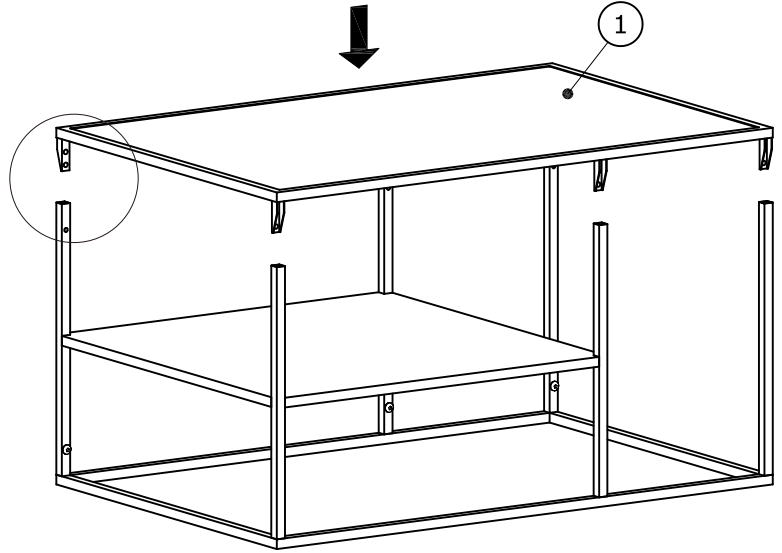
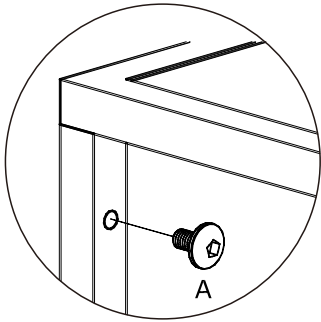
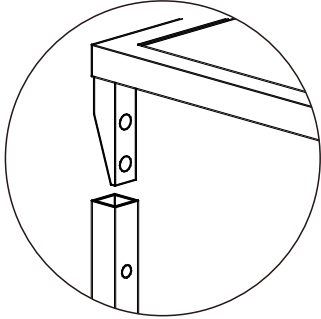
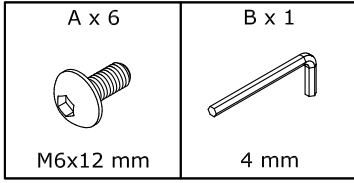


# 2

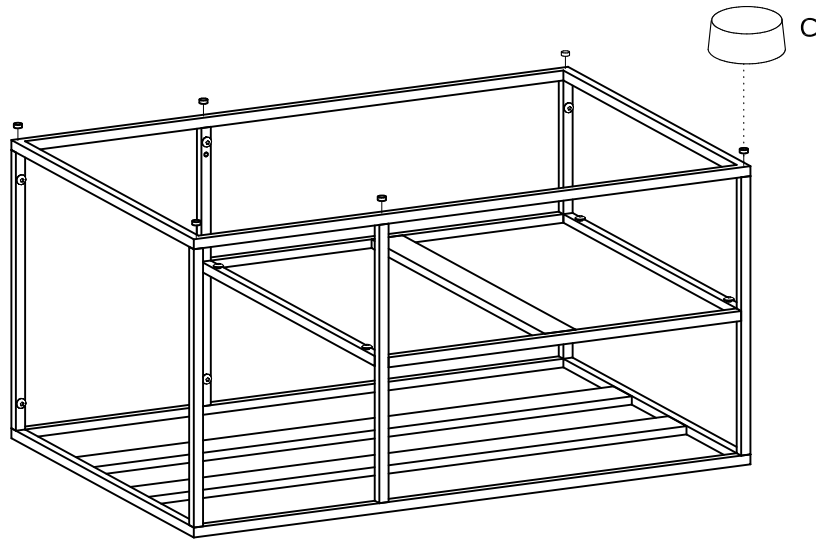
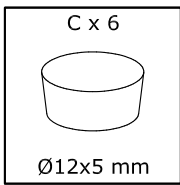
A x 6  M6x12 mm	B x 1  4 mm
--	--



# 3



# 4



5

