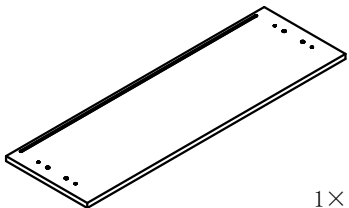
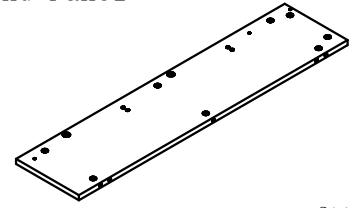
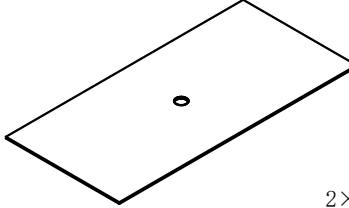
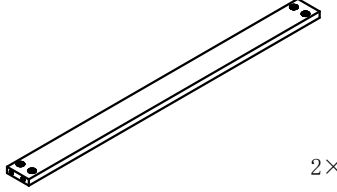
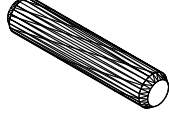

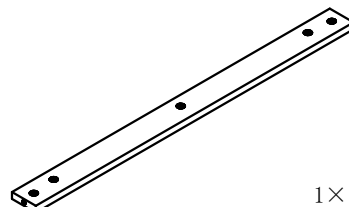
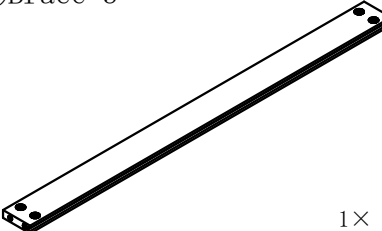
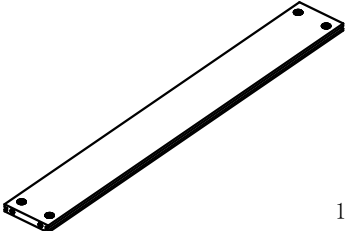
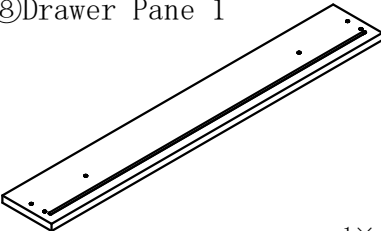
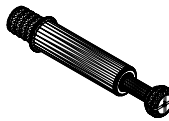

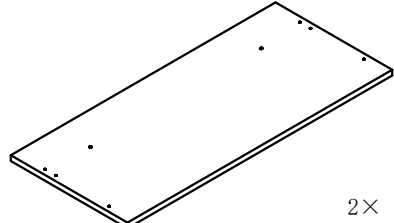
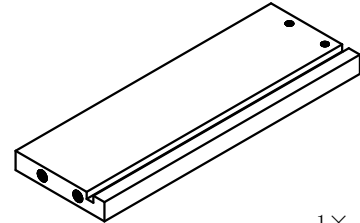
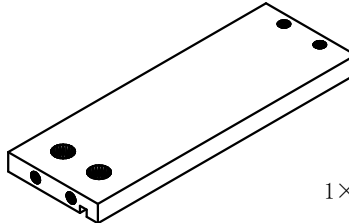
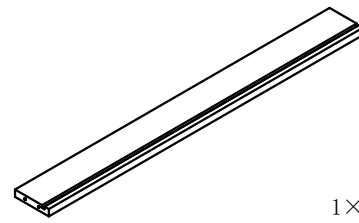

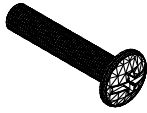
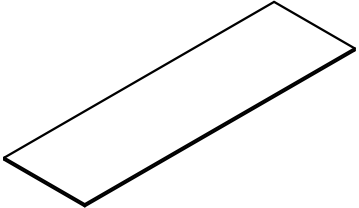
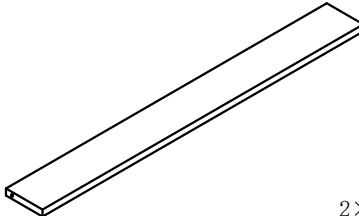
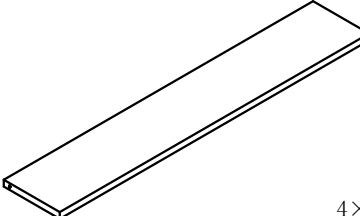
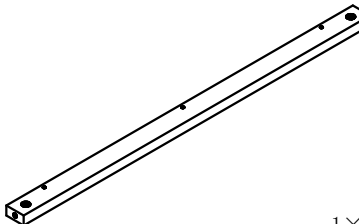
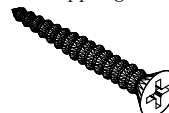
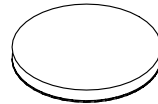
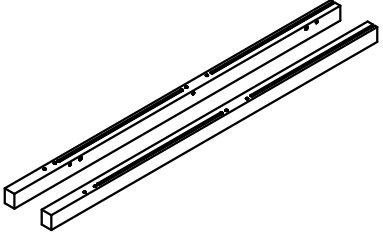
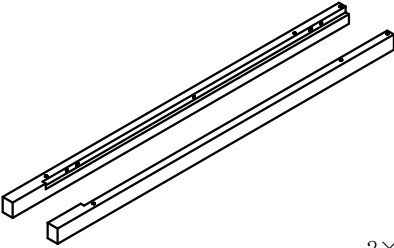
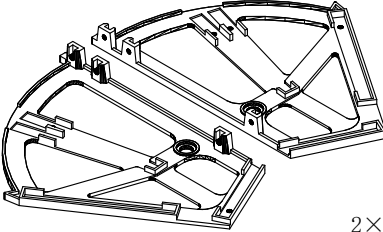
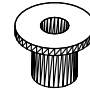
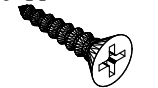
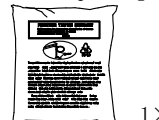
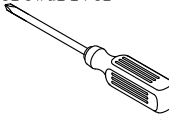
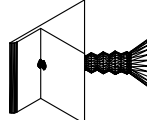
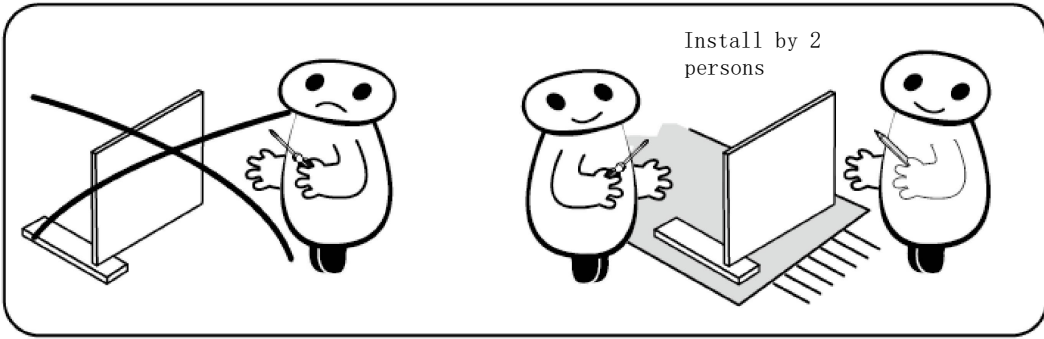
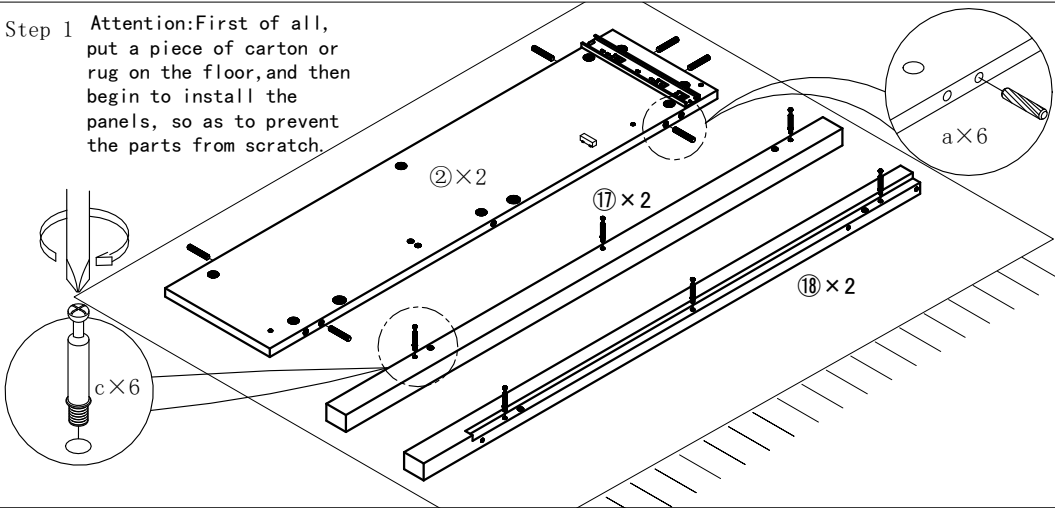


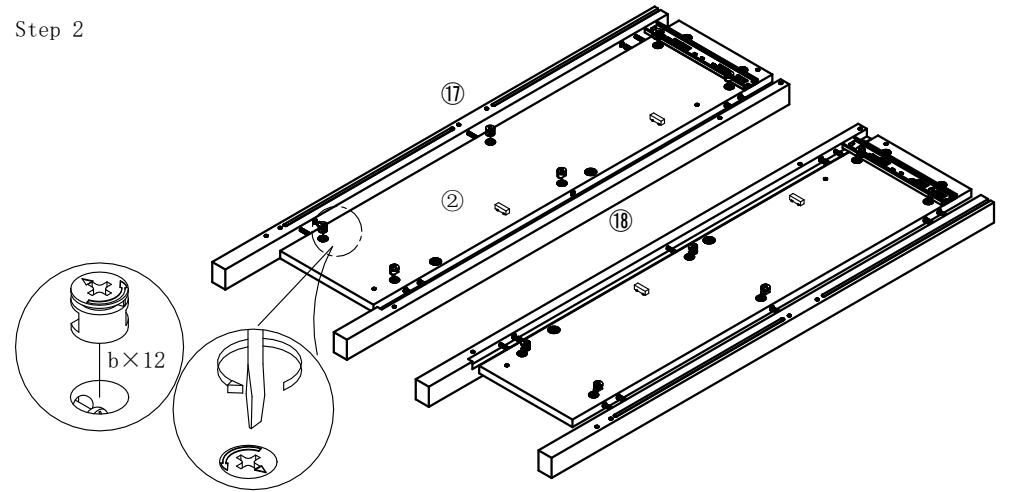
<p>① Top panel</p>  <p>1×</p>	<p>② End Panel</p>  <p>2×</p>	<p>③ Back panel</p>  <p>2×</p>	<p>④ Brace 1</p>  <p>2×</p>	<p>A. Dowel</p>  <p>12×</p>	<p>B. Cam lock</p>  <p>43×</p>
<p>⑤ Brace 2</p>  <p>1×</p>	<p>⑥ Brace 3</p>  <p>1×</p>	<p>⑦ Back Brace</p>  <p>1×</p>	<p>⑧ Drawer Pane 1</p>  <p>1×</p>	<p>C. Cam pin</p>  <p>43×</p>	<p>D. Cam cover</p>  <p>43×</p>
<p>⑨ Drawer Pane 12</p>  <p>2×</p>	<p>⑩ Drawer Left Side Panel</p>  <p>1×</p>	<p>⑪ Drawer Right Side Panel</p>  <p>1×</p>	<p>⑫ Drawer Back Panel</p>  <p>1×</p>	<p>E. Handle</p>  <p>6×</p>	<p>F. Handle nails</p>  <p>6×</p>
<p>⑬ Drawer bottom panel</p>  <p>1×</p>	<p>⑭ Drawer inner panel 1</p>  <p>2×</p>	<p>⑮ Drawer inner panel 2</p>  <p>4×</p>	<p>⑯ Skirting Board</p>  <p>1×</p>	<p>G. Long pitch self-tapping screw</p>  <p>4×</p>	<p>H. Felt Pad</p>  <p>4×</p>
<p>⑰ Back Legs</p>  <p>2×</p>	<p>⑱ Front Legs</p>  <p>2×</p>	<p>⑲ Two-layer shoe cabinet framework</p>  <p>2×</p> <p>Two-layer shoe cabinet framework accessories</p>  <p>4×</p>		<p>I. Wood screw 3.5*14</p>  <p>(24+1) ×</p>	<p>J. Anti-pour hardware package</p>  <p>1×</p>
				<p>K. Dual-purpose screwdriver</p>  <p>1×</p>	<p>L. Backboard bracket</p>  <p>8×</p>
				<p>Model :</p>	<p>PS503-0810</p>
				<p>Size :</p>	<p>890W*280D*1030H</p>
				<p>Name :</p>	<p>Shoe cabinet</p>



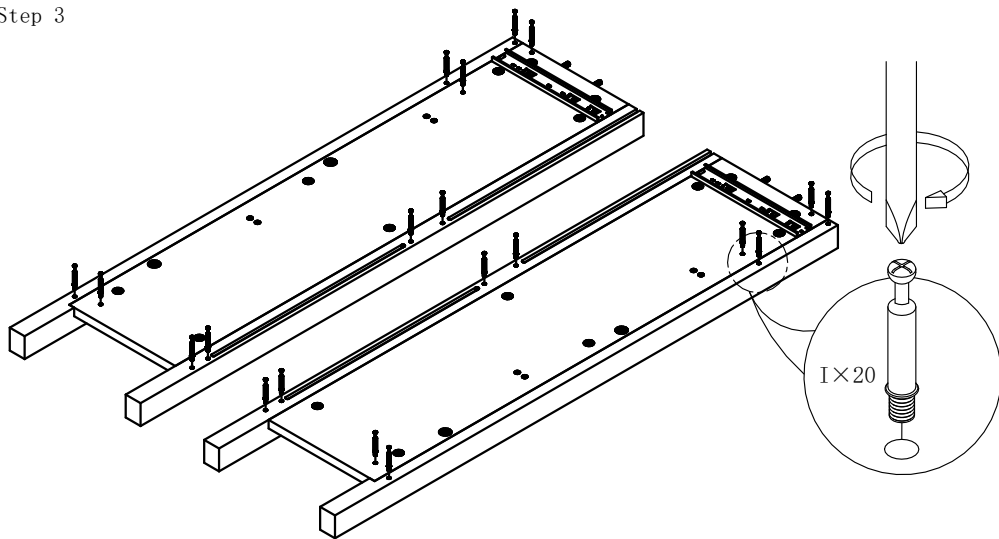
Step 1 Attention: First of all, put a piece of carton or rug on the floor, and then begin to install the panels, so as to prevent the parts from scratch.



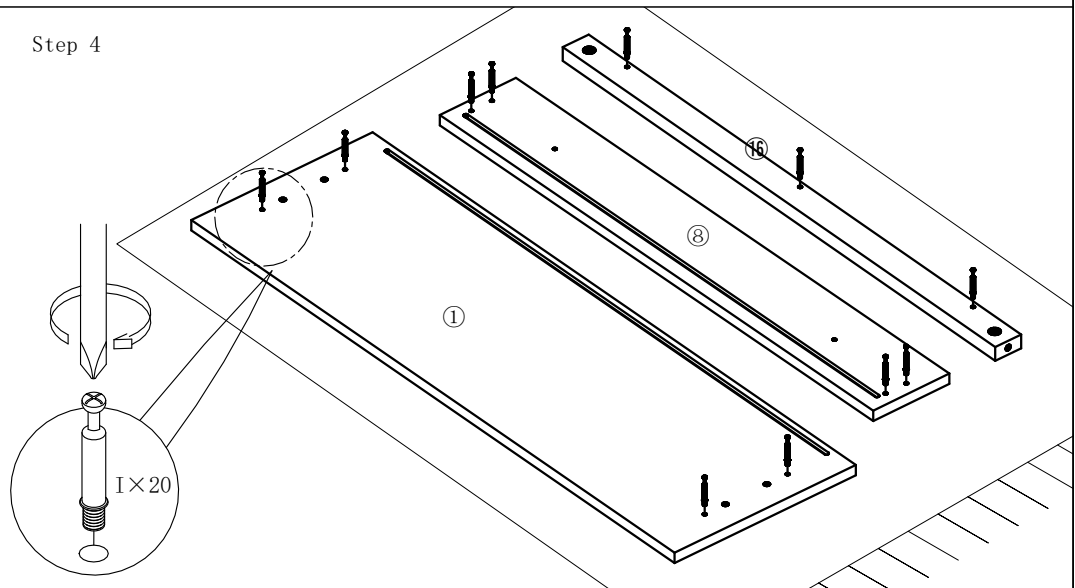
Step 2



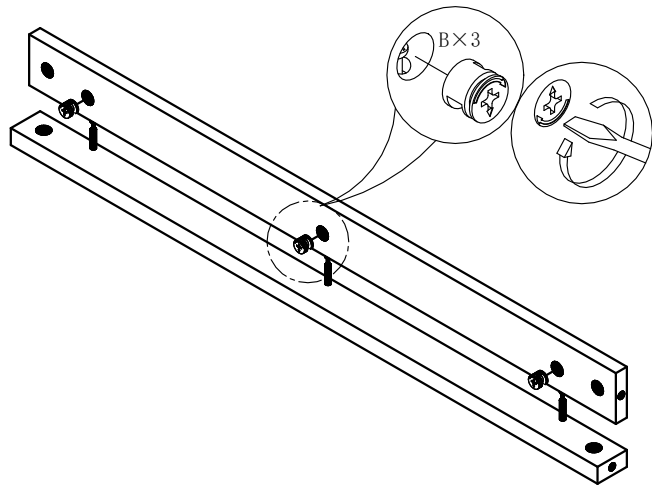
Step 3



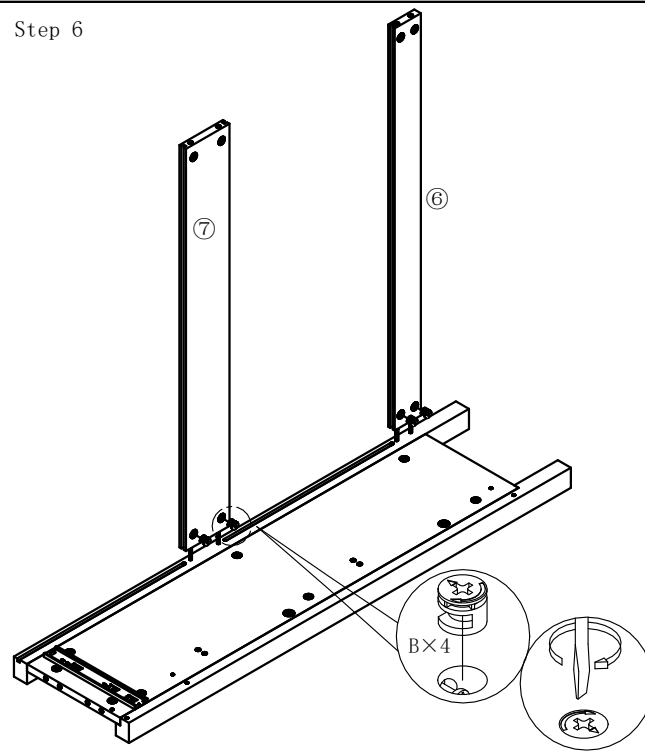
Step 4



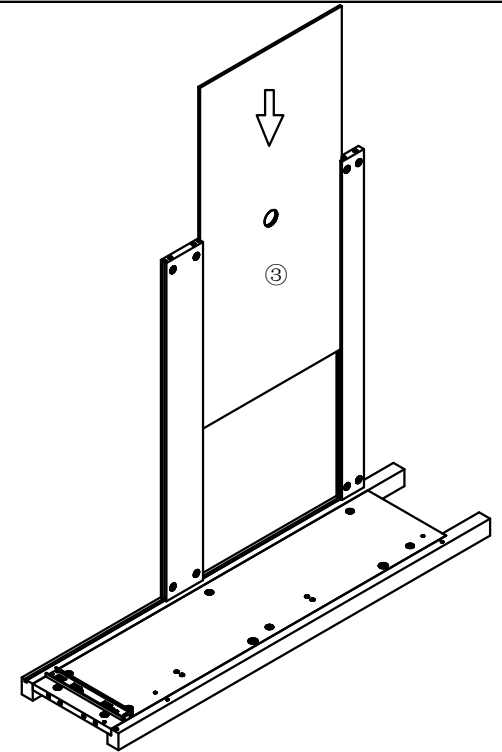
Step 5



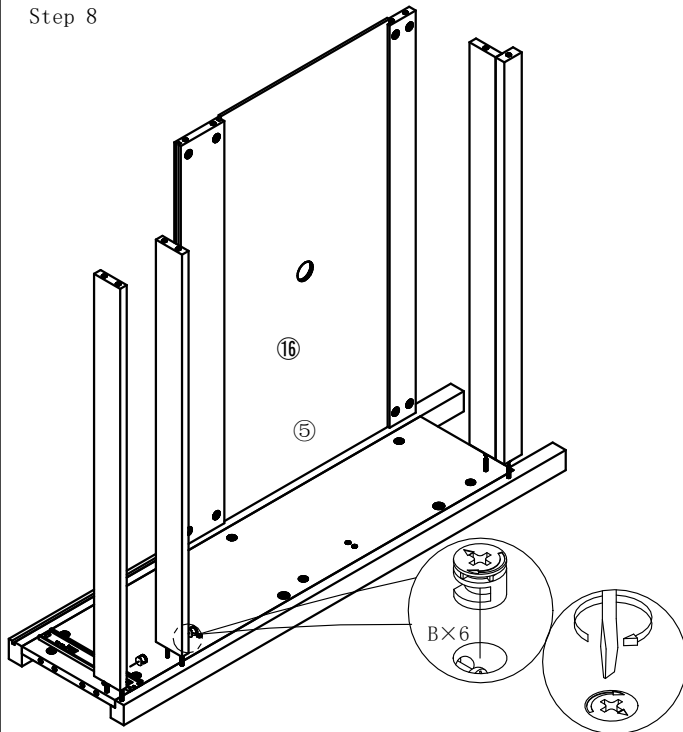
Step 6



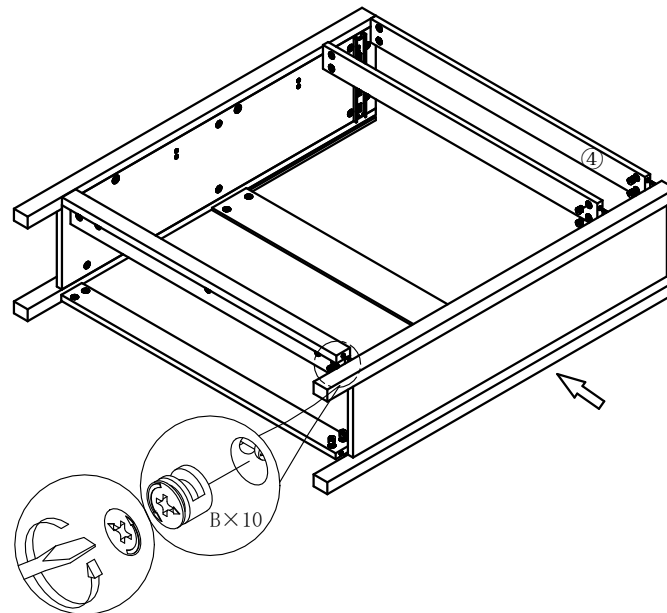
Step 7



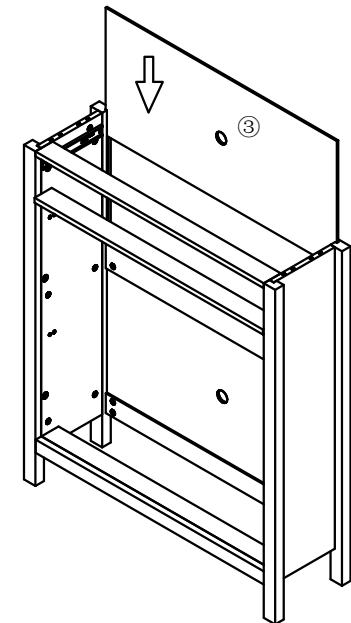
Step 8



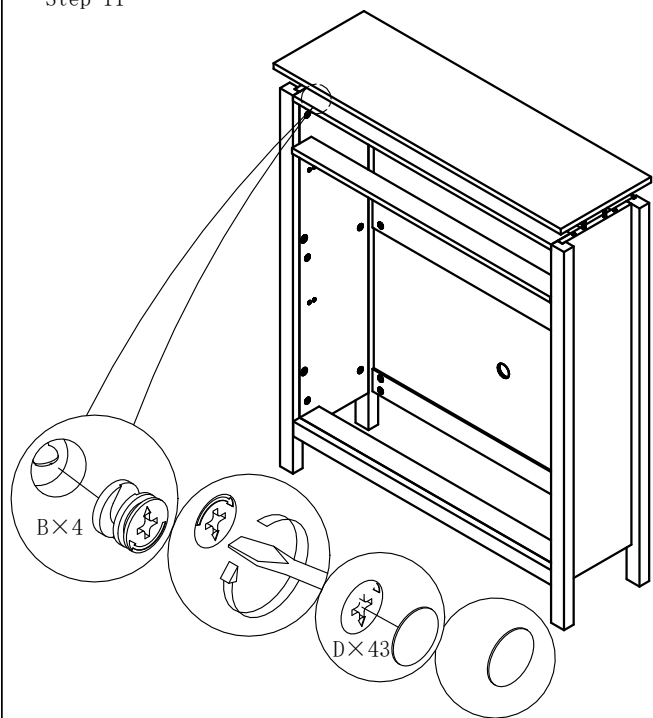
Step 9



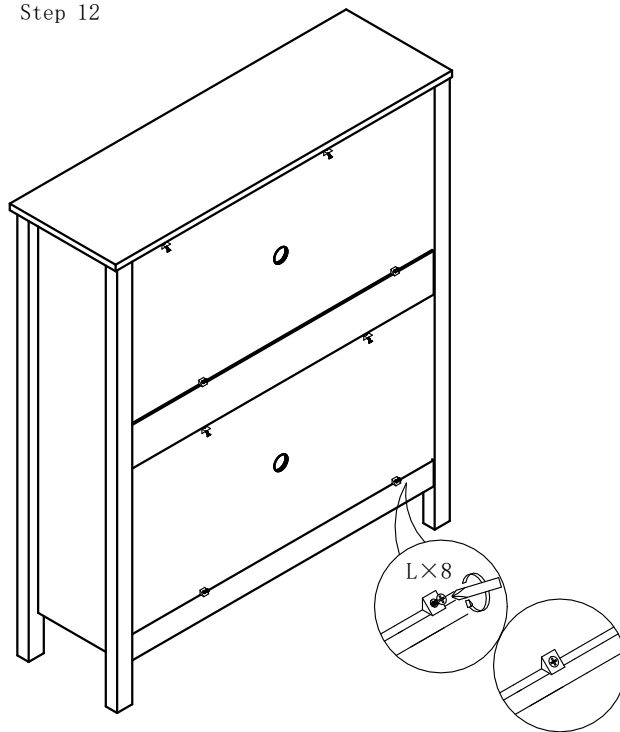
Step 10



Step 11

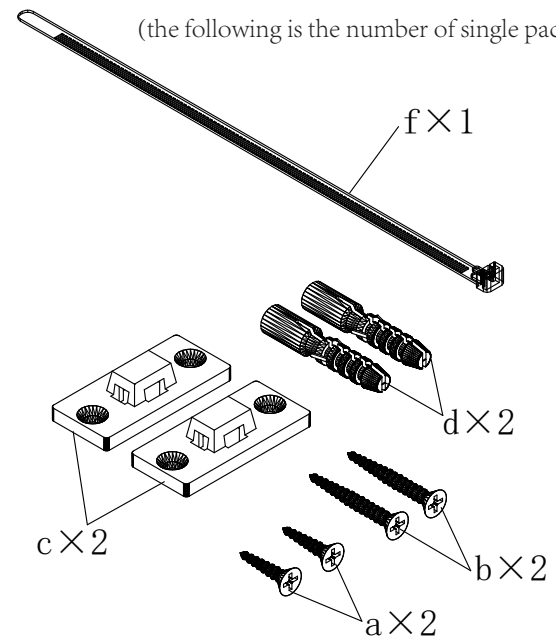


Step 12

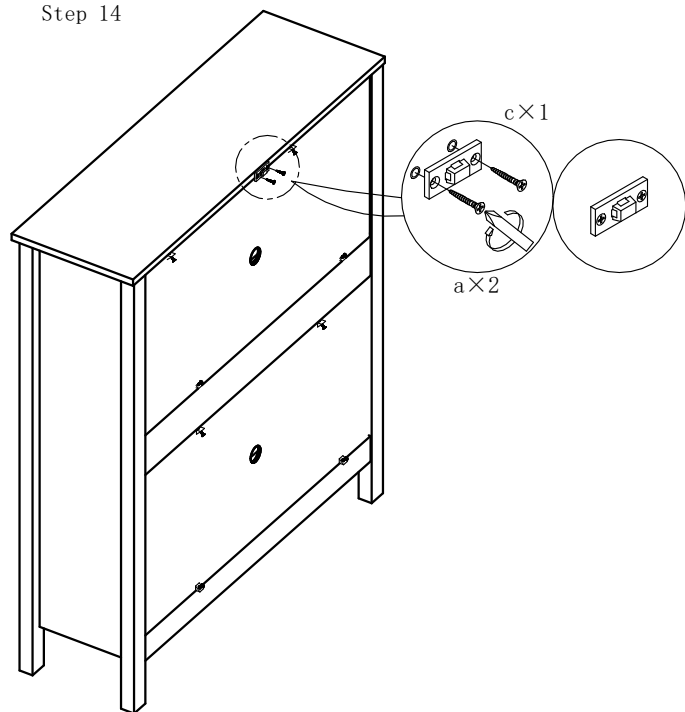


Step 13

Open M (anti-pour hardware package) 1 ×
 (the following is the number of single package)

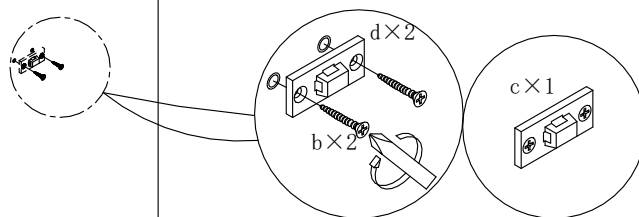


Step 14

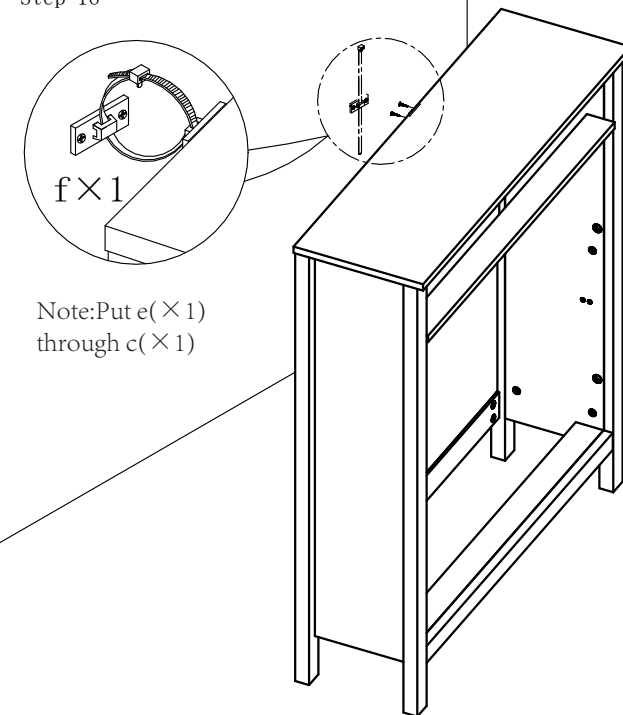


Step 15

Note: Drill holes in the wall according to the corresponding position of c installed in the top plate and tap into $d \times 4$, then screw into $b \times 4$

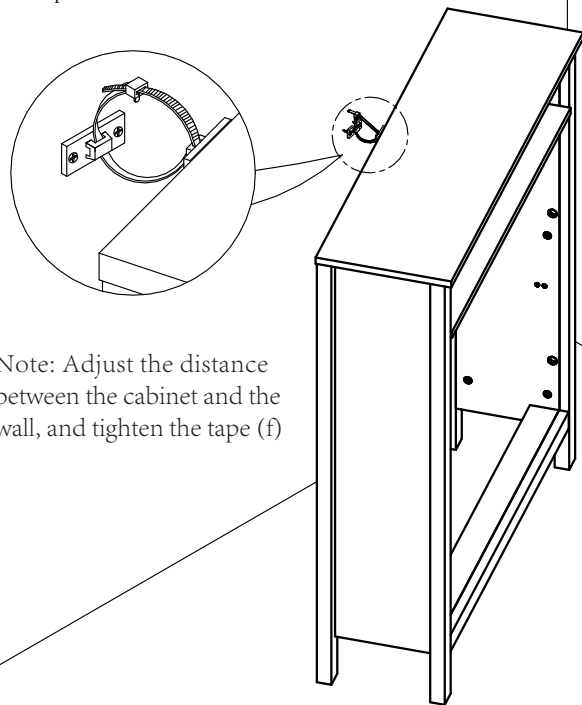


Step 16

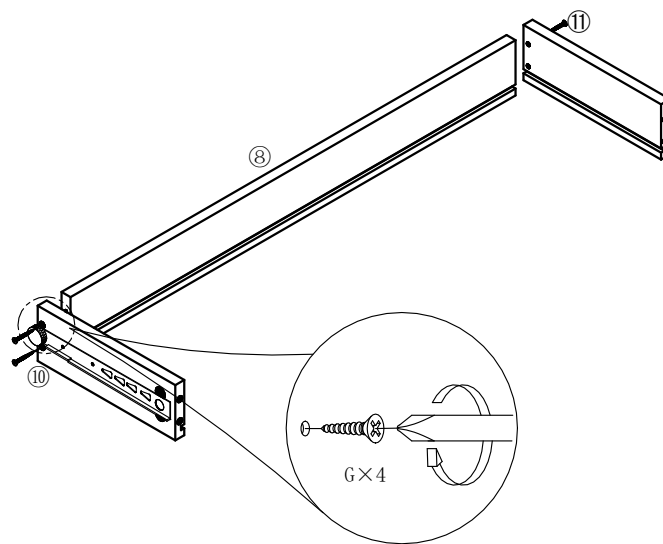


Note: Put e ($\times 1$)
 through c ($\times 1$)

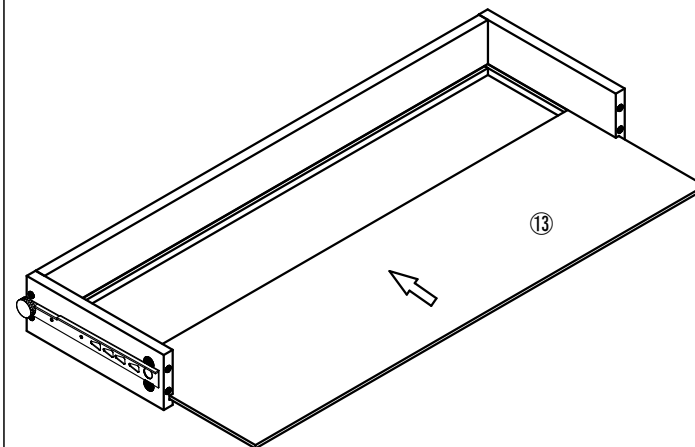
Step 17



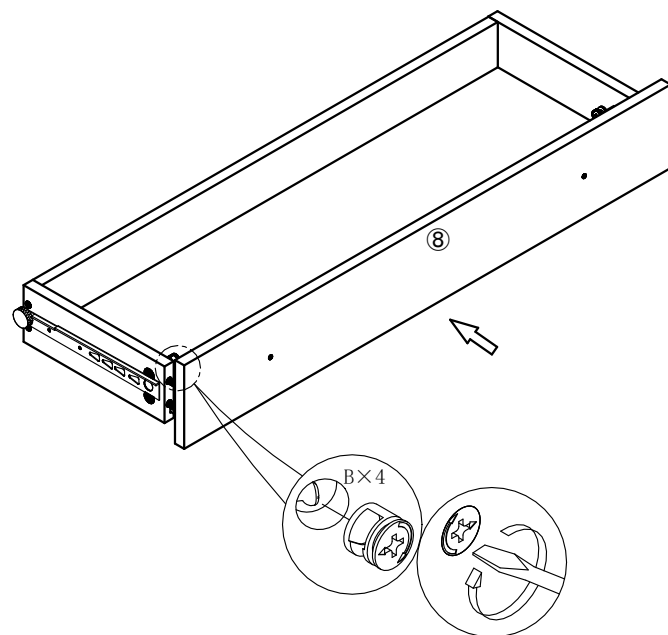
Step 18



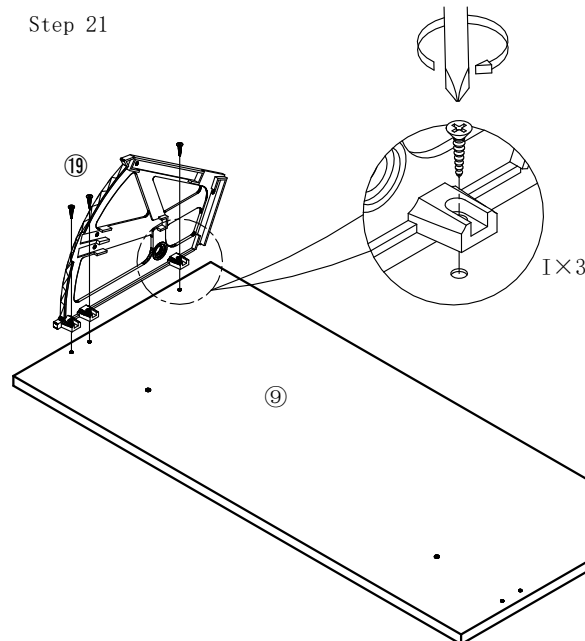
Step 19



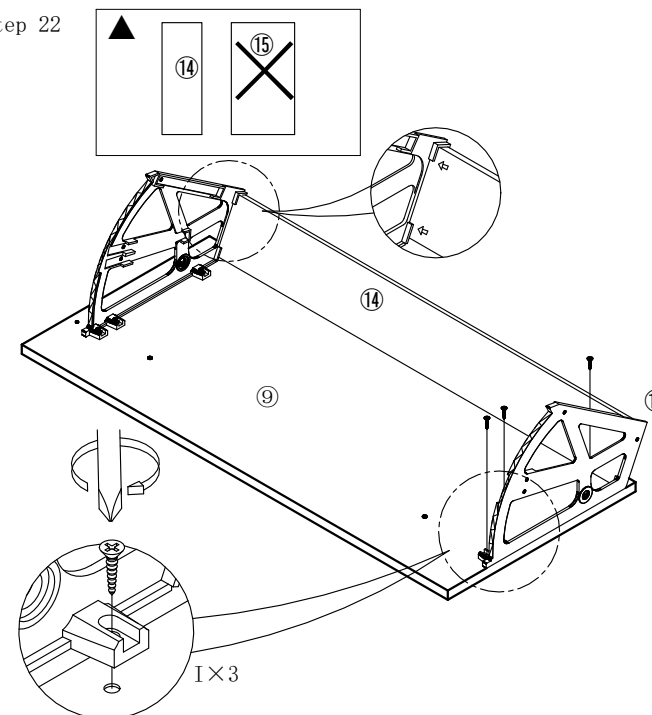
Step 20



Step 21

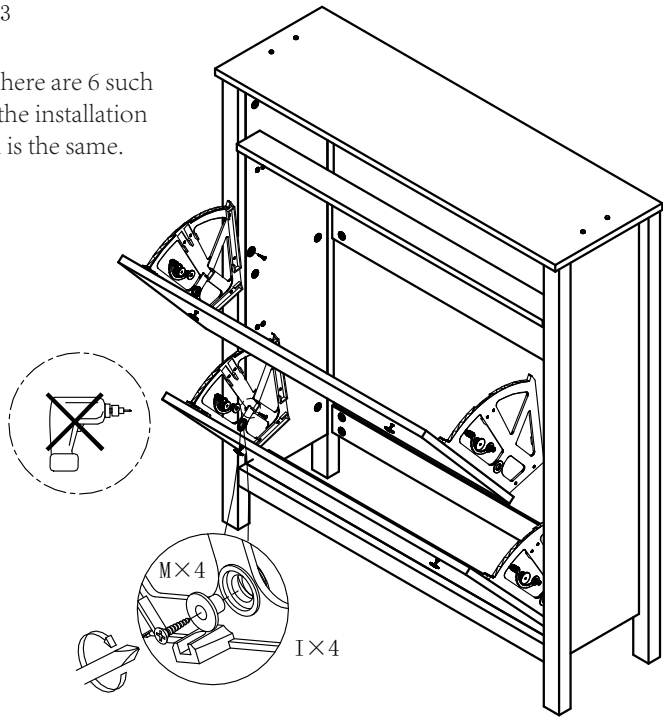


Step 22



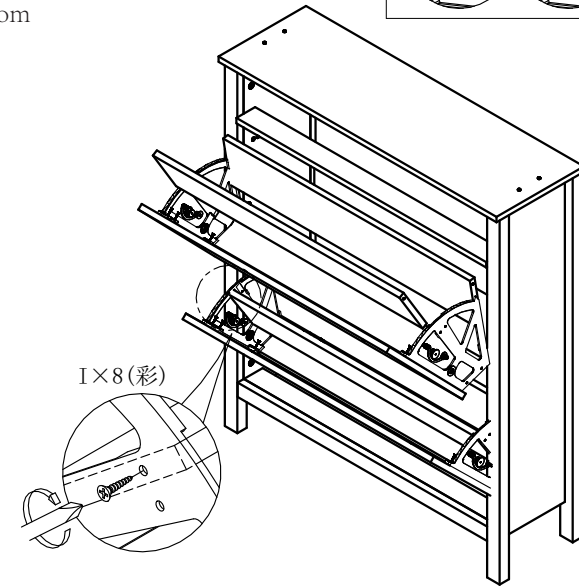
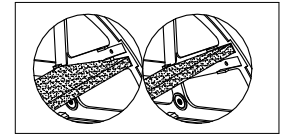
Step 23

Note: There are 6 such panels, the installation method is the same.

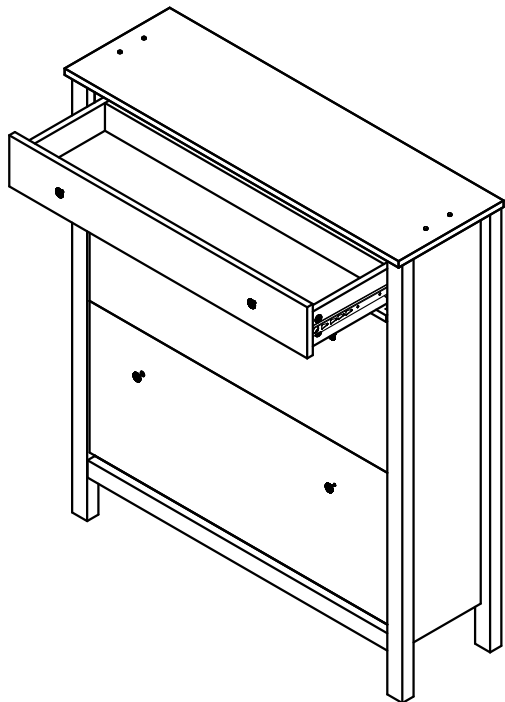


Step 24

Note: Two people are required to assist in the installation, in order from the bottom to the top



Step 25



Step 26

