

安装方法/ Installation method

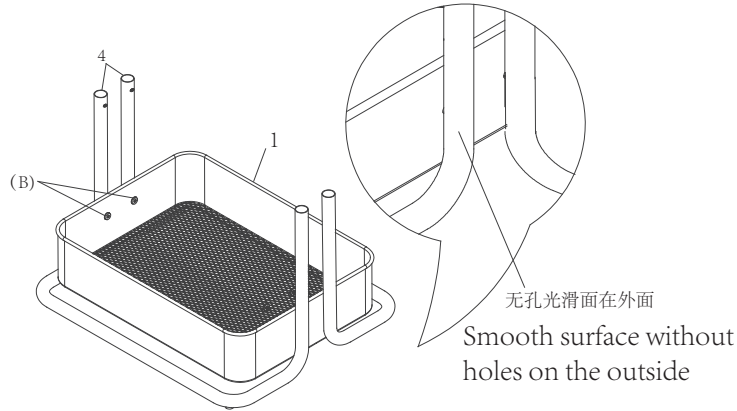
温馨提示：
请正确使用螺丝，否则将会造成产品严重损坏！

Reminder:
Please use the screws correctly, or else it will casue serious product damaged.

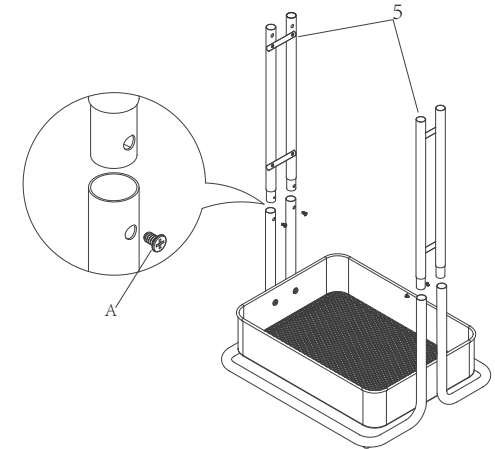
注意：
Be careful:



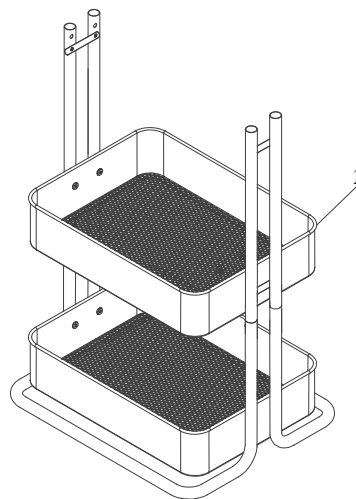
2根脚管 (4) 与大网篮 (1) 用内六角螺丝 (B) 固定
(注：网篮螺丝先不要拧紧) **1**
Fix the 2 foot tubes (4) and the large net basket (1) with Allen screws (B)
(Note: Do not tighten the basket screws yet)



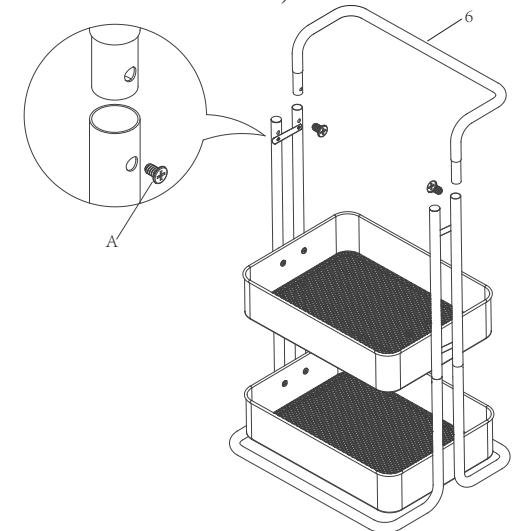
插上2根上管 (5)，用十字螺丝 (A) 固定
(注：十字螺丝用十字螺丝刀拧紧) **2**
(A)*4
Insert 2 upper pipes (5) and secure with cross screws (A)
(Note: Tighten the cross screw with a cross screwdriver)



按照步骤1的方法组装中网篮 (2)
(注：网篮螺丝先不要拧紧) **3**
(B)*4
Assemble the middle net basket (2) according to the method in step 1 (Note: Do not tighten the basket screws yet)



先把扶手管 (6) 插入两上管 (5) 对应孔管中，用十字螺丝 (A) 固定 (注：十字螺丝用十字螺丝刀拧紧) **4**
(A)*2
Firstly, insert the armrest tube (6) into the corresponding hole tubes of the two upper tubes (5), Fix with a cross head screw (A) (note: tighten the cross head screw with a cross head screwdriver)



安装方法/ Installation method

温馨提示：
请正确使用螺丝，否则将会造成产品严重损坏！

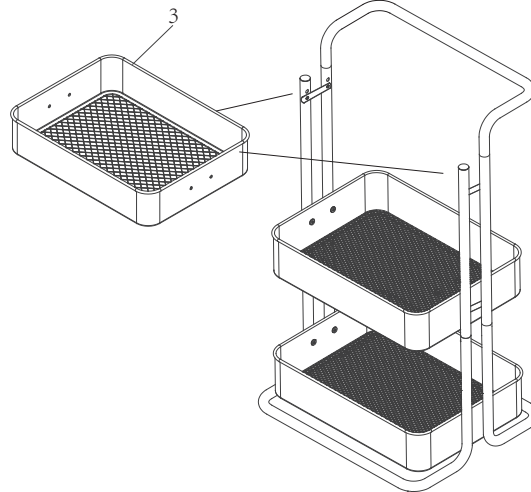
Reminder:
Please use the screws correctly,
or else it will casue serious
product damaged.

注意：
Be careful:



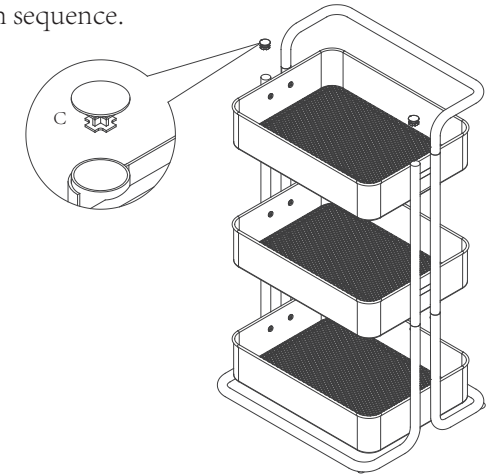
(B)*4

按照步骤1的方法组装小网篮 (3)
(注：网篮螺丝先不要拧紧) 5
Follow the method in step 1 to assemble the small net
basket (3)(Note: Do not tighten the basket screws yet)



(C)*2

上管 (5) 上端塞入2个塑胶盖 (C) ,
网篮螺丝从下往上依次拧紧 6
Insert two plastic caps (C) into the upper end of the upper
tube (5),Tighten the basket screws from bottom to
top in sequence.



(F)*4

最后在脚管 (4) 底部旋入4个工业轮 (F) ,
最后用开口扳手 (D) 固定，组装完成 7
Finally, screw in four industrial wheels (F) at the bottom
of the foot tube (4),Finally, fix with an open-ended
wrench (D) and complete the assembly.

