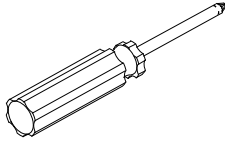
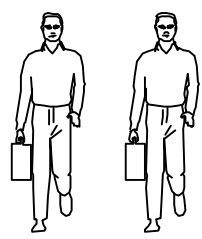


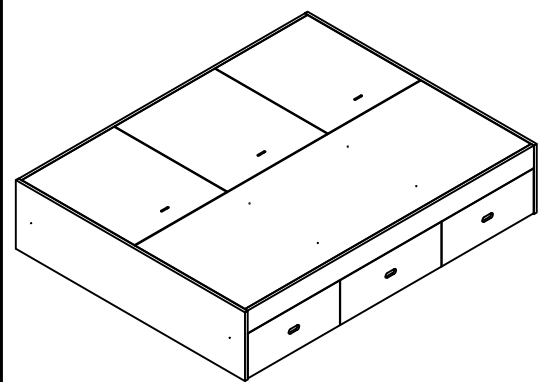
LINSY 林氏家居



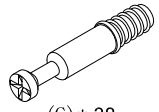
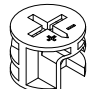

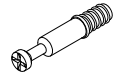
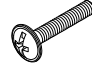

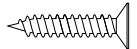
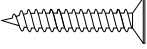
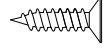
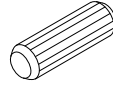
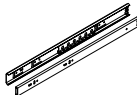
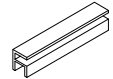
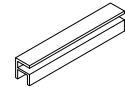
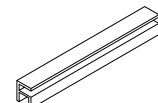
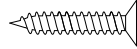

五金表/Hardware list

部件表/Parts List

安装示意图/Assembly Instruction

| | |
|---|---|
| 产品名称 Model NO. | JJ1A-A (1.5m) |
| 产品规格 Specification | 1910*1500*392 mm |
| 安装工具 Tool | 安装人数 Installer |
|  |  |

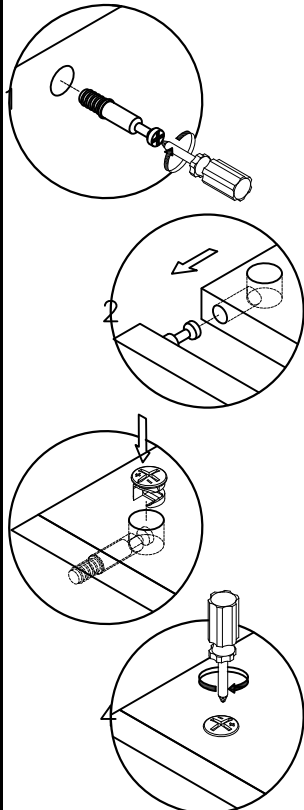


| | | | |
|---|--|---|---|
|  (A)* 3 椭圆形拉手 Oval handle |  (B)* 3 汽动布拉手 Cloth handle |  (C)* 38 二合一螺杆(35mm) 2-in-1-screw |  (D)* 38 大三合一锁饼(15mm) Three-in-one large lock |
|  (E)* 13 小三合一锁饼(13mm) small three-in-one lock |  (F)* 13 小二合一杆7*28 small two-in-one rod |  (G)* 6 拉手螺丝-M4x12mm pulling screw |  (H)* 13 塑料螺母 Plastic Nut |
|  (I)* 34 自攻螺丝M4x25mm Self-tapping screw |  (J)* 13 自攻螺丝M4x40mm Self-tapping screw |  (K)* 38 自攻螺丝M3.5x12mm Self-tapping screw |  (L)* 8 木榫Ø8x30mm wood tenon |
|  (M)* 3 三节滚珠导轨-14" three-section ball rail |  (N)* 4 底板塑胶条1 L-564 Bed bottom plate plastic strip |  (O)* 2 底板塑胶条2 L-584 Bed bottom plate plastic strip |  (P)* 6 底板塑胶条3 L-725 Bed bottom plate plastic strip |
|  (Q)* 4 自攻螺丝M4x30mm Self-tapping screw |  (R)* 28 脚垫-灰色 Footrest - Grey | | |

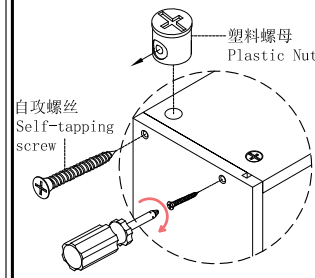
| 编号NO. | 名称Name | 规格 (mm) Specification | 数量QTY | 材质Material |
|-------|--------------------------------------|--------------------------|-------|-------------|
| ① | 左侧板 Side board(L) | 1500*389*18 | 1 | 三胺板Melamine |
| ② | 右侧板 Side board(R) | 1500*389*18 | 1 | 三胺板Melamine |
| ③ | 背板 Back board | 1874*389*18 | 1 | 三胺板Melamine |
| ④ | 中隔板 Middle clapboard | 1874*371*18 | 1 | 三胺板Melamine |
| ⑤ | 上中侧板 Upper middle side board | 731*371*18 | 2 | 三胺板Melamine |
| ⑥ | 下中侧板 Middle-down side panel | 713*353*18 | 2 | 三胺板Melamine |
| ⑧ | 底拉条 Bottom brace | 1874*88*18 | 1 | 三胺板Melamine |
| ⑨ | 床板托条 Bed board support strip | 500*58*18 | 8 | 三胺板Melamine |
| ⑩ | 床侧 Bedside | 1874*128*18 | 1 | 三胺板Melamine |
| ⑪ | 边抽屉面板 Side drawer panel | 602*254*18 | 2 | 三胺板Melamine |
| ⑫ | 抽屉左侧板 Drawer's side board(L) | 395*142*12 | 3 | 三胺板Melamine |
| ⑬ | 抽屉右侧板 Drawer's side board(R) | 395*142*12 | 3 | 三胺板Melamine |
| ⑭ | 边抽屉后板 Side drawer rear panel | 556*142*12 | 2 | 三胺板Melamine |
| ⑮ | 大抽屉底板 Base plate of large drawer | 566*391*5 | 2 | 三胺板Melamine |
| ⑯ | 中抽屉面板 Drawer's middle board | 662*254*18 | 1 | 三胺板Melamine |
| ⑰ | 中抽屉后板 Rear plate of middle drawer | 576*142*12 | 1 | 三胺板Melamine |
| ⑱ | 中抽屉底板 Middle drawer bottom plate | 586*391*5 | 1 | 三胺板Melamine |
| ⑲ | 大床板 Big bed board | 1870*720*18 | 1 | 三胺板Melamine |
| ⑳ | 小床板 Small bed board | 604*738*18 | 2 | 三胺板Melamine |
| ㉑ | 中床板 Middle bedplate | 655*738*18 | 1 | 三胺板Melamine |
| ㉒ | 底板1 Bottom panel 1 | 721*596*5 | 2 | 三胺板Melamine |
| ㉓ | 底板2 Bottom panel 2 | 721*616*5 | 1 | 三胺板Melamine |
| ㉔ | 床板托条1 Bed board support strip | 720*58*18 | 4 | 三胺板Melamine |
| | | | | |
| | | | | |

JJ1A-A (1.5m)

安装方法/
Installation method

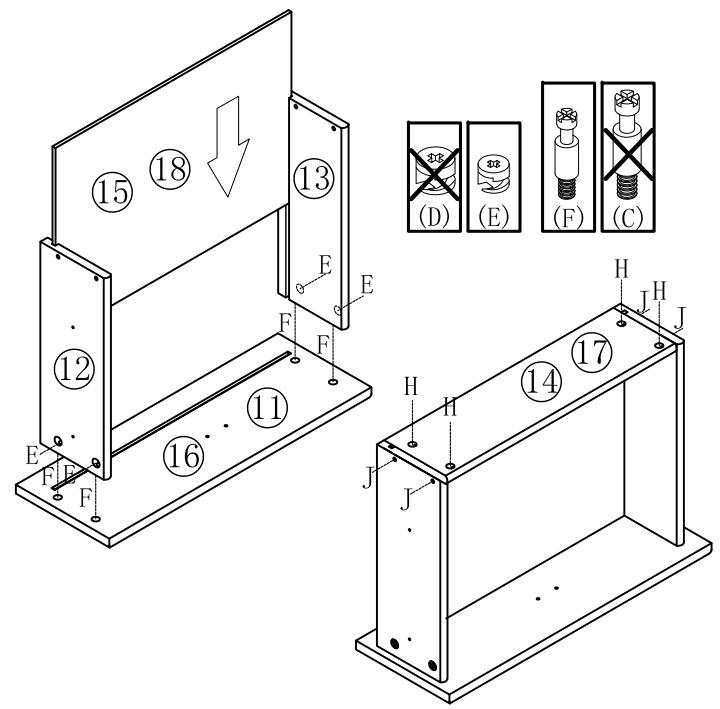


小二合一
small two-in-one

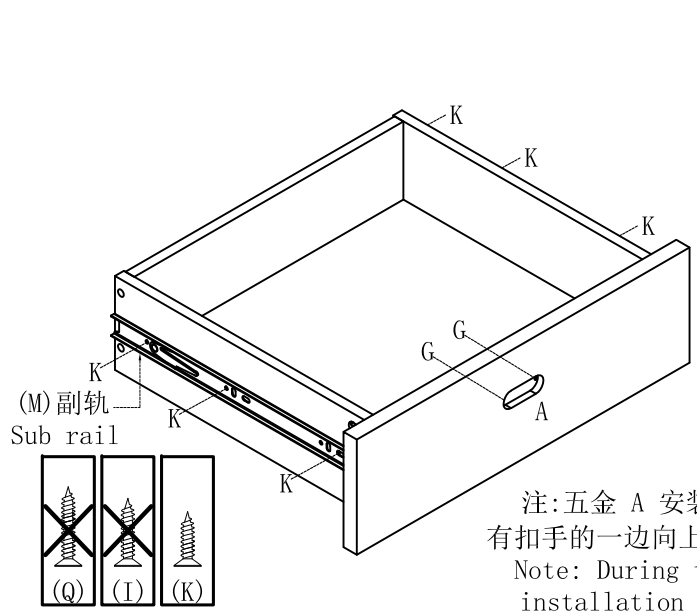


塑料螺母
Plastic Nut

- (E)*12
- (F)*12
- (H)*12
- (J)*12

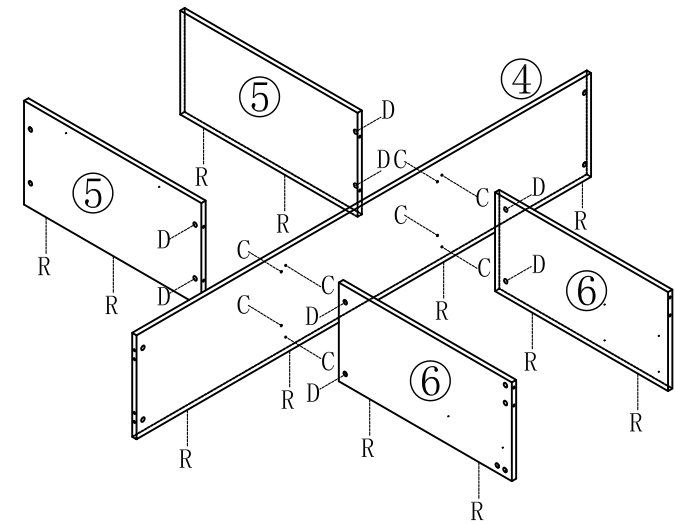


- 1
- (A)*3
 - (G)*6
 - (K)*18
 - (M)*3

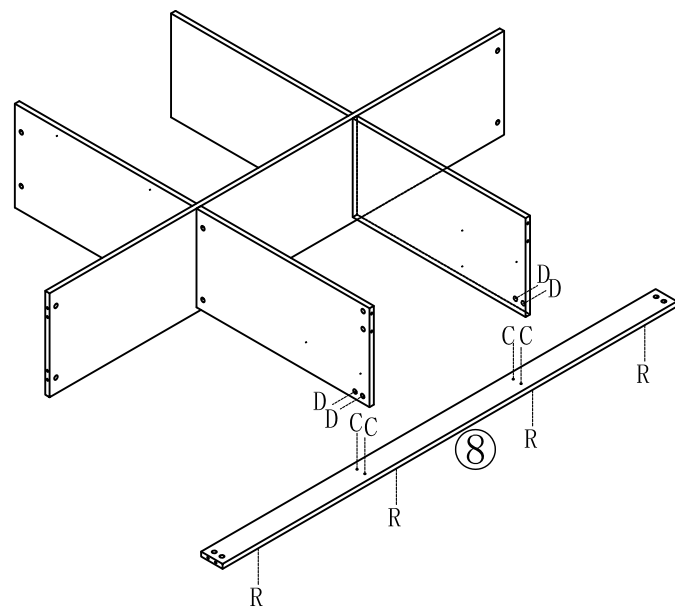


注:五金 A 安装时
有扣手的一边向上安装
Note: During the
installation of
hardware A,
the side
with clasp shall be
installed upward

- (C)*8
- (D)*8
- (R)*12



- 3
- (C)*4
 - (D)*4
 - (R)*4

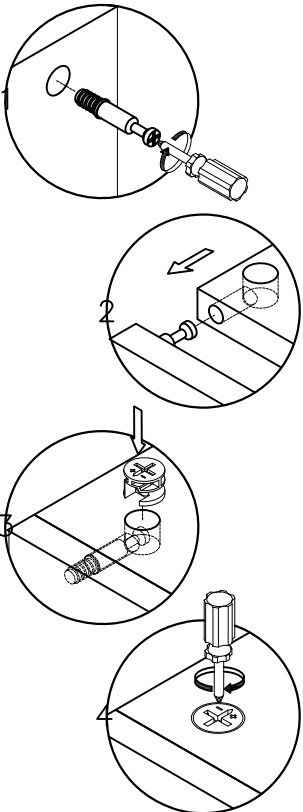


2

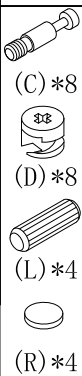
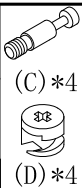
4

JJ1A-A (1.5m)

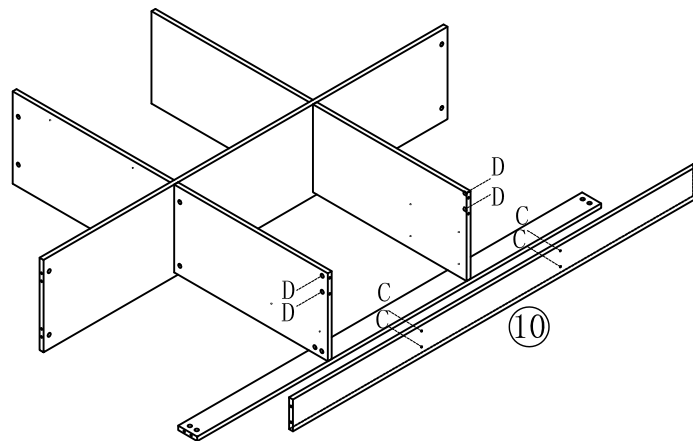
安装方法/
Installation method



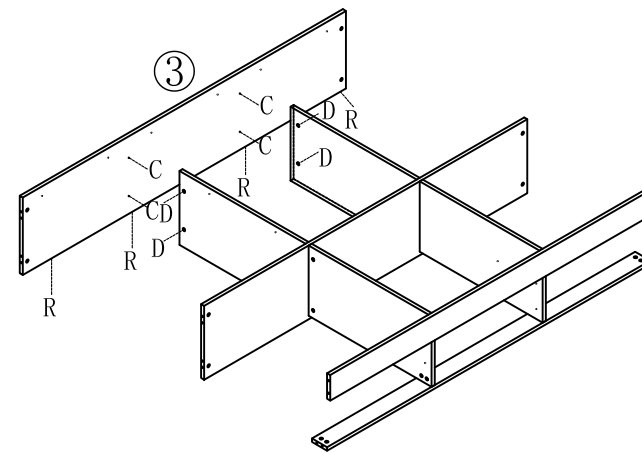
大二合一
two-in-one



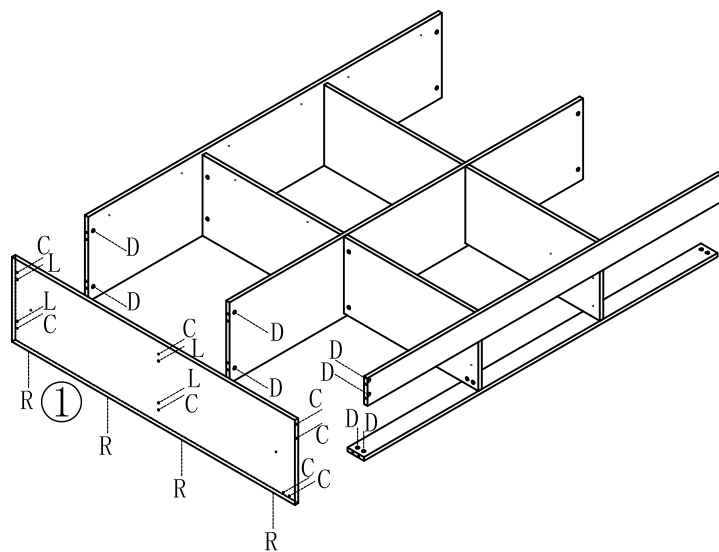
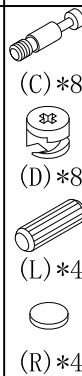
5



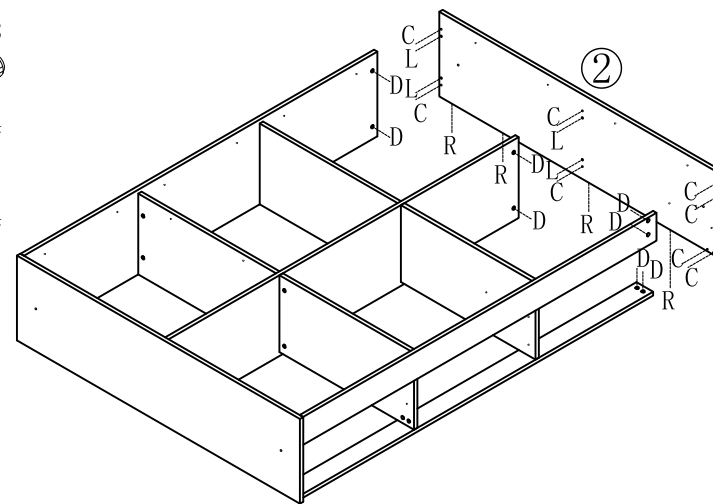
6



7



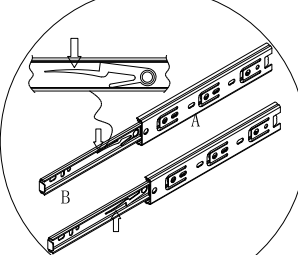
8



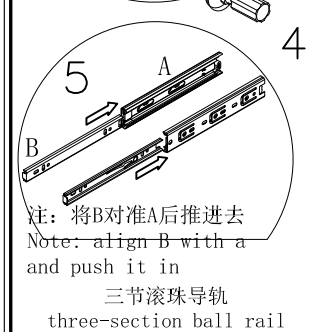
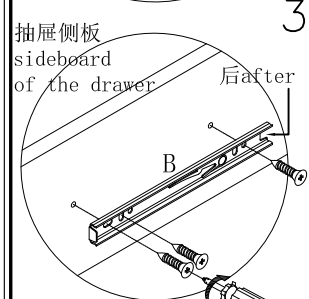
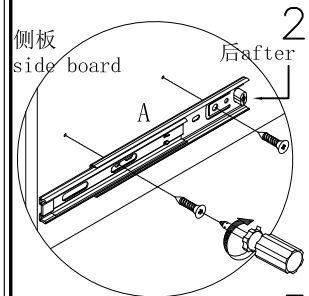
JJ1A-A (1.5m)

安装方法/
Installation method

1 阀门开关(下压为开)
Valve switch
(press down to open)

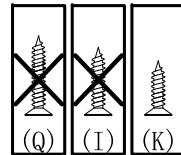
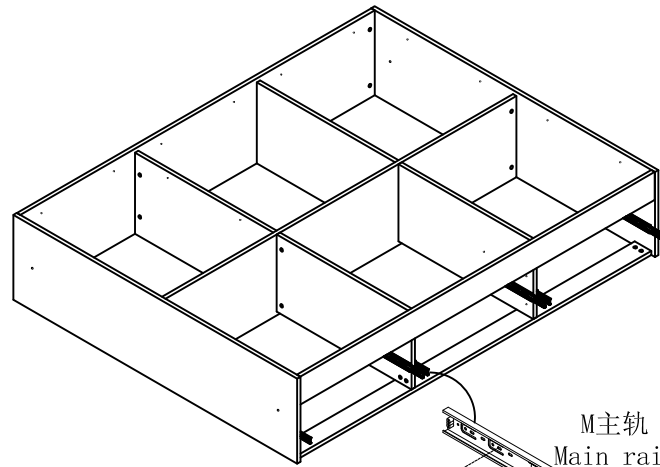


注: 先将A与B拆下来
Note: remove a and B first



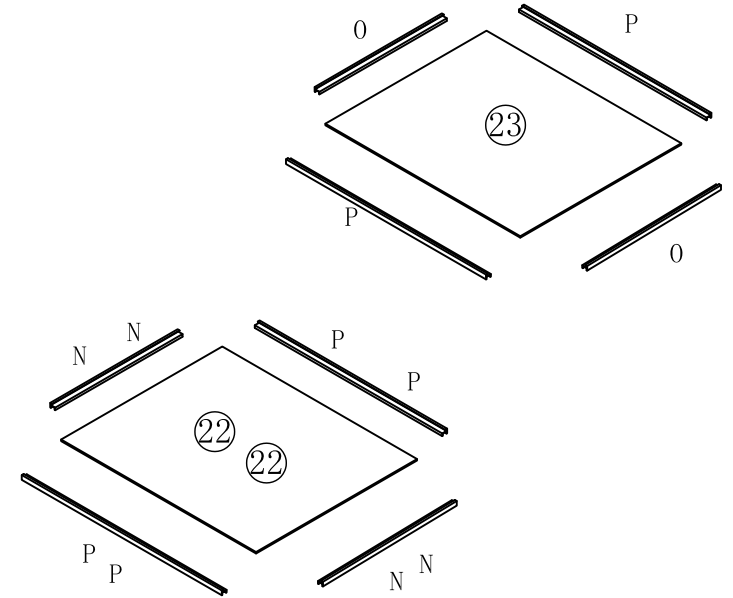
(M)*3

(K)*18



9

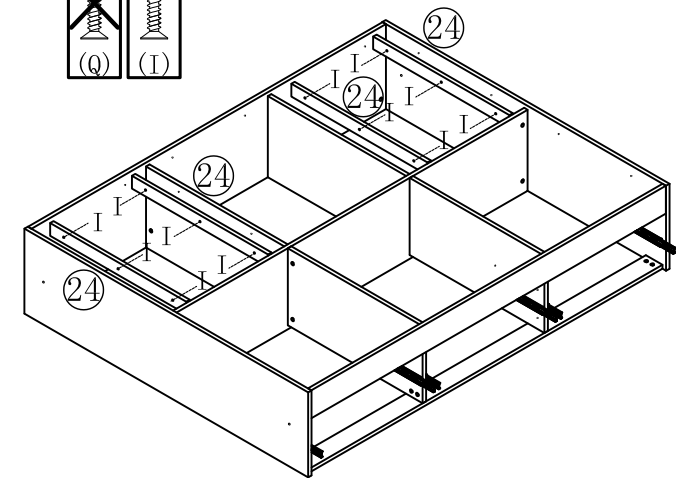
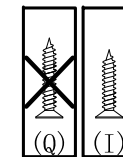
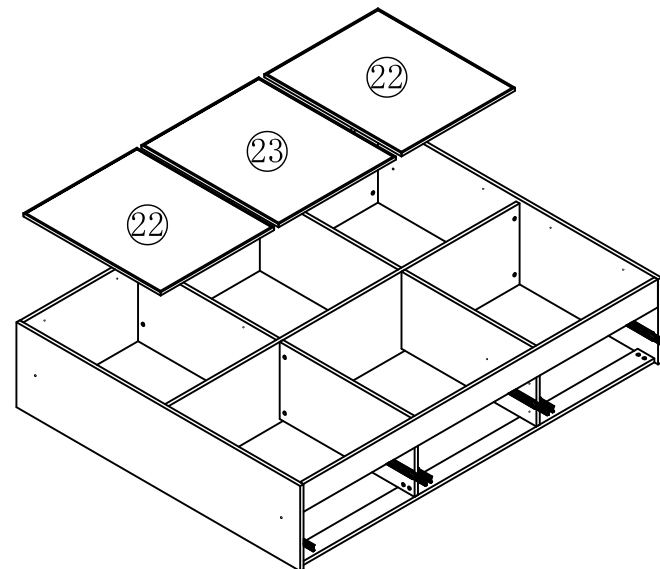
(N)*4
(O)*2
(P)*6



10

11

(I)*12



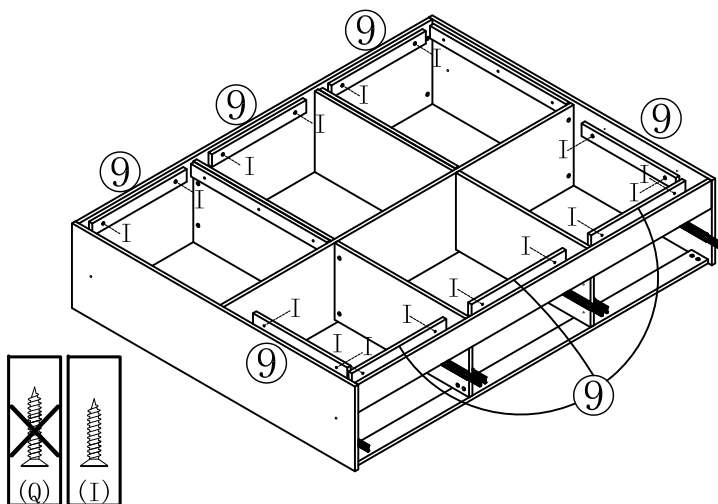
12

JJ1A-A (1.5m)

安装方法/
Installation method

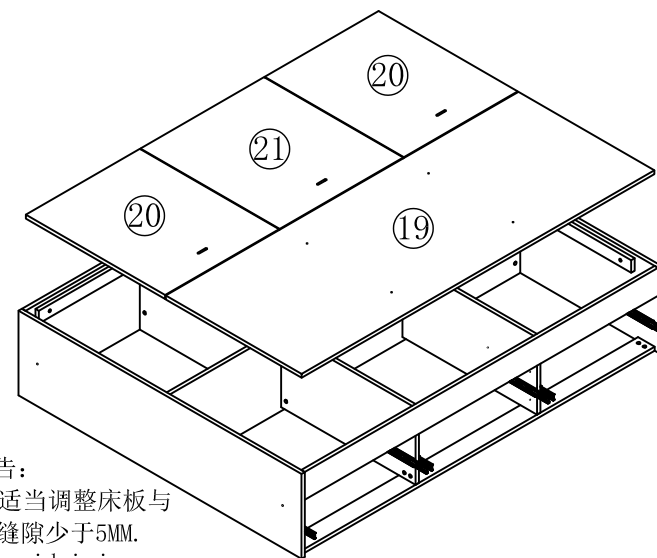


(I)*16



13

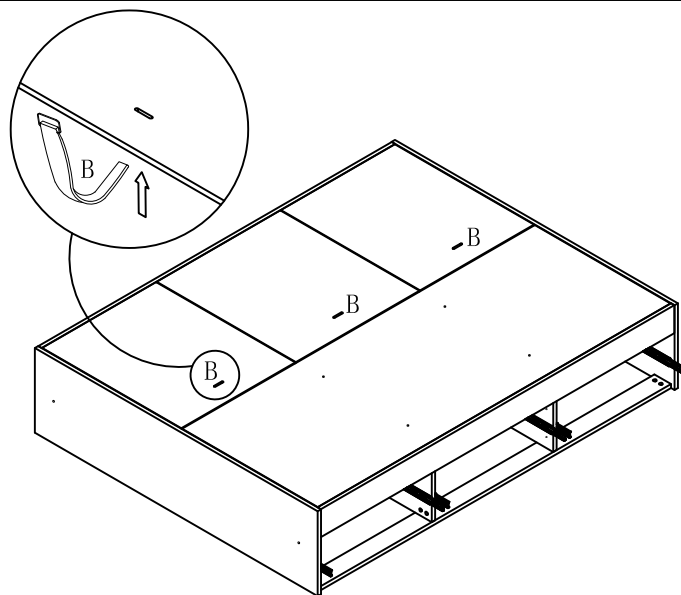
14



警告：
为避免夹伤，请适当调整床板与
床侧间隙，使缝隙少于5mm。
Warning: To avoid injury,
Please adjust the gap that
less than 5mm between the bed
board and side.

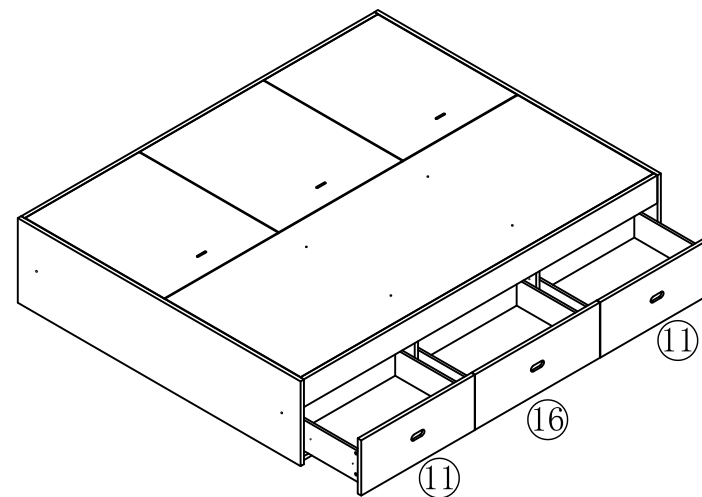


(B)*3



15

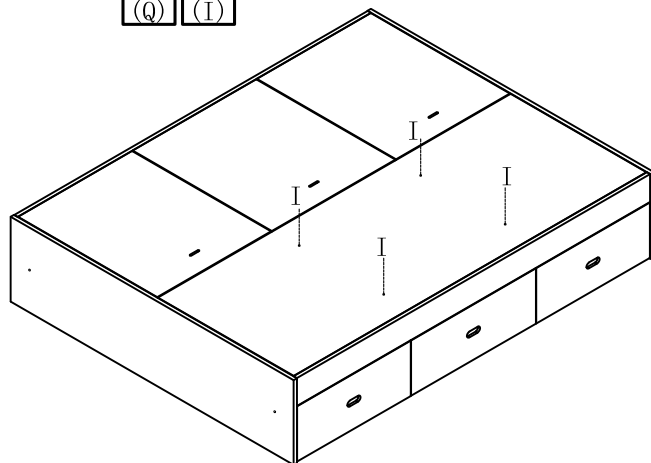
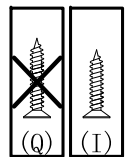
16



JJ1A-A (1.5m)

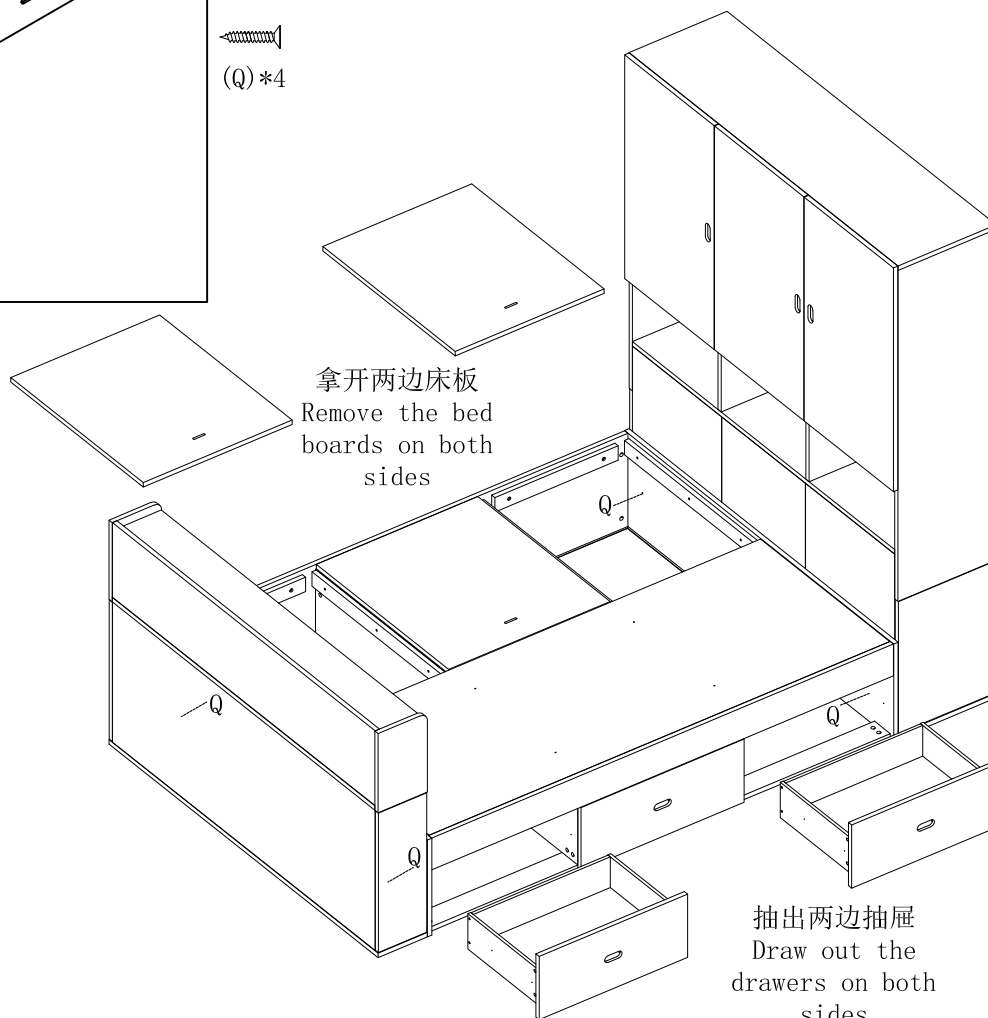
安装方法/
Installation method

←
(I)*4



17

←
(Q)*4



拿开两边床板
Remove the bed
boards on both
sides

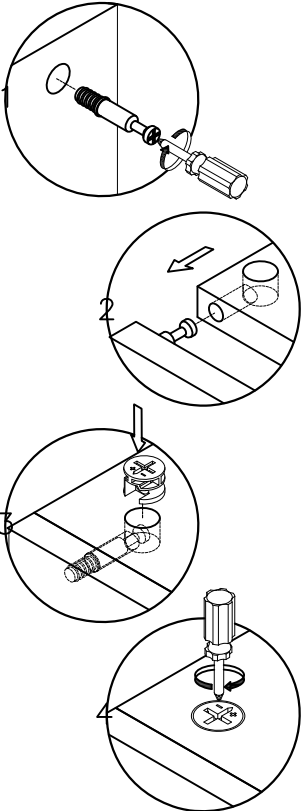
抽出两边抽屉
Draw out the
drawers on both
sides

注:购买此组合才用到五金 Q
没购买此组合无需理会
Note: Hardware is only used when
purchasing this combination Q You
don't need to pay attention if you
don't buy this combination

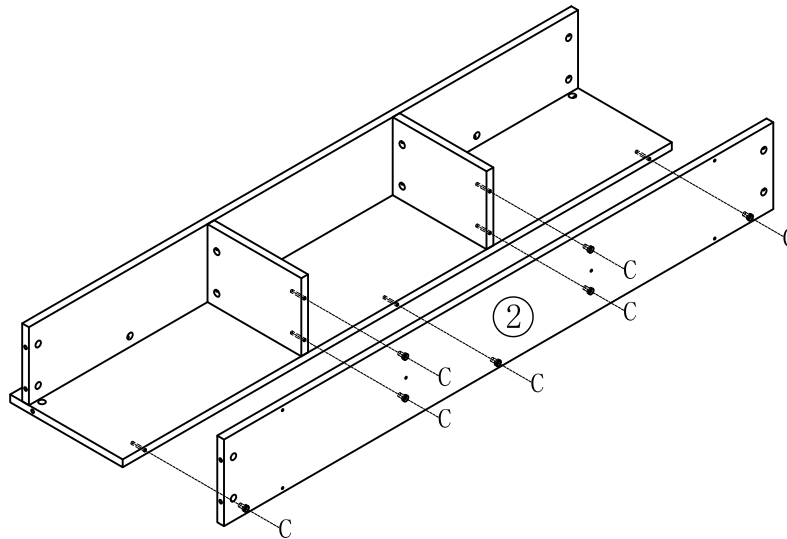
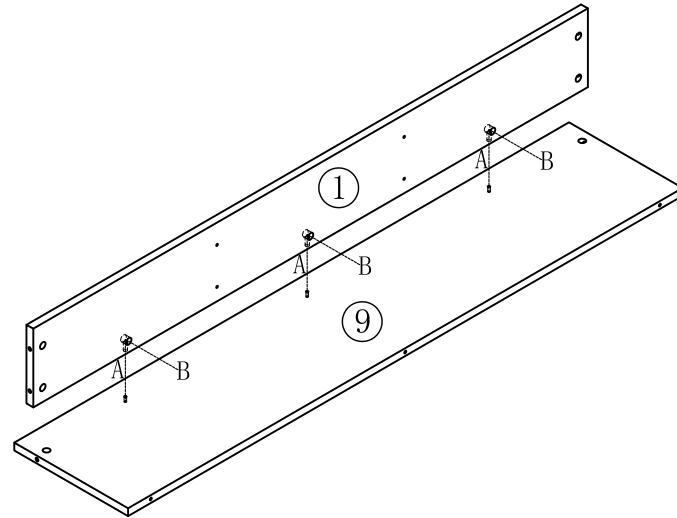
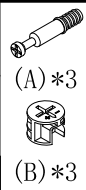
18

JJ1E-A (1.5m)

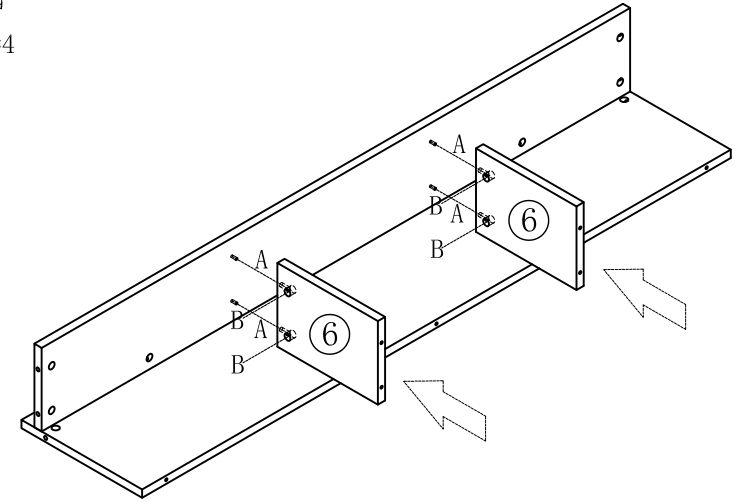
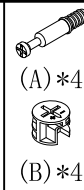
安装方法/
Installation method



大二合一
two-in-one

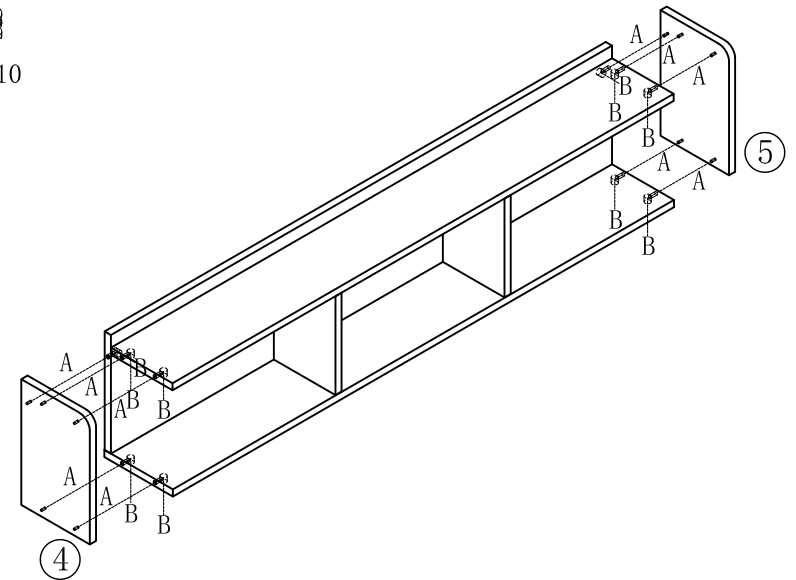
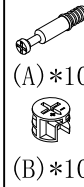


1



2

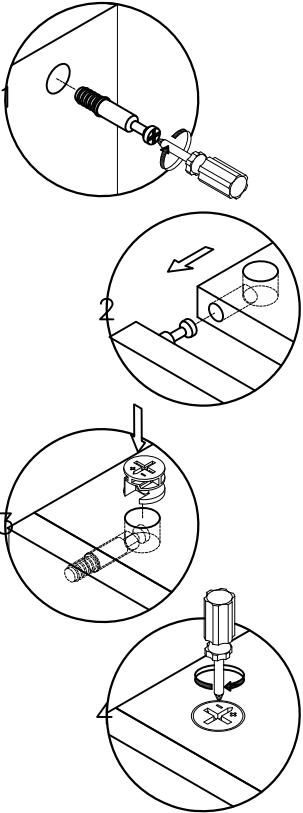
3



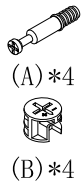
4

JJ1E-A (1.5m)

安装方法/
Installation method



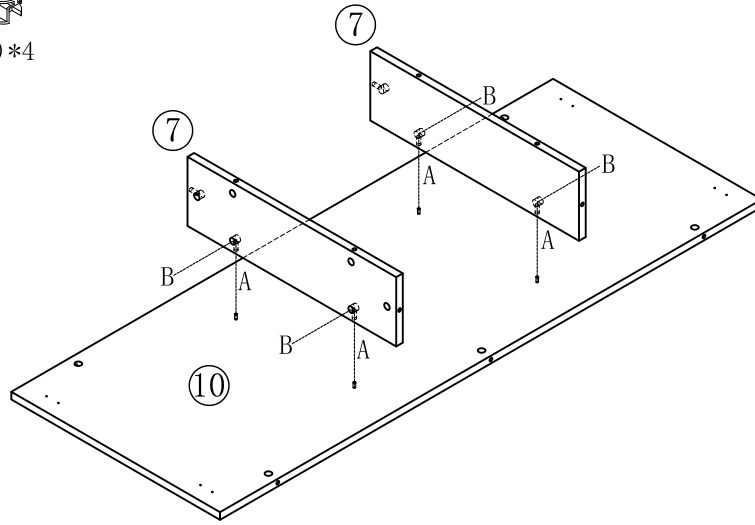
大二合一
two-in-one



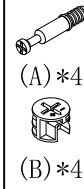
(A)*4



(B)*4



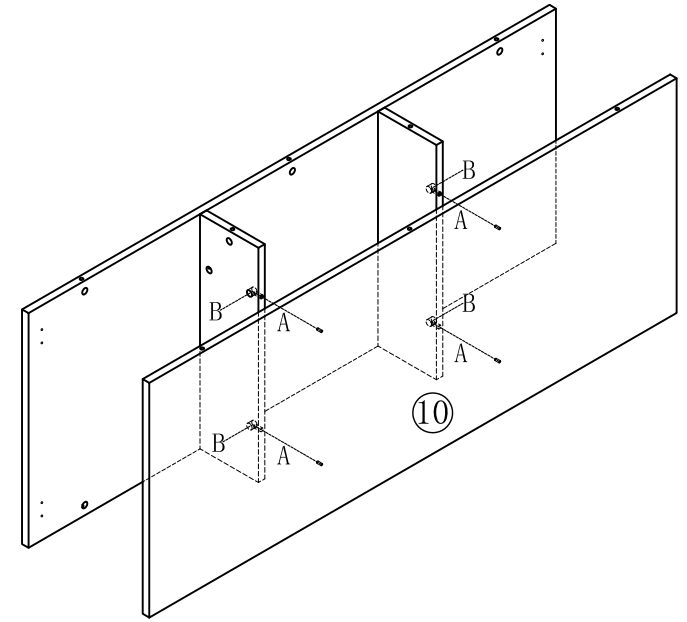
5



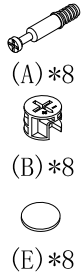
(A)*4



(B)*4



6



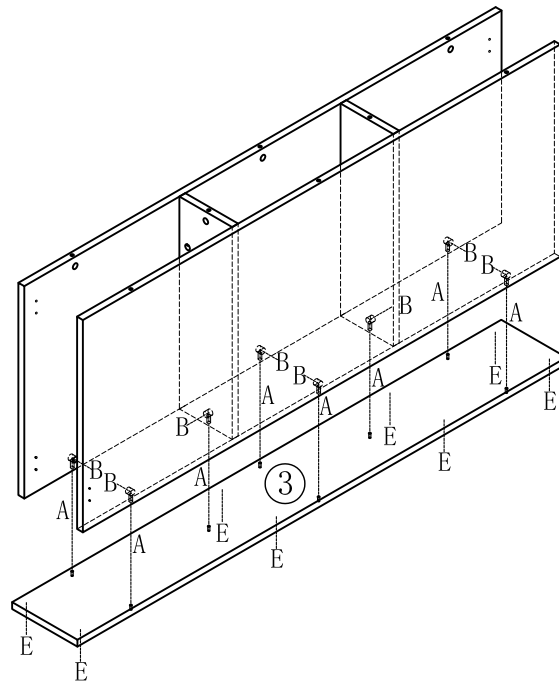
(A)*8



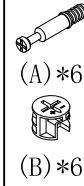
(B)*8



(E)*8



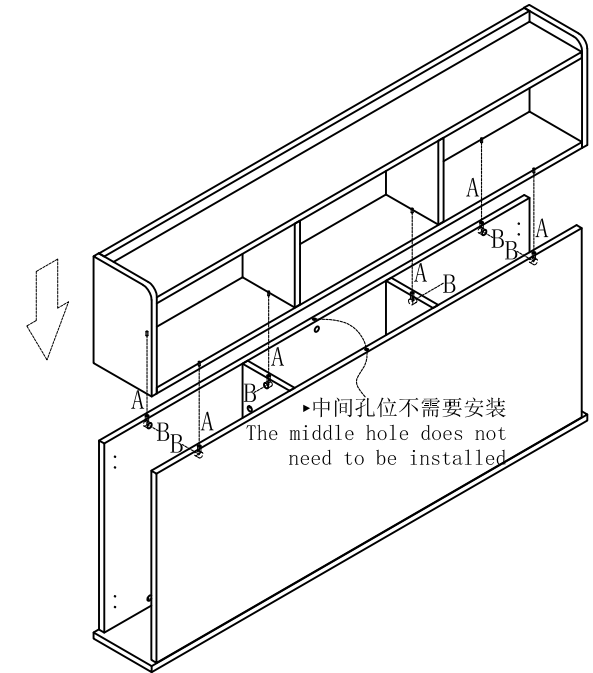
7



(A)*6



(B)*6



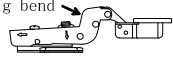
▶中间孔位不需要安装
The middle hole does not
need to be installed

8

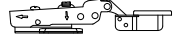
JJ1E-A(1.5m)

安装方法/
Installation method

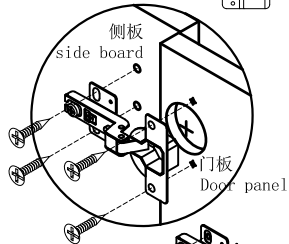
大弯big bend



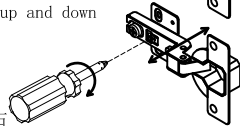
中弯middle bending



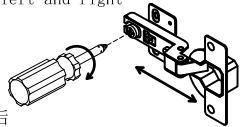
直弯straight bending



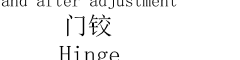
调节上下
Adjust up and down



调节左右
Adjust left and right



调节前后
Before and after adjustment

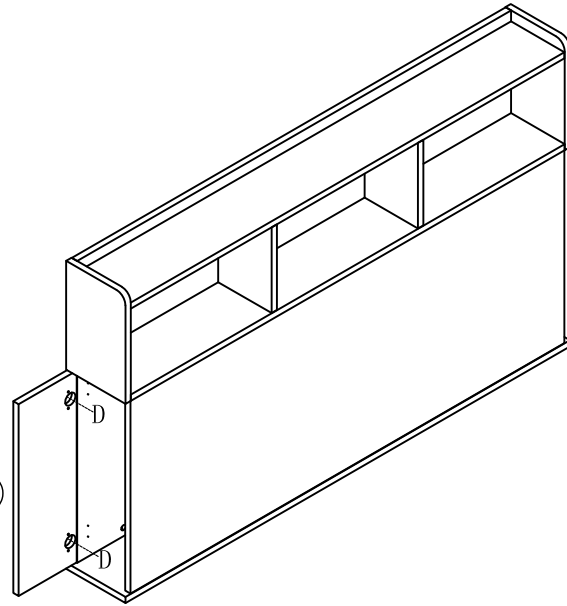


门铰
Hinge



(D)*2

8

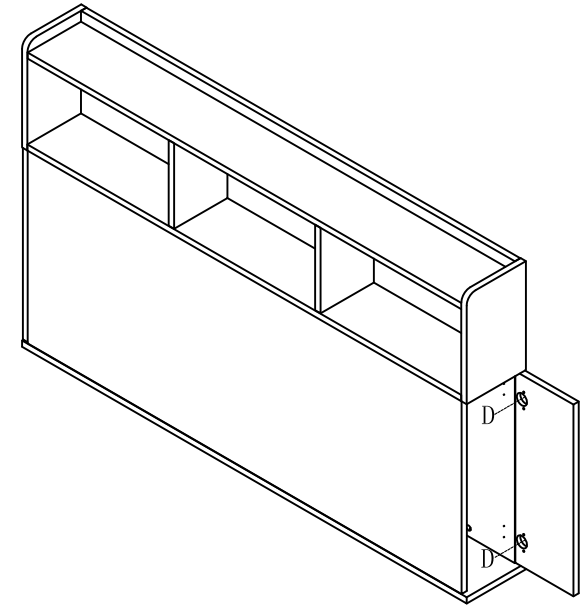


9



(D)*2

8

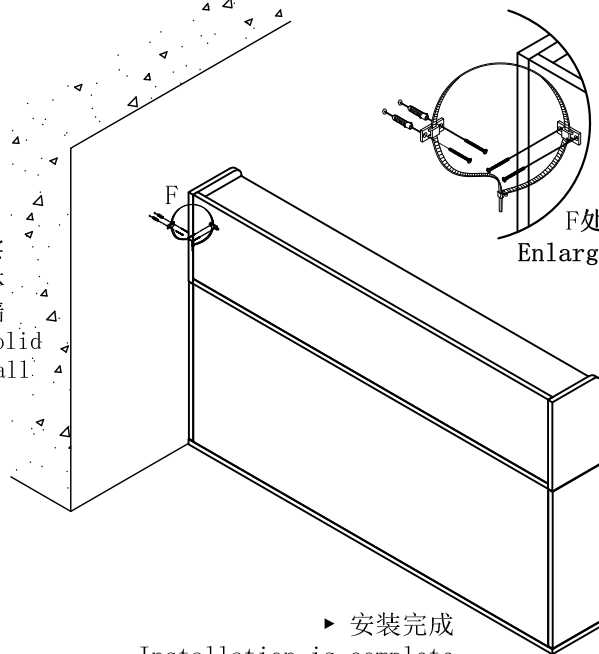


11



(F)*1

实体墙
Solid wall



F处放大图
Enlarged drawing

► 安装完成
Installation is complete

10

12

