




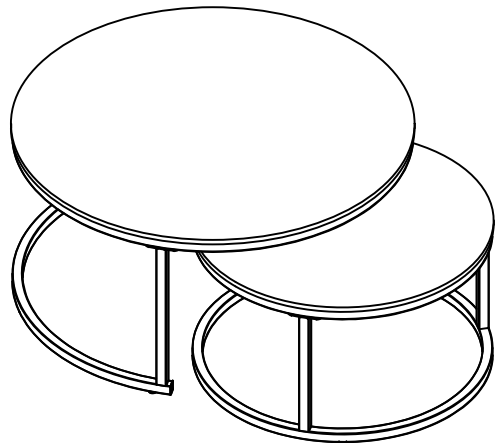
# LINSY 林氏家居

## 安装示意图/installation diagram

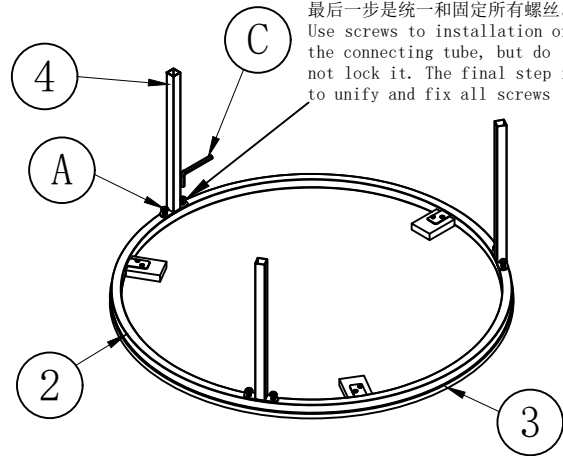
产品名称 Product Name	LS093J9-A1/B1 组合茶几	产品规格 Product specification	Ø800*392/Ø600*338
----------------------	-----------------------	-------------------------------	-------------------

安装工具 Installation tools		安装人数 Installer	
----------------------------	---	-------------------	---

五金表/Screw part				部件表/Parts list				
编号 Grade	名称	图示	数量	编号 Grade	名称 Name	规格 Specification	数量 Quantity	材质 Texture of material
(A)	内六角螺丝 6*12 screw 6*12		12	(1)	底框(大茶几) bottom frame Big coffee table	Ø795*20	1	铁 Iron
(B)	内六角螺丝 6*30 screw 6*30		6	(2)	面框(大茶几) Surface frame Big coffee table	Ø795*20	1	铁 Iron
(C)	4mm六角扳手 4mm KEY		1	(3)	面板(大茶几) Top panel Big coffee table	Ø800*11	1	岩板 Rock plate
				(4)	支撑脚(大茶几) supporting foot Big coffee table	333*70*21	3	铁 Iron
				(5)	底框(小茶几) bottom frame Small coffee table	Ø595*20	1	铁 Iron
				(6)	面框(小茶几) Surface frame Small coffee table	Ø595*20	1	铁 Iron
				(7)	面板(小茶几) Top panel Small coffee table	Ø600*11	1	岩板 Rock plate
				(8)	支撑脚(小茶几) supporting foot Small coffee table	279*70*21	3	铁 Iron

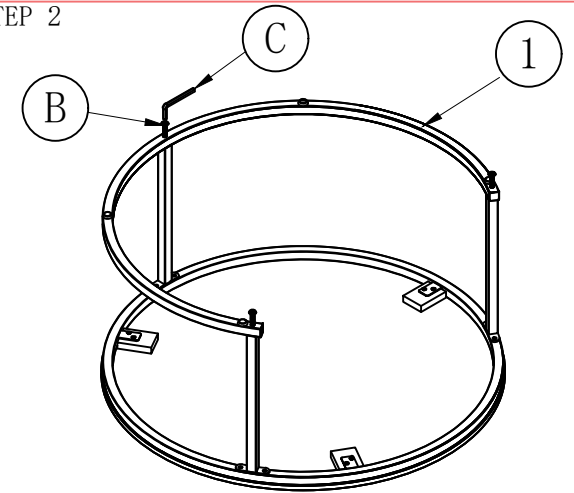


### STEP 1

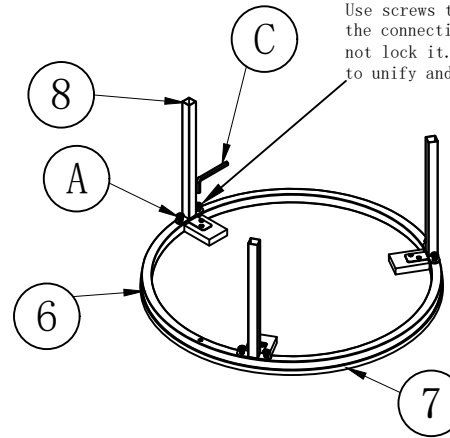


用螺丝安装连接管,但不要锁紧,最后一步是统一和固定所有螺丝。  
Use screws to installation of the connecting tube, but do not lock it. The final step is to unify and fix all screws

### STEP 2

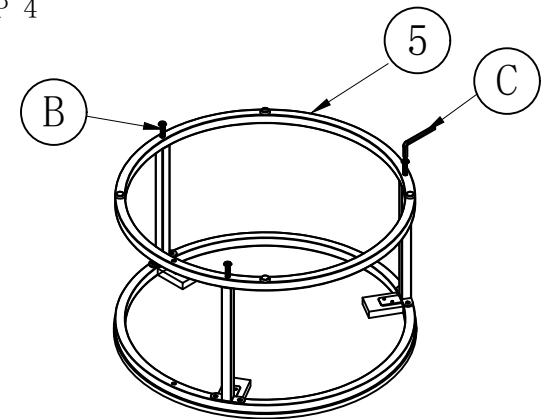


### STEP 3



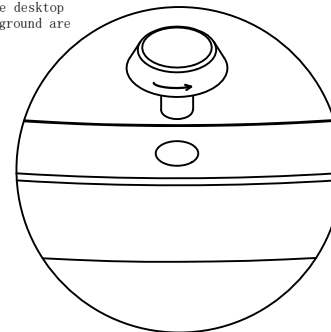
用螺丝安装连接管,但不要锁紧,最后一步是统一和固定所有螺丝。  
Use screws to installation of the connecting tube, but do not lock it. The final step is to unify and fix all screws

### STEP 4



### STEP 5

顺时针调节  
直至茶几面与底面平稳  
Adjust clockwise  
and anticlockwise  
until the desktop  
and the ground are  
stable



### STEP 6

