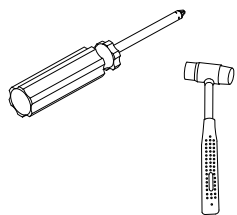
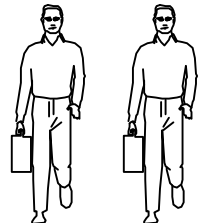


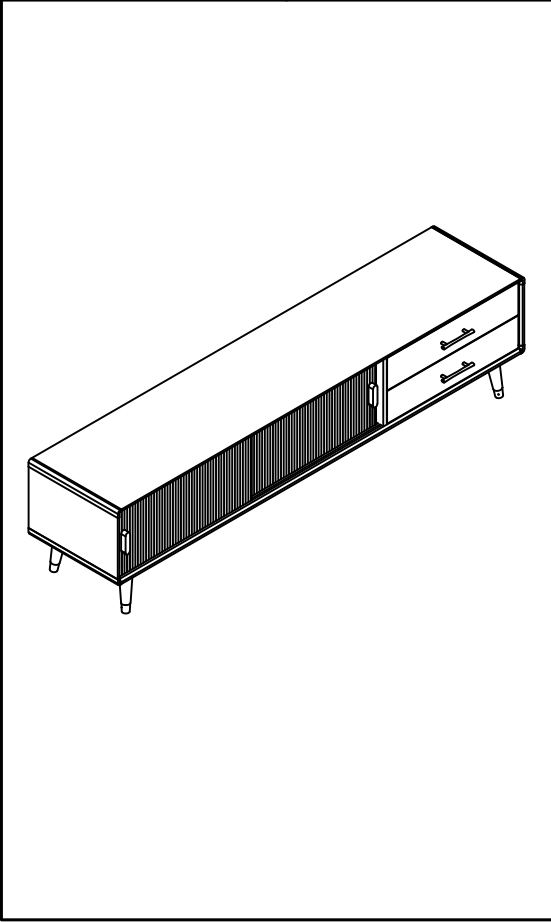
# LINSY 林氏家居

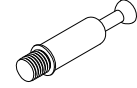

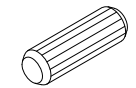
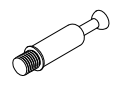


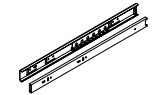
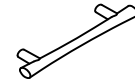




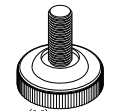
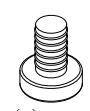
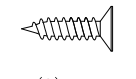
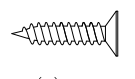
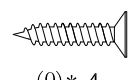
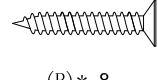

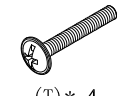
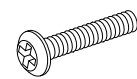
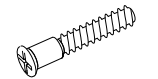
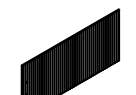

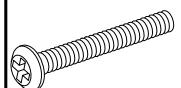
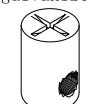
## 五金表/Hardware list

## 部件表/Parts List

### 安装示意图/Assembly Instruction

|   |   |
|---|---|
| 产品名称 Model NO.  | JU3M-A(1.8m)  |
| 产品规格 Specification  | 1826*417*448 mm   |
| 安装工具 Tool   | 安装人数 Installer  |
|  |  |

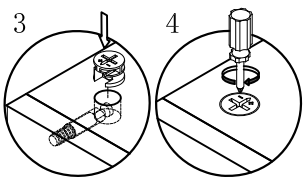
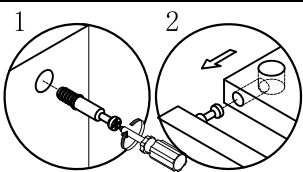


|  |  |  |   |
|--|--|--|---|
| <br>(A)* 29<br>二合一螺杆(35mm)<br>2-in-1-screw            | <br>(B)* 29<br>大三合一锁饼(15mm)<br>Three-in-one large lock        | <br>(C)* 29<br>木榫Ø8x30mm<br>wood tenon              | <br>(D)* 8<br>小二合一杆7*28<br>small two-in-one rod      |
| <br>(E)* 8<br>小三合一锁饼(13mm)<br>small three-in-one lock | <br>(F)* 8<br>塑料螺母<br>Plastic Nut                             | <br>(G)* 2<br>三节滚珠导轨-12"<br>three-section ball rail | <br>(H)* 2<br>拉手<br>Handle                           |
| <br>(I)* 4<br>玻璃层板托杆/叉<br>Glass laminate holder       | <br>(J)* 8<br>背板扣<br>Back Plate Buckle-White                  | <br>(K)* 1<br>穿线孔盖-Ø1<br>Threading cover            | <br>(L)* 4<br>透明防撞垫片Ø10x1.5<br>anti-collision gasket |
| <br>(M)* 2<br>调节五金脚-M8x30<br>Adjusting foot           | <br>(N)* 4<br>透明防滑PVC胶塞<br>PVC rubber plug                    | <br>(O)* 25<br>自攻螺丝M3.5x12mm<br>Self-tapping screw  | <br>(P)* 8<br>自攻螺丝M3.5x16mm<br>Self-tapping screw    |
| <br>(Q)* 4<br>自攻螺丝M4x20mm<br>Self-tapping screw      | <br>(R)* 8<br>自攻螺丝M4x40mm<br>Self-tapping screw             | <br>(S)* 4<br>拉手螺丝-M4x10mm<br>pulling screw        | <br>(T)* 4<br>拉手螺丝-M4x20mm<br>pulling screw         |
| <br>(U)* 2<br>斜边十字螺杆-M8x30<br>bevel cross screw     | <br>(V)* 2<br>过山丝-M7x38mm<br>Self-tapping screw galvanized | <br>(W)* 2<br>门板玻璃<br>Door glass                  | <br>(X)* 1<br>层板玻璃<br>Laminated glass              |
| <br>(Y)* 4<br>斜边十字螺杆-M8x50<br>bevel cross screw     | <br>(Z)* 4<br>锤母-M8 Ø12x15mm<br>Hammer nut                  |  |   |

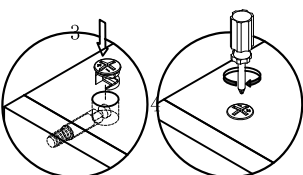
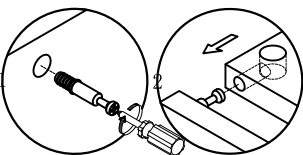
| 编号NO. | 名称Name                       | 规格 (mm)<br>Specification | 数量QTY | 材质Material  |
|-------|------------------------------|--------------------------|-------|-------------|
| ①     | 面板 Top panel                 | 1782*398*15              | 1     | 三胺板Melamine |
| ②     | 底板 Bottom board              | 1782*328*15              | 1     | 三胺板Melamine |
| ③     | 底板加条 Bottom plate banding    | 1782*70*16               | 1     | 实木Wood      |
| ④     | 侧板 Side board                | 225*398*15               | 2     | 三胺板Melamine |
| ⑤     | 左侧柱 L side pillar            | 398*16*32                | 2     | 实木Wood      |
| ⑥     | 右侧柱 Side column(R)           | 398*16*32                | 2     | 实木Wood      |
| ⑦     | 内侧板 Inner side plate         | 258*354*15               | 2     | 三胺板Melamine |
| ⑧     | 左中侧板 Middle side board(L)    | 258*334*15               | 1     | 三胺板Melamine |
| ⑨     | 右中侧板 Middle side board(R)    | 258*368*15               | 1     | 三胺板Melamine |
| ⑩     | 背板 Back board                | 1762*268*5               | 1     | 三胺板Melamine |
| ⑪     | 抽屉面板 Drawer's top panel      | 585*126*15               | 2     | 三胺板Melamine |
| ⑫     | 抽屉左侧板 Drawer's side board(L) | 340*78*12                | 2     | 三胺板Melamine |
| ⑬     | 抽屉右侧板 Drawer's side board(R) | 340*78*12                | 2     | 三胺板Melamine |
| ⑭     | 抽屉后板 Drawer's Back board     | 524*78*12                | 2     | 三胺板Melamine |
| ⑮     | 抽屉底板 Drawer's Bottom board   | 534*336*5                | 2     | 三胺板Melamine |
| ⑯     | 门拉手 Door handle              | 85*20*20                 | 2     | 实木Wood      |
| ⑰     | 脚 Foot                       | 160*46*46                | 4     | 实木Wood      |
| ⑱     | 中脚 Middle foot               | 145*30*30                | 2     | 实木Wood      |

JU3M-A (1.8m)

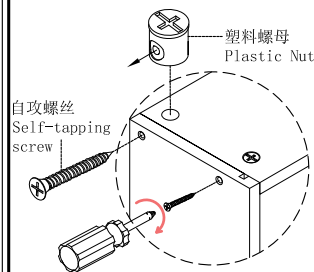
安装方法/  
Installation method



大二合一  
two-in-one

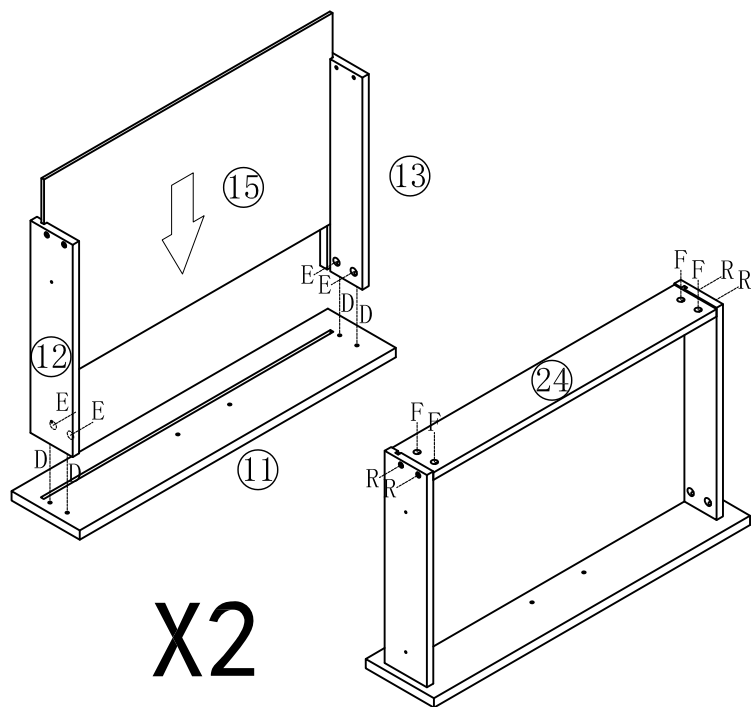


小二合一  
small two-in-one



塑料螺母  
Plastic Nut

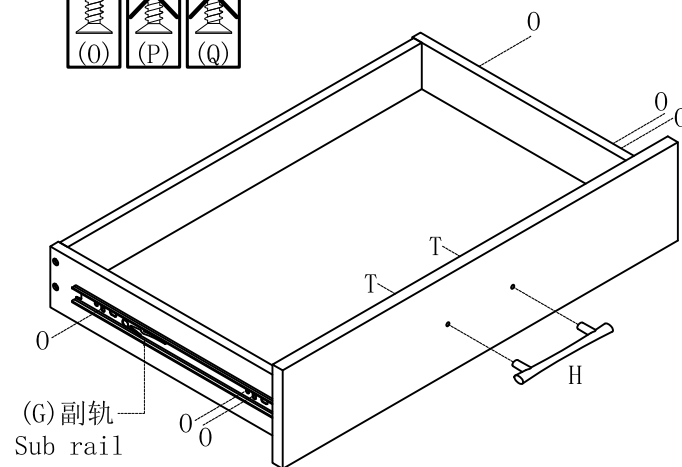
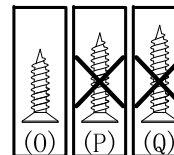
- (D) \*8
- (E) \*8
- (F) \*8
- (R) \*8



X2

1

- (G) \*2
- (H) \*2
- (O) \*12
- (T) \*4

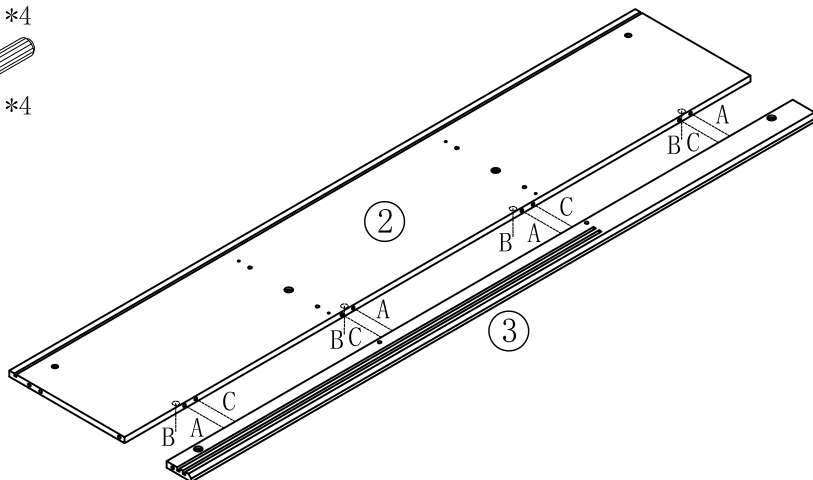


(G) 副轨  
Sub rail

X2

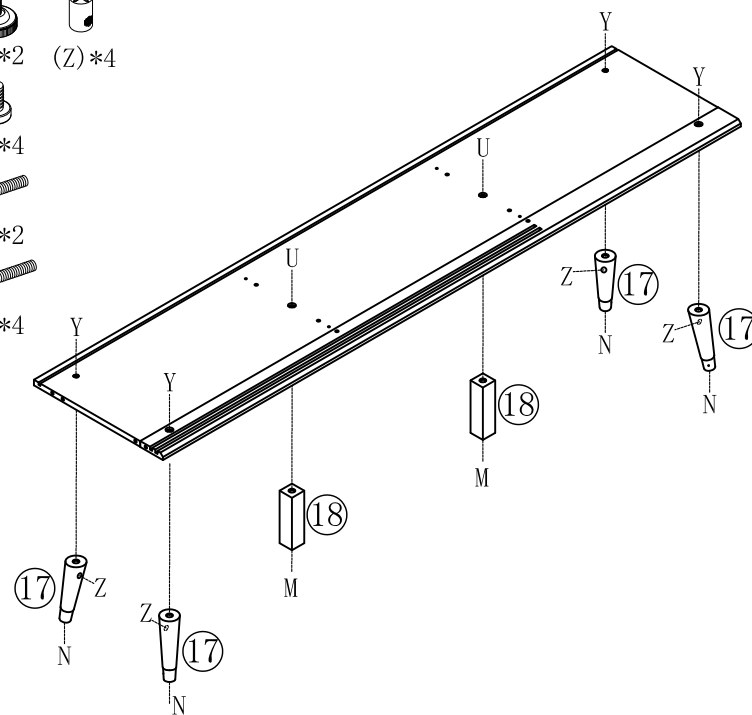
2

- (A) \*4
- (B) \*4
- (C) \*4



3

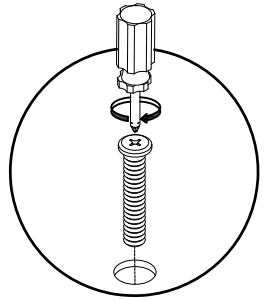
- (M) \*2
- (N) \*4
- (U) \*2
- (Y) \*4
- (Z) \*4



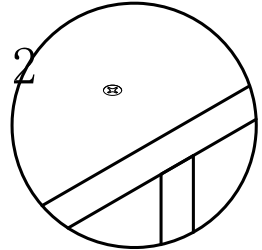
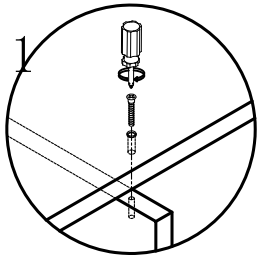
4

JU3M-A (1.8m)

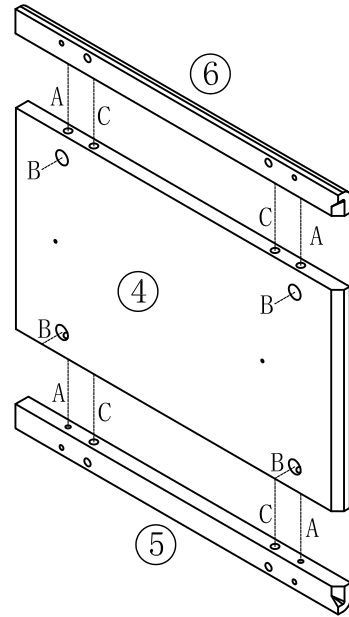
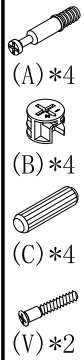
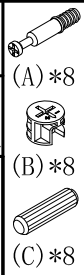
安装方法/  
Installation method



斜边十字螺杆  
bevel cross screw

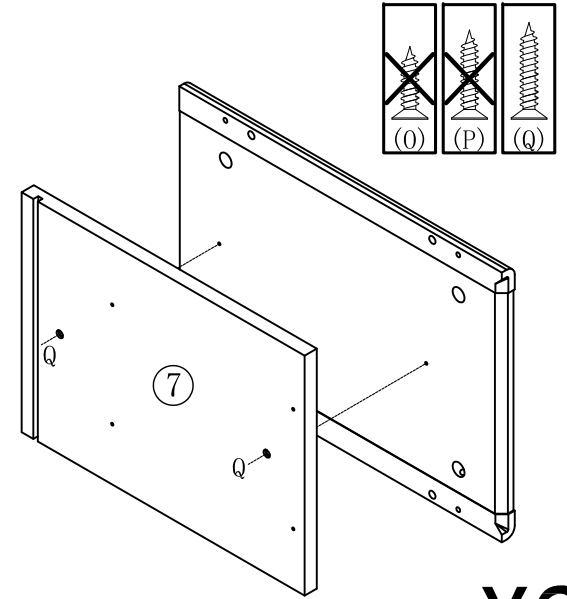


过山丝  
Self-tapping screw galvanized



X2

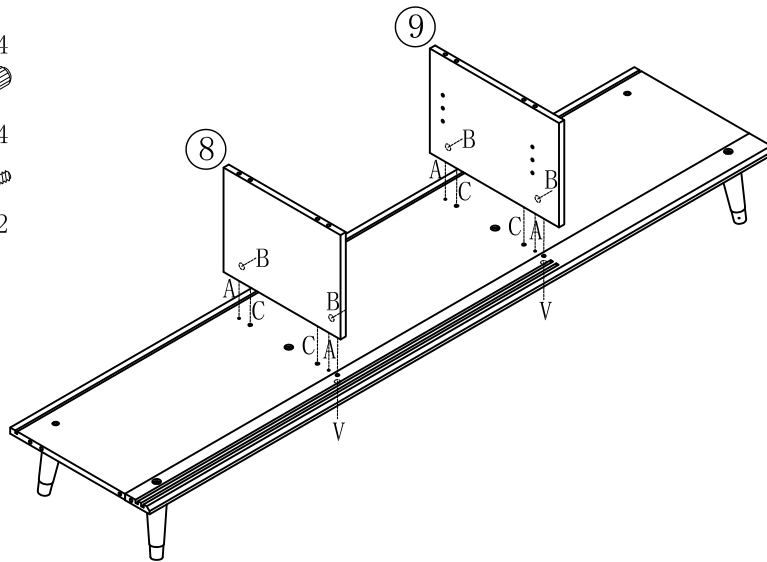
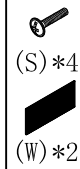
5



X2

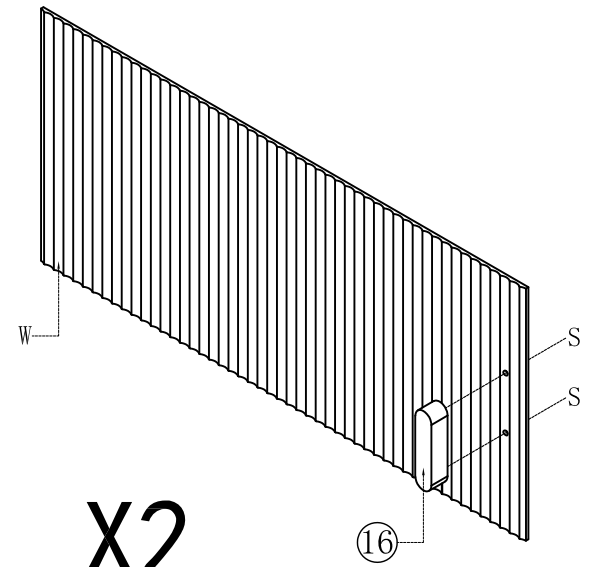
6

7



X2

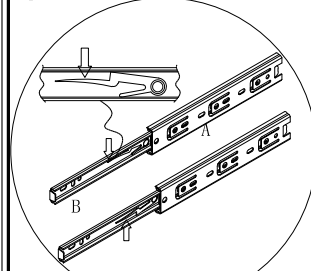
8



JU3M-A (1.8m)

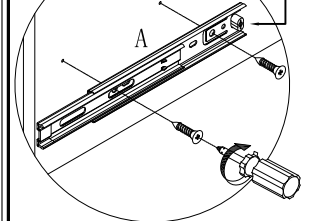
安装方法/  
Installation method

1 阀门开关(下压为开)  
Valve switch  
(press down to open)

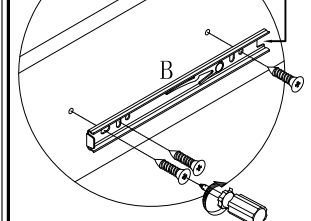


注: 先将A与B拆下来  
Note: remove a and B first

2 侧板  
side board  
后after



3 抽屉侧板  
sideboard  
of the drawer  
后after

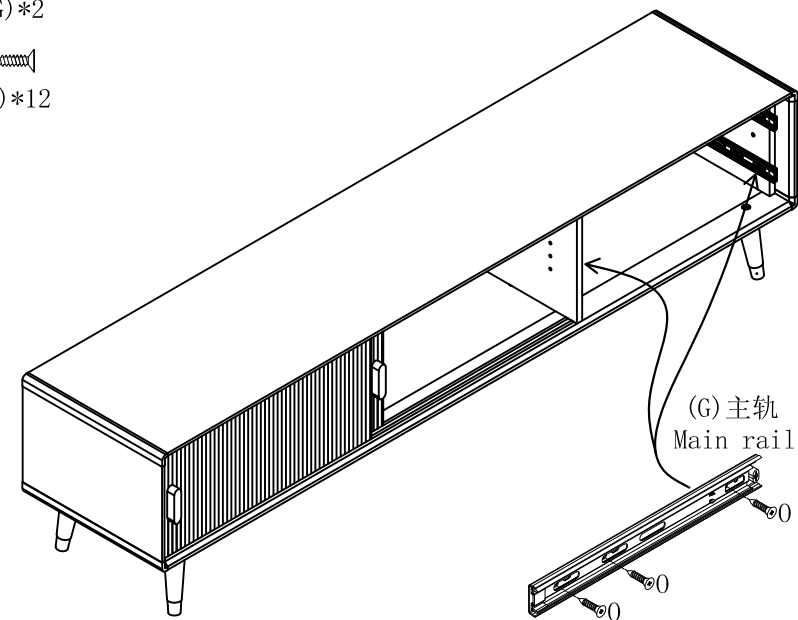
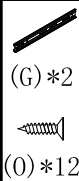
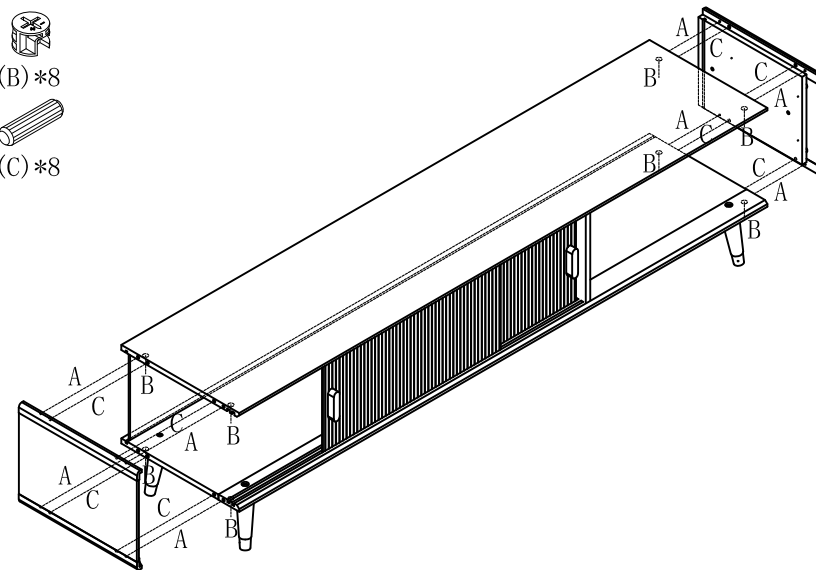
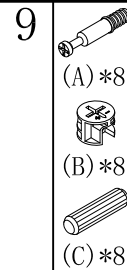
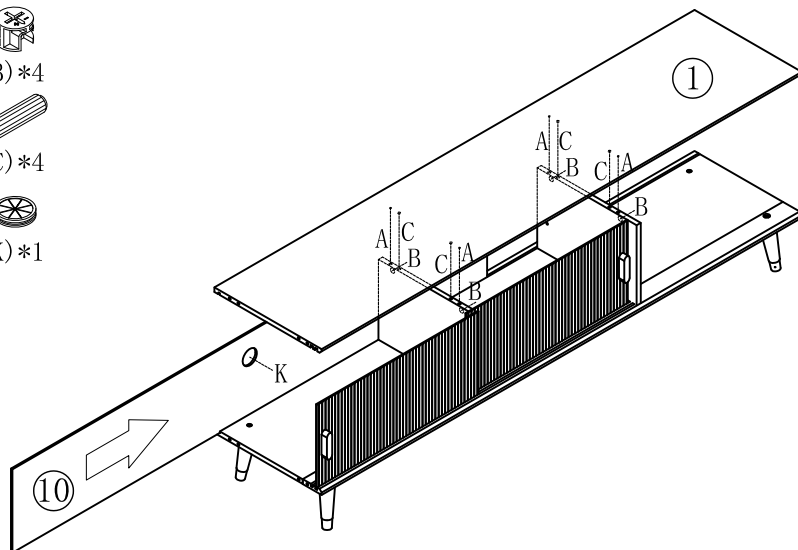
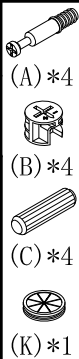


4 5

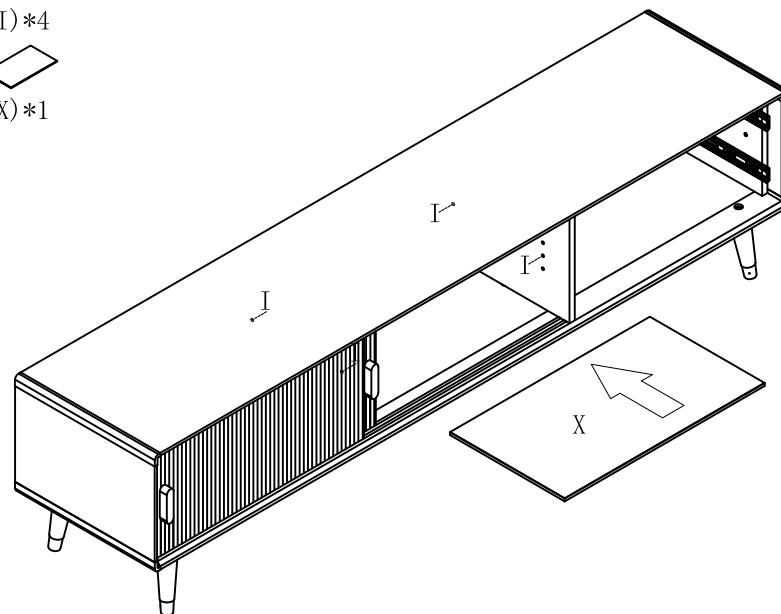
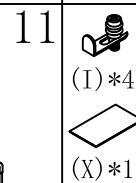


注: 将B对准A后推进去  
Note: align B with a and push it in

三节滚珠导轨  
three-section ball rail

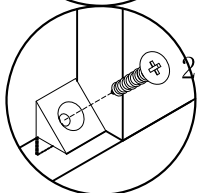
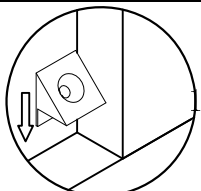


(G) 主轨  
Main rail

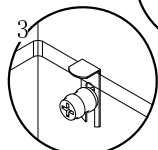
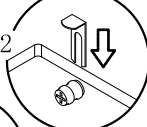
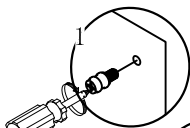


JU3M-A (1.8m)

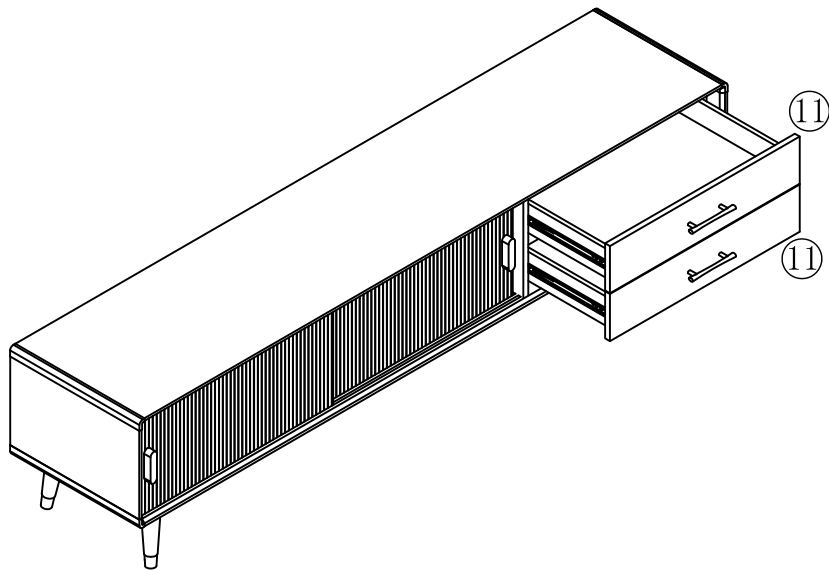
安装方法/  
Installation method



背板扣  
Back Plate Buckle-White

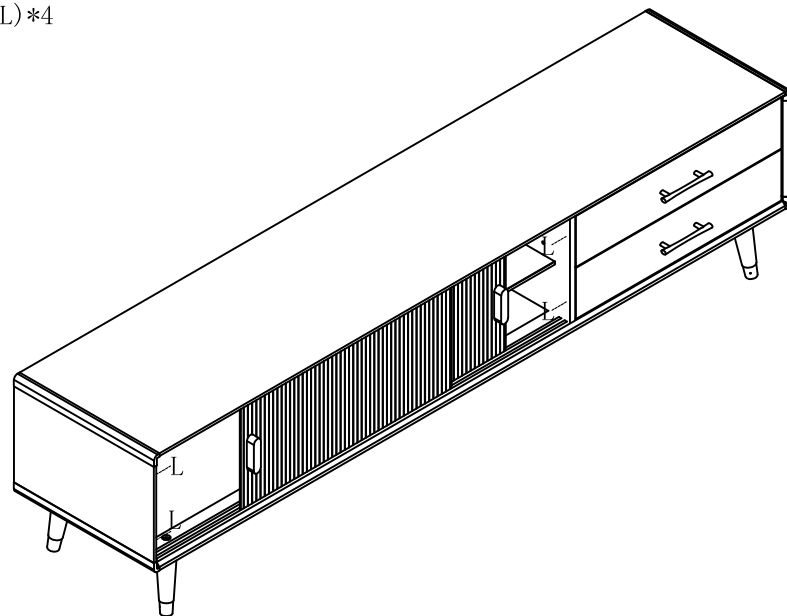


玻璃层板托  
Glass laminate holder



13

○  
(L)\*4



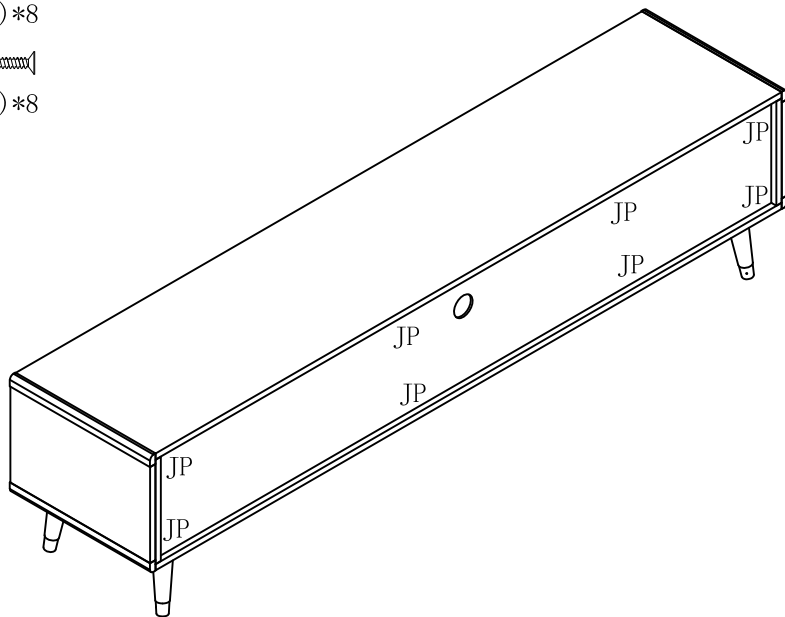
14



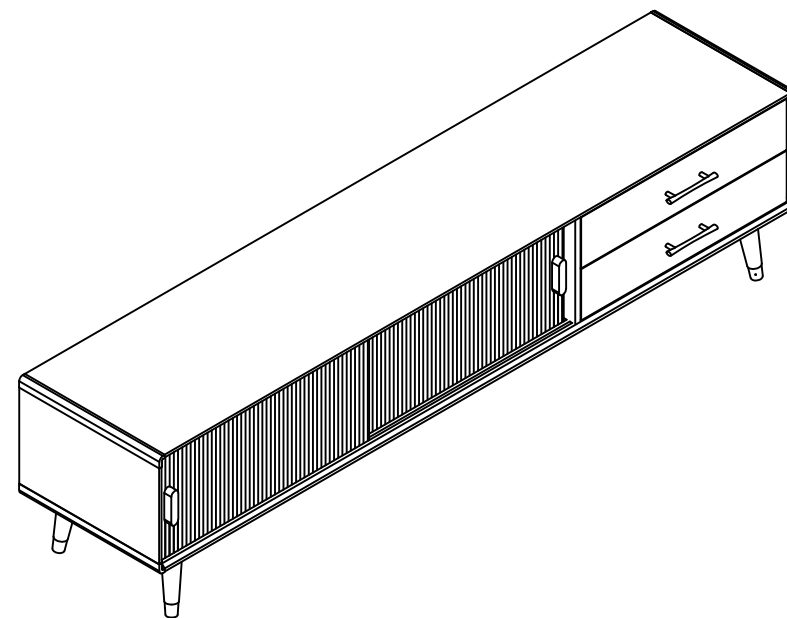
(J)\*8



(P)\*8



15



16