

LINSY 林氏家居

安装示意图/Assembly Instruction

产品名称 Model NO.

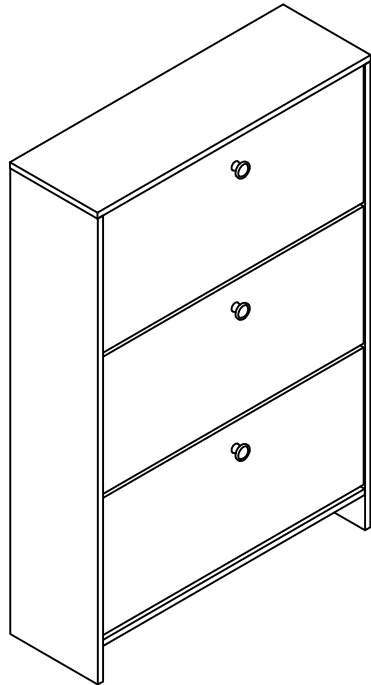
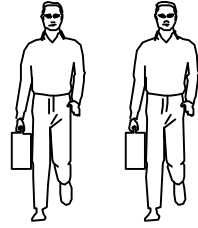
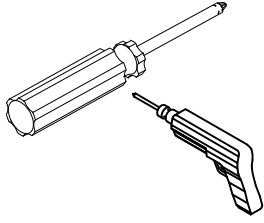
JJ1N-A

产品规格 Specification

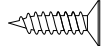
780*274*1170 mm

安装工具 Tool

安装人数 Installer

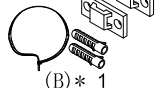


五金表/Hardware list



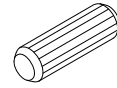
(A)* 51

自攻螺丝M3.5x12mm
Self-tapping screw



(B)* 1

家具防倒器-白色
Anti-fall device white



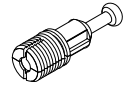
(C)* 8

木榫Ø8x30mm
wood tenon



(D)* 17

大三合一锁饼(15mm)
Three-in-one large lock



(E)* 17

二合一螺杆
2-in-1-screw



(F)* 13

背板扣
Back Plate Buckle-White



(G)* 13

自攻螺丝M3.5x16mm
Self-tapping screw



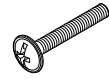
(H)* 3

透气孔盖-白色
Vent cover - white



(I)* 3

铝合金黑色拉手
Black handle



(J)* 3

拉手螺丝-M4x20mm
pulling screw



(K)* 3

双层鞋架-配件
Shoe rack - accessories



(L)* 3

双层鞋架-支架
Shoe rack - bracket



(M)* 4

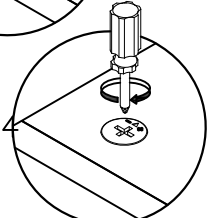
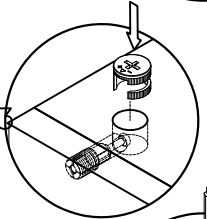
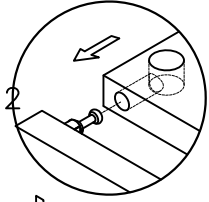
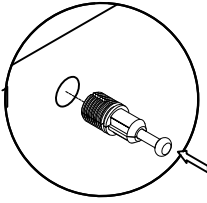
脚垫-灰色
Footrest - Grey

部件表/Parts List

编号NO.	名称Name	规格 (mm) Specification	数量QTY	材质Material
①	面板 Top panel	780*250*15	1	三胺板Melamine
②	左侧板 Side board(L)	1152*250*15	1	三胺板Melamine
③	右侧板 Side board(R)	1152*250*15	1	三胺板Melamine
④	背拉条 Back brace	748*93*15	2	三胺板Melamine
⑤	底板 Bottom board	748*248*15	1	三胺板Melamine
⑥	翻板 Turnover door	744*339*15	3	三胺板Melamine
⑦	层板1 Shelf 1	740*145*12	6	三胺板Melamine
⑧	层板2 Shelf 2	740*85*12	3	三胺板Melamine
⑨	背板 Back board	758*298*5	3	三胺板Melamine

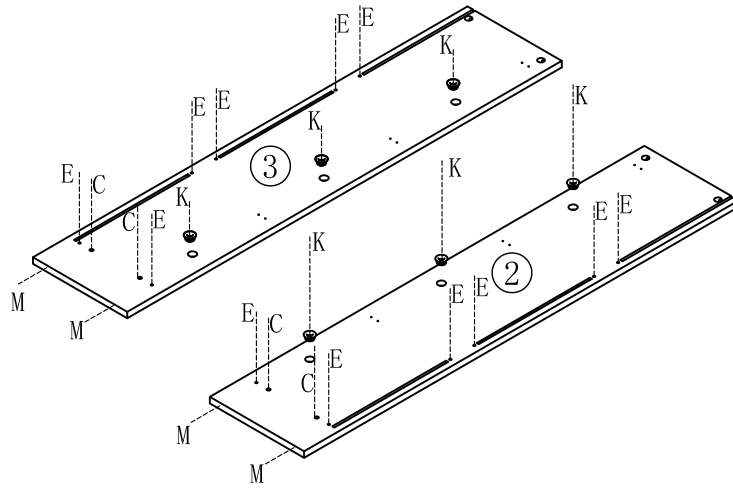
JJ1N-A

安装方法/
Installation method



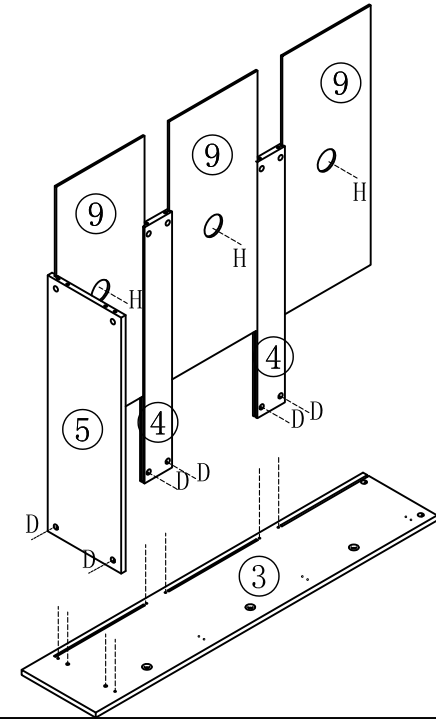
大二合一 (新型)
two-in-one (new type)

- (K) *6
- (E) *12
- (C) *4
- (M) *4



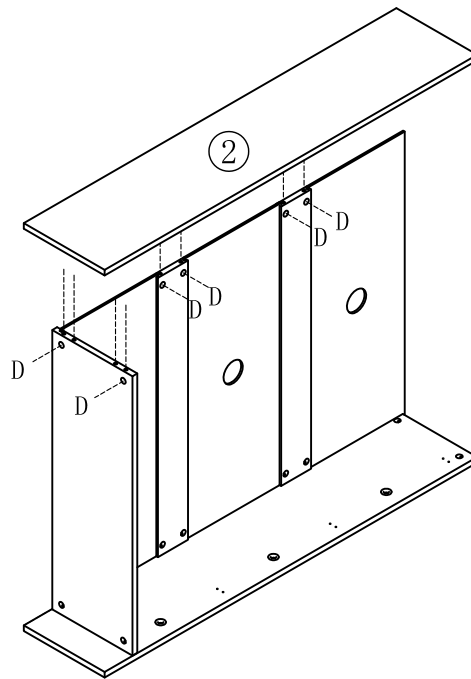
1

- (D) *6
- (H) *3



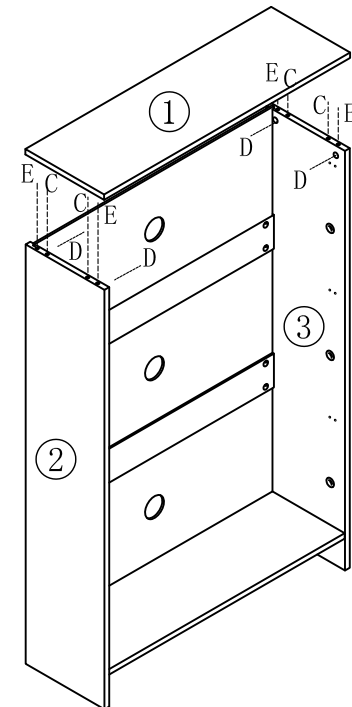
2

- (D) *6



3

- (D) *4
- (E) *4
- (C) *4



4

JJ1N-A

安装方法/
Installation method



(L)*3



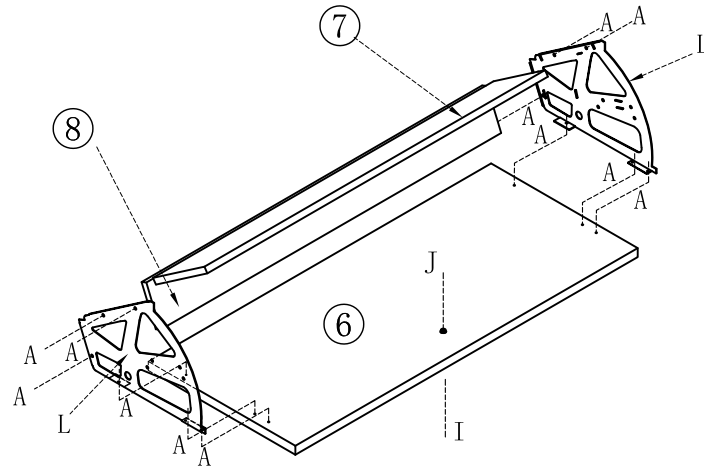
(I)*3



(J)*3



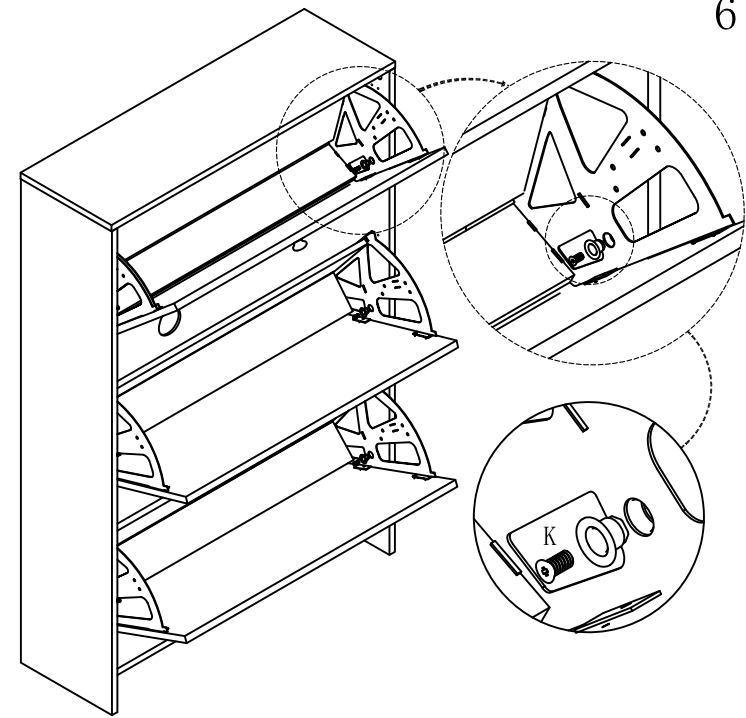
(A)*36



5



(K)*6



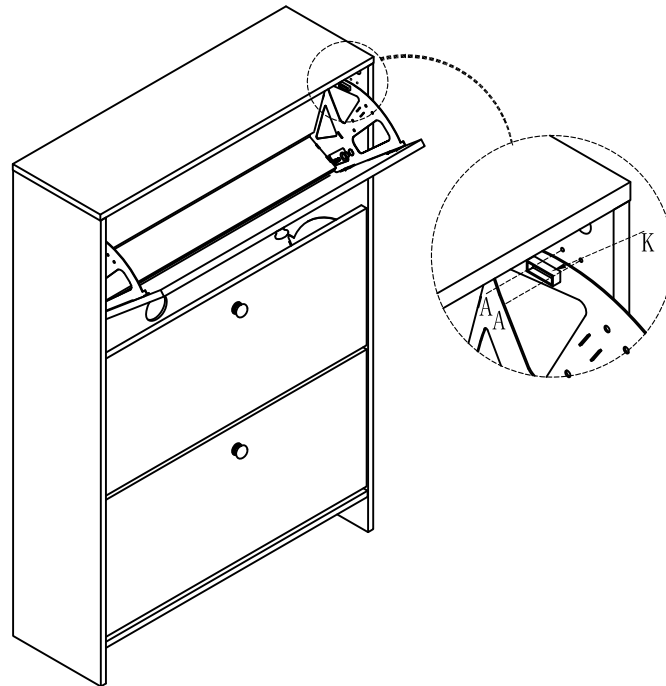
6



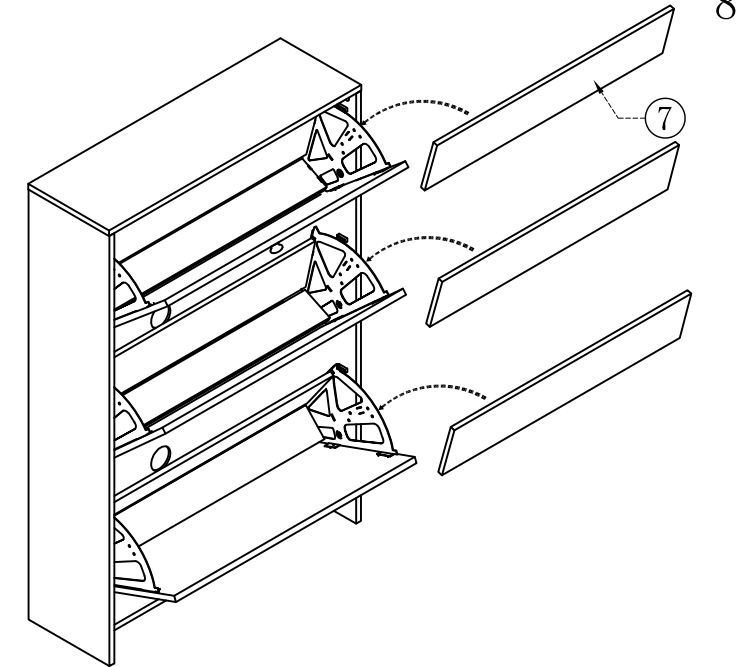
(K)*6



(A)*12



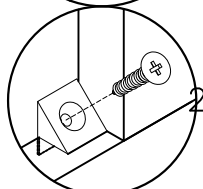
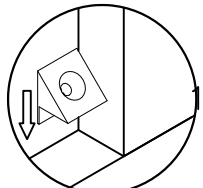
7



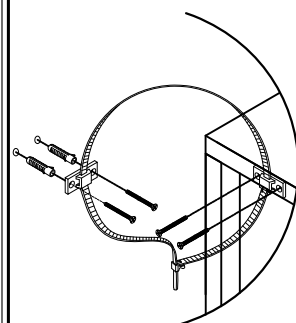
8

JJ1N-A

安装方法/
Installation method



背板扣
Back Plate Buckle-White



防倒器
Anti-fall device



(F)*12

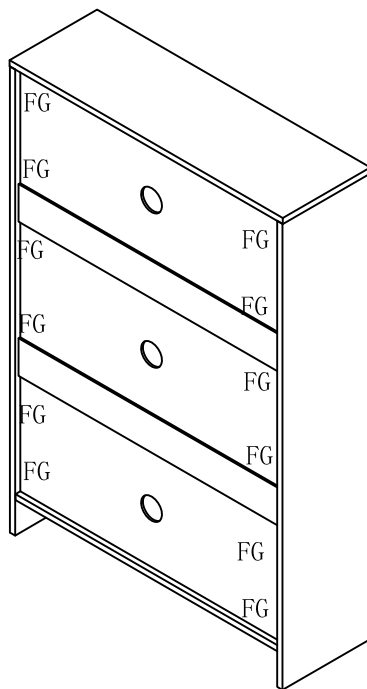


(G)*12

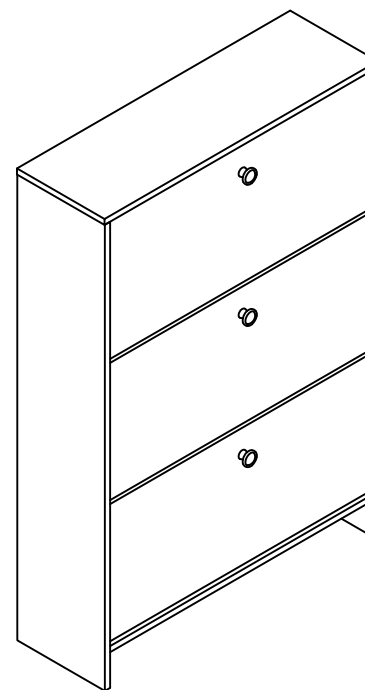


(B)*1

实体墙
Solid wall

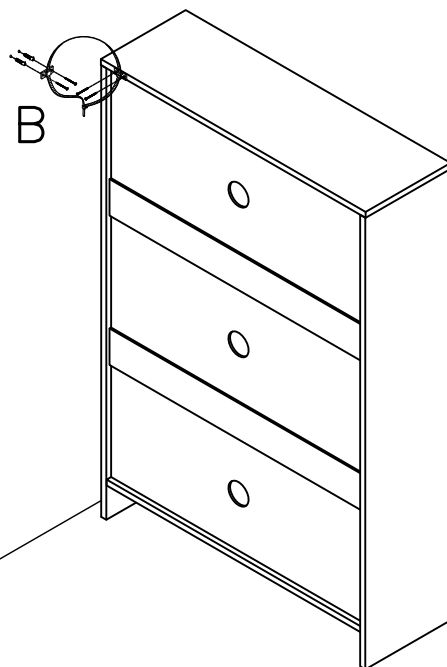


9

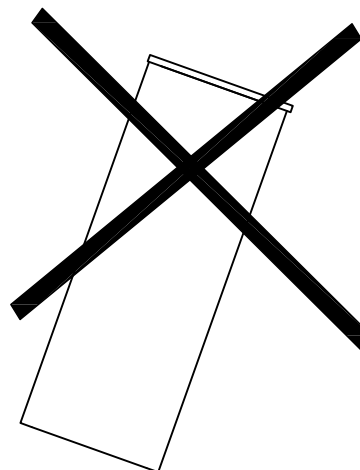


10

注：抽屉面板与柜体的间隙为设计开启抽屉使用，小心夹伤！
Note: the gap between the drawer panel and the cabinet is designed to open the drawer. Be careful not to pinch!



11



12