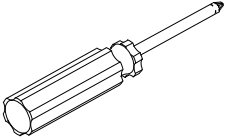
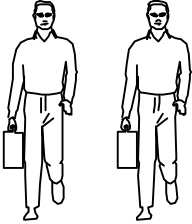


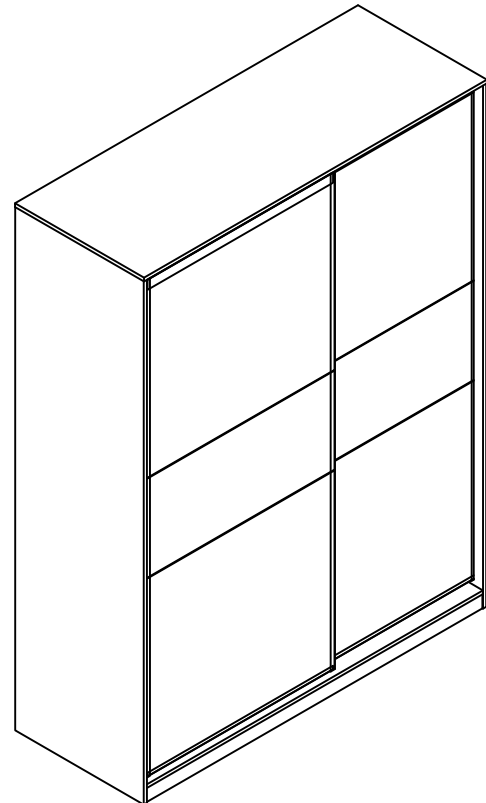
# LINSY 林氏家居

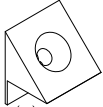
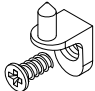

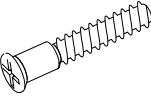
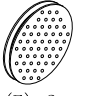
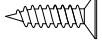
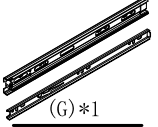

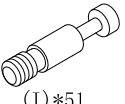

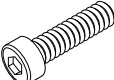
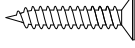

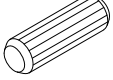

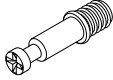
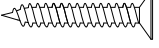


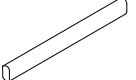

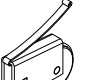

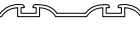

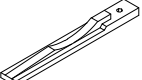

## 五金表/Hardware list

## 部件表/Parts List

### 安装示意图/Assembly Instruction

产品名称 Model NO.	CP5D-E
产品规格 Specification	1591*598*2121mm
安装工具 Tool	安装人数 Installer
	

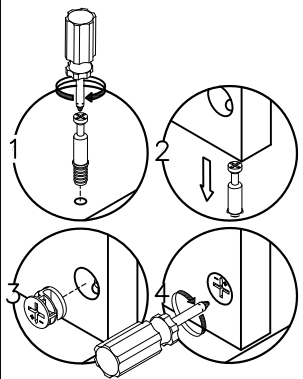


 (A)*8 背板扣 Back Panel Buckle	 (B)*20 层板托 Shelf support	 (C)*4 挂衣托16mm Clothes hanger	 (D)*2 过山丝M7*38mm Confirmat screw
 (E)*2 白色透气孔盖 Breathable cover	 (F)*34 自攻螺丝M3.5*12 Self-tapping screw	 (G)*1 (12" *35*26mm) 三节滚珠导轨 (12" *35*26mm) Three-section ball rail	 (H)*14 脚垫-灰色 Footrest - Grey
 (I)*51 二合一螺杆 2-in-1-screw	 (J)*51 大三合一锁饼 Three-in-one large lock	 (K)*4 柱头内六角螺杆M5*25 Hexagon socket head screw	 (L)*8 自攻螺丝M3.5*16 Self-tapping screw
 (M)*1 内六角扳手(5mm) Hexagon wrench	 (N)*21 木榫- $\varnothing$ 8*30 Wood tenon	 (O)*4 小三合一锁饼 3-in-1 small lock	 (P)*4 小二合一杆 2-in-1 small rod
 (Q)*4 自攻螺丝M4*40mm Tapping screw	 (R)*4 塑料螺母 Plastic Nut	 (S)*1 挂衣杆763*30*15 Clothes hanging rod	 (T)*1 挂衣杆366*30*15 Clothes hanging rod
 (U)*4 门框上滑轮 Upper pulley of door frame	 (V)*4 门框下滑轮 Lower pulley of door frame	 (W)*1 铝型材-上轨道 Aluminum profile - upper rail	 (X)*1 铝型材-下轨道 Aluminum profile - lower rail
 (Y)*4 粘贴式防撞胶条 Adhesive anti-collision adhesive strip	 (Z)*4 移门定位器	 (A)*1 内六角扳手(1.5mm) Hexagon wrench	

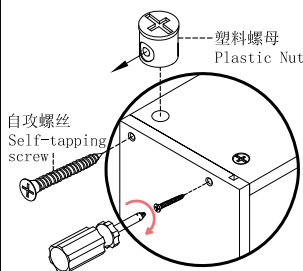
编号NO.	名称Name	规格Specification	数量QTY	材质Material
①	顶板 Top board	1591*598*15mm	1	三胺板 Melamine
②	底板 Bottom board	1559*595*15mm	1	三胺板 Melamine
③	左侧板 Side board(L)	2103*596*15mm	1	三胺板 Melamine
④	右侧板 Side board(R)	2103*596*15mm	1	三胺板 Melamine
⑤	中侧板 Middle side board	2030*484*15mm	1	三胺板 Melamine
⑥	长脚条 Long foot slat	1559*58*15mm	2	三胺板 Melamine
⑦	中脚条 Middle foot strip	550*58*15mm	1	三胺板 Melamine
⑧	左活动层板 Movable shelf(L)	771*480*15mm	2	三胺板 Melamine
⑨	右层板 Shelf(R)	771*480*15mm	1	三胺板 Melamine
⑩	中隔板 Middle clapboard	1613*480*15mm	1	三胺板 Melamine
⑪	右活动层板 Movable shelf(R)	381*480*15mm	2	三胺板 Melamine
⑫	边背拉条 Side back brace	2030*140*15mm	2	三胺板 Melamine
⑬	背拉条 Back brace	2030*140*15mm	1	三胺板 Melamine
⑭	背板 Back board	2040*581*5mm	2	三胺板 Melamine
⑮	抽屉面板 Drawer panel	378*190*15mm	1	三胺板 Melamine
⑯	抽屉左侧板 Drawer's side board(L)	34*142*12mm	1	三胺板 Melamine
⑰	抽屉右侧板 Drawer's side board(R)	340*142*12mm	1	三胺板 Melamine
⑱	抽屉后板 Back board of drawer	332*142*12mm	1	三胺板 Melamine
⑲	抽屉底板 Drawer Bottom panel	342*336*5mm	1	三胺板 Melamine
⑳	趟门板 Door plank	2000*784*35mm	2	三胺板+铝 Melamine+Aluminium

CP5D-E

安装方法/Installation method



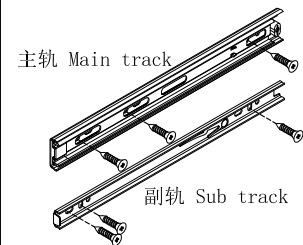
二合一 two-in-one



塑料螺母 Plastic Nut

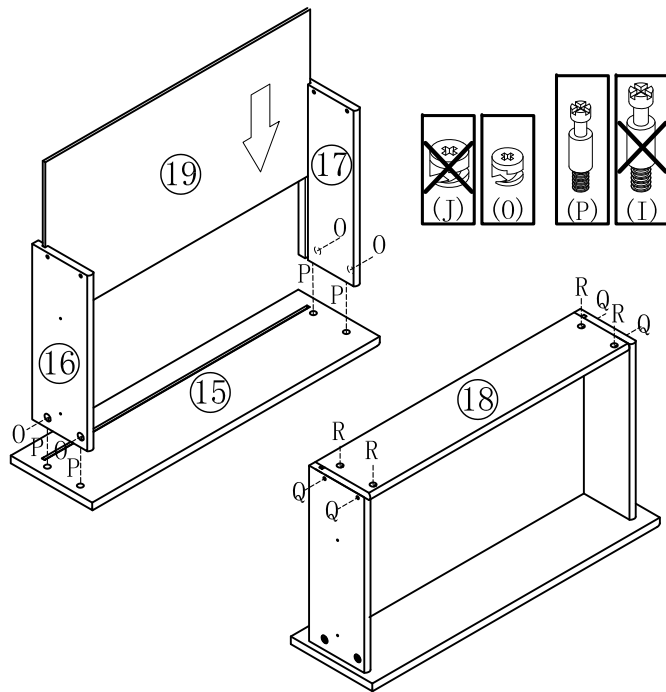
阀门开关(下压为开)  
Valve switch (press down to open)

前 Forward 后 Back



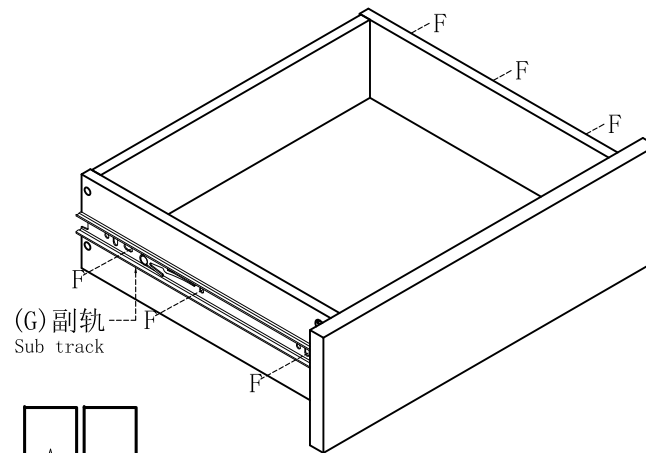
主轨 Main track  
副轨 Sub track  
三节滚珠导轨-12"  
Three-section rail

- (O)\*4
- (P)\*4
- (Q)\*4
- (R)\*4



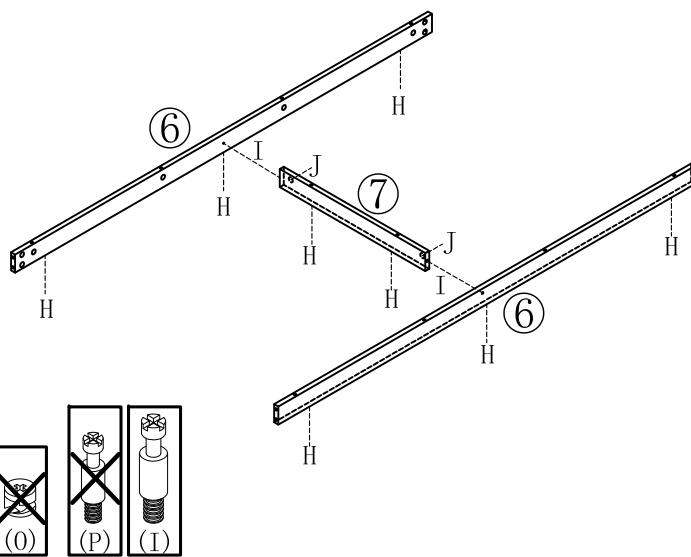
1

- (F)\*6
- (G)\*1



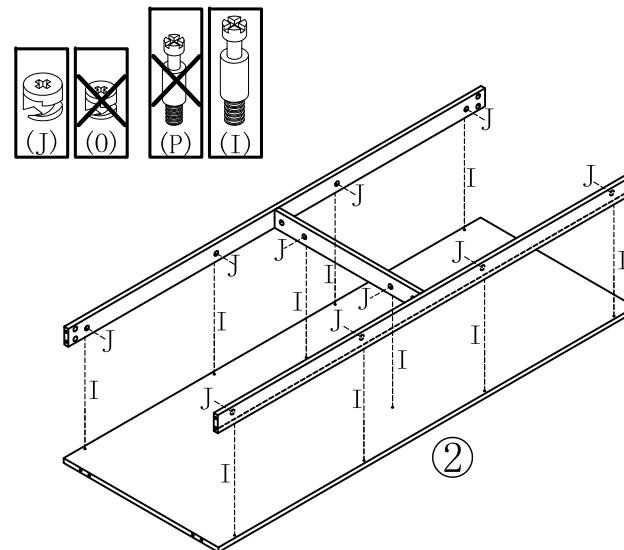
2

- (H)\*8
- (I)\*2
- (J)\*2



3

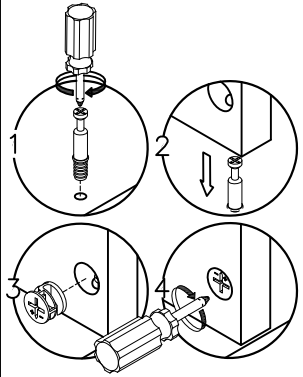
- (I)\*10
- (J)\*10



4

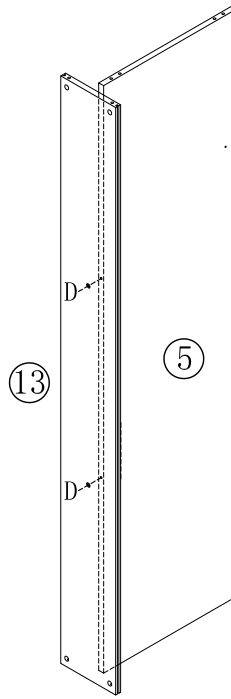
CP5D-E

安裝方法/Installation method



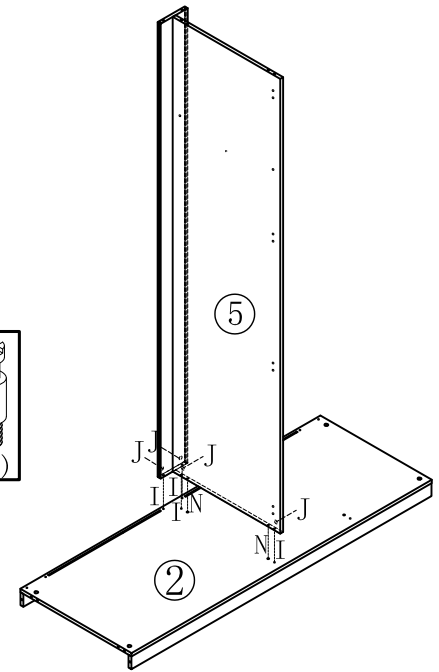
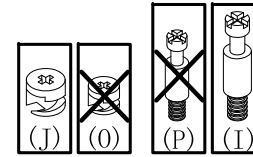
二合一 two-in-one

(D)\*2



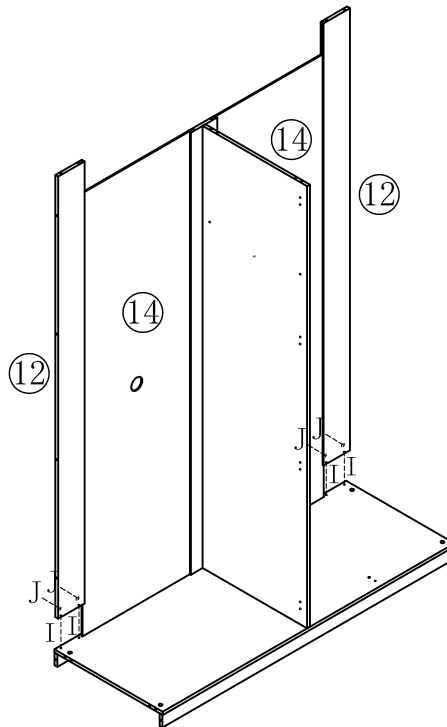
5

(I)\*4  
(J)\*4  
(N)\*2



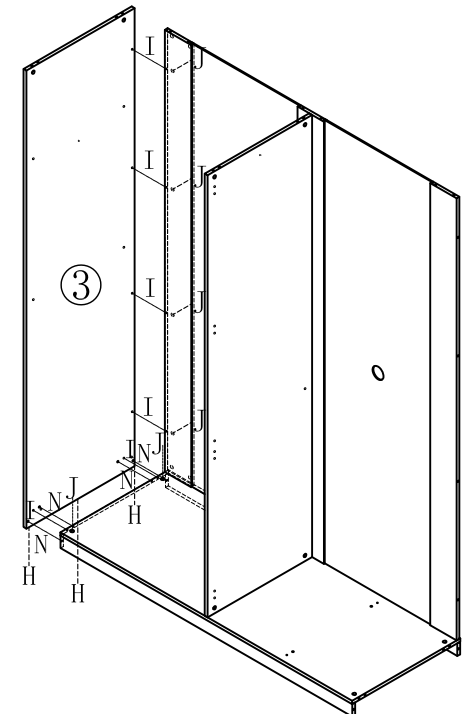
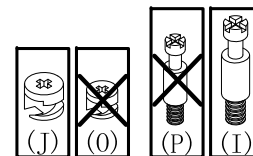
6

(I)\*4  
(J)\*4



7

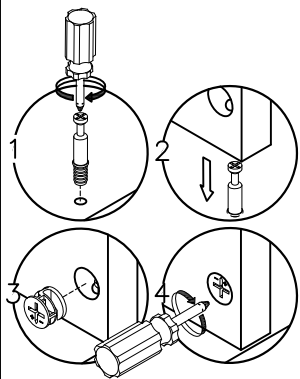
(H)\*3  
(I)\*6  
(J)\*6  
(N)\*4



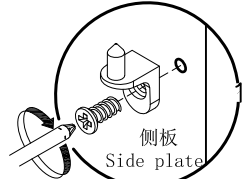
8

CP5D-E

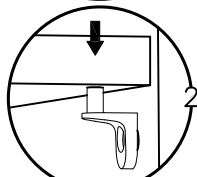
安装方法/Installation method



二合一 two-in-one

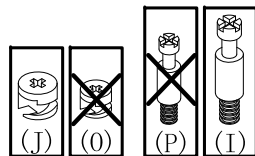
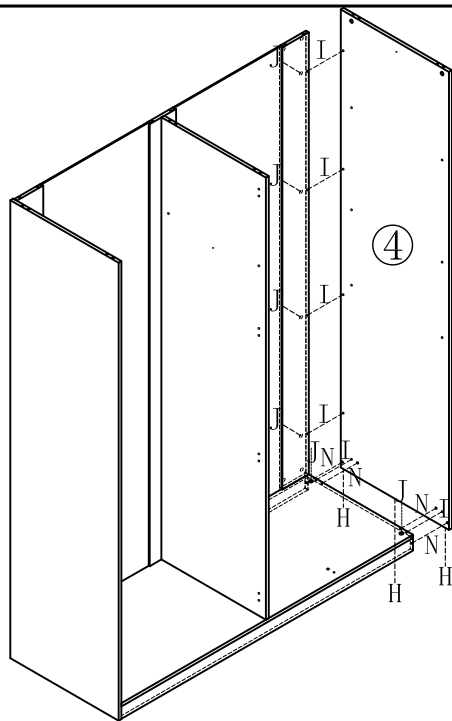


侧板 Side plate



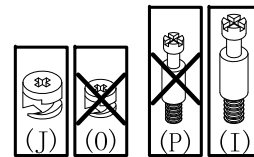
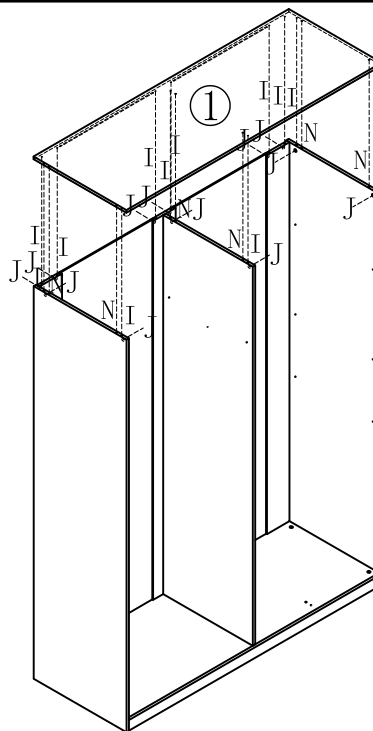
层板托5mm shelf support

- (H)\*3
- (I)\*6
- (J)\*6
- (N)\*4



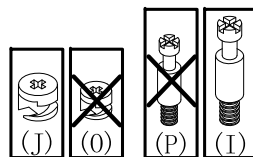
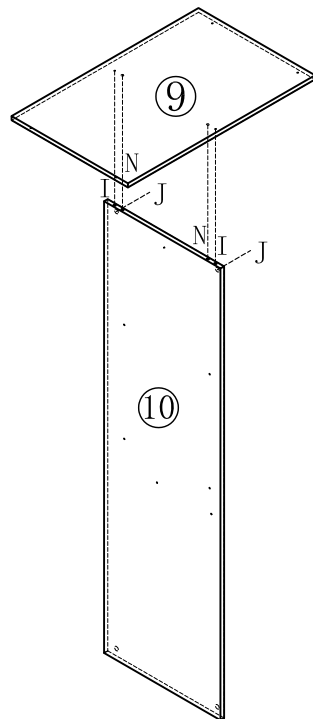
9

- (I)\*12
- (J)\*12
- (N)\*6



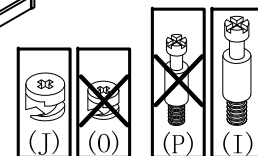
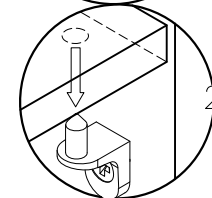
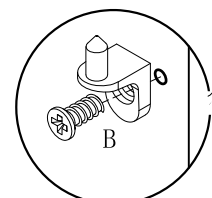
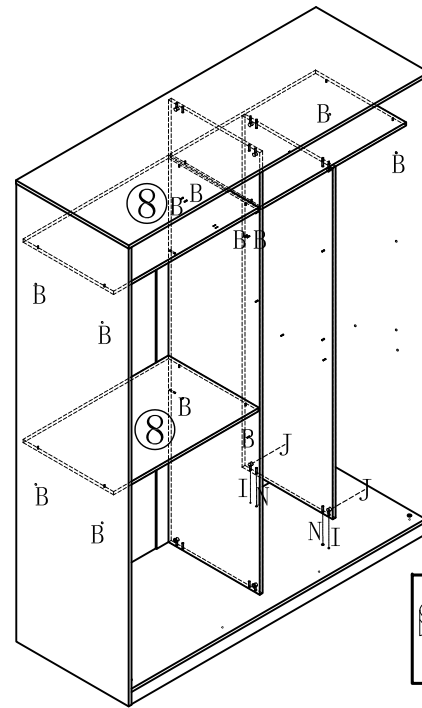
10

- (I)\*2
- (J)\*2
- (N)\*2



11

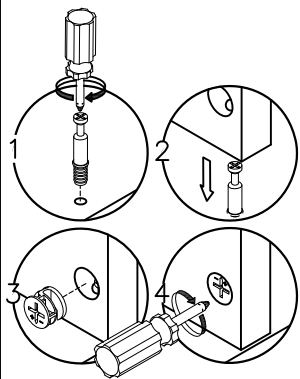
- (B)\*12
- (I)\*2
- (J)\*2
- (N)\*2



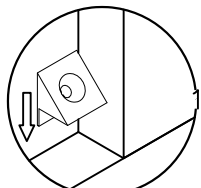
12

CP5D-E

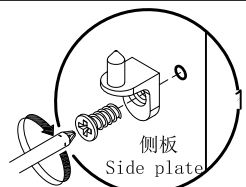
安装方法/Installation method



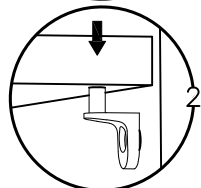
二合一 two-in-one



背板扣  
Back Plate Buckle

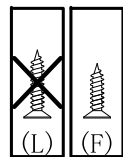
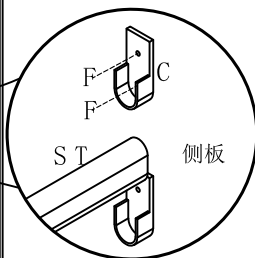
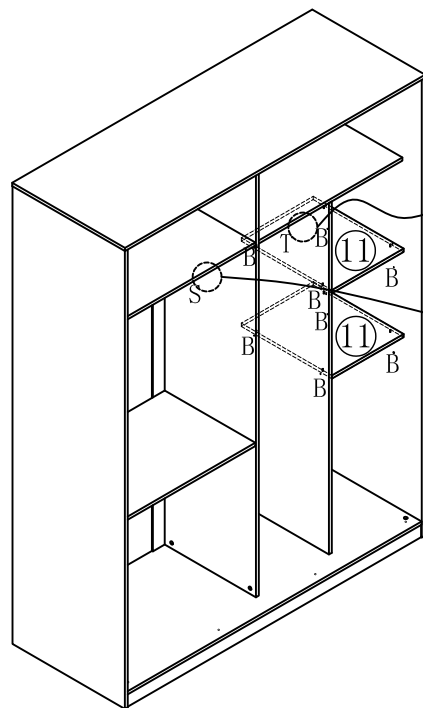


侧板  
Side plate



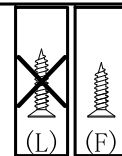
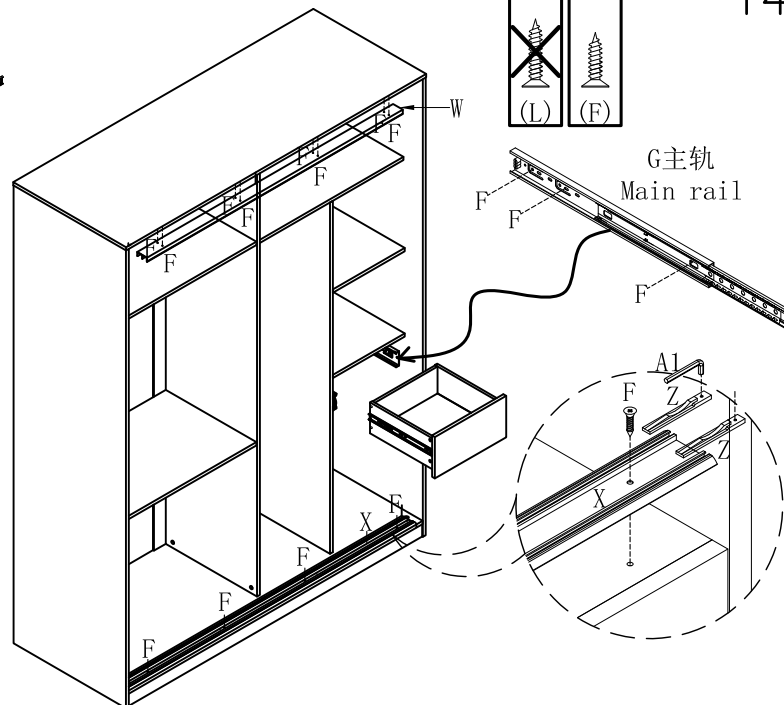
层板托5mm  
shelf support

- (B)\*8
- (C)\*4
- (F)\*8
- (S)\*1
- (T)\*2



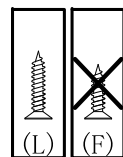
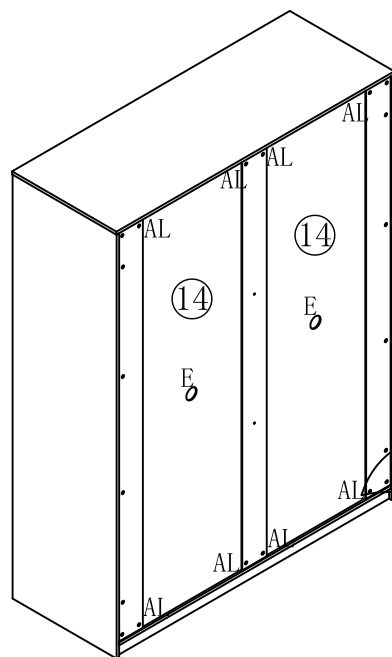
13

- (F)\*18
- (G)\*1
- (W)\*1
- (X)\*1
- (Z)\*4
- (A1)\*1



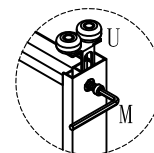
14

- (A)\*8
- (E)\*2
- (L)\*8

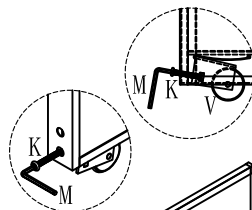
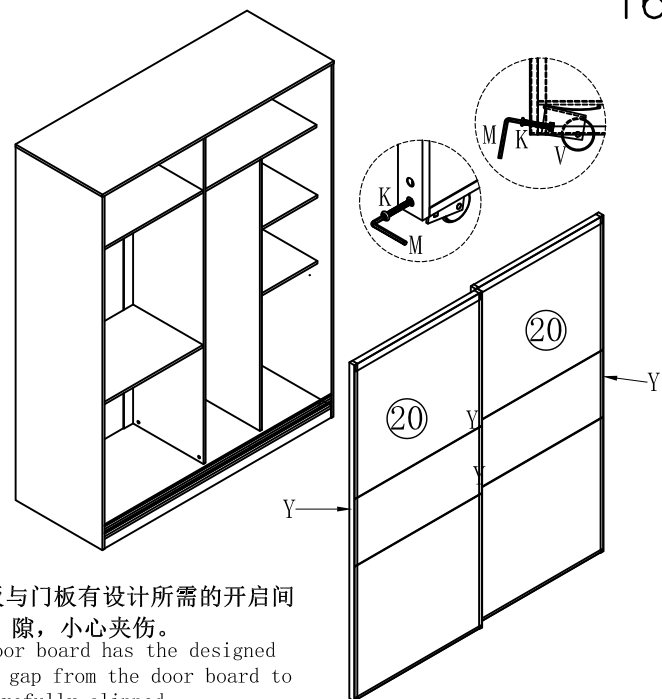


15

- (M)\*1
- (U)\*4
- (V)\*4
- (K)\*4
- (Y)\*4

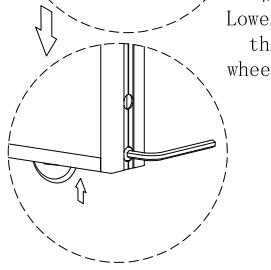
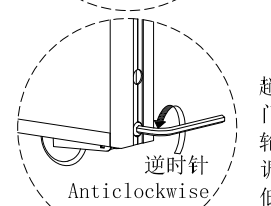
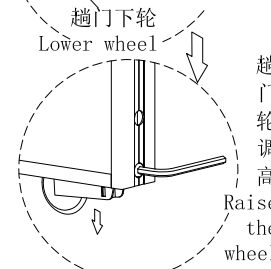
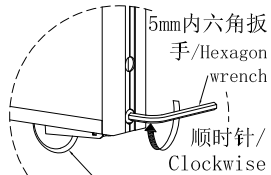


警告：门板与门板有设计所需的开启间隙，小心夹伤。  
Warning: the door board has the designed required opening gap from the door board to be carefully clipped.

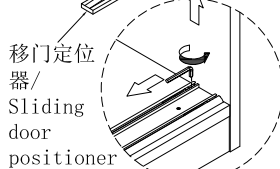


16

趟门/Door plank

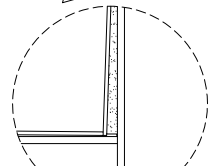
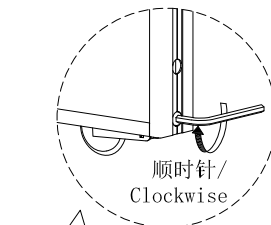
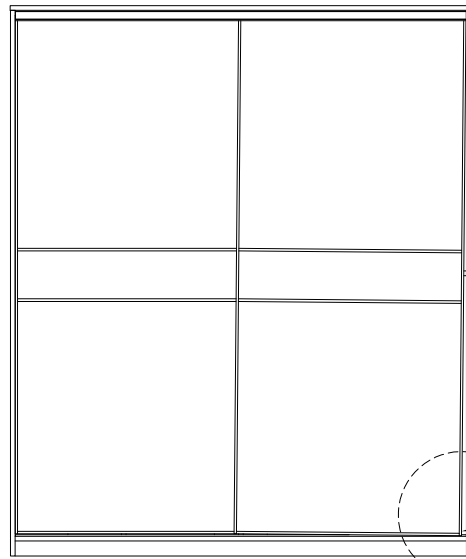


趟门下轮/Lower wheel

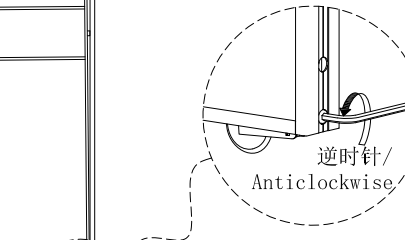
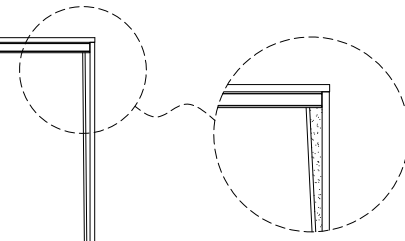
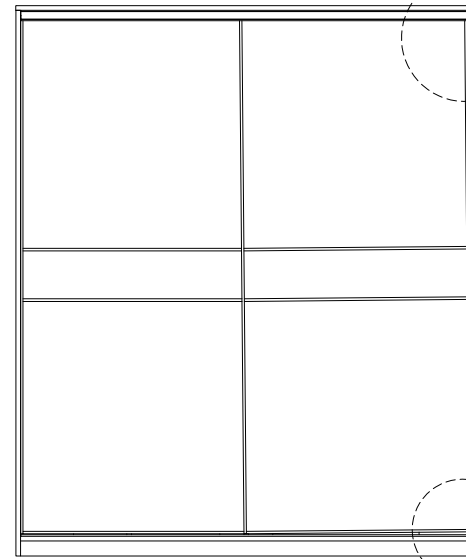


移门定位器/Sliding door positioner

情景一/Scene 1:

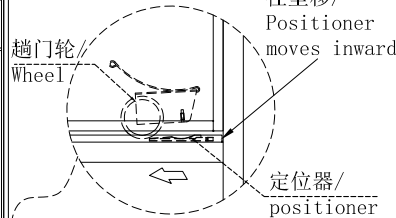
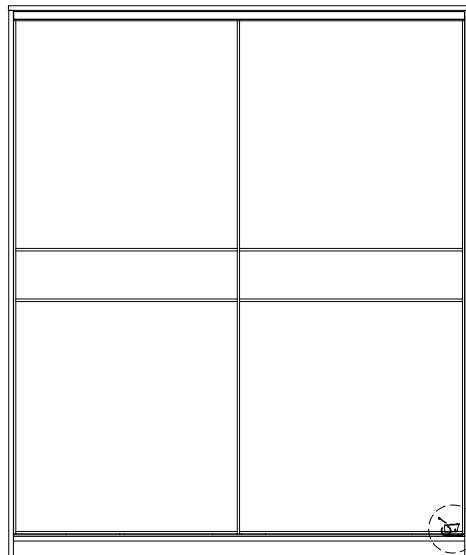


情景二/Scene 2:

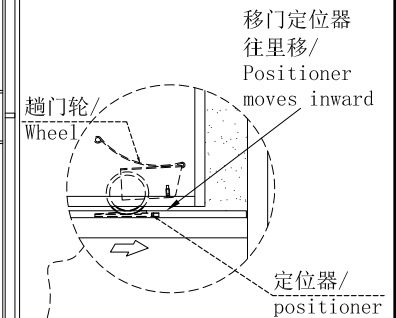
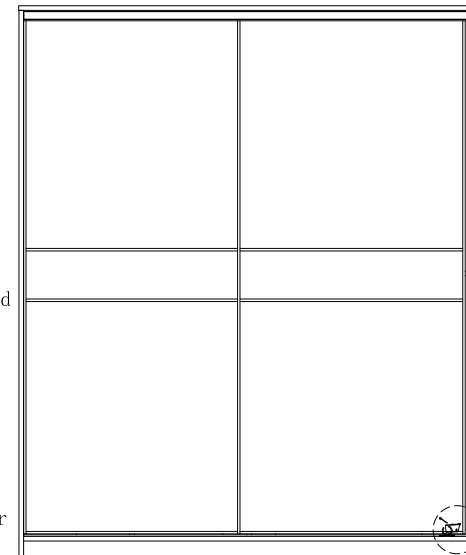


确保地板是平整的情况下, 如发生此两种情况可用5mm内六角扳手调节趟门下轮的松紧度, 从而调整左右两边趟门下轮的高度, 两边调整至适当高度即可。(Ensure the floor is flat, when these two cases happens, you can adjust the tightness of the lower wheels with a 5mm Hexagon wrench, so as to adjust the height of lower wheels on the left and right sides, and both sides adjusts to an appropriate height.)

情景三/Scene 3:



情景四/Scene 4:



在调节趟门轮后仍出现以上情况时, 可用1.5mm内六角扳手将移门定位器适当往里外调整至适当位置拧紧即可。(If the above conditions still occur after adjusting the wheel, the 1.5mm hexagon wrench can be used to properly adjust the sliding door positioner to an appropriate position and tighten it.)