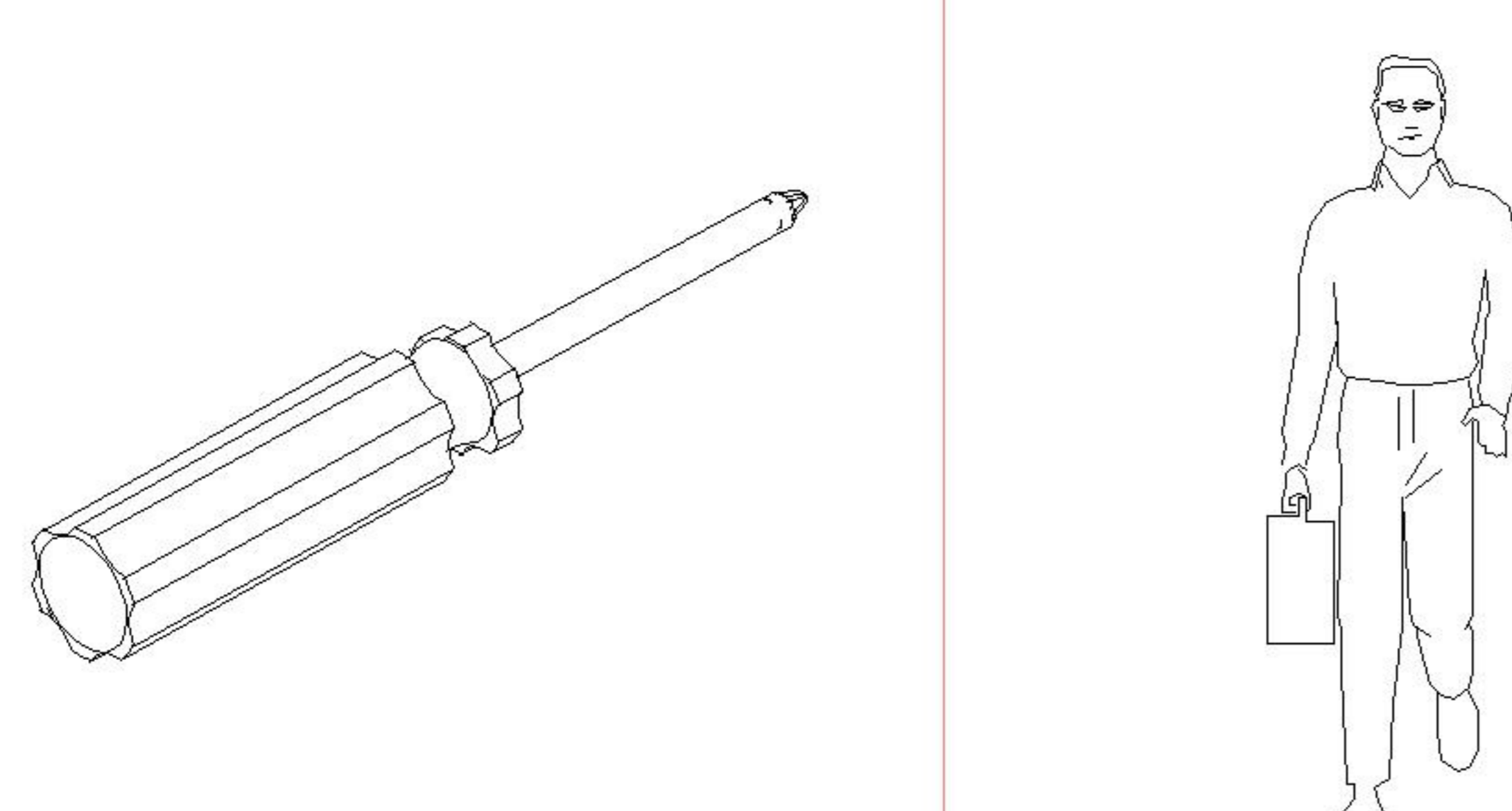
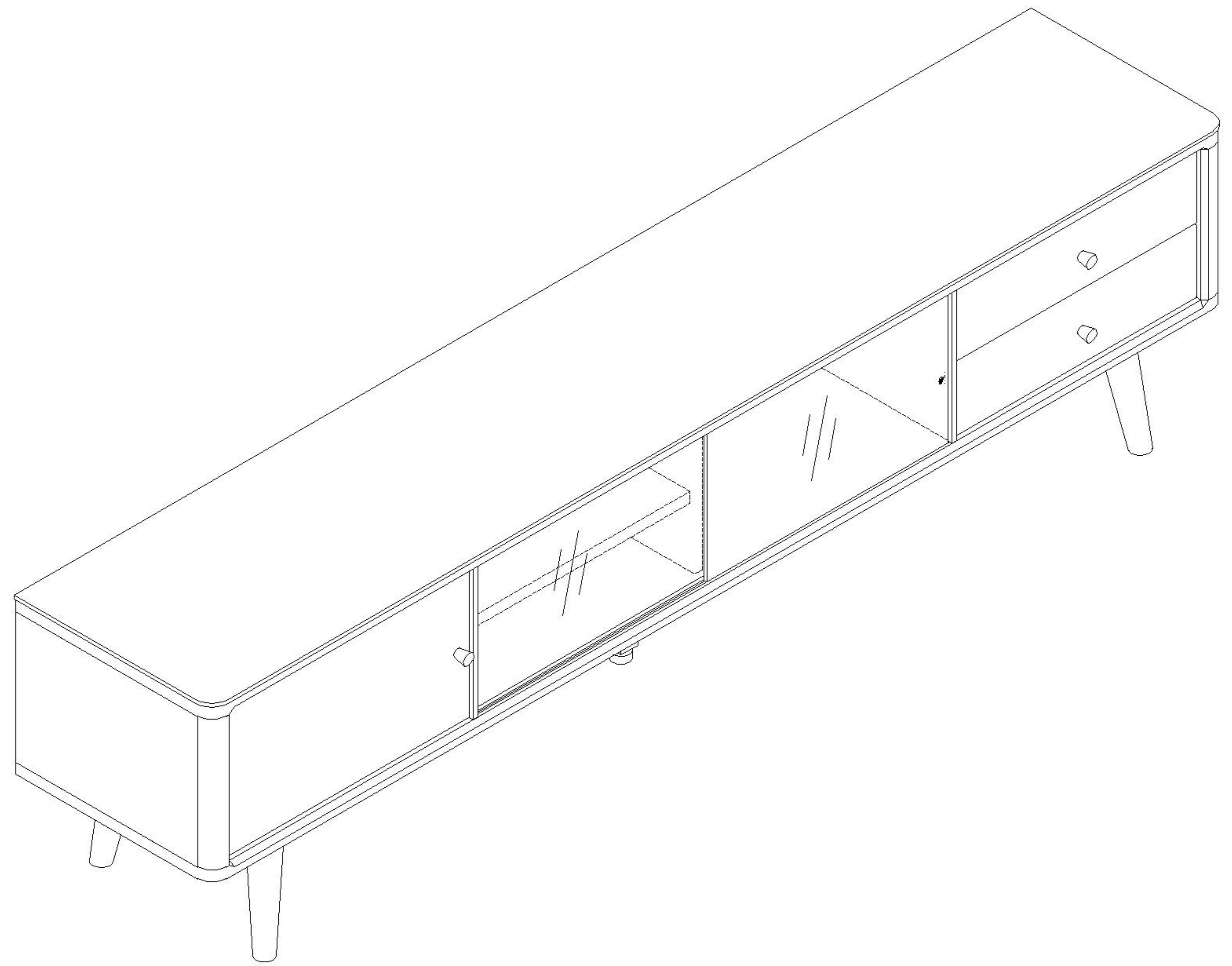


安装示意图/Assembly Instruction

产品名称 Model NO.	PK5M-A(1.8m)
产品规格 Specification	1800*359*460mm
安装工具 Tool	安装人数 Installer
	

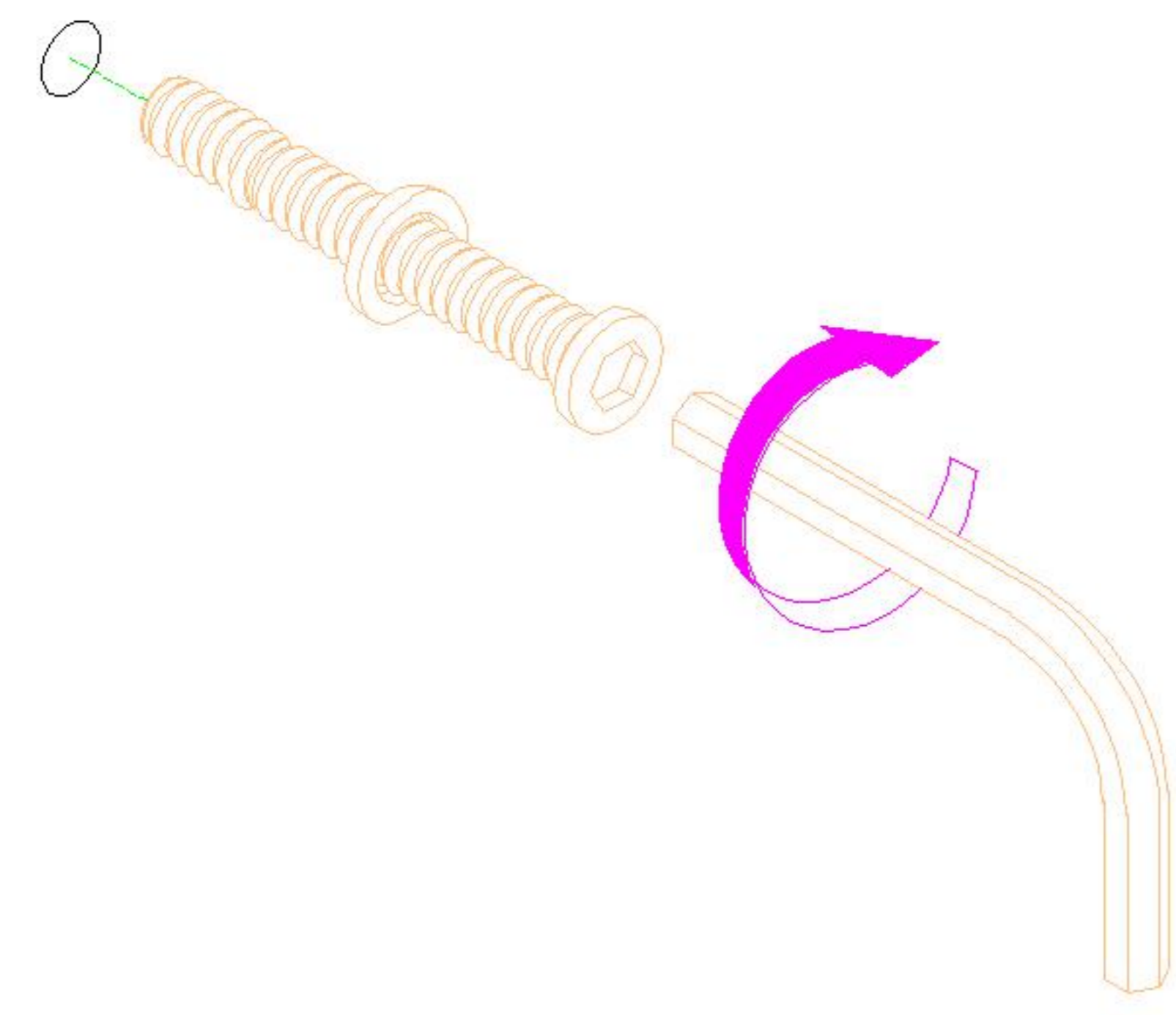
 (A)*1 内六角扳手4mm Hexagon wrench	 (B)*8 斜边内六角M6*60 Bevel hexagon screw	 (C)* 2 拉手螺丝-M1x35mm pulling screw	 (D)*4 透明防滑PVC胶塞 Rubber stopper
 (E)*1 调节五金脚 Adjustable foot	 (F)*1 全牙螺杆M8*40 Full thread screw	 (G)* 3 圆拉手 Round handle	 (H)*8 透明圆形防滑垫 Nonslip plastic pad
 (I)* 8 垫片-M6 Shim-M6	 (J)* 8 透明防撞垫Ø10x1.5 Transparent crash pad	 (K)* 1 拉手螺丝-M1x25mm pulling screw	

编号NO.	名称Name	规格 (mm) Specification	数量 QTY	材质Material
①	整装柜子Packaged cabinet	1796*348*309	1	实木 Wood
1-1	面板Top panel	1796*348*20	1	实木 Wood
1-2	底板Bottom board	1796*348*18	1	实木 Wood
1-3	左侧板组立Side board assembly(L)	231*348*38	1	实木 Wood
1-4	右侧板组立Side board assembly(R)	231*348*38	1	实木 Wood
1-5	左中侧板Middle side board(L)	231*331*18	1	实木 Wood
1-6	中侧板Middle side board	231*304*18	1	实木 Wood
1-7	右中侧板Middle side board(R)	231*331*18	1	实木 Wood
1-8	后拉条Back brace	1750*35*18	2	实木 Wood
1-9	背板Back board	1778*227*8	1	实木 Wood
1-10	层板Shelf	410*296*18	1	实木 Wood
1-11	左门板Door board(L)	428*225*20	1	实木 Wood
1-12	抽屉面板Drawer's top panel	428*111*20	2	实木 Wood
1-13	抽屉内盒Inner box of drawer	396*260*78	2	实木 Wood
1-14	立水组框Apron frame	1506*244*40	1	实木 Wood
②	脚Foot	180*72*50	4	实木 Wood
③	中脚Middle foot	165*30*30	1	实木 Wood
④	趟门板Door plank	427*237*5	2	玻璃 Glass
⑤	岩板Sintered Stone	1800*350*6	1	岩板Sintered Stone

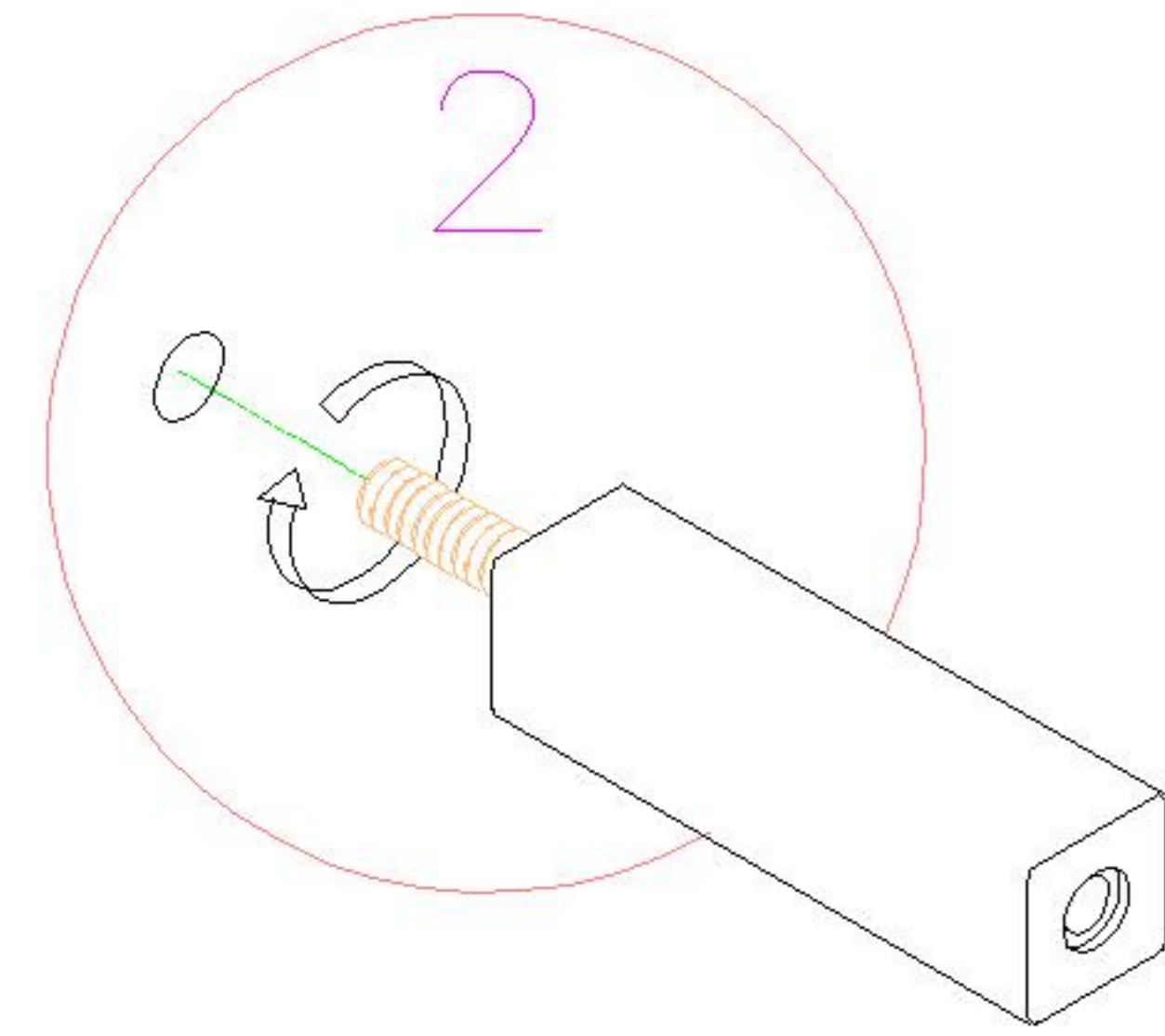
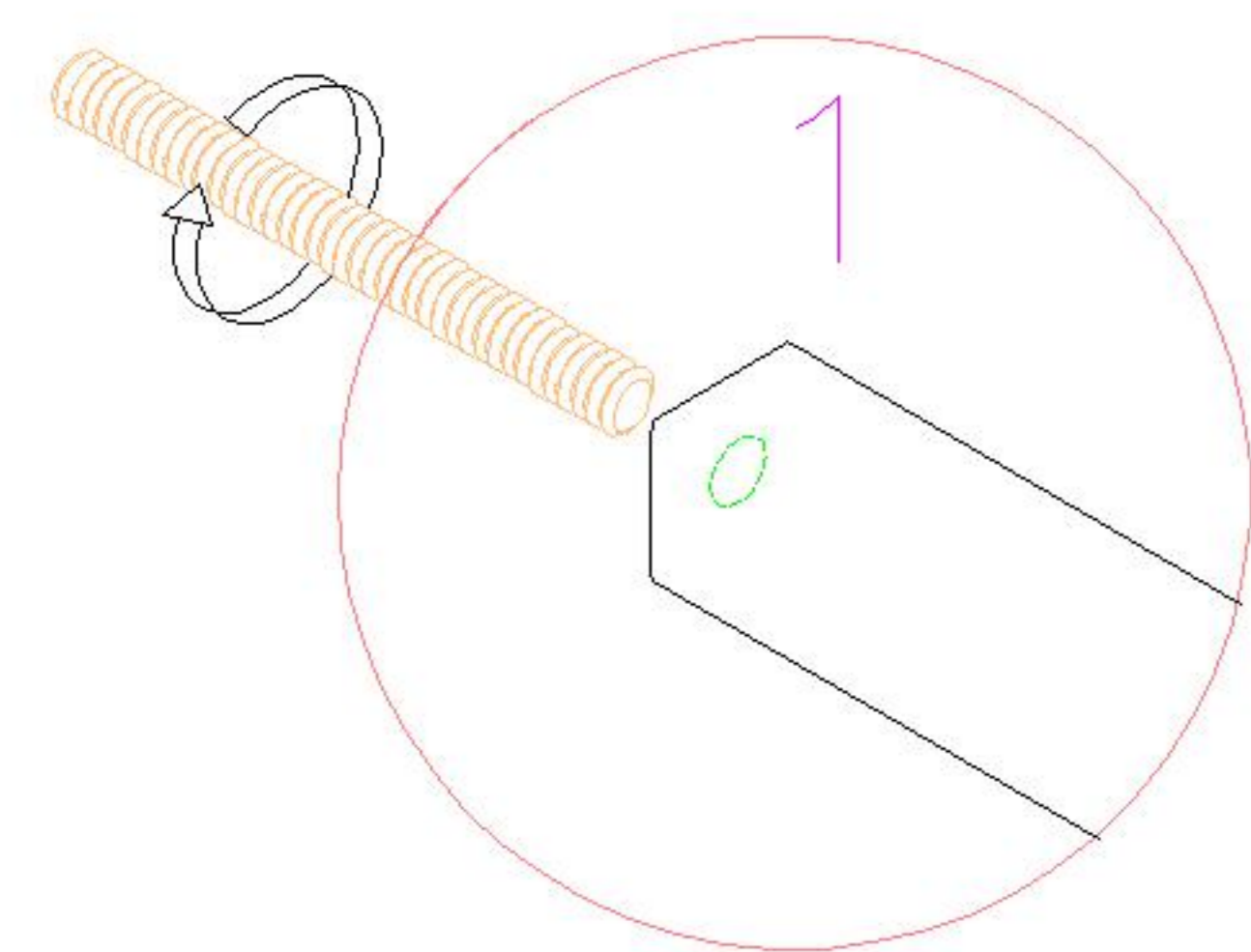


PK5M-A (1.8m)

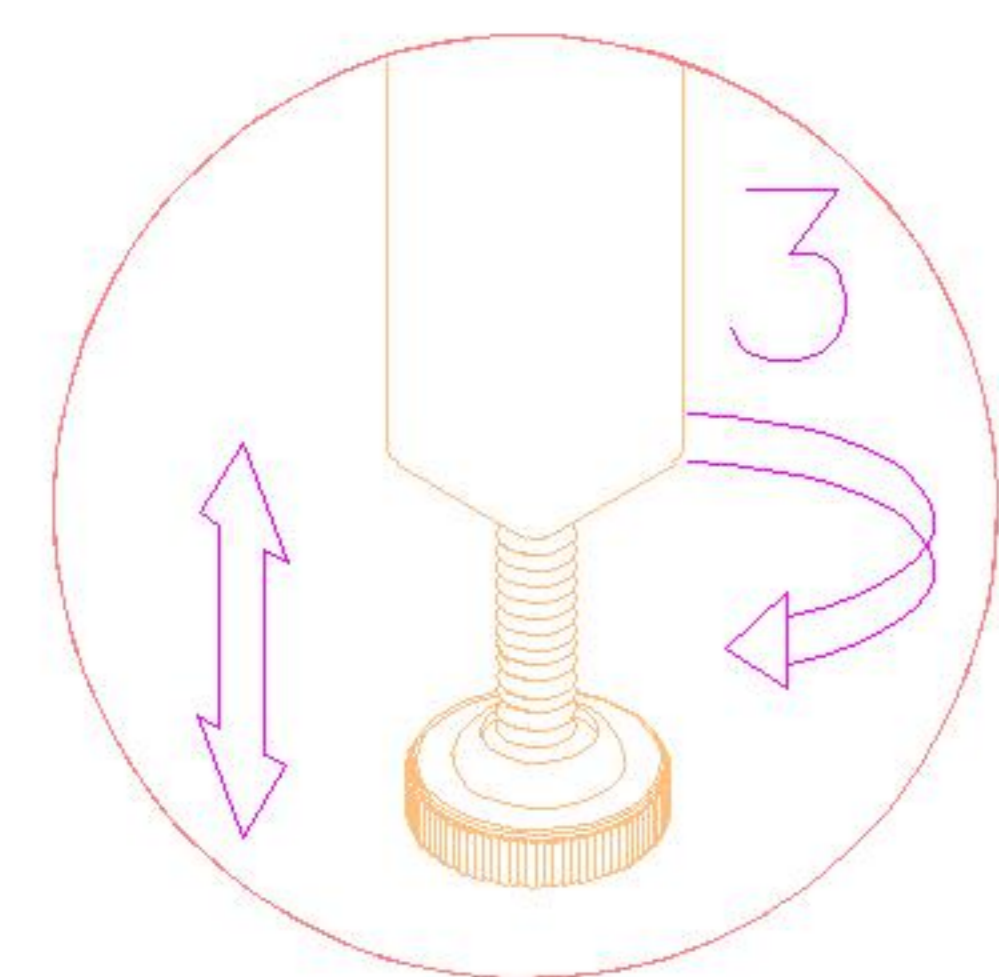
安装方法/
Installation method



斜边内六角 Bevel hexagon

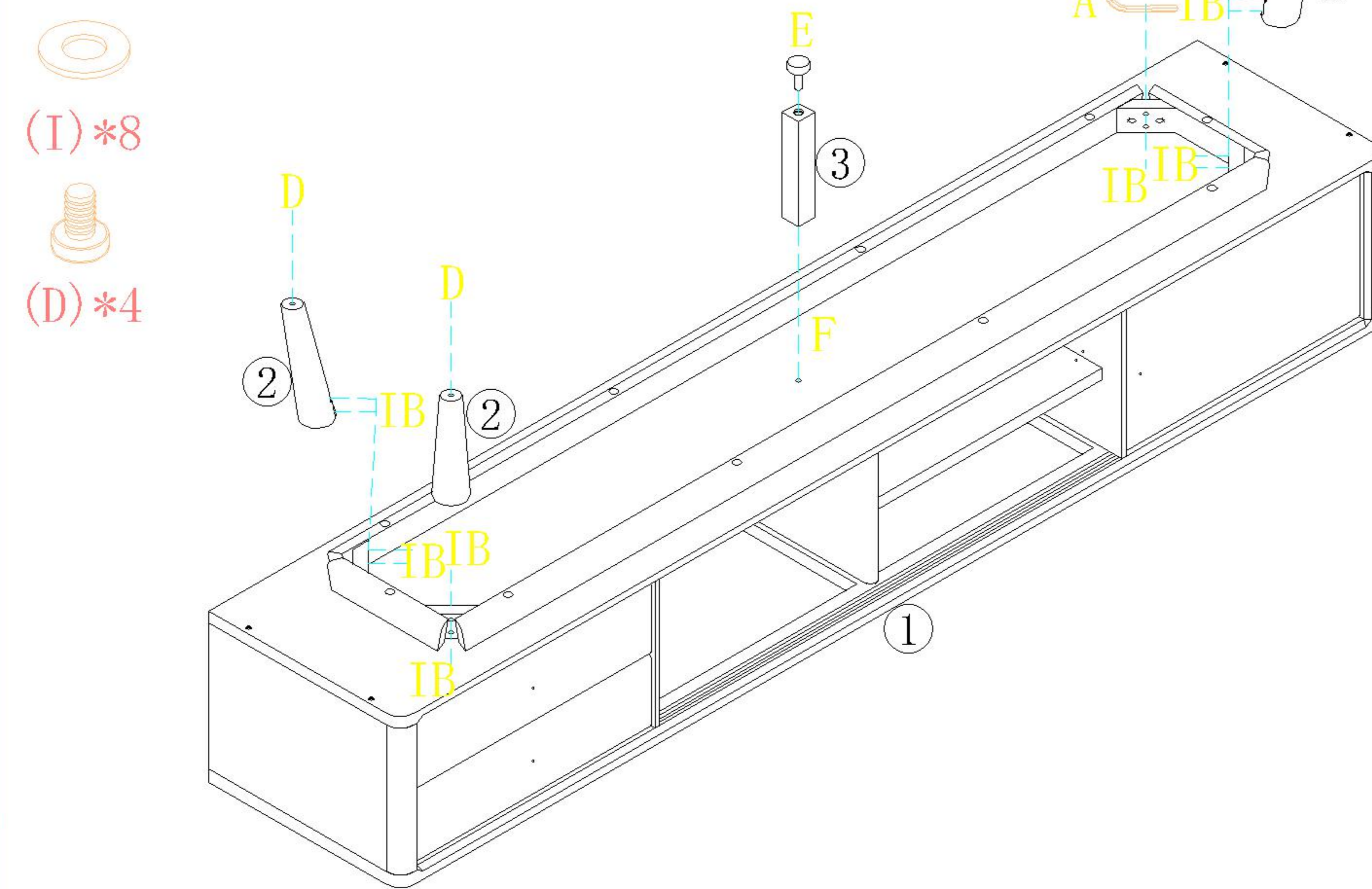


全牙螺杆/Threaded roller screw

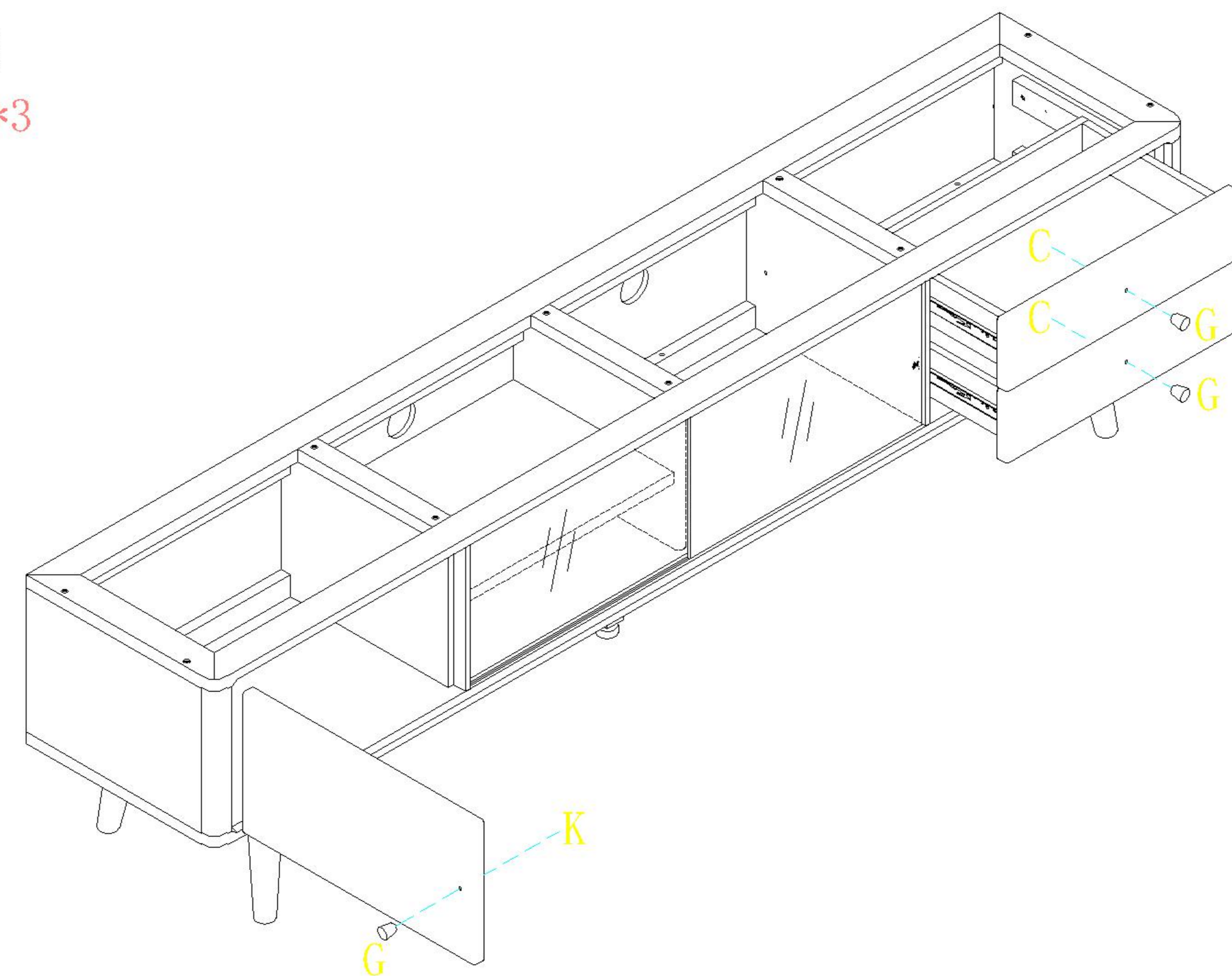


调节脚/Adjusting foot

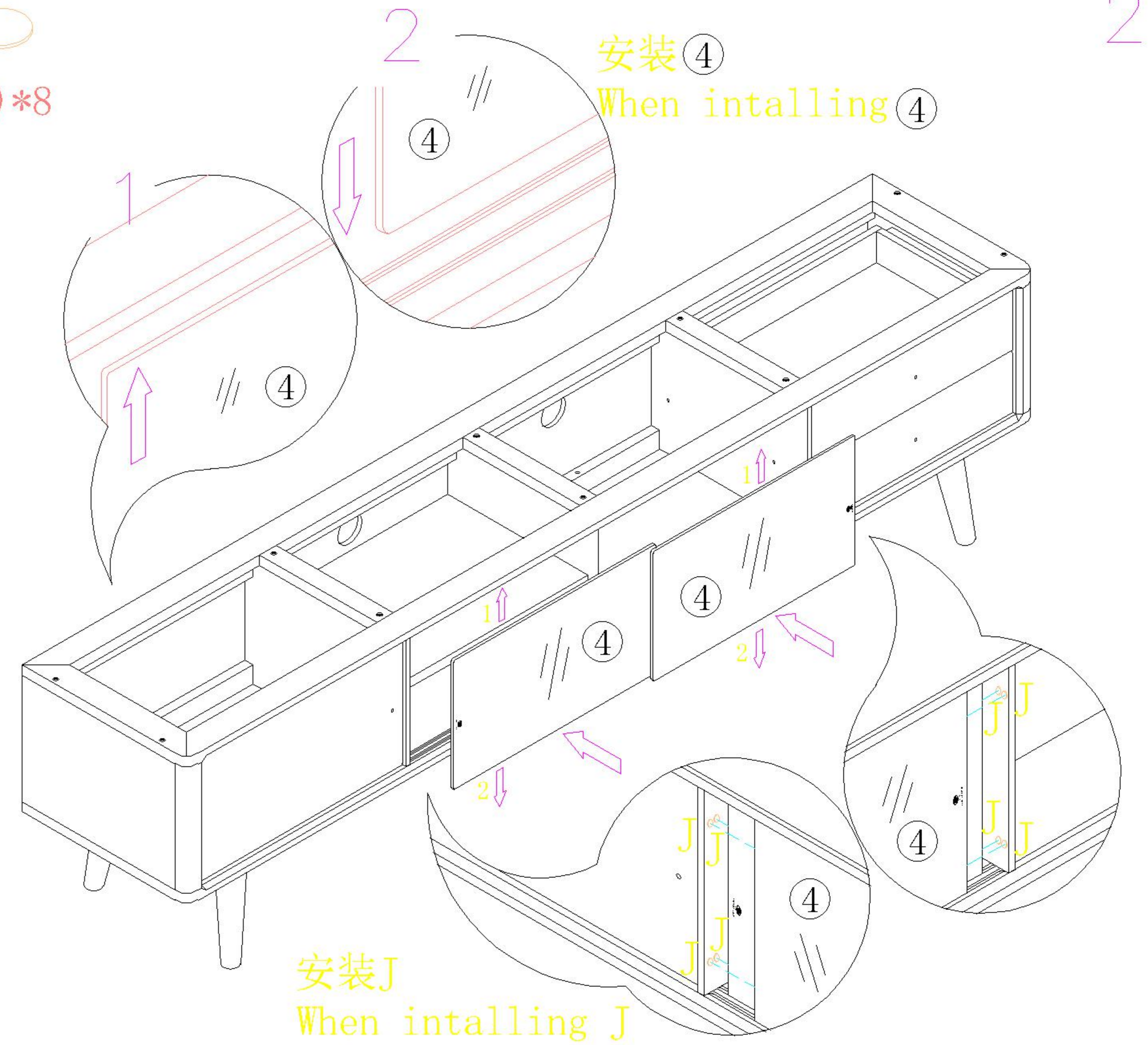
- (A)*1 (E)*1
- (B)*8 (F)*1
- (I)*8
- (D)*4



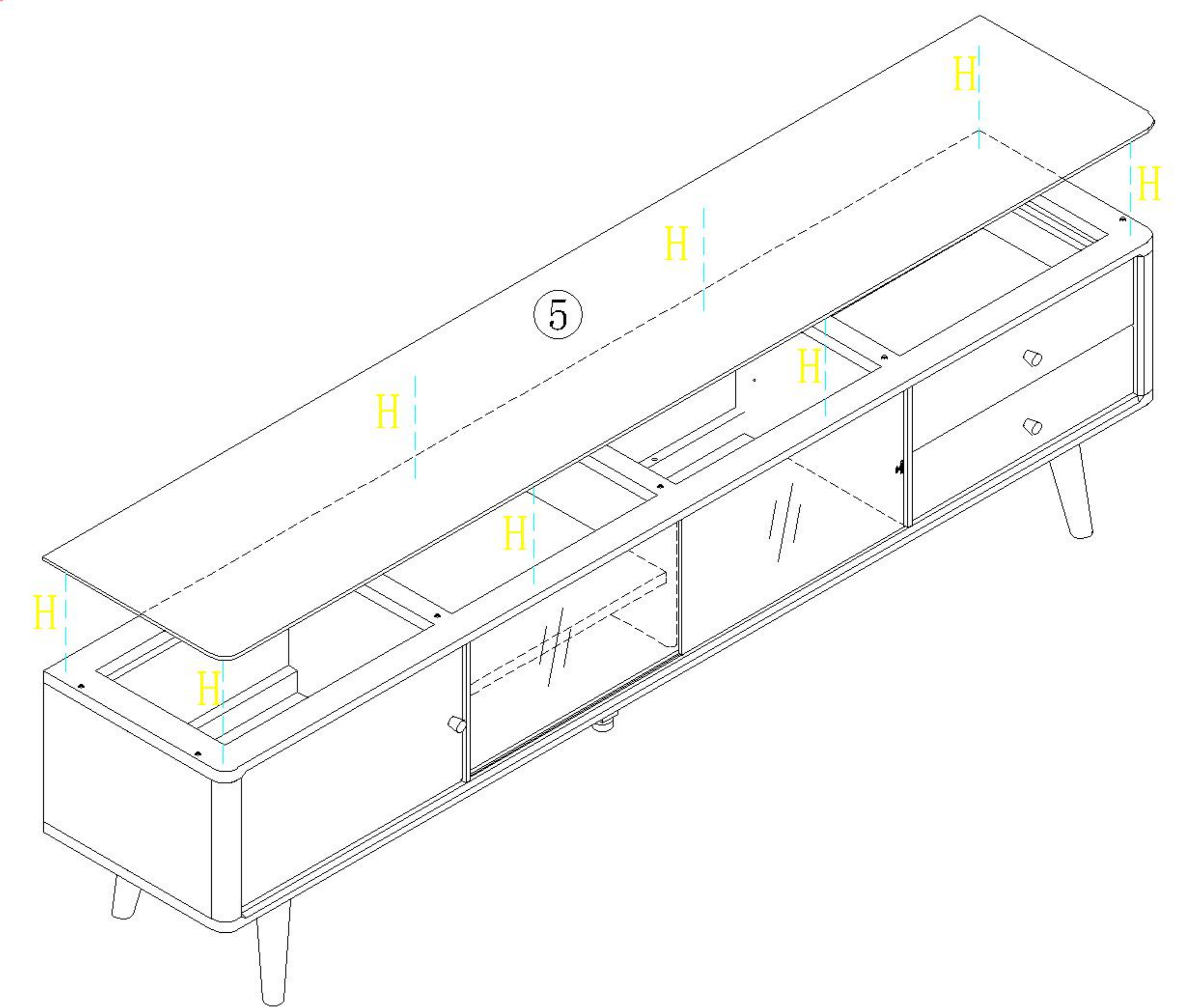
- (C)*2 (K)*1
- (G)*3



- (J)*8



- (H)*8



PK5M-A (1.8m)

分解图/Exploded view

温馨提示：部件1-10可以左右互换安装

Tips: parts 1-10 can be interchanged Left and right

