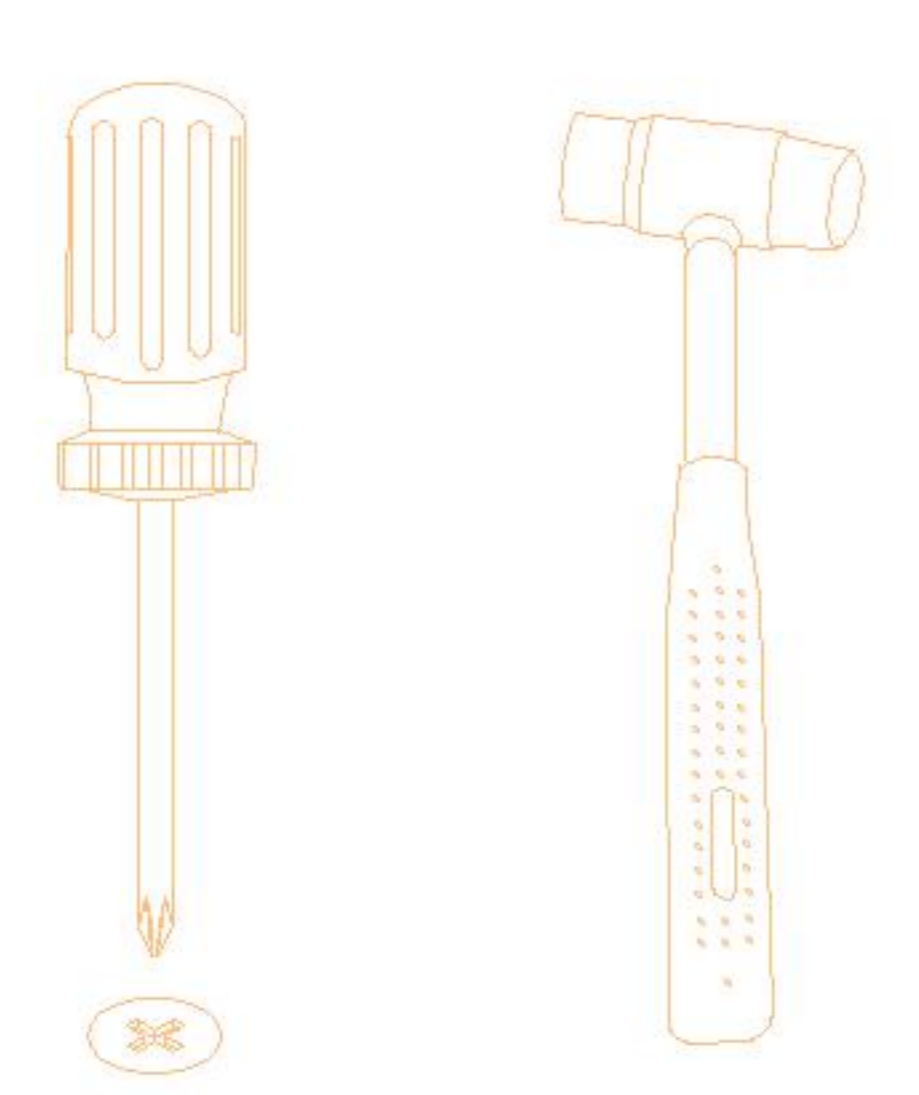
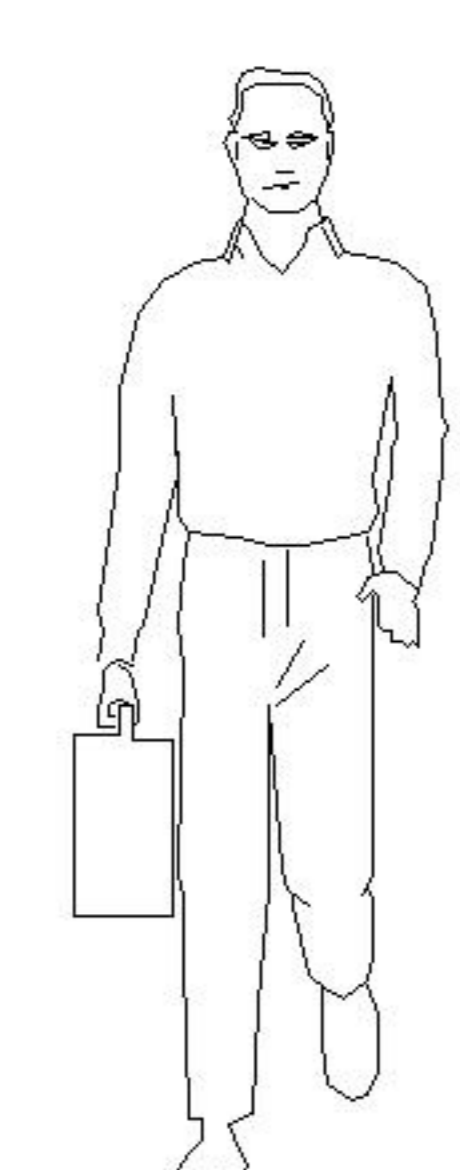

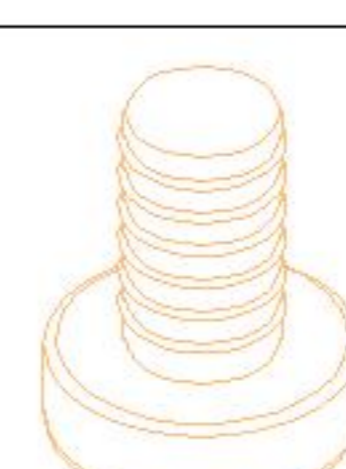
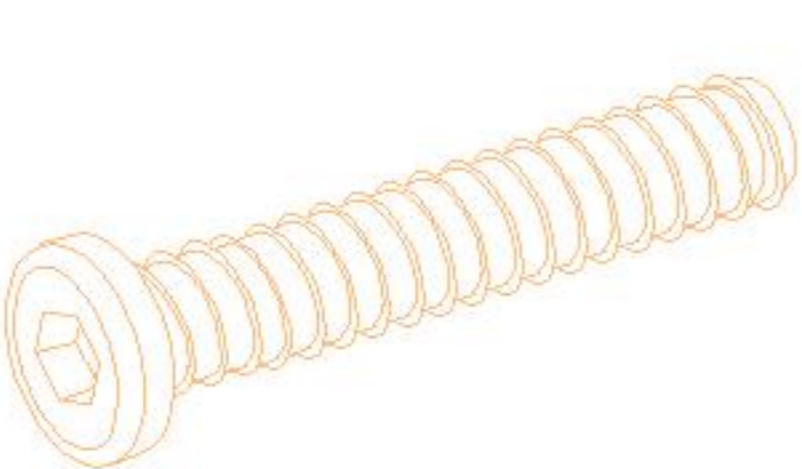




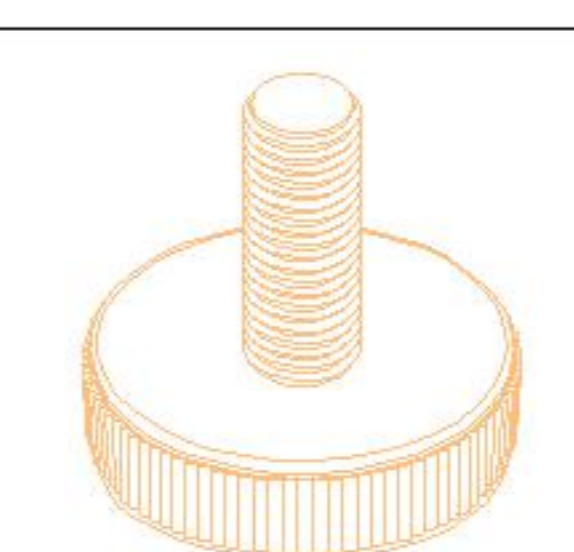


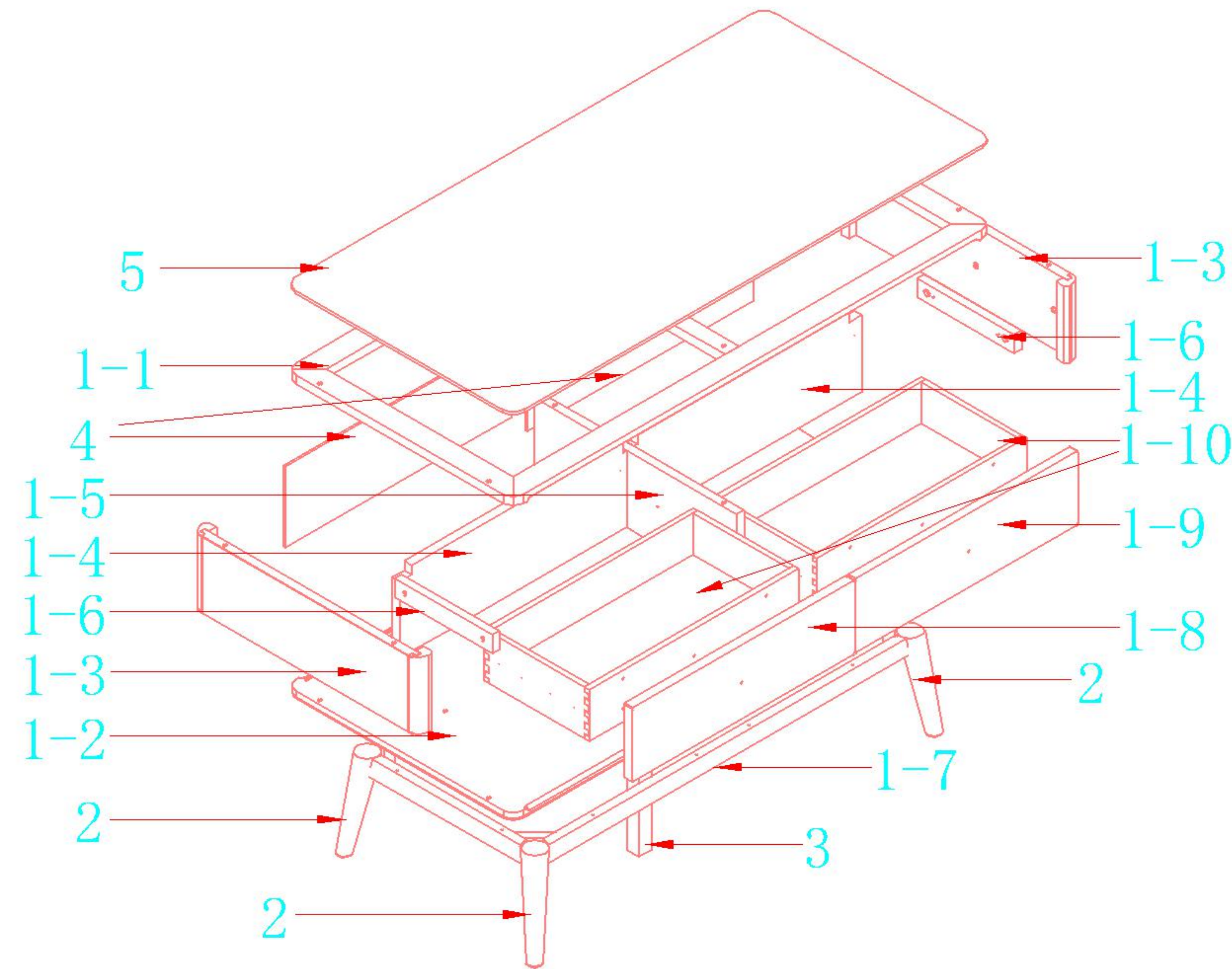
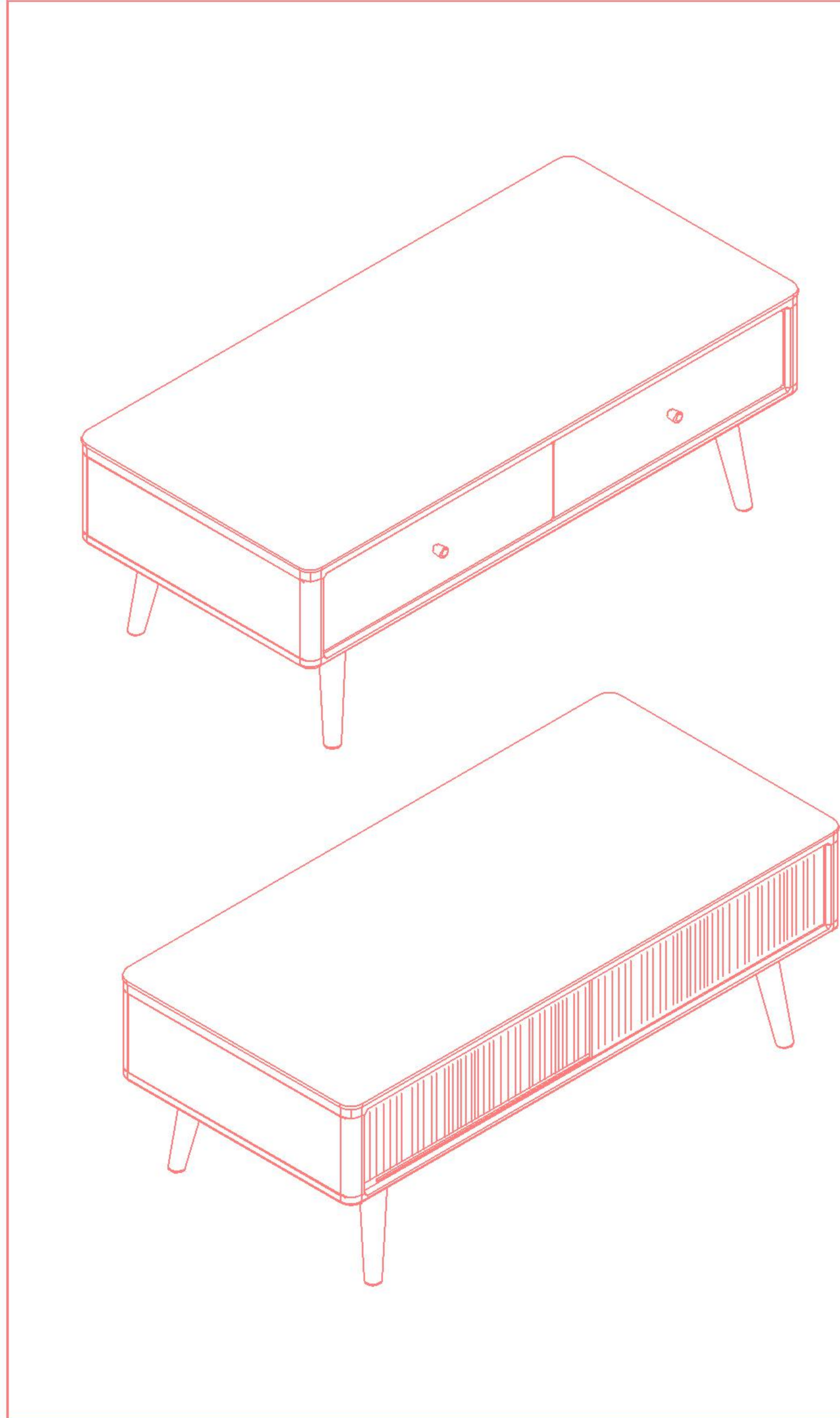


### 安装示意图/Assembly Instruction

产品名称 Model NO.	PK5L-A
产品规格 Specification	1182*575*433mm
安装工具 Tool	安装人数 Installer
	

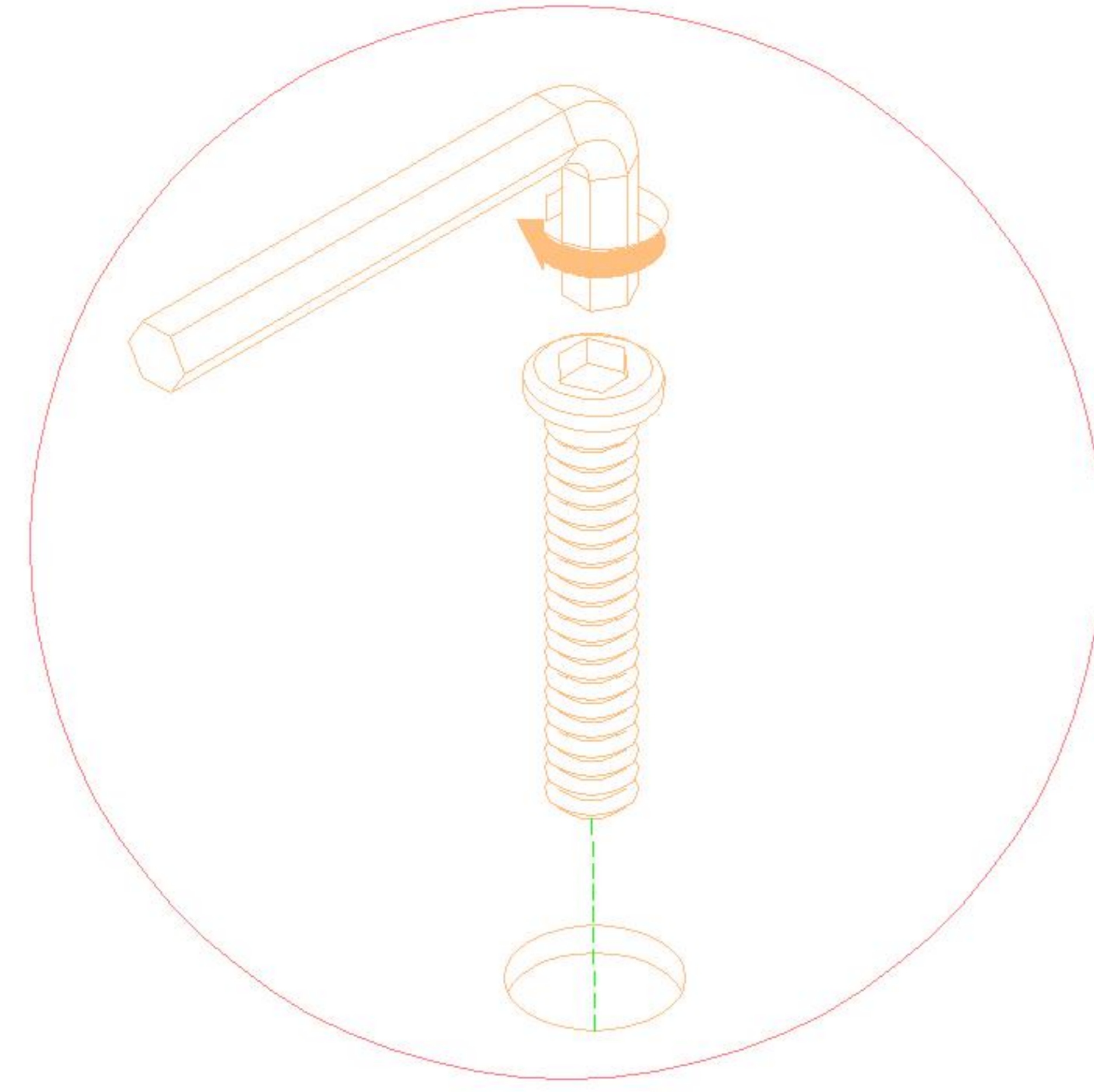
 (A)*1 内六角扳手4mm Hexagon wrench	 (B)*4 透明防滑PVC脚垫 Rubber stopper	 (C)*8 斜边内六角螺杆-M6x50 Beveled hexagon socket head screw	 (D)*8 垫片-M6 Shim
 (E)*1 全牙螺杆-(M8*10mm) Full thread screw	 (F)*2 拉手螺丝-M1x10mm Pulling screw	 (G)*6 透明圆形玻璃防滑垫 Non-slip plastic pad	 (H)*1 调节五金脚 Adjustable hardware foot
 (I)*2 拉手-圆拉手 handle	 (J)* 8 透明防撞垫Ø10x1.5 Transparent crash pad		

编号NO.	名称Name	规格 Specification	数量QTY	材质Material
1	整装柜子 Packaged cabinet	1178*560*242mm	1	实木 Wood
1-1	面板组立 Top panel	1178*560*20mm	1	实木 Wood
1-2	底板 Bottom board	1178*560*18mm	1	实木 Wood
1-3	侧板 Side board	560*164*38mm	2	实木 Wood
1-4	中隔板 Middle clapboard	560*184*18mm	2	实木 Wood
1-5	中侧板 Middle side board	500*164*18mm	1	实木 Wood
1-6	导轨垫条 Rail cushion strip	240*40*18mm	2	实木 Wood
1-7	立水组框 Apron frame	950*436*40mm	1	实木 Wood
1-8	左抽屉面板 Drawer's top panel (L)	548*158*20mm	1	实木 Wood
1-9	右抽屉面板 Drawer's top panel (R)	548*158*20mm	1	实木 Wood
1-10	抽屉内盒 Drawer inner box	516*260*110mm	2	实木 Wood
2	脚 Foot	232*50*50mm	4	实木 Wood
3	中脚 Middle foot	205*30*30mm	1	实木 Wood
4	玻璃门板 Door	555*172*5mm	2	玻璃 Glass
5	面板 Top panel	1182*564*6mm	1	岩板 Sintered Stone

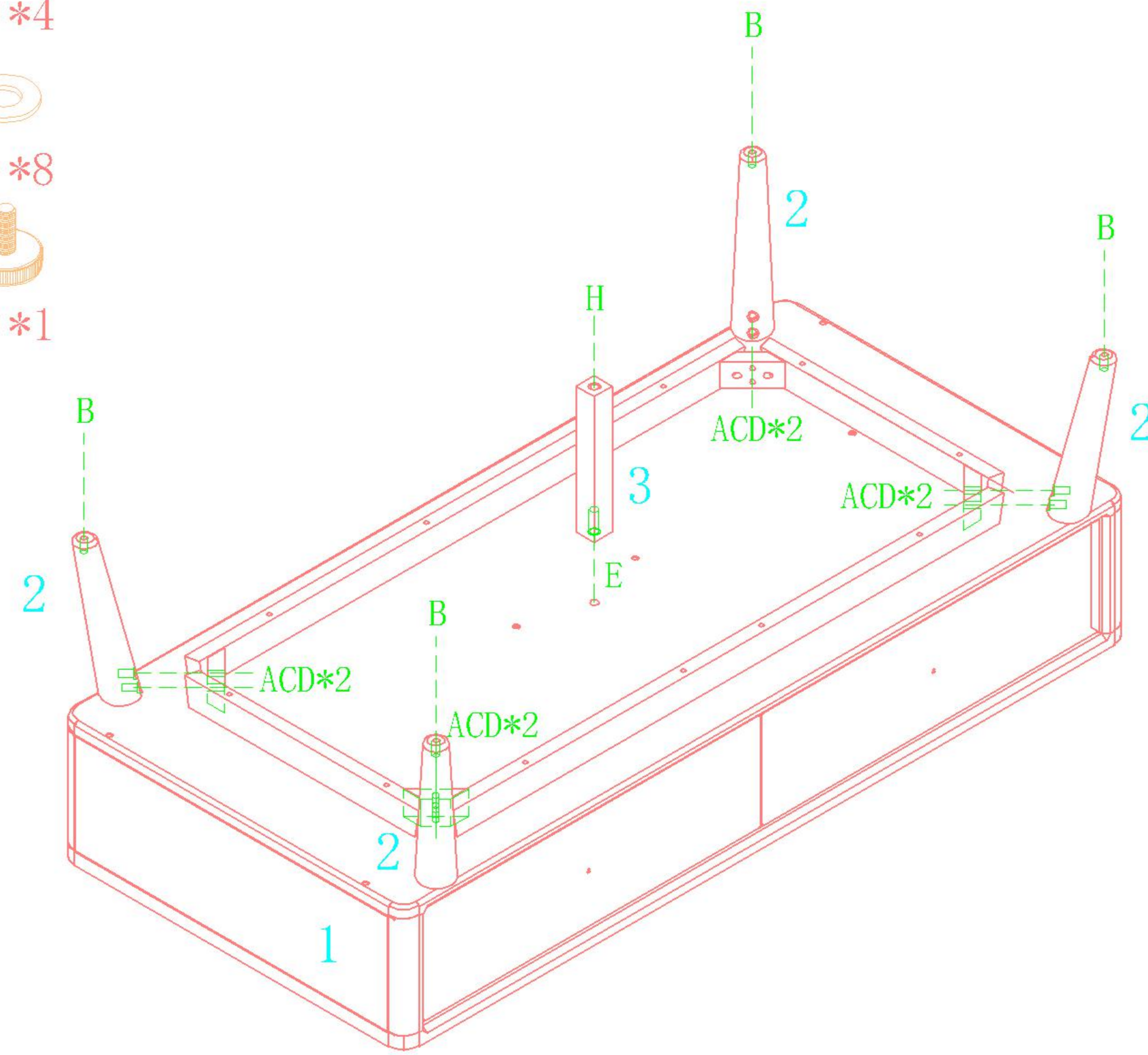


PK5L-A

安装方法/  
Installation method

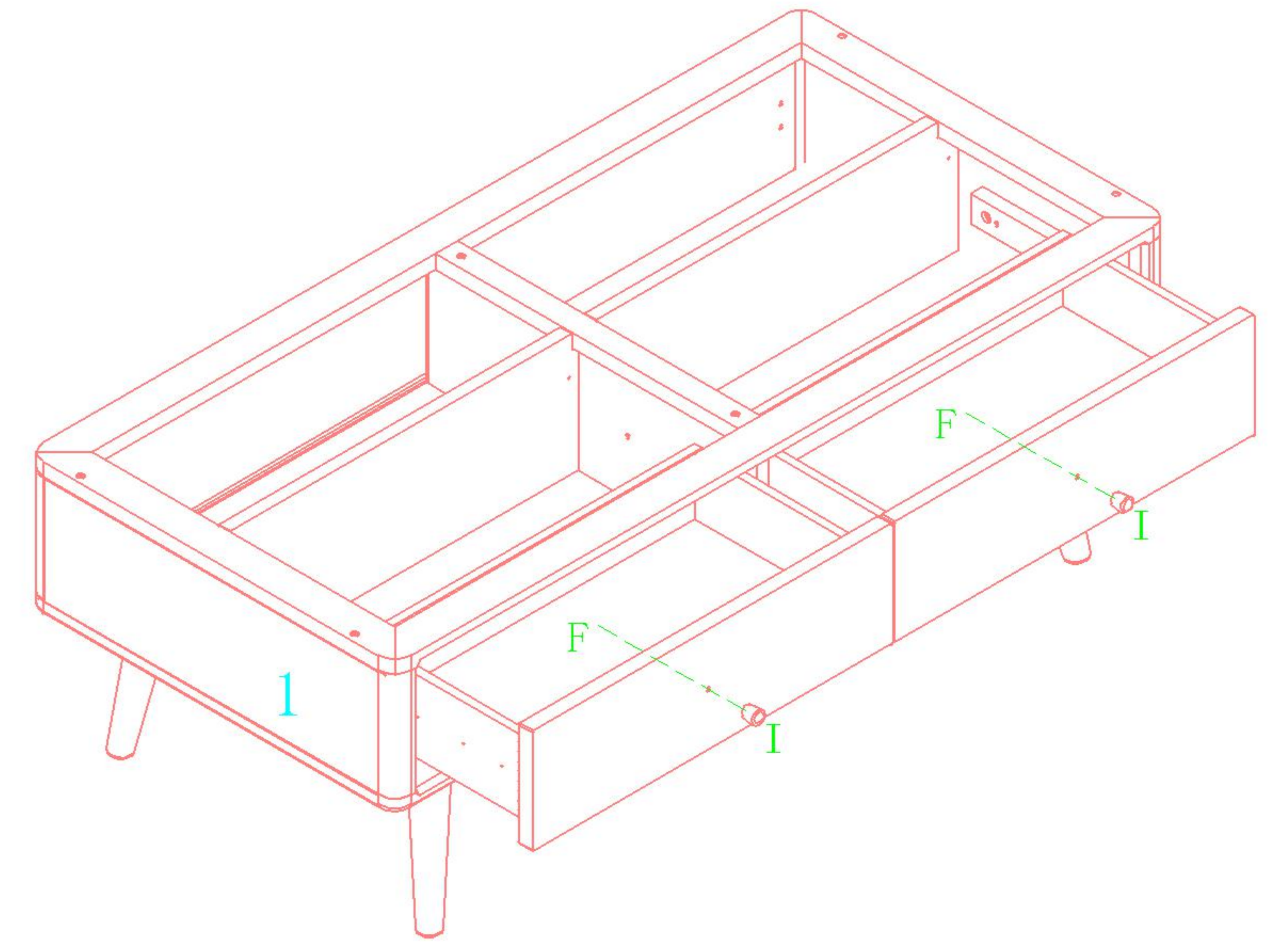


- (A)\*1 (B)\*4
- (C)\*8 (D)\*8
- (E)\*1 (H)\*1



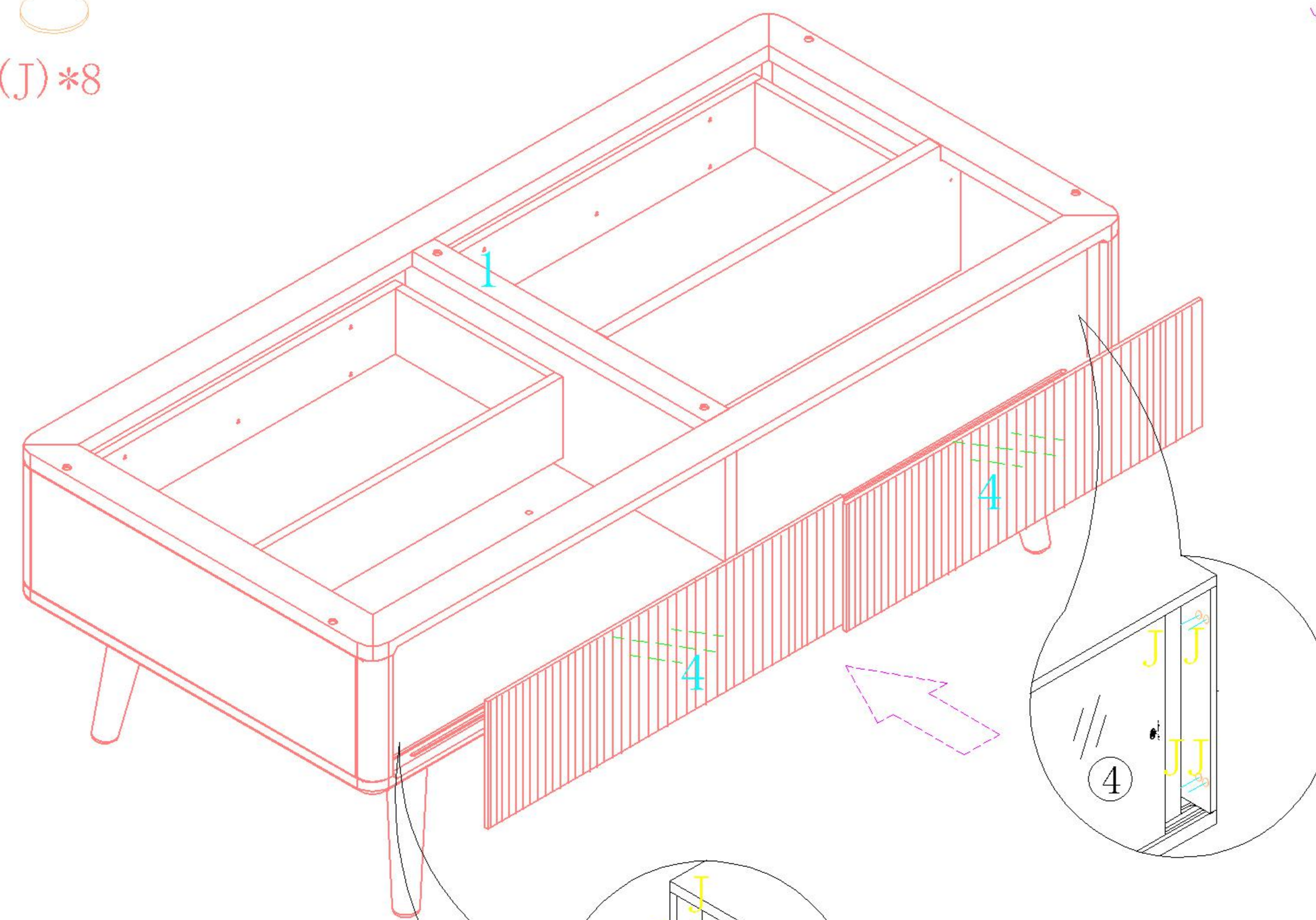
1

- (F)\*2
- (I)\*2



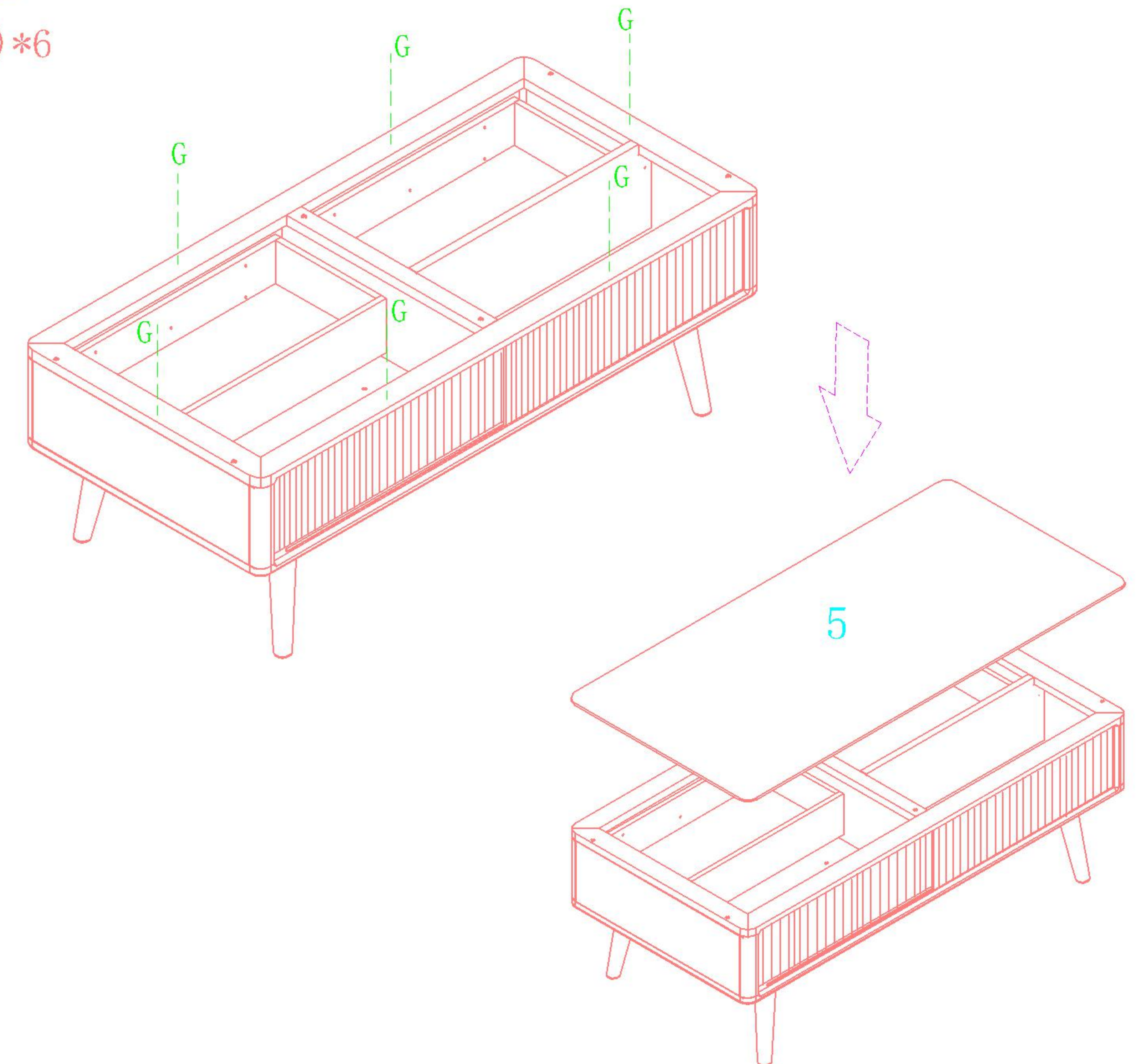
2

- (J)\*8



3

- (G)\*6



4

先安装好4号部件  
再安装五金J  
intalling Hardware J  
after finished No.4 parts