

# LINSY

## 安装示意图/Assembly Instruction

产品名称 Model NO. 1012-B#

产品规格 Specification 左双人+右双人  
Loveseat(L) + Loveseat(R)

尺寸组合 Combined size 2840\*830\*800mm

成品部件明细 Finished Parts Details	编号 NO.	名称 Name	规格 Specification	数量 QTY	材质 Material
	1	左双人 Loveseat(L)	1420*830*800mm	1	实木·夹板·海绵·布料 Solid wood + Plywood + Sponge + Fabric
	2	右双人 Loveseat(R)	1420*830*800mm	1	实木·夹板·海绵·布料 Solid wood + Plywood + Sponge + Fabric

制图 Draw

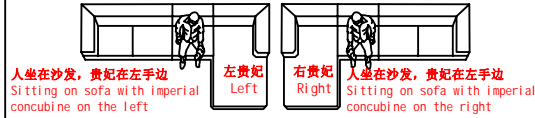
C20

### 配件表 Accessories list

编号 NO.	名称 Name	图示 Icon	数量 QTY	左双人 Loveseat(L)	右双人 Loveseat(R)
A	说明书(含安装图) Mounting Instruction (with drawing)		1	1	0
B	(160*78*50mm)橡胶木原木色沙发脚 (160*78*50mm)rubber wood wooden foot		8	4	4
C	M8*20斜边内六角螺栓 M8*20 bevel hexagon bolt		32	16	16
D	M10外六角螺母 M10 external hexagon nut		8	4	4
E	M4*25自攻螺丝 M4*25 self tapping screw		8	4	4
F	5厘七字内六角扳手 5mm internal hexagonal wrench		2	1	1
G	(80*80*2mm)沙发脚椭圆孔连接铁片 (80*80*2mm) Sofa foot elliptical hole connecting iron sheet		8	4	4
J	白色魔术布条(35米) White magic strips (35m)		1	1	0
K	M8*80全牙螺杆 M8*80 full tooth screw		8	4	4
L	14MM开口扳手 (14mm)wrench		2	1	1
M	M8垫片 M8 pad		8	4	4
N	M8外六角螺母 M8 external hexagon nut		8	4	4

如何区分沙发的左右方向?  
How to zone the left and right direction of the sofa?

(图示仅供分辨方向用/Icons are for orientation only)



安装人数  
Installer



充电式手电钻Cordless hand drill

或者Or

十字螺丝刀Phillips screwdriver

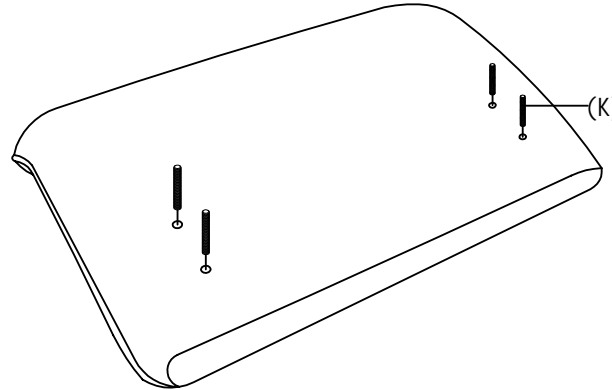
客户安装前须知:

Customers need to know before installation:  
此安装图为“左双人+右双人”的位置关系。  
This installation picture is "Loveseat(L) + Loveseat(R)"

3-1

## 左双人 Loveseat(L)

### STEP 1: 左扶手 The left arm



### STEP 2:

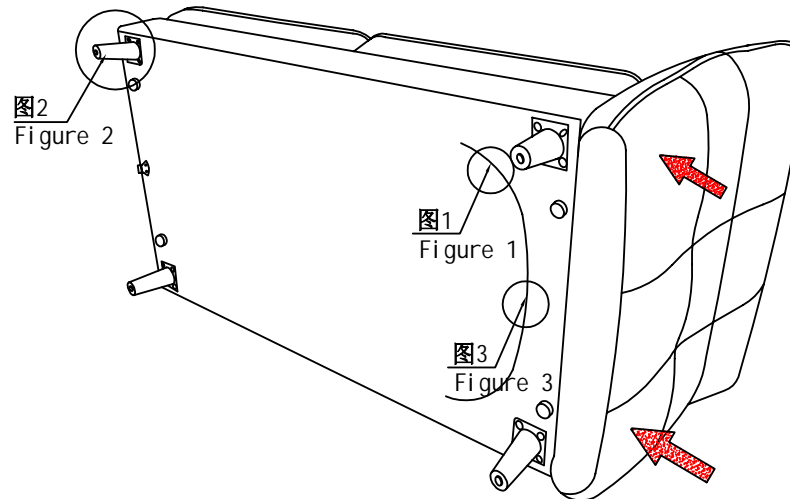


图1: 拉开拉链, 取出配件箱

Figure 1: Unzip the accessory case

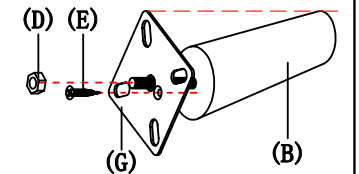
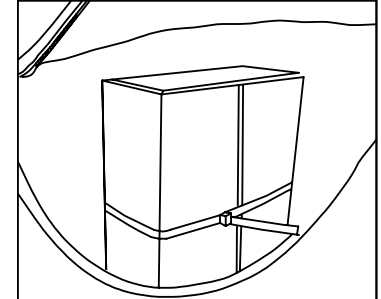


图2步骤①: 木脚弧度顶端对准连接铁片的角, 用自攻螺丝-M4\*25和外六角螺母-M10固定好连接铁片

Figure 2 Step ①: Align the top of the arc of the wooden foot with the Angle of the connecting iron sheet, and fix the connecting iron sheet with self-tapping screw -M4\*25 and hexagon nut -M10

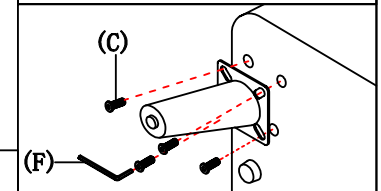
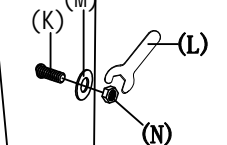


图2步骤②: 边脚安装示意图

Figure 2 Step ②: Schematic diagram of side foot installation

图3: 扶手安装示意图

Figure 3: Handrail installation diagram



# 右双人 Loveseat(R)

## STEP 1: 右扶手 Right arm

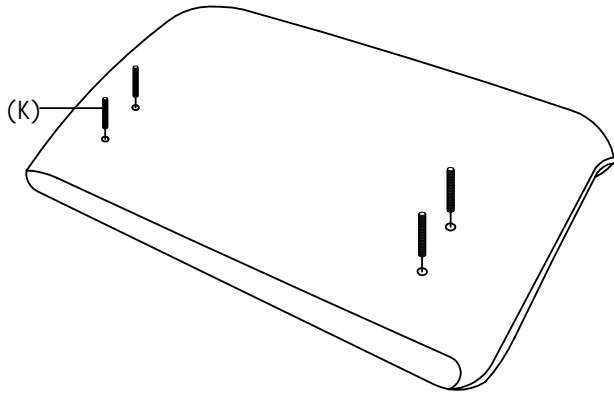


图1: 拉开拉链, 取出配件箱  
Figure 1: Unzip the accessory case

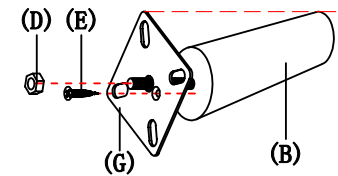
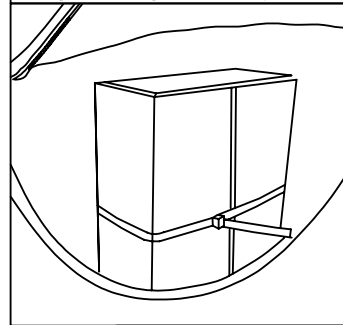


图2步骤①: 木脚弧度顶端对准连接铁片的角, 用自攻螺丝-M4\*25和外六角螺母-M10固定好连接铁片  
Figure 2 Step ①: Align the top of the arc of the wooden foot with the Angle of the connecting iron sheet, and fix the connecting iron sheet with self-tapping screw -M4\*25 and hexagon nut -M10

图3: 扶手安装示意图  
Figure 3: Handrail installation diagram

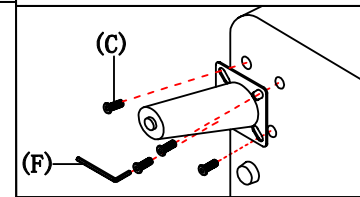
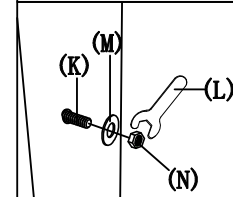
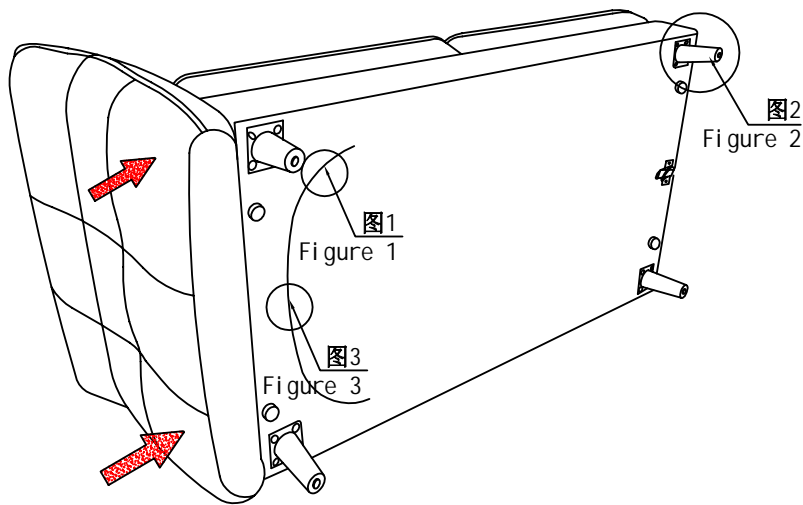
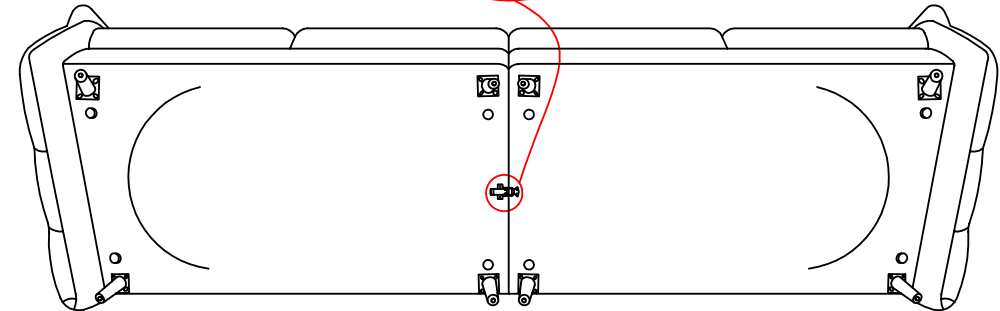
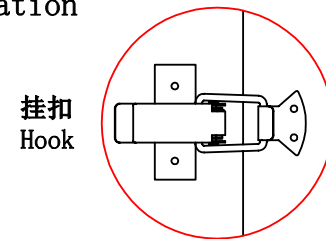


图2步骤②: 边脚安装示意图  
Figure 2 Step ②: Schematic diagram of side foot installation

## STEP 2:



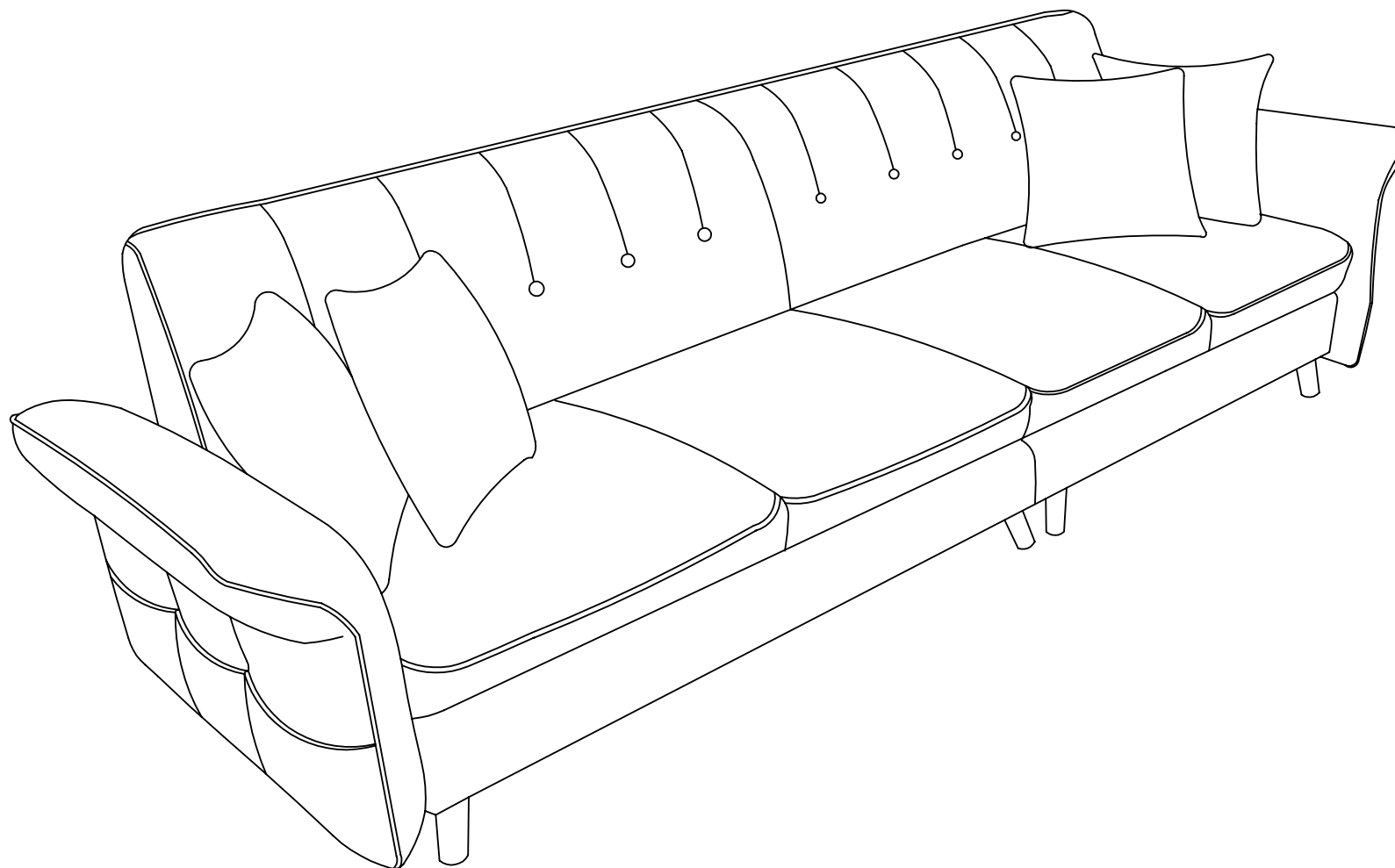
## 组合 Combination



把左双人、右双人靠一起, 锁上座架底的五金扣。  
Put the Loveseat(L) and the Loveseat(R) together, and lock the metal buckle at the bottom of the seat frame.

组合图 Combination

左双人+右双人 Loveseat(L) + Loveseat(R)



# LINSY 林氏家居

## 安装示意图/Assembly Instruction

产品名称 Model NO. B18#(D)

产品规格 Specification 脚踏 Pedal

尺寸组合 Combined size 640\*640\*430mm

成品部件明细 Finished Parts Details	编号 NO.	名称 Name	规格 Specification	数量 QTY	材质 Material
	1	脚踏 Pedal	640*640*430mm	1	实木+夹板+海绵+布料 Solid wood + Plywood + Sponge + Fabric
	2				

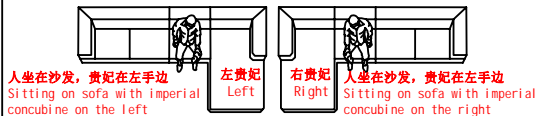
制图 Draw C20

### 配件表 Accessories list

编号 NO.	名称 Name	图示 Icon	数量 QTY	脚踏 Pedal
A	说明书(含安装图) Mounting Instruction (with drawing)		1	1
B	(160*78*50mm)橡胶木原木色沙发脚 (160*78*50mm) rubber wood wooden foot		4	4
C	M8*20斜边内六角螺栓 M8*20 bevel hexagon bolt		16	16
D	M10外六角螺母 M10 external hexagon nut		4	4
E	M4*25自攻螺丝 M4*25 self tapping screw		4	4
F	5厘七字内六角扳手 5mm internal hexagonal wrench		1	1
G	(80*80*2mm)沙发脚椭圆孔连接铁片 (80*80*2mm) Sofa foot elliptical hole connecting iron sheet		4	4
I				
J				
K				

如何区分沙发的左右方向?  
How to zone the left and right direction of the sofa?

(图示仅供分辨方向用/Picture are for orientation only)



安装人数  
Installer



充电式手电钻Cordless hand drill

或者Or



十字螺丝刀Phillips screwdriver

客户安装前须知:  
Customers need to know before installation:  
此安装图为“脚踏”的位置关系。  
This installation picture is "Pedal"

1-1

### 脚踏 Pedal

STEP 1:

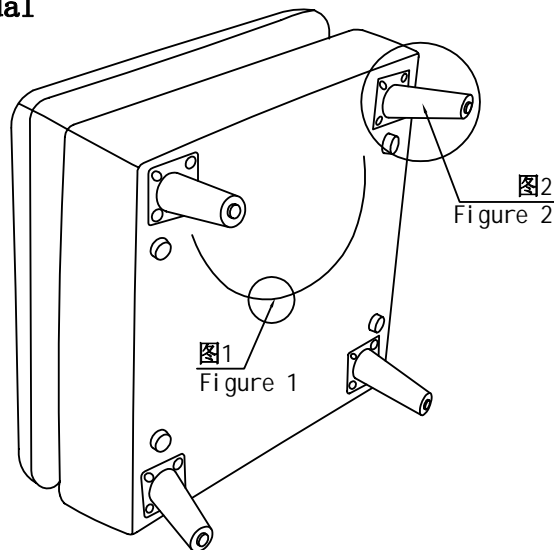


图1: 拉开拉链, 取出配件箱  
Figure 1: Unzip the accessory case

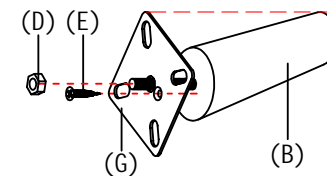


图2步骤①: 木脚弧度顶端对准连接铁片的角, 用自攻螺丝-M4\*25和外六角螺母-M10固定好连接铁片  
Figure 2 Step ①: Align the top of the arc of the wooden foot with the Angle of the connecting iron sheet, and fix the connecting iron sheet with self-tapping screw -M4\*25 and hexagon nut -M10

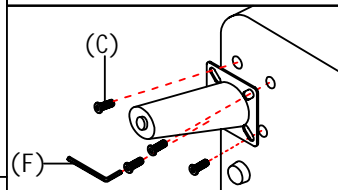


图2步骤②: 边脚安装示意图  
Figure 2 Step ②: Schematic diagram of side foot installation

### 组合图 Combination

脚踏 Pedal

