

LINSY 林氏家居

安装示意图/Assembly Instruction

产品名称 Model NO. 1012#(D)

产品规格 Specification 三人 3seat

尺寸组合 Combined size 2260*860*800mm

成品部件明细	编号 NO.	名称 Name	规格 Specification	数量 QTY	材质 Material
Finished Parts Details	1	三人 3seat	2260*860*800mm	1	实木+夹板+海绵+布料 Solid wood + Plywood + Sponge + Fabric
	2				

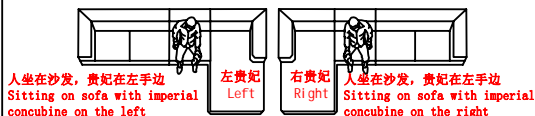
制图 Draw C20

配件表 Accessories list

编号 NO.	名称 Name	图示 Icon	数量 QTY	三人 3seat
A	说明书(含安装图) Mounting Instruction (with drawing)		1	1
B	(160*78*50mm) 橡胶木原木色沙发脚 (160*78*50mm) rubber wood wooden foot		4	4
C	脚-(直径30*106mm)通用铁中脚 diameter 30*106mm iron mid-foot		1	1
D	M8*20斜边内六角螺杆 M8*20 bevel hexagon bolt		16	16
E	M10外六角螺母 M10 external hexagon nut		4	4
F	M4*25自攻螺丝 M4*25 self tapping screw		4	4
G	5厘七字内六角扳手 5mm internal hexagonal wrench		1	1
H	(80*80*2mm) 沙发脚椭圆孔连接铁片 (80*80*2mm) Sofa foot elliptical hole connecting iron sheet		4	4
J	白色魔术布条 White magic strips		1	1
K	全牙螺杆-(M8*45mm) threaded rod M8*45		1	1

如何区分沙发的左右方向?
How to zone the left and right direction of the sofa?

(图示仅供分辨方向用/Picture are for orientation only)



安装人数
Installer



充电式手电钻Cordless hand drill
或者Or
十字螺丝刀Phillips screwdriver

客户安装前须知:
Customers need to know before installation:
此安装图为“三人”的位置关系。
This installation picture is "3seat"

2-1

三人 3seat

STEP 1:

图1: 拉开拉链, 取出配件箱
Figure 1: Unzip the accessory case

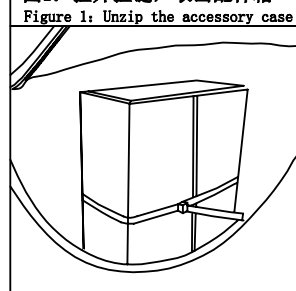


图2: 中脚安装示意图
Figure 2: Central foot installation schematic diagram

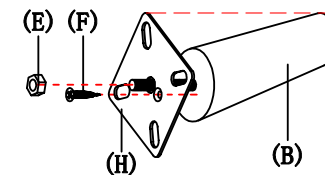
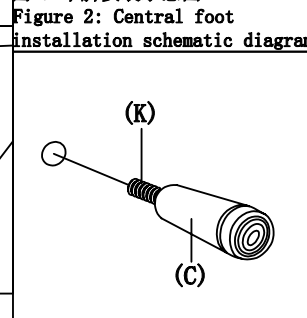


图3步骤①: 木脚弧度顶端对准连接铁片的角, 用自攻螺丝-M4*25和外六角螺母-M10固定好连接铁片
Figure 3 Step ①: Align the top of the arc of the wooden foot with the Angle of the connecting iron sheet, and fix the connecting iron sheet with self-tapping screw -M4*25 and hexagon nut -M10

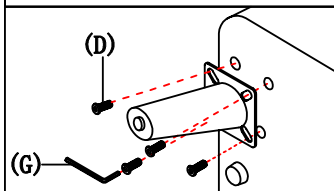
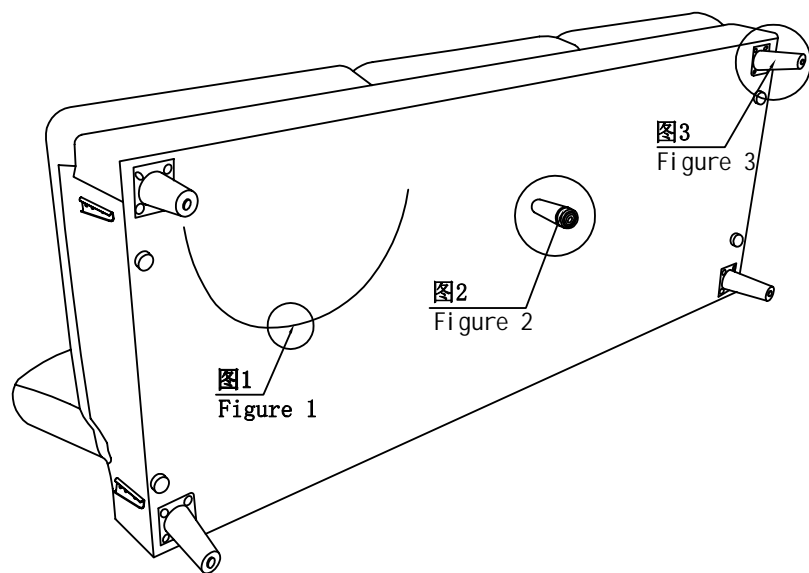
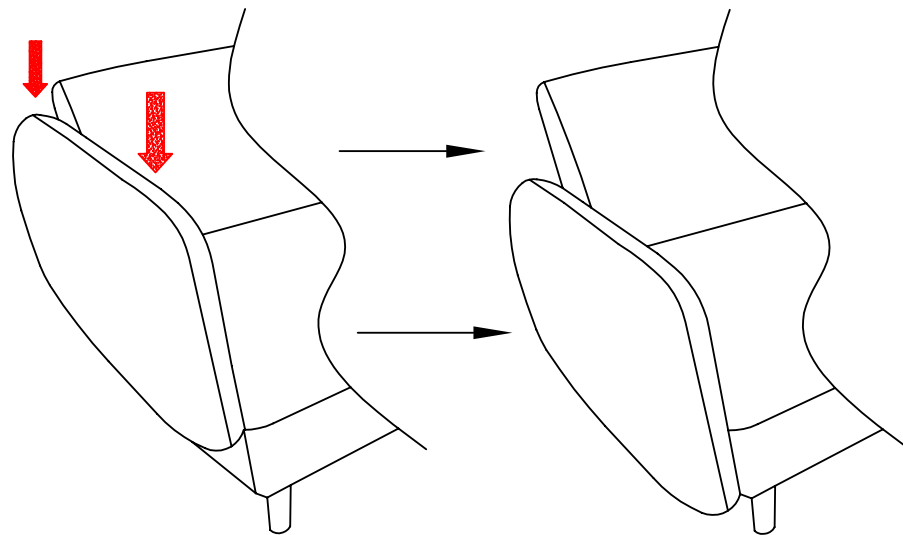


图3步骤②: 边脚安装示意图
Figure 3 Step ②: Schematic diagram of side foot installation



STEP 2:

2-2



注：按箭头扶手从上往下按插扣位置固定于座架侧面
Note: Press the arrow handrail from the top down to fix the latch position on the side of the seat frame

组合图 Combination

三人 3seat

