

# LINSY 林氏家居

## 五金表/Hardware list

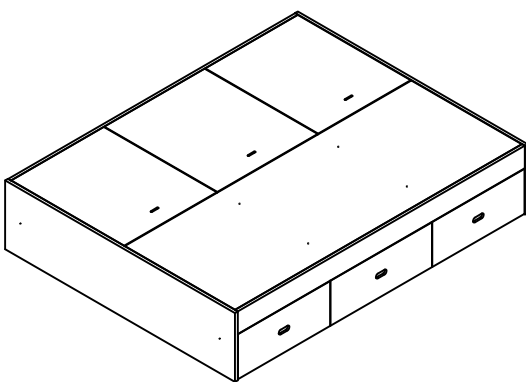
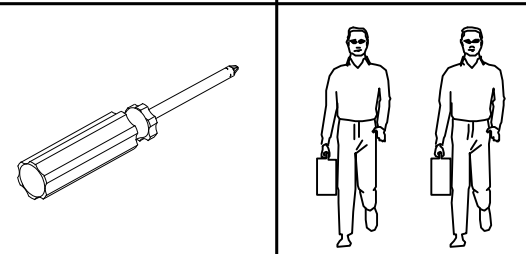
## 部件表/Parts List

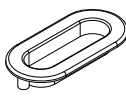

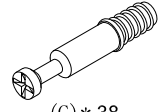
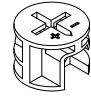




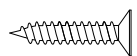


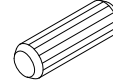
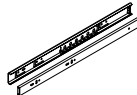
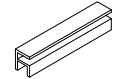
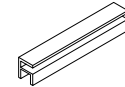

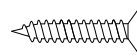

### 安装示意图/Assembly Instruction

产品名称 Model NO. JJ1A-B (1.5m)

产品规格 Specification 1910\*1500\*392 mm

安装工具 Tool 安装人数 Installer

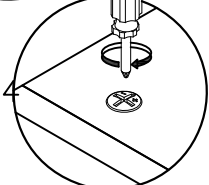
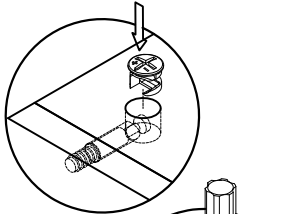
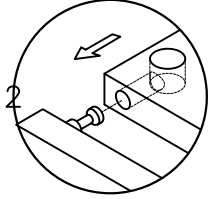
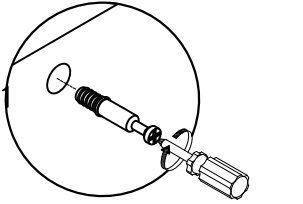


- |   |  |   |   |
|---|--|---|---|
| <br>(A)* 3<br>椭圆形拉手<br>Oval handle                     | <br>(B)* 3<br>汽动布拉手<br>Cloth handle              | <br>(C)* 38<br>二合一螺丝(35mm)<br>2-in-1-screw         | <br>(D)* 38<br>大三合一锁饼(15mm)<br>Three-in-one large lock |
| <br>(E)* 13<br>小三合一锁饼(13mm)<br>small three-in-one lock | <br>(F)* 13<br>小二合一杆7*28<br>small two-in-one rod | <br>(G)* 6<br>拉手螺丝-M4x12mm<br>pulling screw        | <br>(H)* 13<br>塑料螺母<br>Plastic Nut                     |
| <br>(I)* 34<br>自攻螺丝M4x25mm<br>Self-tapping screw       | <br>(J)* 13<br>自攻螺丝M4x40mm<br>Self-tapping screw | <br>(K)* 38<br>自攻螺丝M3.5x12mm<br>Self-tapping screw | <br>(L)* 8<br>木榫Ø8x30mm<br>wood tenon                  |
| <br>(M)* 3<br>三节滚珠导轨-14"                               | <br>(N)* 4<br>底板塑胶条1 L-564                       | <br>(O)* 2<br>底板塑胶条2 L-584                         | <br>(P)* 6<br>底板塑胶条3 L-725                             |
| <br>(Q)* 4<br>自攻螺丝M4x30mm<br>Self-tapping screw       | <br>(R)* 28<br>脚垫-灰色<br>Footrest - Grey          |   |   |

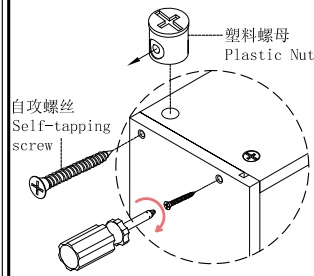
编号NO.	名称Name	规格 (mm) Specification	数量QTY	材质Material
①	左侧板 Side board(L)	1500*389*18	1	三胺板Melamine
②	右侧板 Side board(R)	1500*389*18	1	三胺板Melamine
③	背板 Back board	1874*389*18	1	三胺板Melamine
④	中隔板 Middle clapboard	1874*371*18	1	三胺板Melamine
⑤	上中侧板 Upper middle side board	731*371*18	2	三胺板Melamine
⑥	下中侧板 Middle-down side panel	713*353*18	2	三胺板Melamine
⑧	底拉条 Bottom brace	1874*88*18	1	三胺板Melamine
⑨	床板托条 Bed board support strip	500*58*18	8	三胺板Melamine
⑩	床侧 Bedside	1874*128*18	1	三胺板Melamine
⑪	边抽屉面板 Side drawer panel	602*254*18	2	三胺板Melamine
⑫	抽屉左侧板 Drawer's side board(L)	395*142*12	3	三胺板Melamine
⑬	抽屉右侧板 Drawer's side board(R)	395*142*12	3	三胺板Melamine
⑭	边抽屉后板 Side drawer rear panel	556*142*12	2	三胺板Melamine
⑮	大抽屉底板 Base plate of large drawer	566*391*5	2	三胺板Melamine
⑯	中抽屉面板 Drawer's middle board	662*254*18	1	三胺板Melamine
⑰	中抽屉后板 Rear plate of middle drawer	576*142*12	1	三胺板Melamine
⑱	中抽屉底板 Middle drawer bottom plate	586*391*5	1	三胺板Melamine
⑲	大床板 Big bed board	1870*720*18	1	三胺板Melamine
⑳	小床板 Small bed board	604*738*18	2	三胺板Melamine
㉑	中床板 Middle bedplate	655*738*18	1	三胺板Melamine
㉒	底板1 Bottom panel 1	721*596*5	2	三胺板Melamine
㉓	底板2 Bottom panel 2	721*616*5	1	三胺板Melamine
㉔	床板托条1 Bed board support strip	720*58*18	4	三胺板Melamine

JJ1A-B (1.5m)

安装方法/  
Installation method



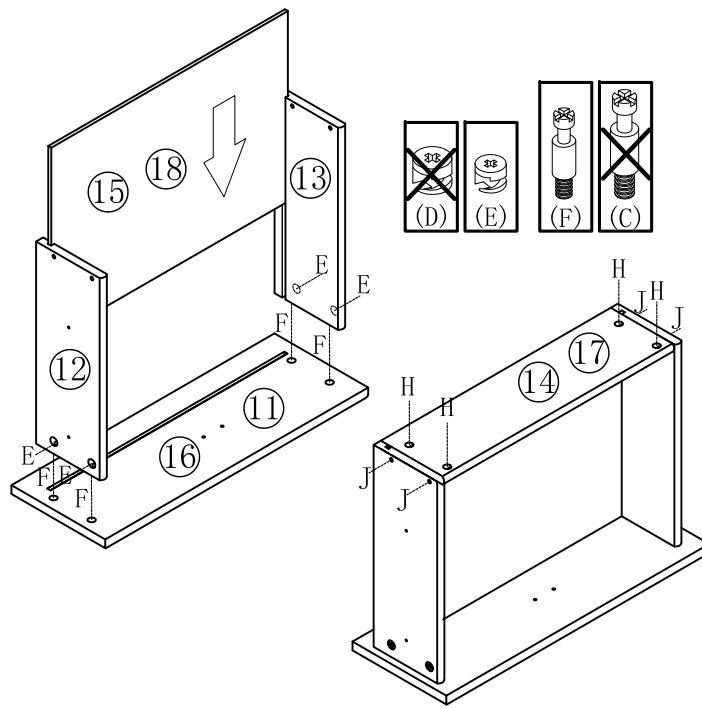
小二合一  
small two-in-one



塑料螺母  
Plastic Nut

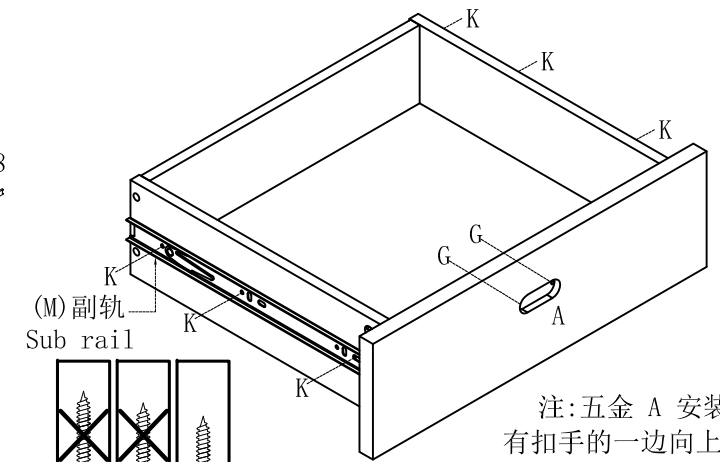
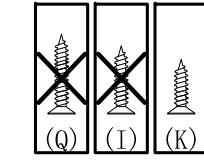
- (E)\*12
- (F)\*12
- (H)\*12
- (J)\*12

- (C)\*8
- (D)\*8
- (R)\*12



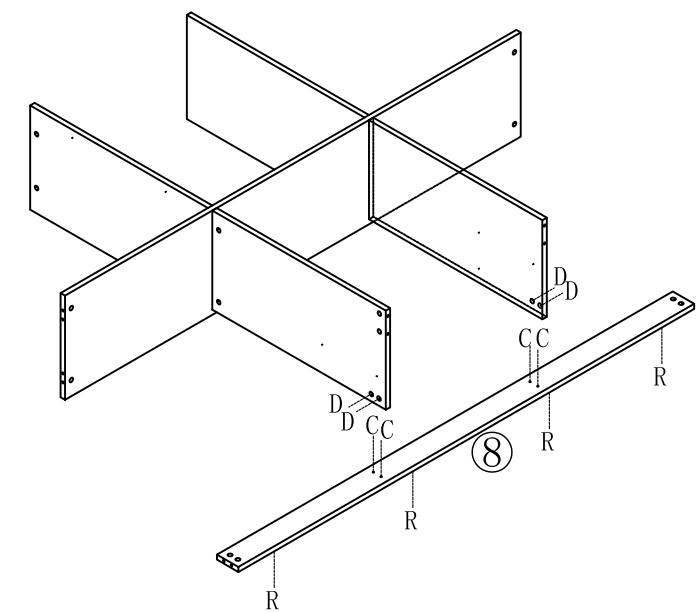
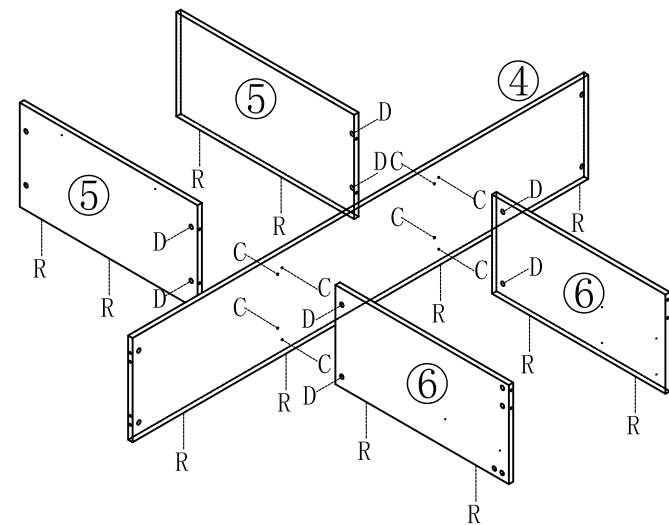
- 1
- (A)\*3
  - (G)\*6
  - (K)\*18
  - (M)\*3

(M) 副轨  
Sub rail



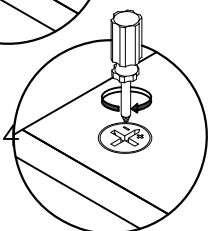
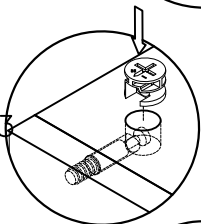
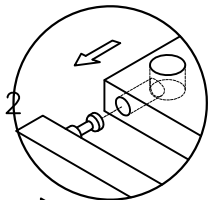
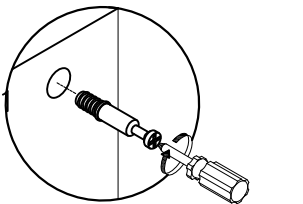
注:五金 A 安装时  
有扣手的一边向上安装  
Note: During the  
installation of  
hardware A, the side  
with clasp shall be  
installed upward

- 3
- (C)\*4
  - (D)\*4
  - (R)\*4

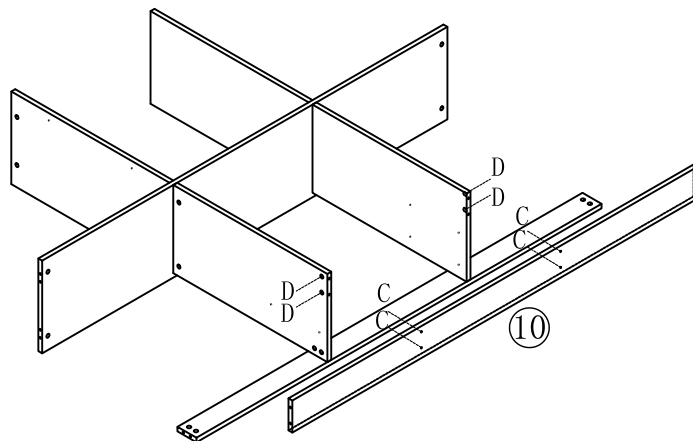
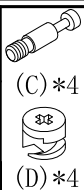


JJ1A-B (1.5m)

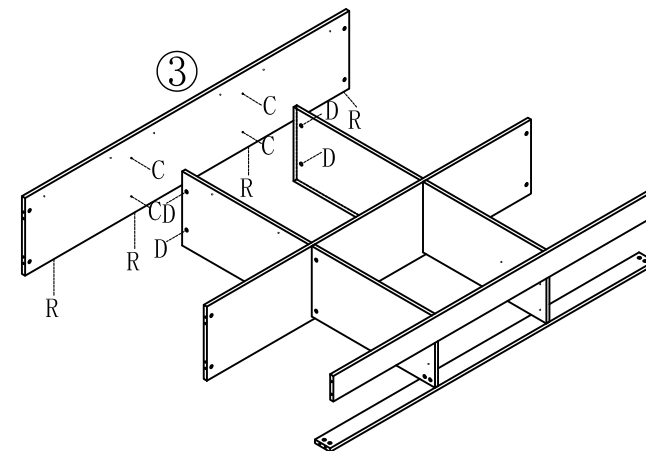
安装方法/  
Installation method



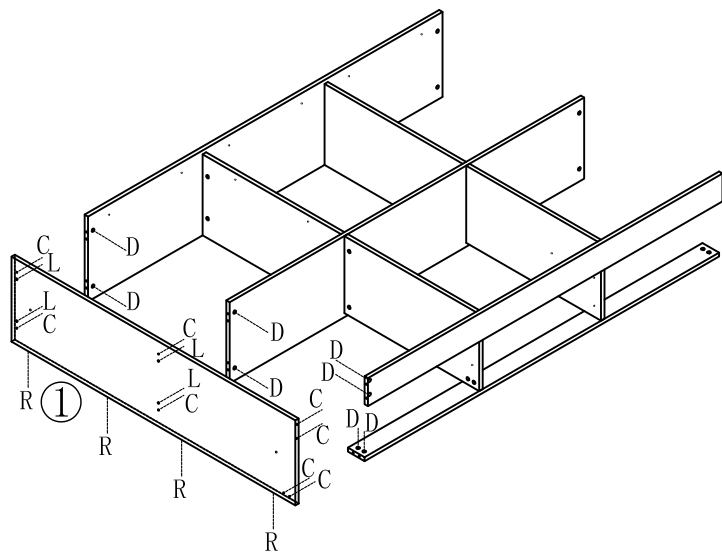
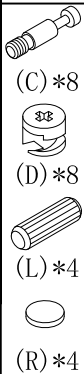
大二合一  
two-in-one



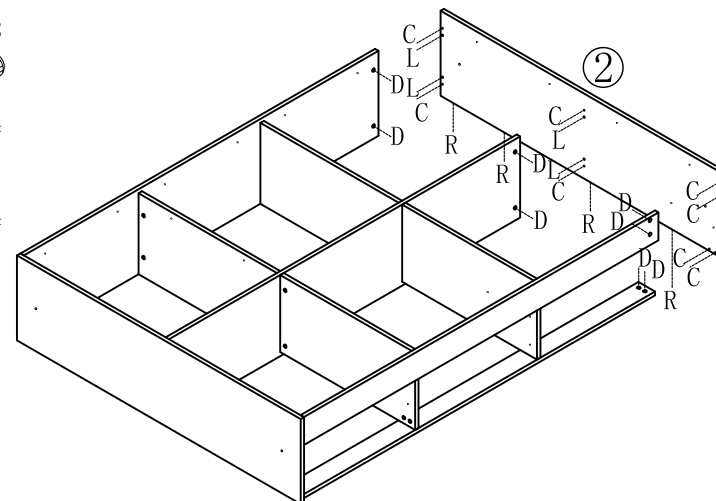
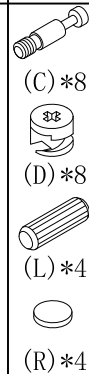
5



6



7



8

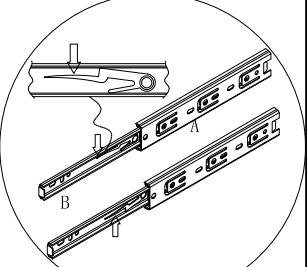
JJ1A-B (1.5m)

安装方法/

Installation method

阀门开关(下压为开)  
Valve switch  
(press down to open)

1

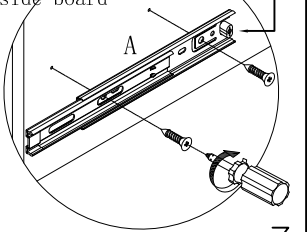


注: 先将A与B拆下来  
Note: remove a and B first

侧板  
side board

后after

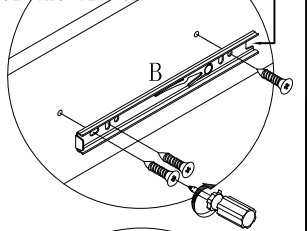
2



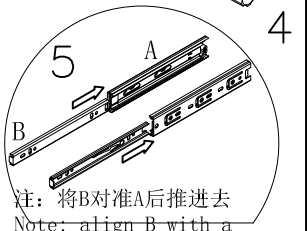
抽屉侧板  
sideboard  
of the drawer

后after

3



4

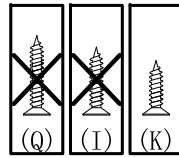
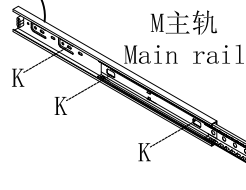
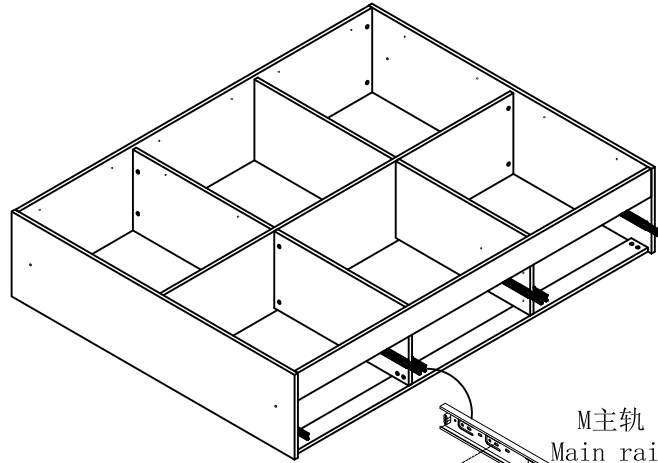


注: 将B对准A后推进去  
Note: align B with a  
and push it in

三节滚珠导轨  
three-section ball rail

(M)\*3

(K)\*18

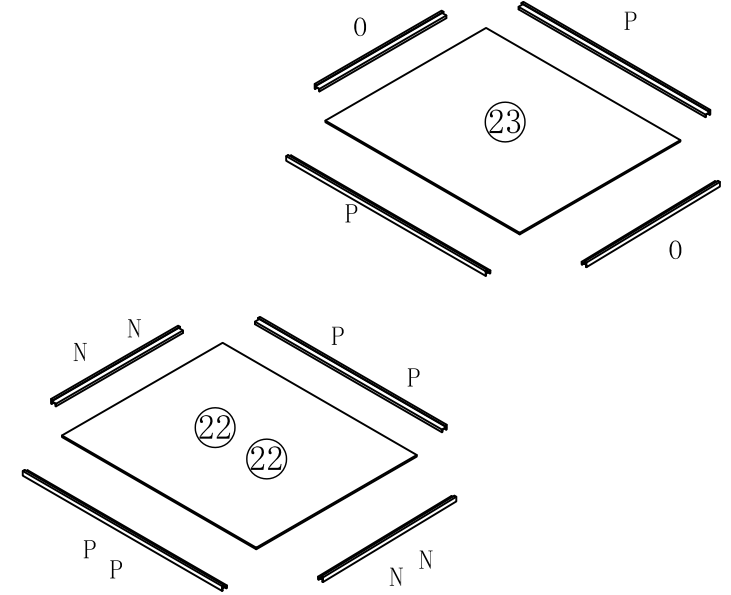


9

(N)\*4

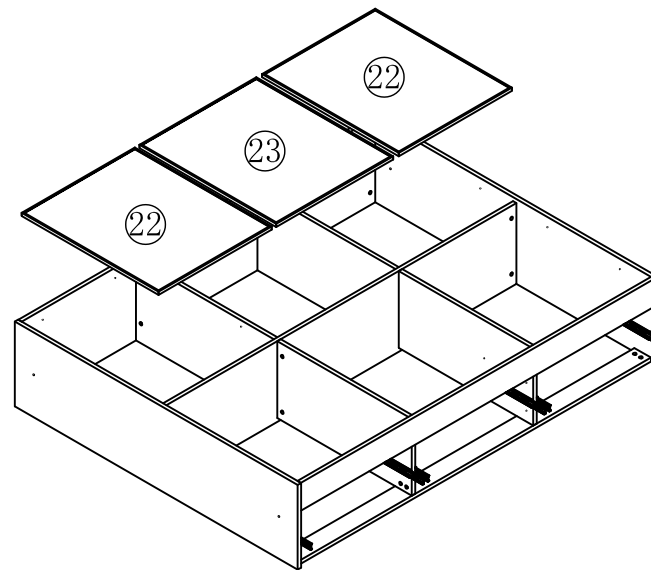
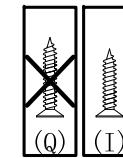
(O)\*2

(P)\*6



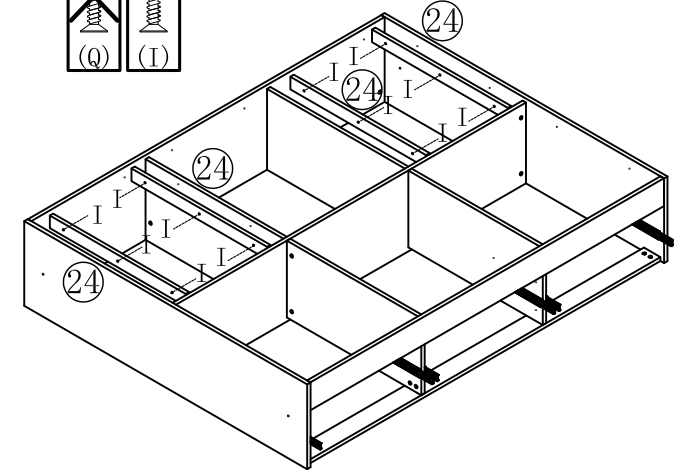
11

(I)\*12



10

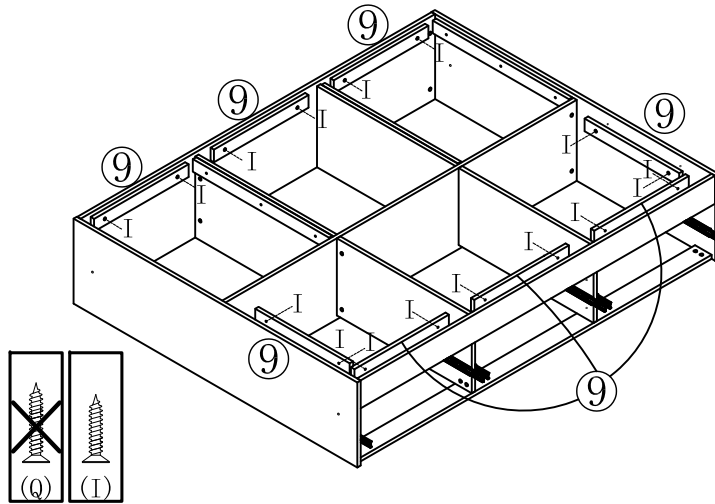
12



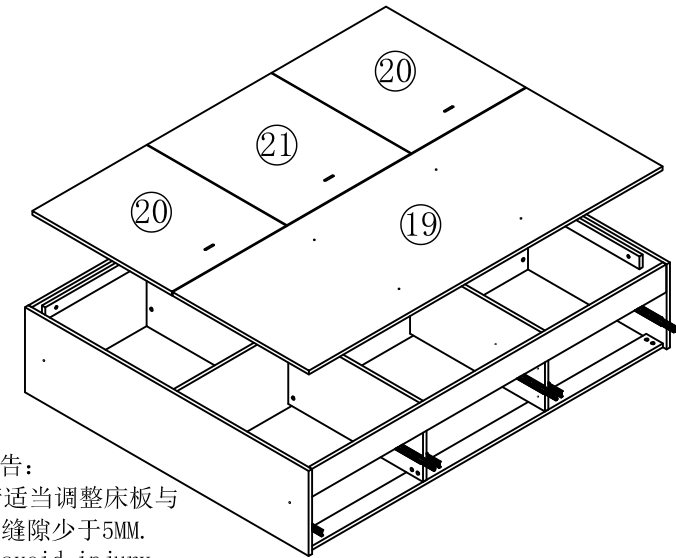
JJ1A-B (1.5m)

安装方法/  
Installation method

  
(I)\*16



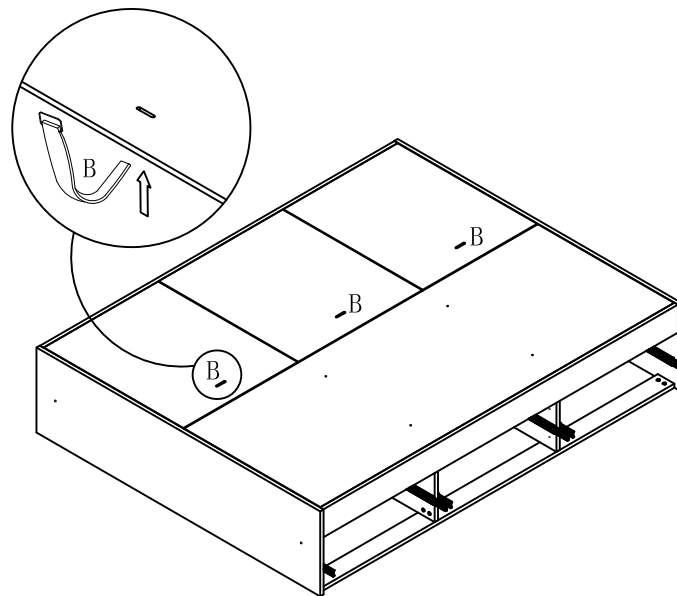
13



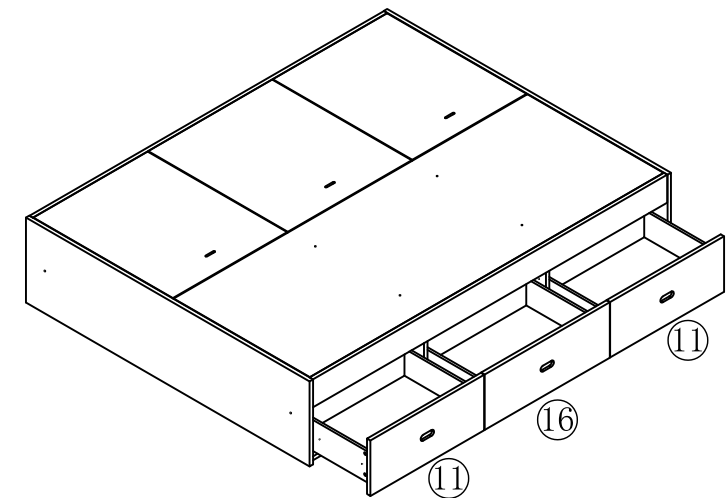
14

警告：  
为避免夹伤，请适当调整床板与  
床侧间隙，使缝隙少于5mm。  
Warning: To avoid injury,  
Please adjust the gap that  
less than 5mm between the bed  
board and side.

  
(B)\*3



15

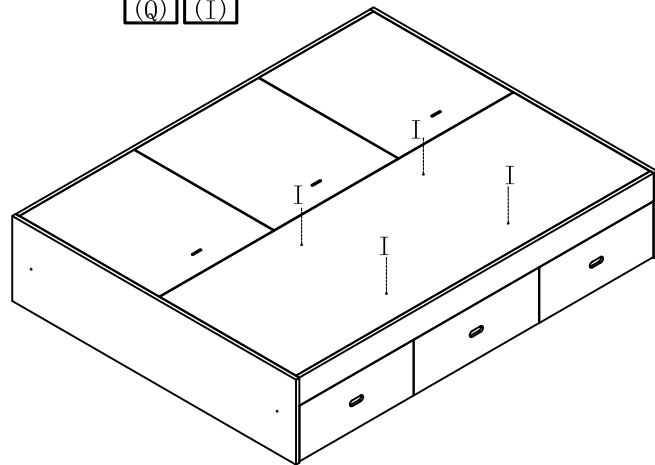
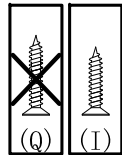


16

JJ1A-B (1.5m)

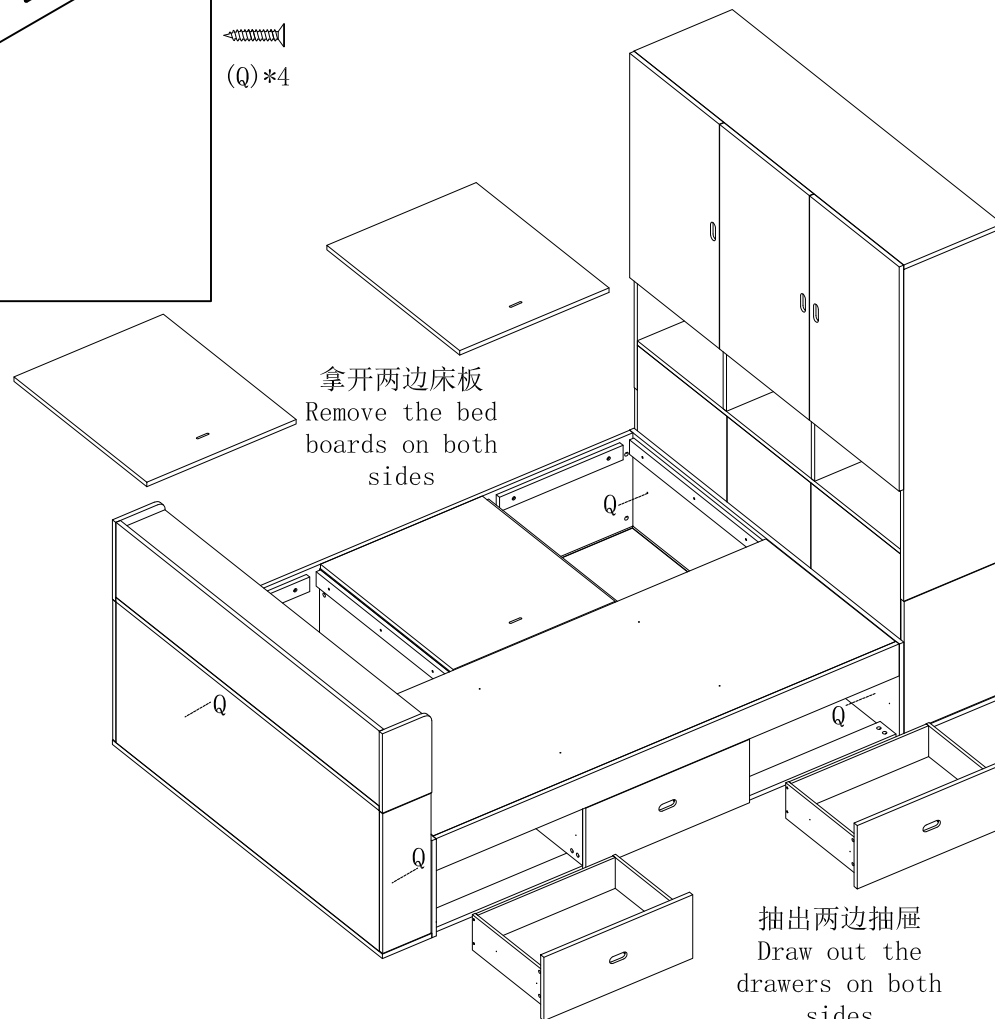
安装方法/  
Installation method

←  
(I)\*4



17

←  
(Q)\*4



拿开两边床板  
Remove the bed  
boards on both  
sides

抽出两边抽屉  
Draw out the  
drawers on both  
sides

注:购买此组合才用到五金 Q  
没购买此组合无需理会  
Note: Hardware is only used when  
purchasing this combination Q You  
don't need to pay attention if you  
don't buy this combination

18