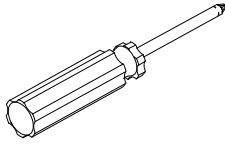



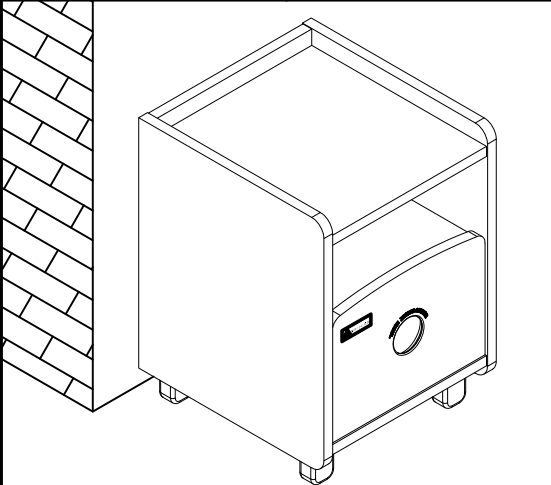
# LINSY 林氏家居

## 五金表/Hardware list

## 部件表/Parts List

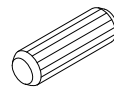
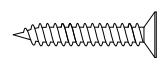
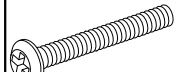

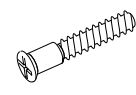
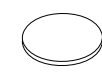
### 安装示意图/Assembly Instruction

产品名称 Model NO.	KU1B-A
产品规格 Specification	354*380*500 mm
安装工具 Tool	安装人数 Installer
	



▶注意! 只允许成人安装, 儿童勿近  
使用本产品请靠墙放置  
Be careful! Adult only, keep away from children. Please place this product against the wall

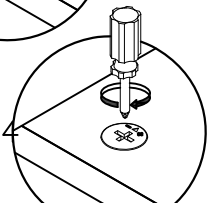
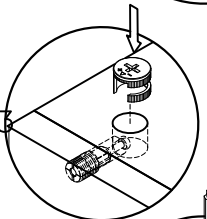
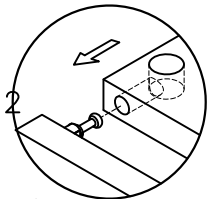
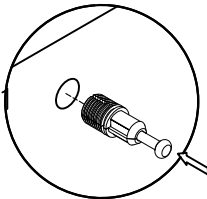
警告: 为避免夹伤, 多个产品组合使用时  
请适当调整组合间隙, 使缝隙少于5MM或  
大于15mm。  
Warning: To avoid injury, please  
adjust the gap that less than 5mm  
or more than 15mm when using  
multiple product combinations.

 (A)* 17 二合一螺杆 2-in-1-screw	 (B)* 17 大三合一锁饼(15mm) Three-in-one large lock	 (C)* 4 小二合一杆7*28 small two-in-one rod	 (D)* 4 小三合一锁饼(13mm) small three-in-one lock
 (E)* 17 木榫08x30mm wood tenon	 (F)* 4 塑料螺母 Plastic Nut	 (G)* 4 自攻螺丝M4x40mm Self-tapping screw	 (H)* 2 层板托5mm shelf support
 (I)* 17 自攻螺丝M3.5x12mm Self-tapping screw	 (J)* 4 斜边十字螺杆-M8x50 bevel cross screw	 (K)* 4 锤母-M8 Ø12x15mm Hammer nut	 (L)* 1 三节滚珠导轨-10" three-section ball rail
 (M)* 2 L型角码14x21x1.5 L-shaped corner code	 (N)* 1 过山丝-M7x38mm Self-tapping screw galvanized	 (O)* 4 脚垫-灰色 Footrest - Grey	 (P)* 2 家具防倒器-白色 Anti-fall device white

编号NO.	名称Name	规格 (mm) Specification	数量QTY	材质Material
①	面板Top panel	318*359*18	1	三胺板 Melamine
②	底板Bottom board	318*377*18	1	三胺板 Melamine
③	左侧板Side board(L)	445*380*18	1	三胺板 Melamine
④	右侧板Side board(R)	445*380*18	1	三胺板 Melamine
⑤	层板Shelf	318*340*18	1	三胺板 Melamine
⑥	背板Back board	401*318*18	1	三胺板 Melamine
⑦	抽屉面板组立Drawer panels assembly	314*230*18	1	三胺板 Melamine
⑧	抽屉左侧板Drawer's side board(L)	295*142*12	1	三胺板 Melamine
⑨	抽屉右侧板Drawer's side board(R)	295*142*12	1	三胺板 Melamine
⑩	抽屉后板Drawer's Back board	268*142*12	1	三胺板 Melamine
⑪	抽屉底板Drawer's Bottom board	278*291*5	1	三胺板 Melamine
⑫	脚Foot	80*45*30	4	实木 Wood

KU1B-A

安装方法/  
Installation method



大二合一 (新型)  
two-in-one (new type)



(C)\*4



(D)\*4



(F)\*4



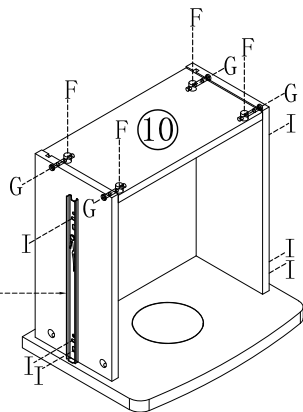
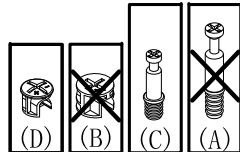
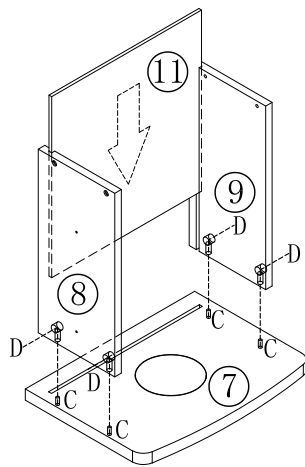
(G)\*4



(I)\*6



(L)\*1



(L) 副轨  
Sub rail

1



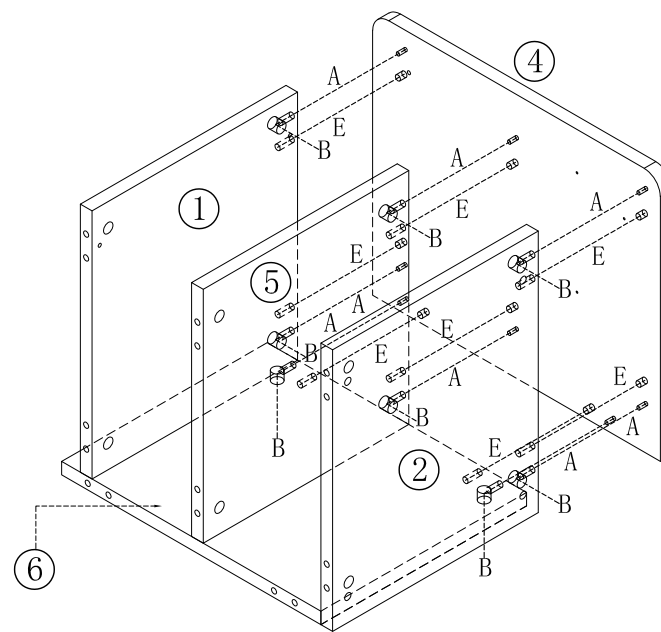
(A)\*8



(B)\*8



(E)\*8



2



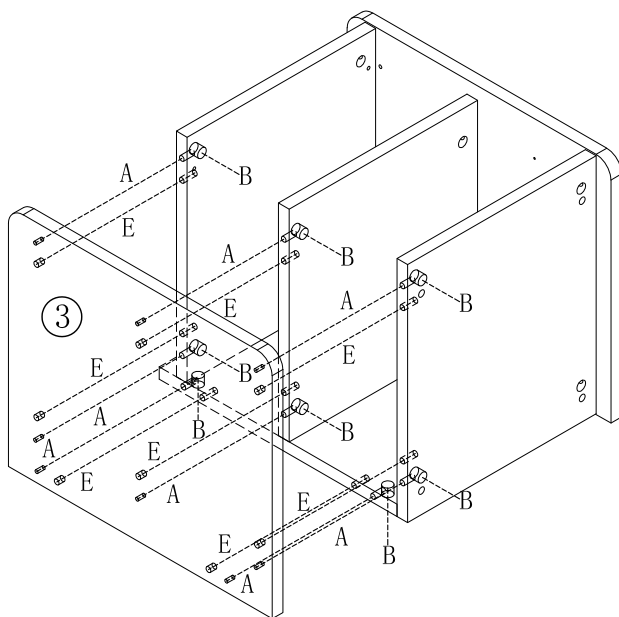
(A)\*8



(B)\*8



(E)\*8



3



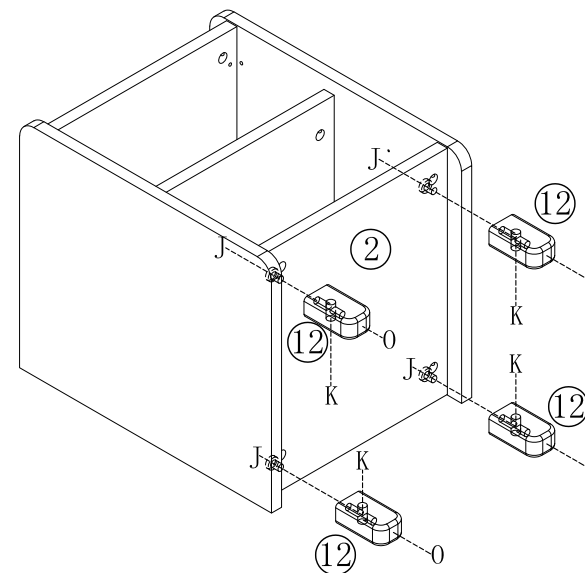
(J)\*4



(K)\*4



(O)\*4





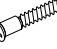


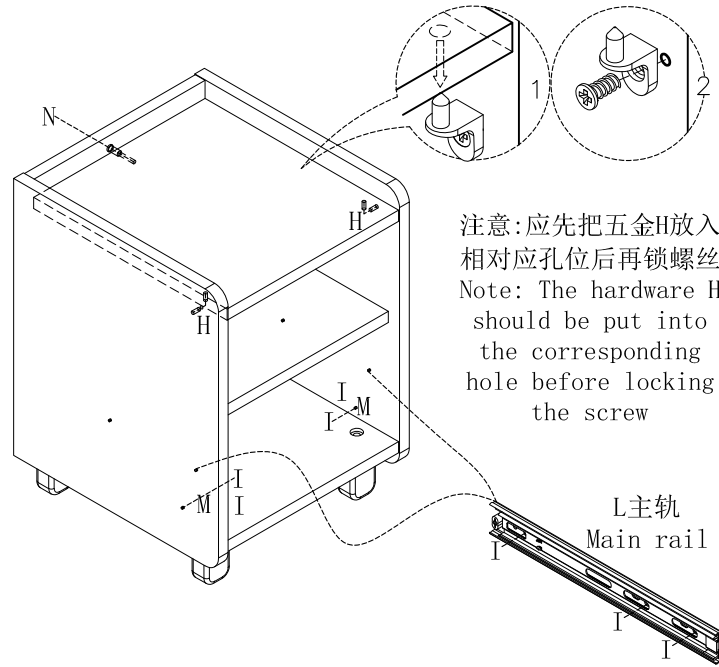
4

KU1B-A

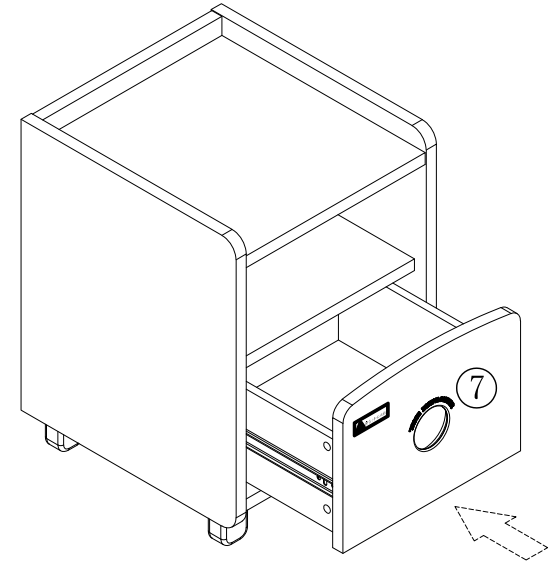
5

安装方法/  
Installation method

-  (H)\*2
-  (I)\*10
-  (L)\*1
-  (M)\*2
-  (N)\*1



6



# LINSY 林氏家居

安装示意图/Assembly Instruction

产品名称 Model NO.

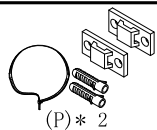
Anti-fall device

产品规格 Specification

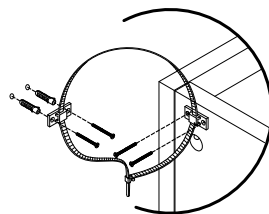
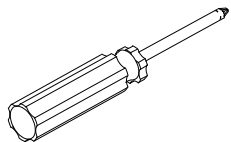
KU1B-A

安装工具 Tool

安装人数 Installer



家具防倒器-白色  
Anti-fall device white



P处放大图  
Enlarged view at P

实体墙  
Solid wall

