

LINSY 林氏家居

安装示意图/Assembly Instruction

产品名称 Model NO.	BS119-A#
----------------	----------

产品规格 Specification	左双人+右双人 Loveseat(L) + Loveseat(R)
--------------------	--------------------------------------

尺寸组合 Combined size	2900*1130*780mm
--------------------	-----------------

成品部件明细 Finished Parts Details	编号 NO.	名称 Name	规格 Specification	数量 QTY	材质 Material
	1	左双人 Loveseat(L)	1450*1130*780	1	实木+夹板+海绵+布类 Solid wood + plywood + sponge + cloth
	2	右双人 Loveseat(R)	1450*1130*780	1	实木+夹板+海绵+布类 Solid wood + plywood + sponge + cloth
	3				

制图 Draw

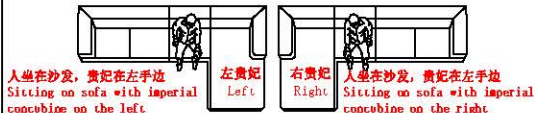
C20

配件表 Accessories list

编号NO.	名称 Name	图示 Icon	数量 QTY	左双人 Loveseat(L)	右双人 Loveseat(R)
A	说明书(含安装图) Mounting Instruction (with drawing)		1	1	0
B	M5*50 自攻螺丝 M5*50 self tapping screw		16	8	8
C	SG-(直径72*40mm)沙发通用小圆脚 SG-(diameter 72*40mm) sofa general purpose small round feet		8	4	4
D	4分双勾么术布袋95cm 4 points double hook cloth 95cm		2	1	1

如何区分沙发的左右方向?
How to zone the left and right direction of the sofa?

(图示仅供分辨方向用/Picture are for orientation only)



安装人数
Installer



充电式手电钻 Cordless hand drill
或者 Or
十字螺丝刀 Phillips screwdriver

客户安装前须知:

Customers need to know before installation:
此安装图为“左双人+右双人”的位置关系。
This installation picture is "Loveseat(L) + Loveseat(R)"

2-1

左双人 Loveseat(L)

STEP 1:

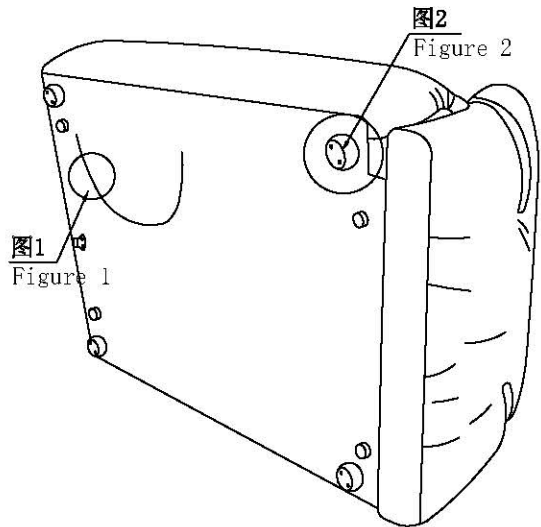


图1: 拉开拉链, 取出配件

Figure 1: Unzipper and remove fitting

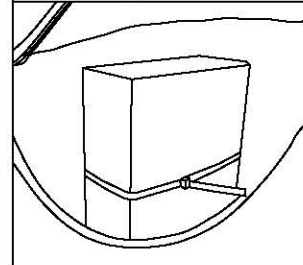
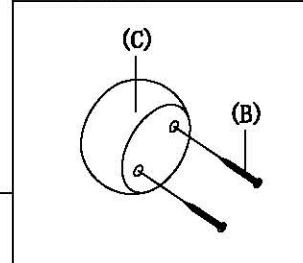


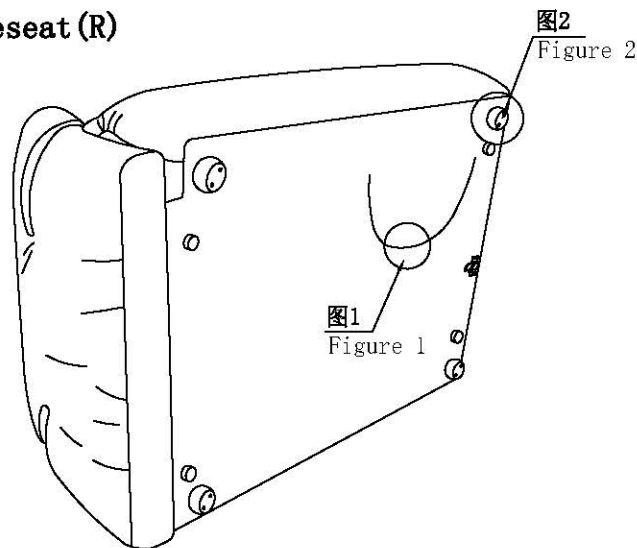
图2: 胶脚安装示意图

Figure 2: Schematic diagram of rubber foot installation

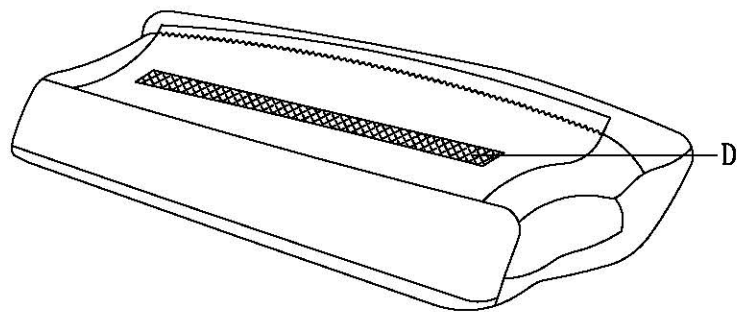


右双人 Loveseat(R)

STEP 1:



靠包 * 1 对 On package for * 1

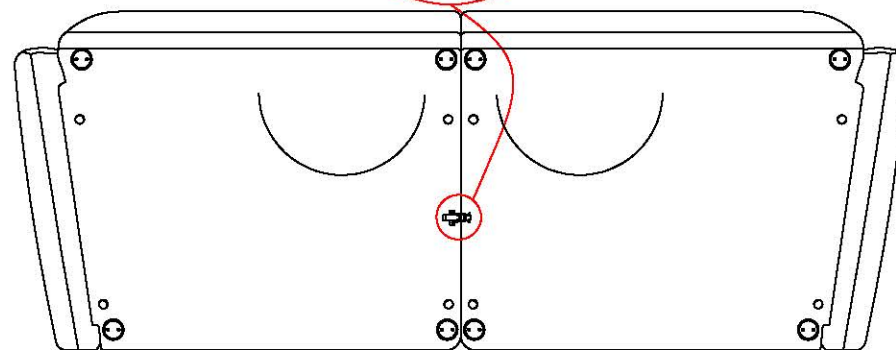
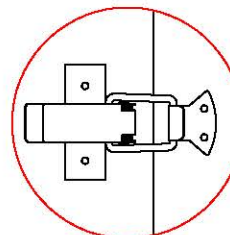


注：靠包背面要粘贴上4分双勾么术布条 95cm
Note: The back of the bag should be pasted with a 4-cent double hook cloth 95cm

组合 Combination

2-2

挂扣
Hook



把左双人、右双人靠一起，锁上座架底的五金扣。
Put the Loveseat(L) and the Loveseat(R) together,
and lock the metal buckle at the bottom of the seat frame.

组合图 Combination

左双人+右双人 Loveseat(L) + Loveseat(R)

