

# LINSY 林氏家居

## 安装示意图/Assembly Instruction

产品名称 Model NO. BS119-A#

产品规格 Specification 左单人+右单人 Individual (L) + Individual (R)

尺寸组合 Combined size 2420\*1130\*780mm

成品部件明细 Finished Parts Details	编号 NO.	名称 Name	规格 Specification	数量 QTY	材质 Material
	1	左单人 Individual (L)	1210*1130*780	1	实木+夹板+海绵+布料 Solid wood + plywood + sponge + cloth
	2	右单人 Individual (R)	1210*1130*780	1	实木+夹板+海绵+布料 Solid wood + plywood + sponge + cloth
	3				

制图 Draw C20

### 配件表 Accessories list

编号 NO.	名称 Name	图示 Icon	数量 QTY	左单人 Individual (L)	右单人 Individual (R)
A	说明书(含安装图) Mounting Instruction (with drawing)		1	1	0
B	M5*50自攻螺丝 M5*50 self tapping screw		16	8	8
C	SG-(直径72*40mm)沙发通用小圆脚 SG-(diameter 72*40mm) sofa general purpose small round feet		8	4	4
D	4分双勾木布条70cm 4 points double hook cloth 70cm		2	1	1

如何区分沙发的左右方向?  
How to zone the left and right direction of the sofa?

(图示仅供分辨方向用/Picture are for orientation only)

人坐在沙发, 贵妃在左边  
Sitting on sofa with imperial concubine on the left

左贵妃 Left

右贵妃 Right

人坐在沙发, 贵妃在右边  
Sitting on sofa with imperial concubine on the right

安装人数  
Installer

充电式手电钻Cordless hand drill

或者Or

十字螺丝刀Phillips screwdriver

客户安装前须知:  
Customers need to know before installation:  
此安装图为“左单人+右单人”的位置关系。  
This installation picture is "Individual (L) + Individual (R)"

2-1

### 左单人 Individual (L)

STEP 1:

图1 Figure 1

图2 Figure 2

图1: 拉开拉链, 取出配件  
Figure 1: Unzipper and remove fitting

图2: 胶脚安装示意图  
Figure 2: Schematic diagram of rubber foot installation

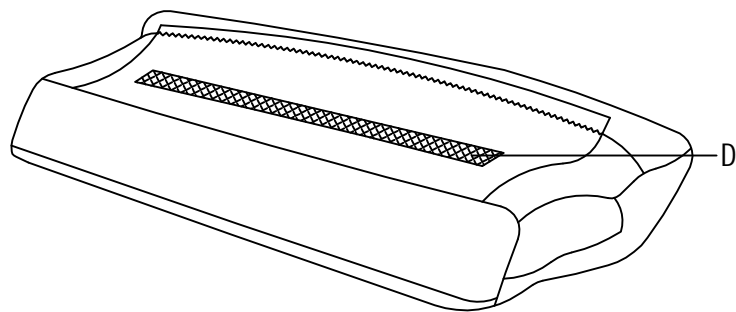
### 右单人 Individual (R)

STEP 1:

图1 Figure 1

图2 Figure 2

靠包 \* 1 对 On package for \* 1

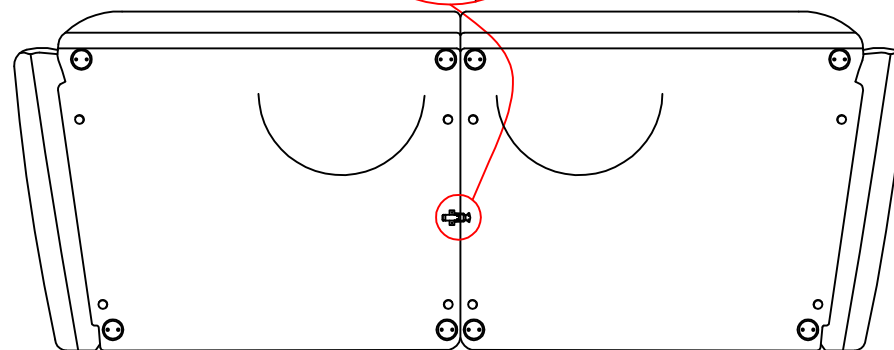
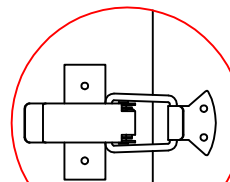


注：靠包背面要粘贴上4分双勾么术布条 70cm  
Note: The back of the bag should be pasted with a 4-cent double hook cloth 70cm

组合 Combination

2-2

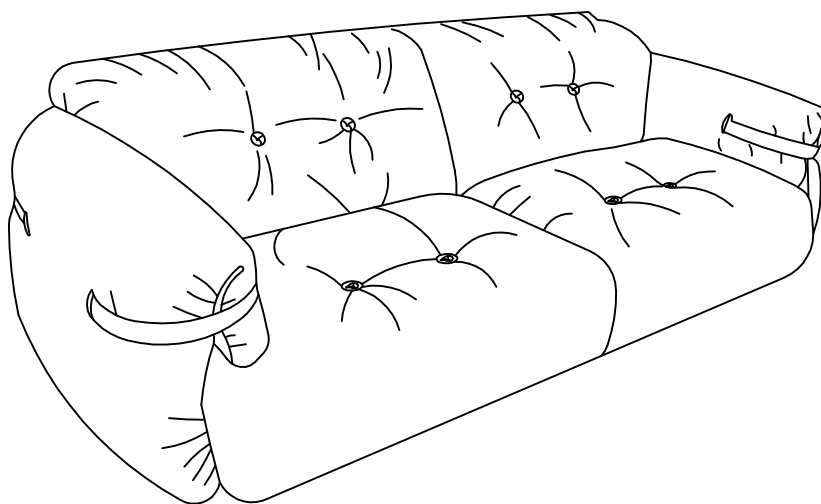
挂扣  
Hook



把左单人、右单人靠一起，锁上座架底的五金扣。  
Put the Individual (L) and the Individual (R) together,  
and lock the metal buckle at the bottom of the seat frame.

组合图 Combination

左单人+右单人 Individual (L) + Individual (R)



\*该产品为定制产品，座深尺寸为60-70CM