

LINSY 林氏家居

安装示意图/Assembly Instruction

产品名称 Model NO. S047#-布沙发/The cloth of sofa

产品规格 Specification 双扶手三人 Double armrests for three people

尺寸组合 Combined size 1550*800*700mm

成品部件明细 Product Parts Details	编号 NO.	名称 Name	规格 Specification	数量 QTY	材质 Material
1	双扶手三人 Double armrests for three people	1550*800*700mm	1	实木+夹板+海绵+布料 Solid wood + Plywood + Sponge +memory foam+ Fabric	
2					

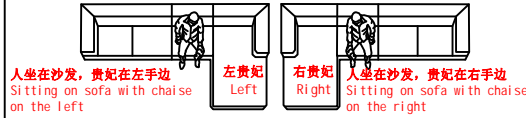
制图 Draw C16

配件表 Accessories list

编号 NO.	名称 Name	图示 Picture	数量 QTY	双扶手三人 Double armrests for three people
A	说明书(含安装图) Mounting Instruction (with drawing)		1	1
B	自攻螺丝-M4*25 Self-tapping screw-(M4*25mm) colored zinc		4	4
C	脚-(155*78*50mm)橡胶木原木色沙发脚 Feet -(155*78*50mm) Rubber wood original wood color sofa feet		4	4
D	M10外六角螺母 Hexagon nuts M10 outer		4	4
E	铁片-沙发脚连接铁片(椭圆孔) Iron sheet - Sofa foot connection iron sheet (oval hole)		4	4
F	胶塞-9厘透明防滑PVC脚垫 Rubber plug -9 cm transparent non-slip PVC footpad		4	4
G	斜边内六角螺栓-M8*20 Oblique hexagon socket screw -M8*20		16	16
H	斜边内六角螺栓-M6*30 Hexagon socket screw with bevel -M6*30		16	16
I	内六角扳手-5mm Hexagon socket wrench -5mm		1	1
J	内六角扳手-4mm Hexagon socket wrench -4mm		1	1
K	V形插扣 V plug buckle		4	4
L	(直径30*106mm)通用铁中脚 (diameter 30*106mm) universal iron center foot		1	1
M	白色魔术布条1卷(35米) White Magic Strip 1 roll (35m)		1	1
N	M8*45全牙螺杆 M8*45 full screw		1	1

如何区分沙发的左右方向?
How to distinguish the left and right direction of the sofa?

(图示仅供分辨方向用/Pictures are for orientation only)



安装人数
Installer



充电式手电钻Cordless hand drill

或者Or



十字螺丝刀Phillips screwdriver

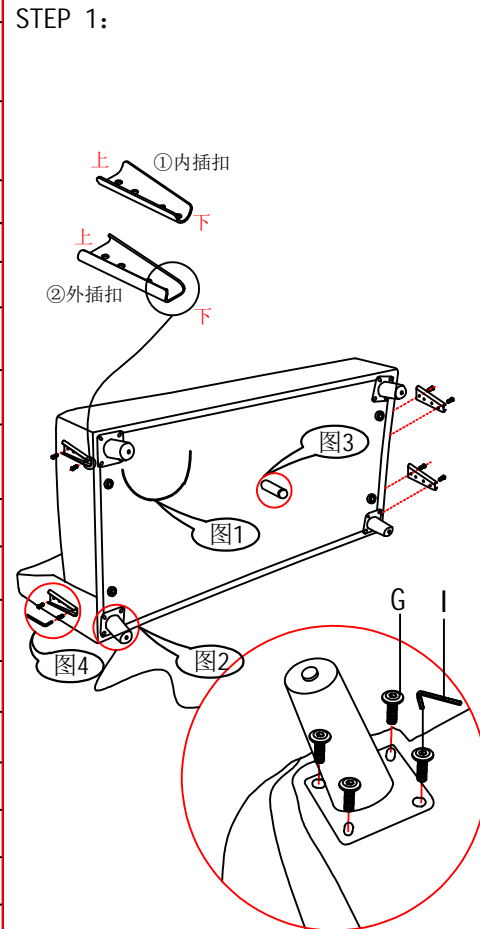
客户安装前须知:

Customers need to know before installation:
此安装图为“双扶手三人”的位置关系。
This installation picture is "Double armrests for three people"

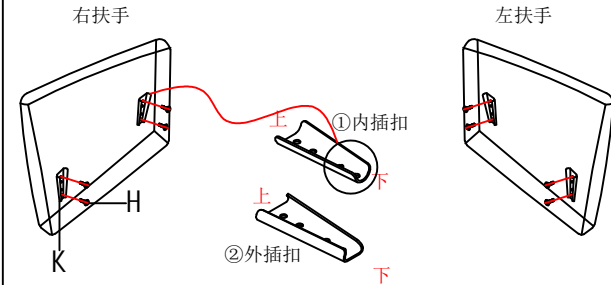
1-1

双扶手三人 Double armrests for three people

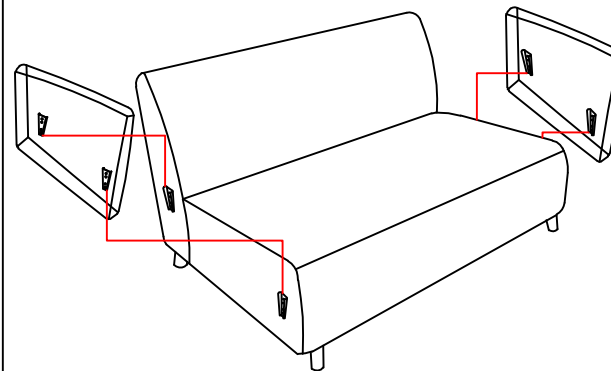
STEP 1:



STEP 2:



STEP 3:



※该产品为定制产品,座深为60cm-70cm
※The product is customized with a seat depth of 60cm-70cm

图1: 拉开拉链, 取出配件箱

Figure 1: Unzip the accessory case

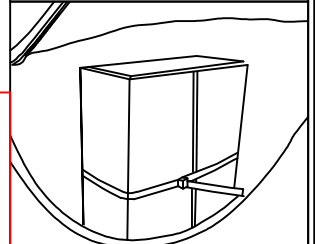
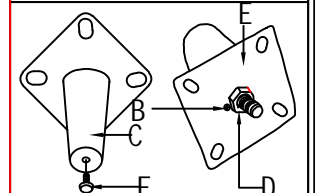


图2: 边脚安装示意图

Figure 2: Side foot installation diagram



木脚弧度顶端对准连接铁片的角
The top of the foot arc is aligned with the angle connecting the iron plate

图3: 中脚安装示意图

Figure 3: Middle foot installation diagram

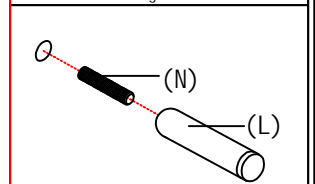


图4: 插扣安装示意图

Figure 4: Schematic diagram of plug-in installation

