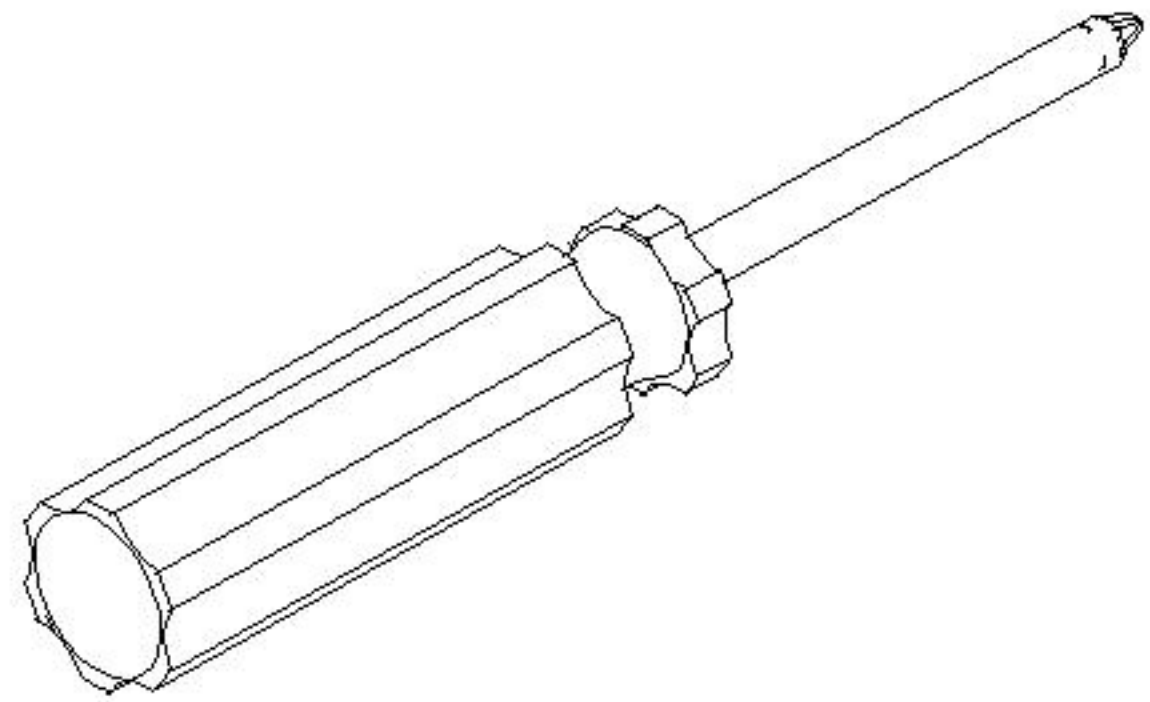
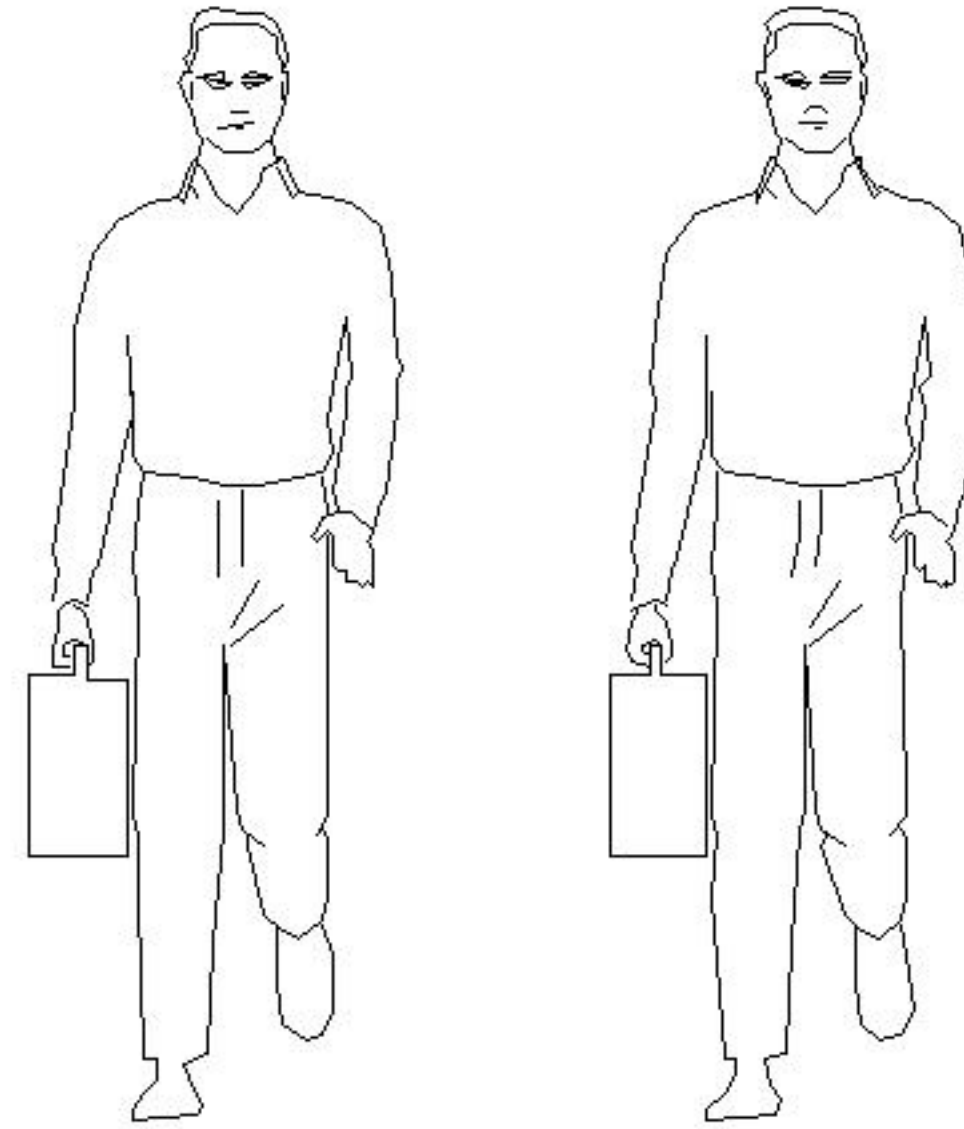


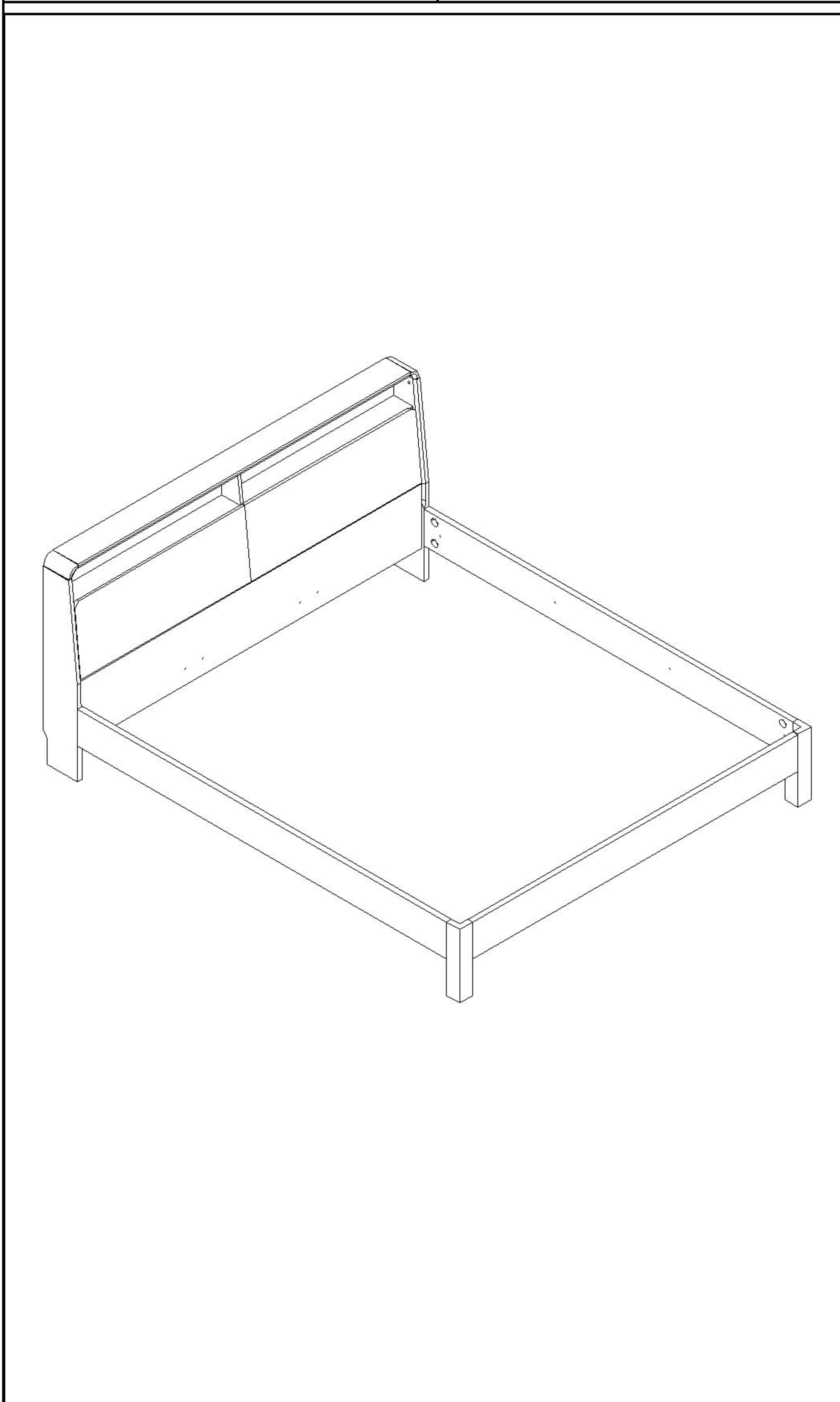
LINSY 林氏家居

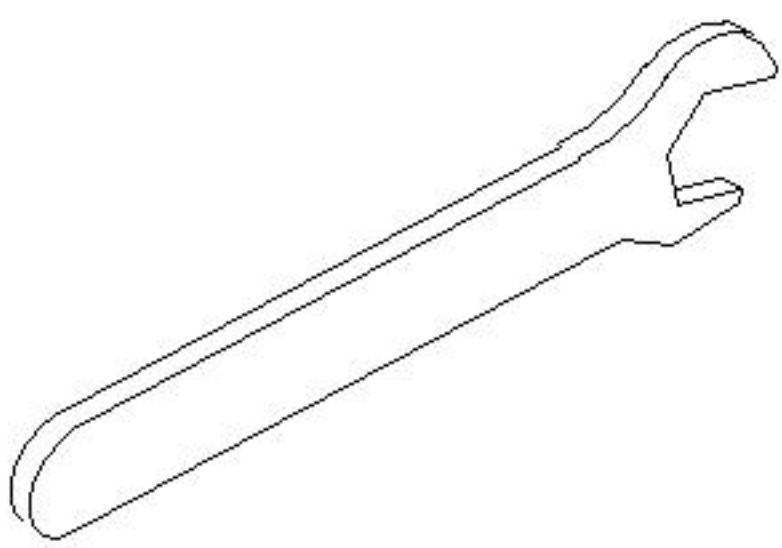
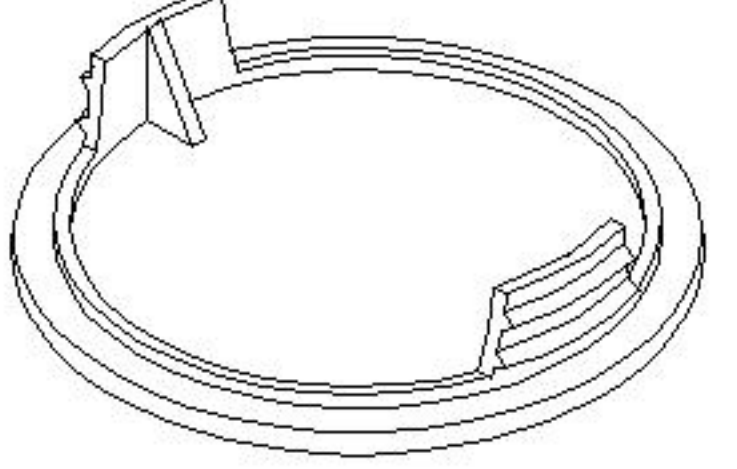
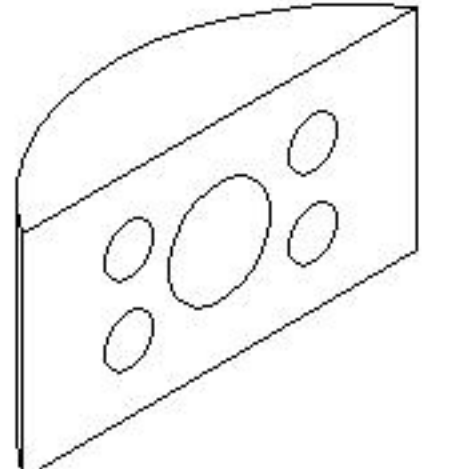
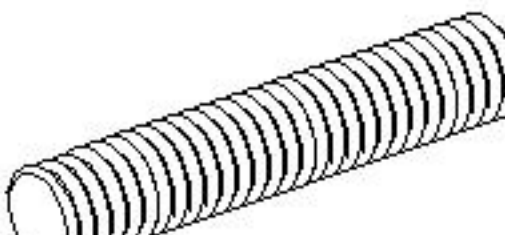
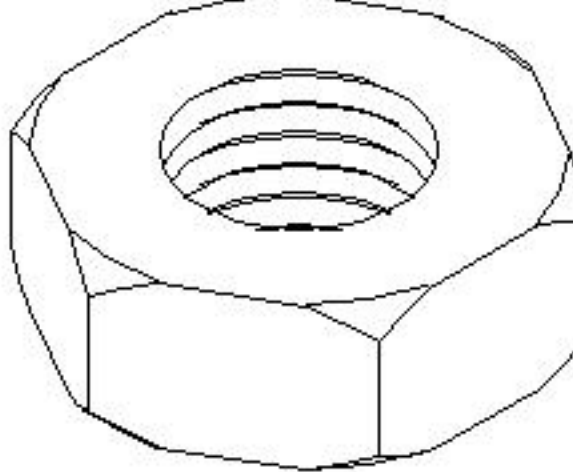
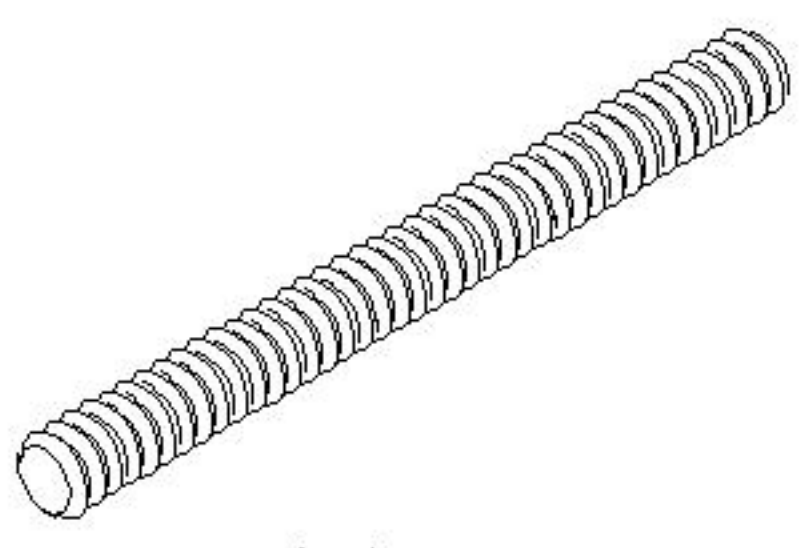
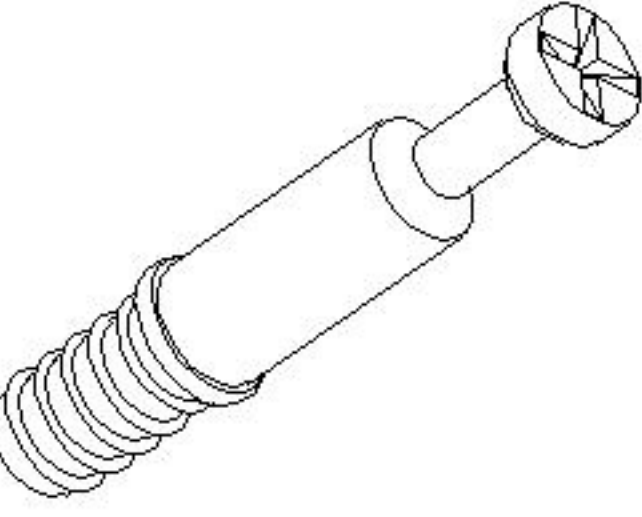
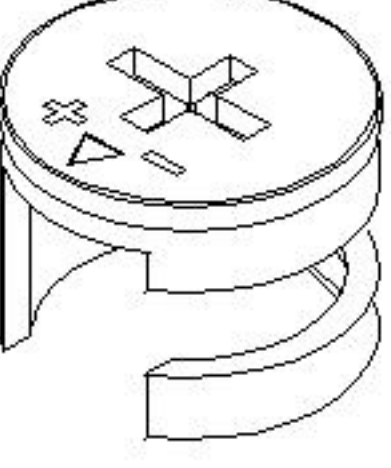

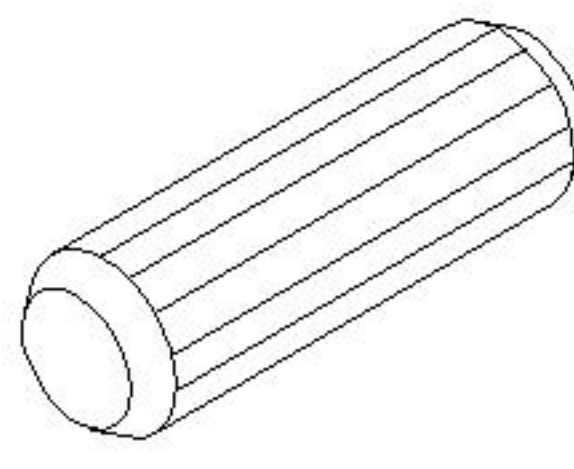
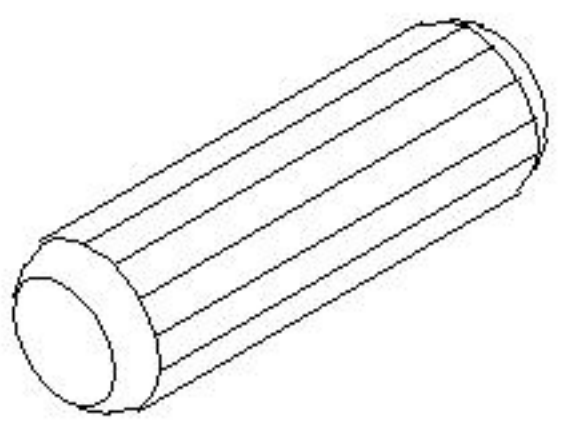
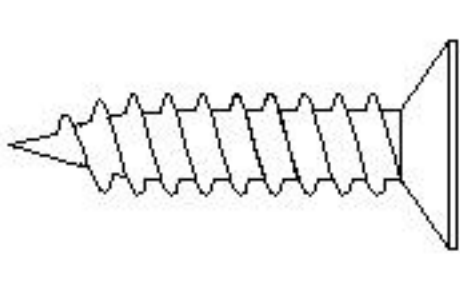

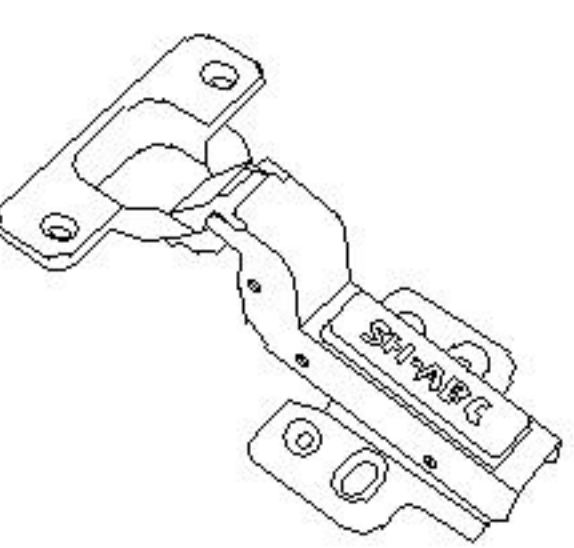
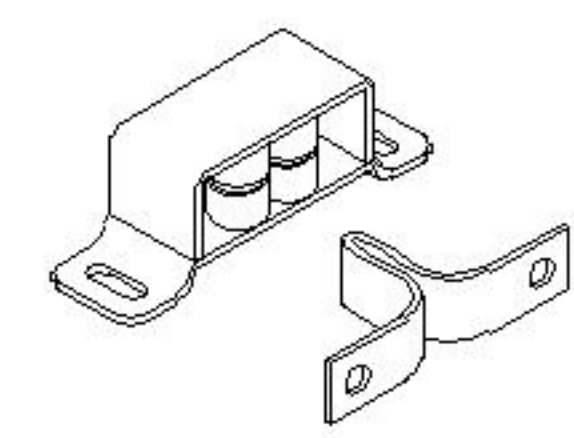
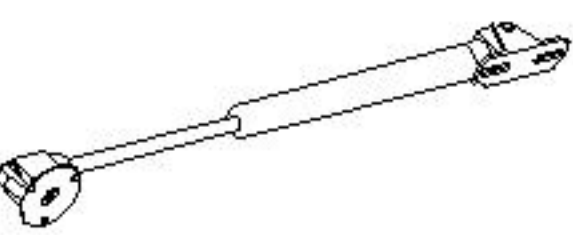
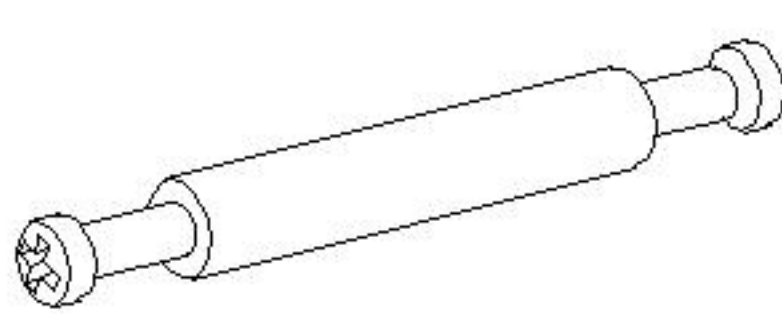
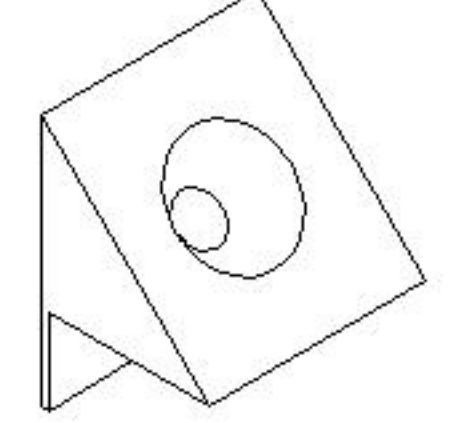
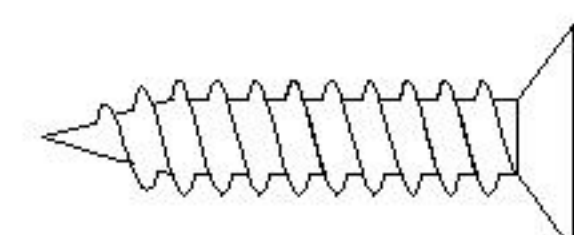
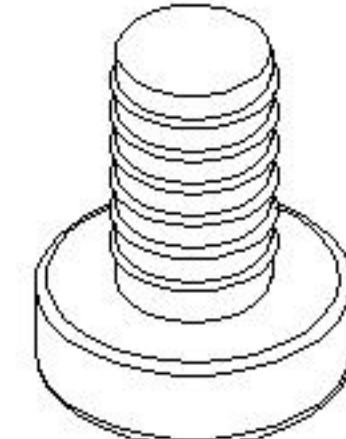
五金表/Hardware list

部件表/Parts List

安装示意图/Assembly Instruction

| | |
|---|---|
| 产品名称 Model NO. | AU1A-A(1.8m) |
| 产品规格 Specification | 2205*1862*985mm |
| 安装工具 Tool | 安装人数 Installer |
|  |  |

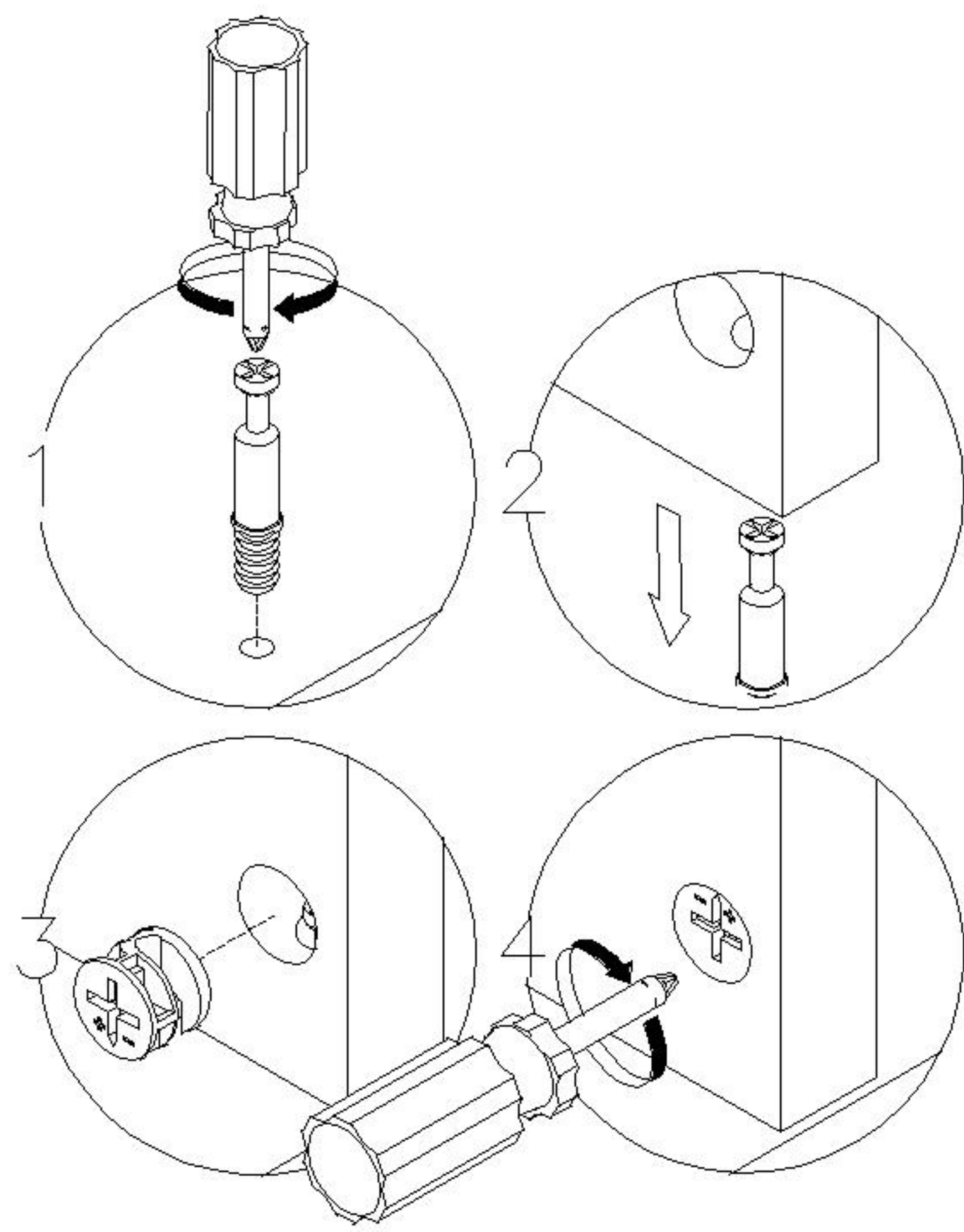


| | | | |
|---|--|--|---|
|  (A)*1 开口扳手-14mm Open Wrench |  (B)*12 五合一孔盖 5-in-1 cover |  (C)*12 五合一月牙-M8 5-in-1 screw |  (D)*8 全牙螺杆-(M8*80mm) Full thread screw |
|  (E)*12 外六角螺母-M8 Hexagon Nut |  (F)*4 全牙螺杆-(M8*100mm) Full thread screw |  (G)*25 二合一螺杆 2-in-1-screw |  (H)*29 大三合一锁饼 3-in-1 large lock |
|  (I)*4 锤母M8*15彩锌 Hammer nut |  (J)*13 木榫Ø10x40mm Wood tenon |  (K)*4 木榫Ø8x30mm Wood tenon |  (L)*55 白攻螺丝M3.5*12mm Tapping screw |
|  (M)*8 小角码-(14*21*1.5mm) Small bracket |  (N)*4 缓冲门铰大弯-杯径Ø35 Great bend hinge |  (O)*4 门夹扣 Door clip |  (P)*4 气动杆 Pneumatic rod |
|  (Q)*2 双头三合一螺杆 Double head 3-in-1 screw |  (R)*8 背板扣 White buckle |  (S)*8 白攻螺丝M3.5*16mm Tapping screw |  (T)*4 9厘透明防滑PVC脚垫 Rubber stopper |

| 编号NO. | 名称Name | 规格(mm) Specification | 数量QTY | 材质Material |
|-------|---|-------------------------|-------|--------------|
| ① | 床头左脚 Left foot of the head of the bed | 930*180*26 | 1 | 实木 Wood |
| ② | 床头右脚 Right foot of the head of the bed | 930*180*26 | 1 | 实木 Wood |
| ③ | 床头顶线 Headboard top strip | 1762*134*26 | 1 | 实木 Wood |
| ④ | 顶饰条1 Top trim bar 1 | 134*50*50 | 2 | 实木 Wood |
| ⑤ | 上层板 Upper shelf | 897.5*121*15 | 2 | 三胺板 Melamine |
| ⑥ | 下层板 Lower shelf | 1810*154*15 | 1 | 三胺板 Melamine |
| ⑦ | 中侧板 Middle side board | 480*154*15 | 1 | 三胺板 Melamine |
| ⑧ | 上背板 Upper back board | 906*158*5 | 2 | 三胺板 Melamine |
| ⑨ | 下背板 Lower back board | 324*906*5 | 2 | 三胺板 Melamine |
| ⑩ | 左门板 Door board (L) | 902*338*15 | 1 | 三胺板 Melamine |
| ⑪ | 右门板 Door board (R) | 902*338*15 | 1 | 三胺板 Melamine |
| ⑫ | 床头下节主板 main board of bed head bottom | 1810*296*15 | 1 | 三胺板 Melamine |
| ⑬ | 床尾主板 Bed tail Mainboard | 1722*168*25 | 1 | 三胺板 Melamine |
| ⑭ | 床尾脚 Bed tail foot | 336*70*70 | 2 | 实木 Wood |
| ⑮ | 床侧 Bedside | 1955*168*25 | 2 | 三胺板 Melamine |

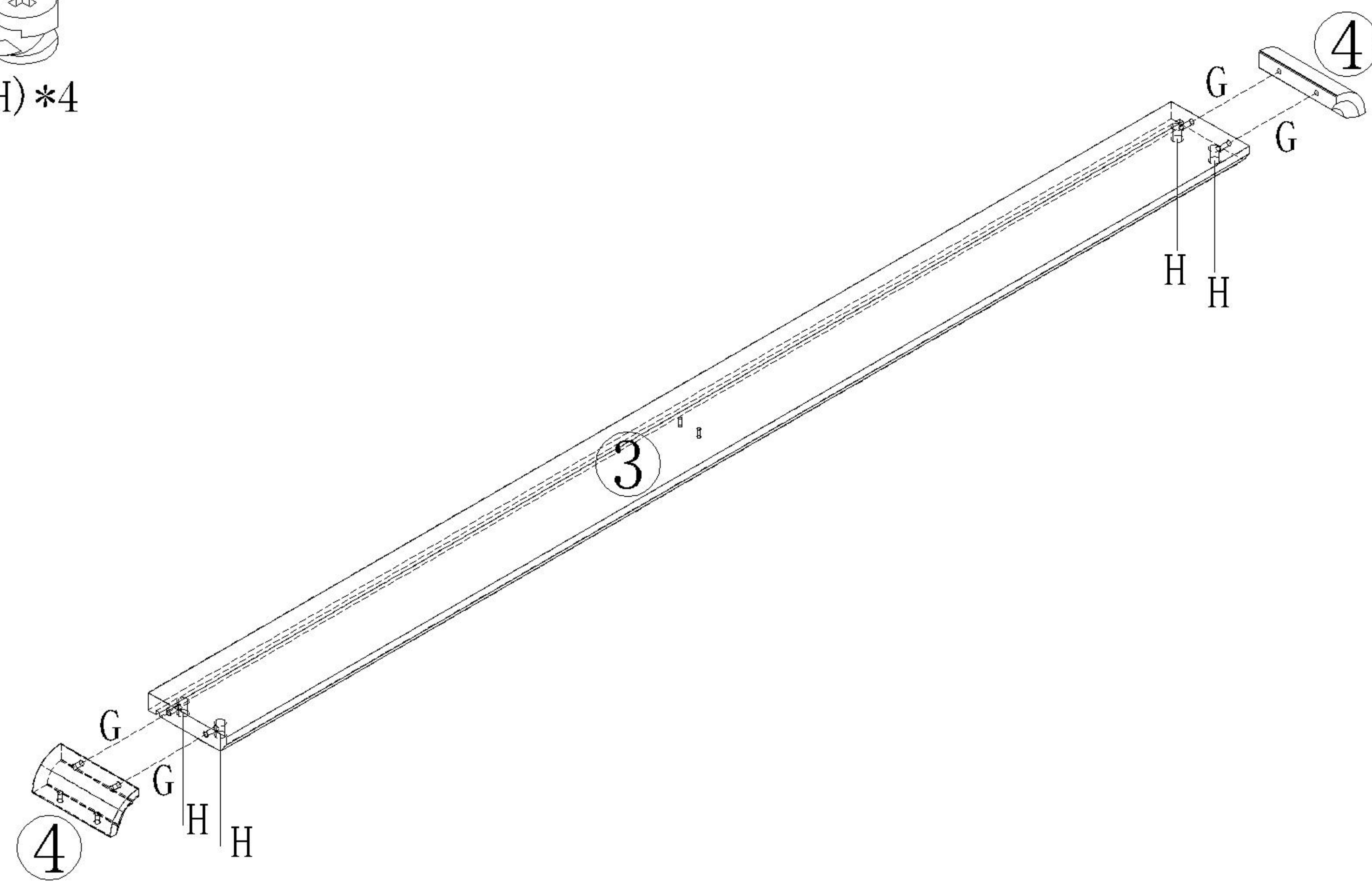
AU1A-A (1.8m)

安装方法/Installation method

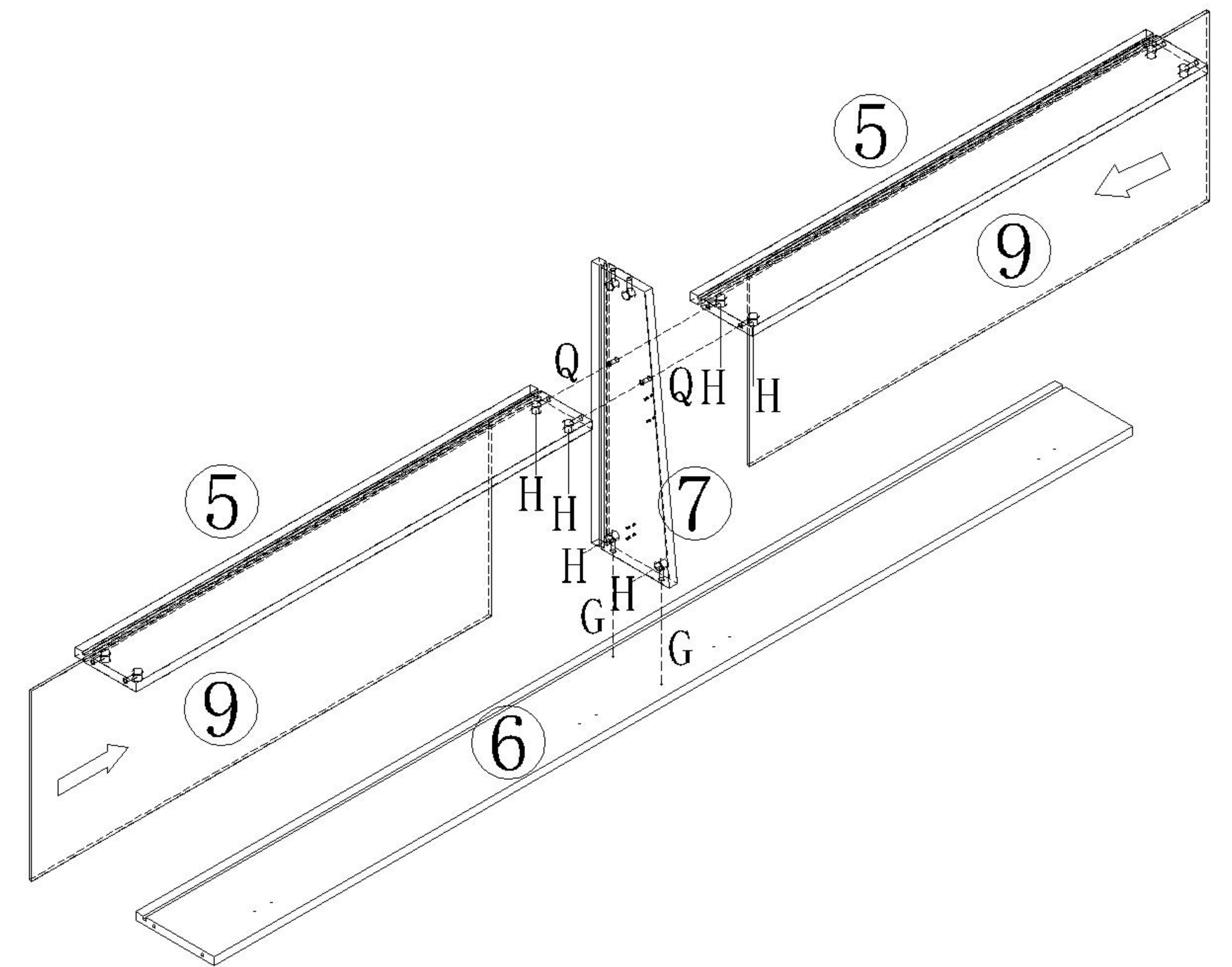


二合一 two-in-one

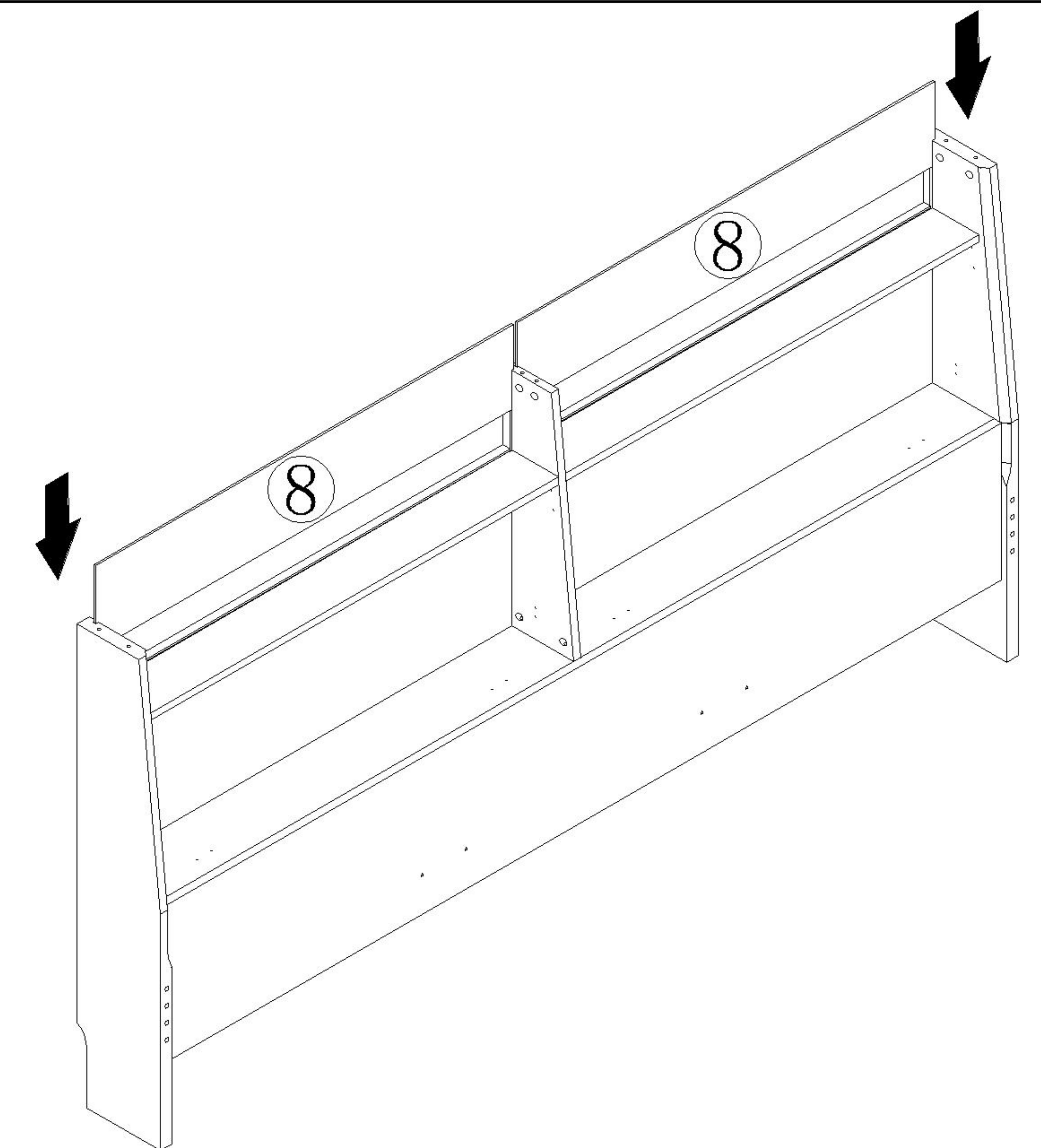
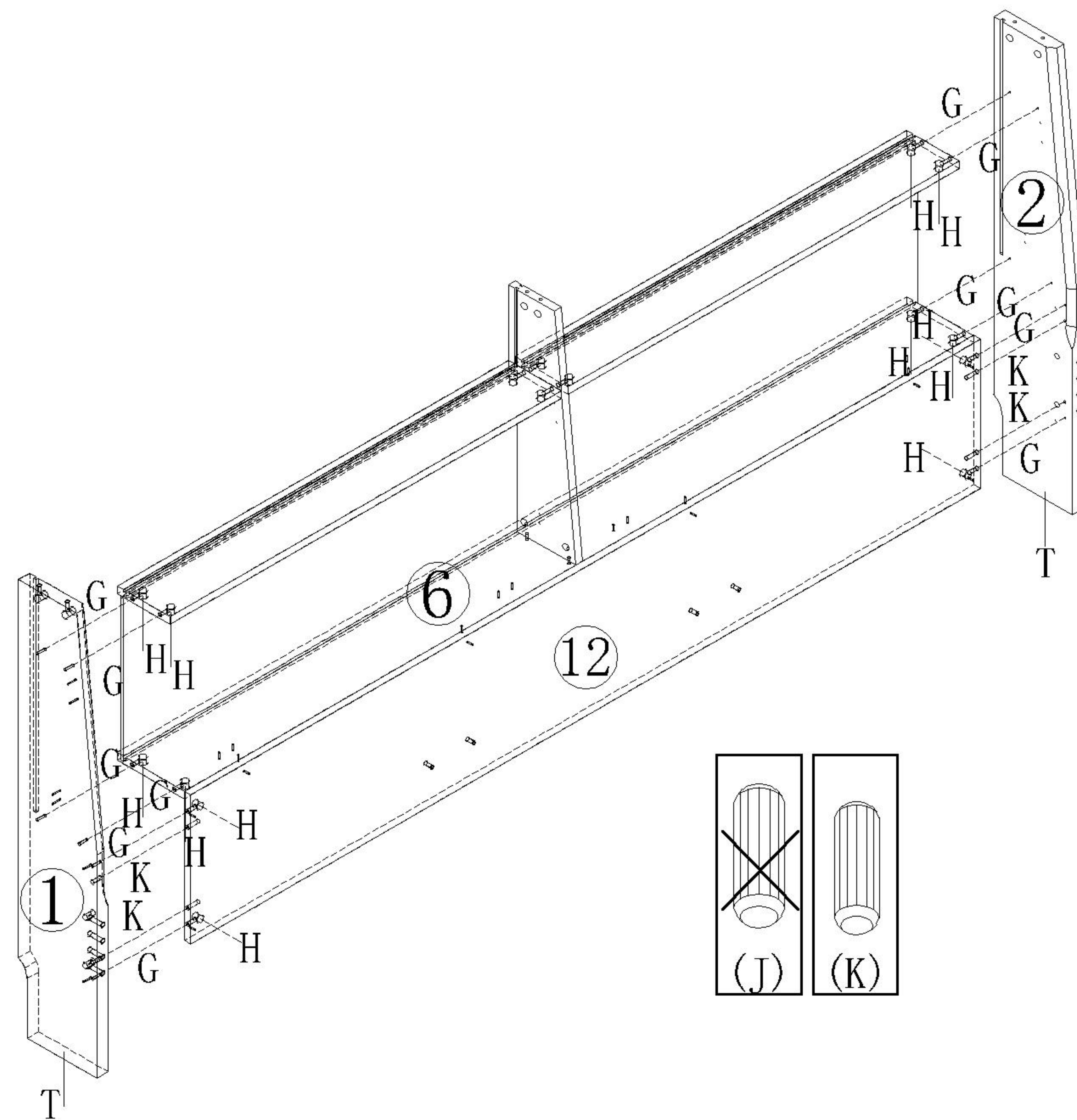
- (G)*4
- (H)*4



- (G)*2
- (H)*6
- (Q)*2

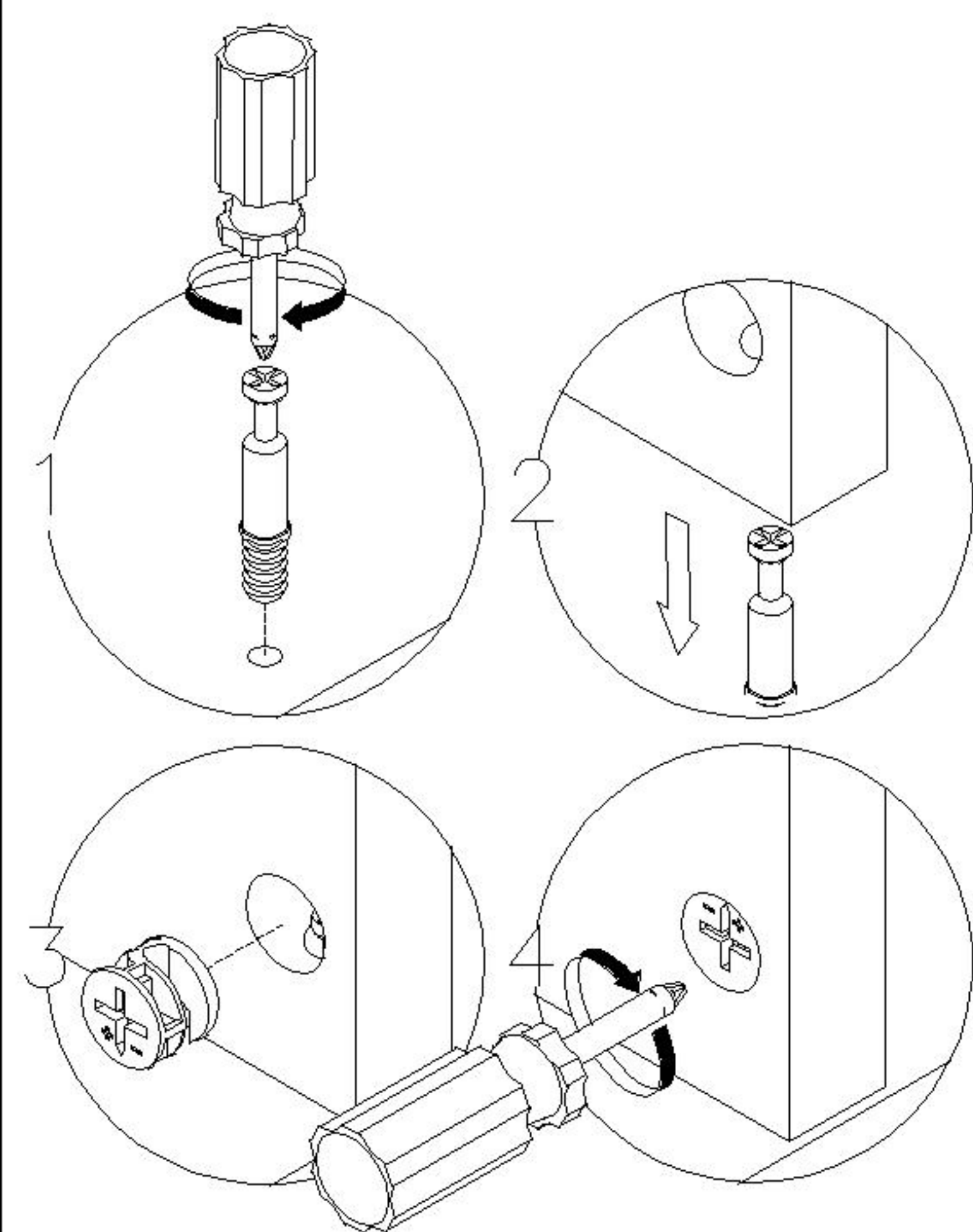


- (G)*12
- (H)*12
- (K)*4
- (T)*2



AU1A-A(1.8m)

安装方法/Installation method

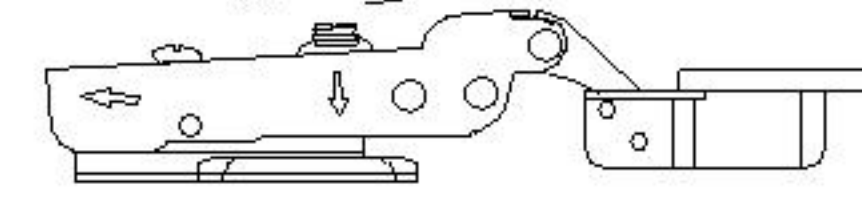


二合一 two-in-one

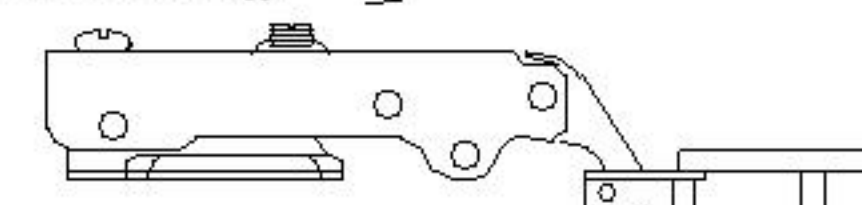
大弯big bend



中弯middle bending

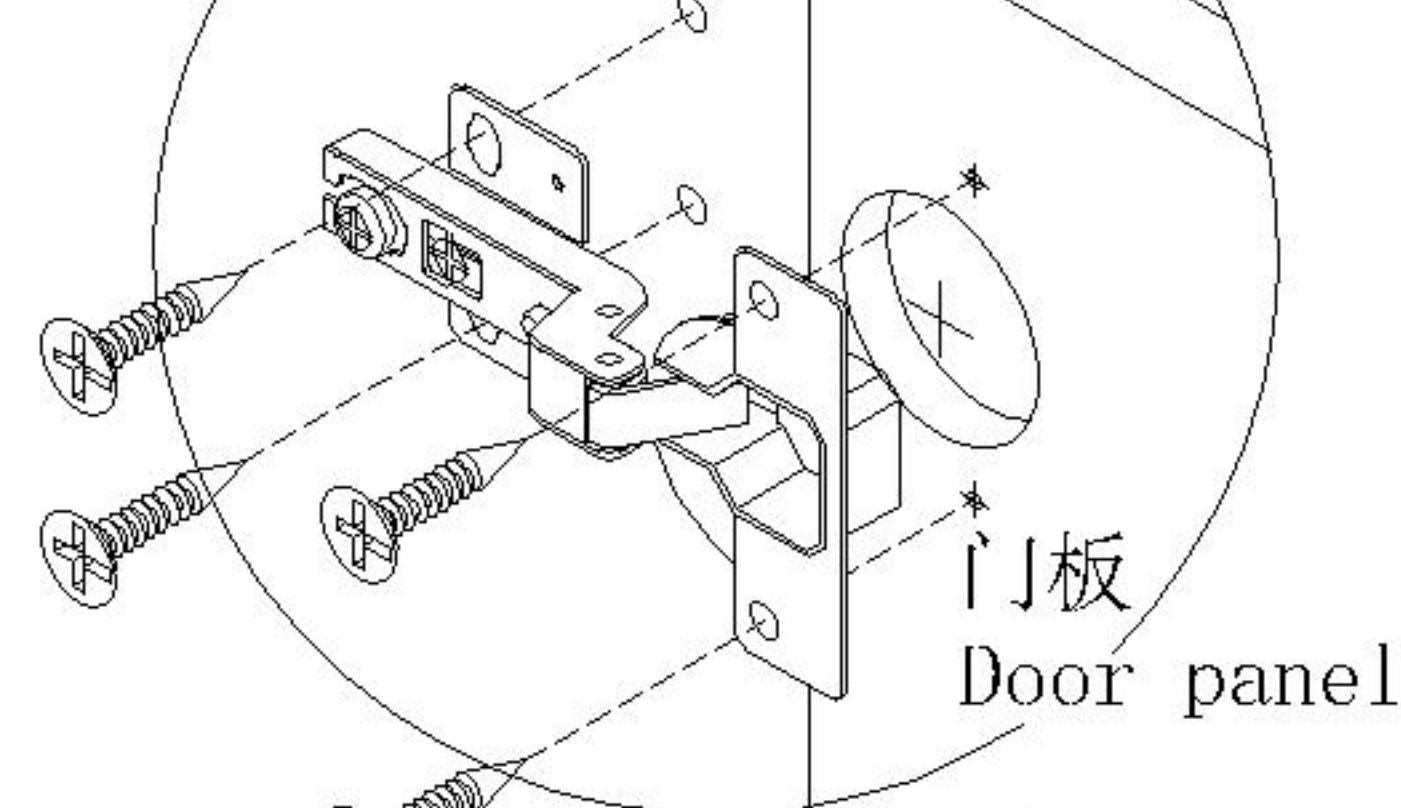


直弯straight bending



侧板

side board



门板

Door panel

调节上下

Adjust up and down

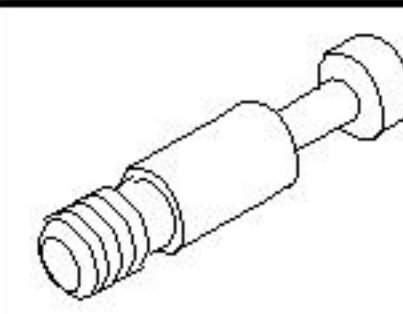
调节左右

Adjust left and right

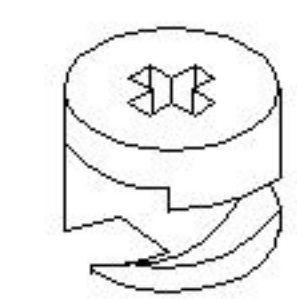
调节前后

Before and after adjustment

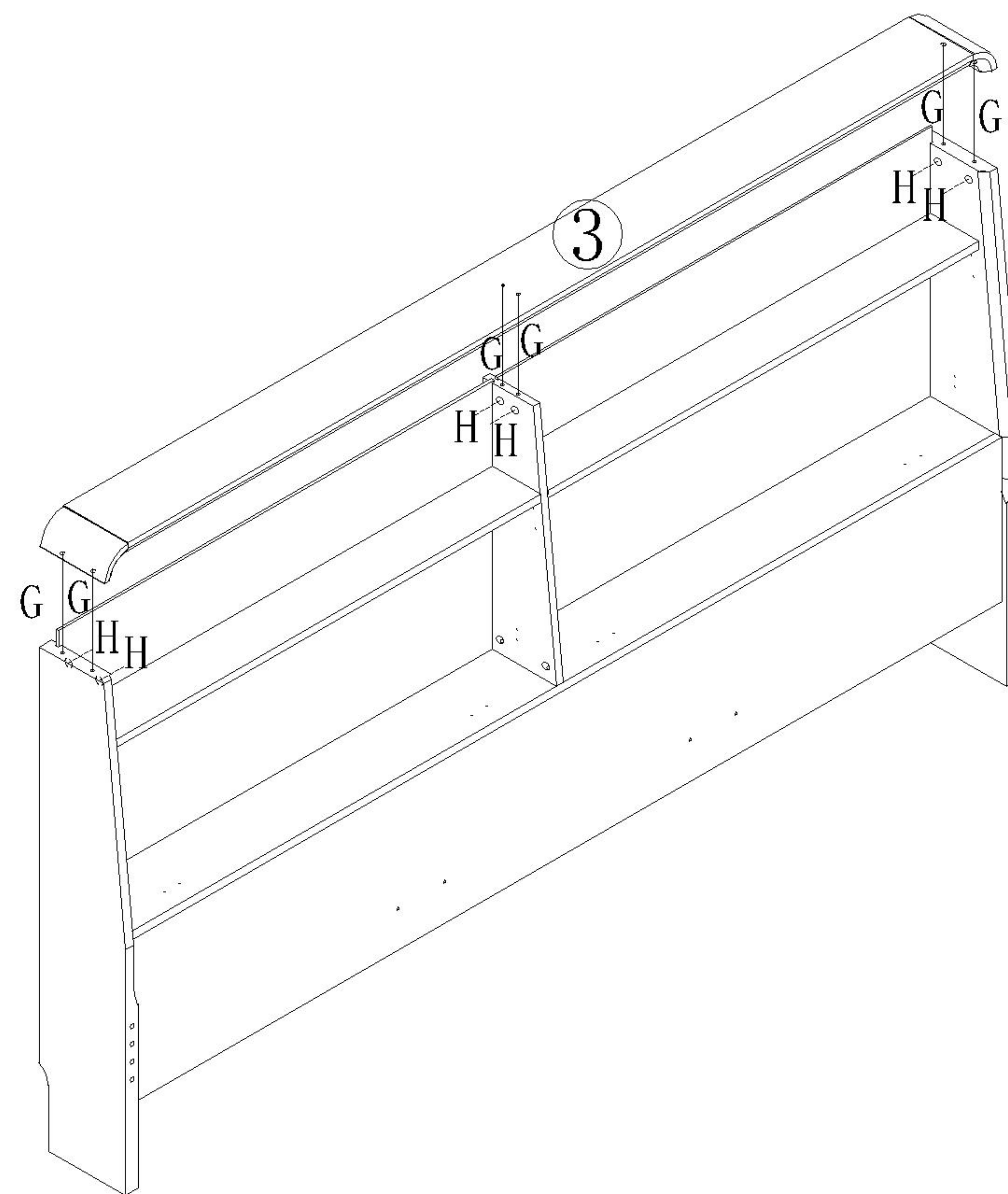
门铰Hinge



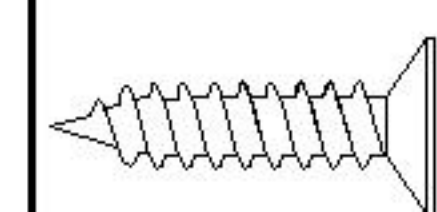
(G)*6



(H)*6



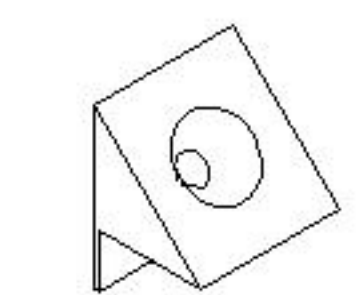
5



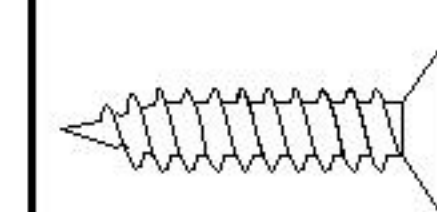
(L)*16



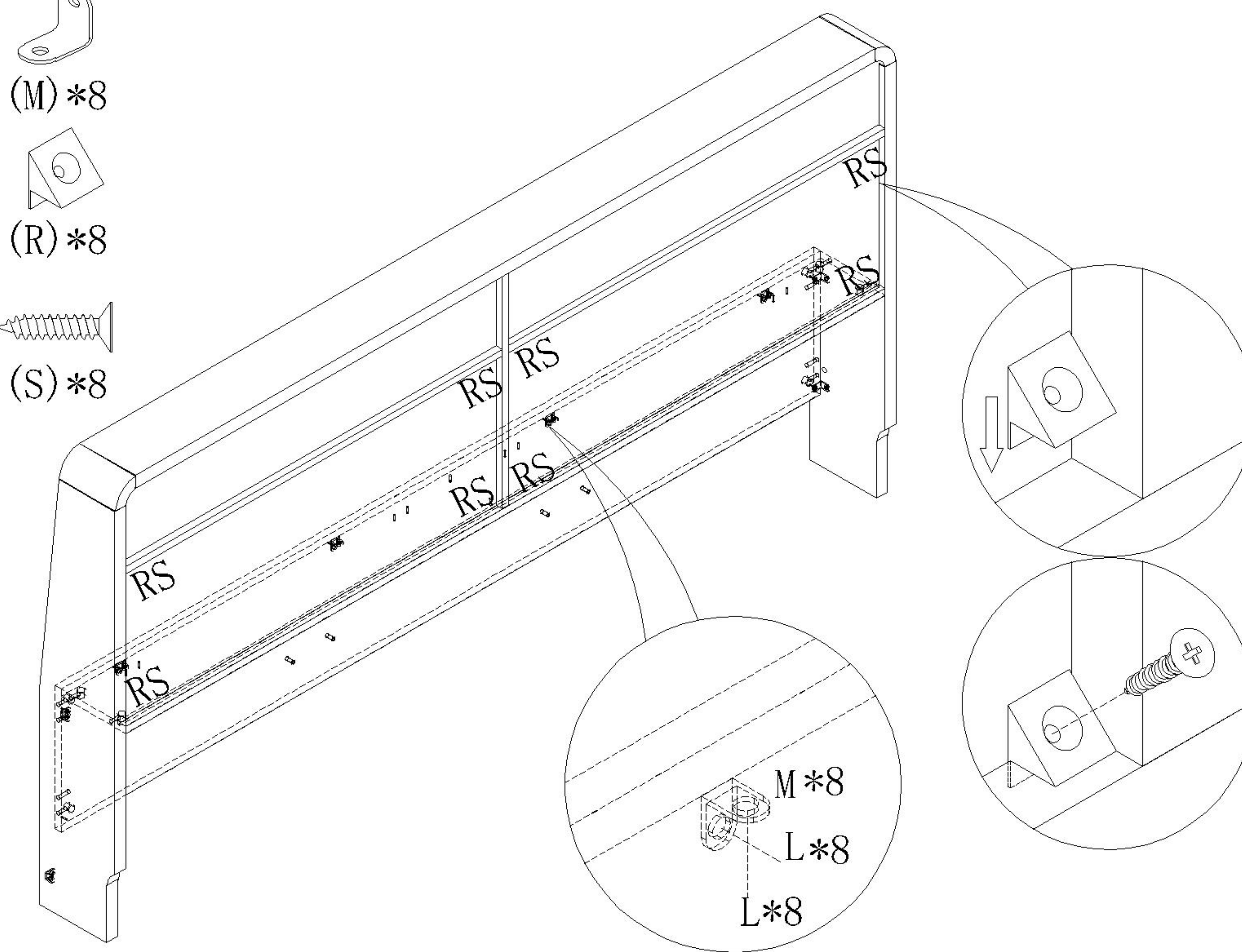
(M)*8



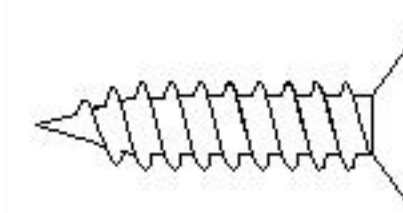
(R)*8



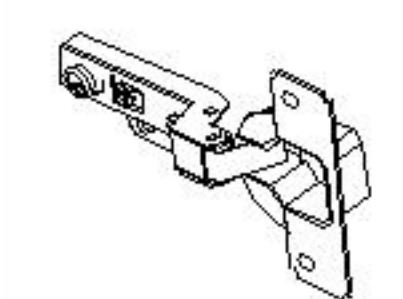
(S)*8



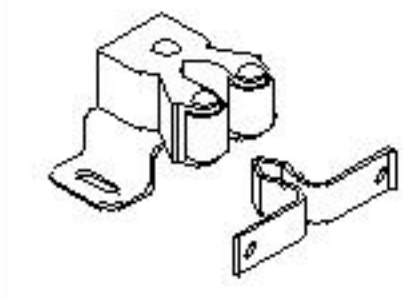
6



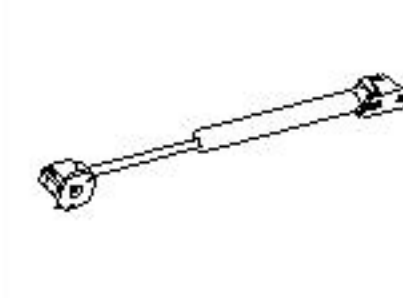
(L)*36



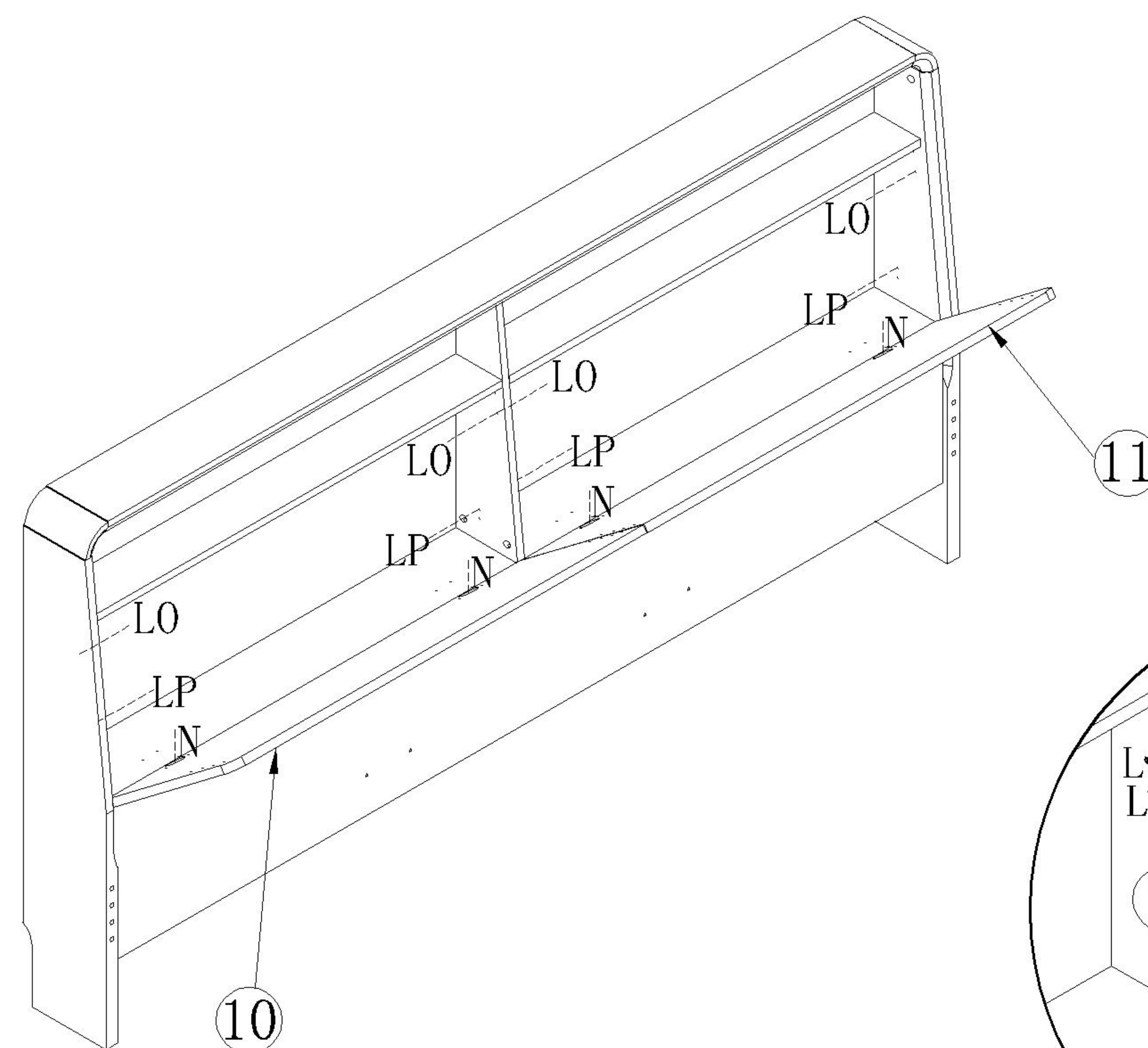
(N)*4



(O)*4



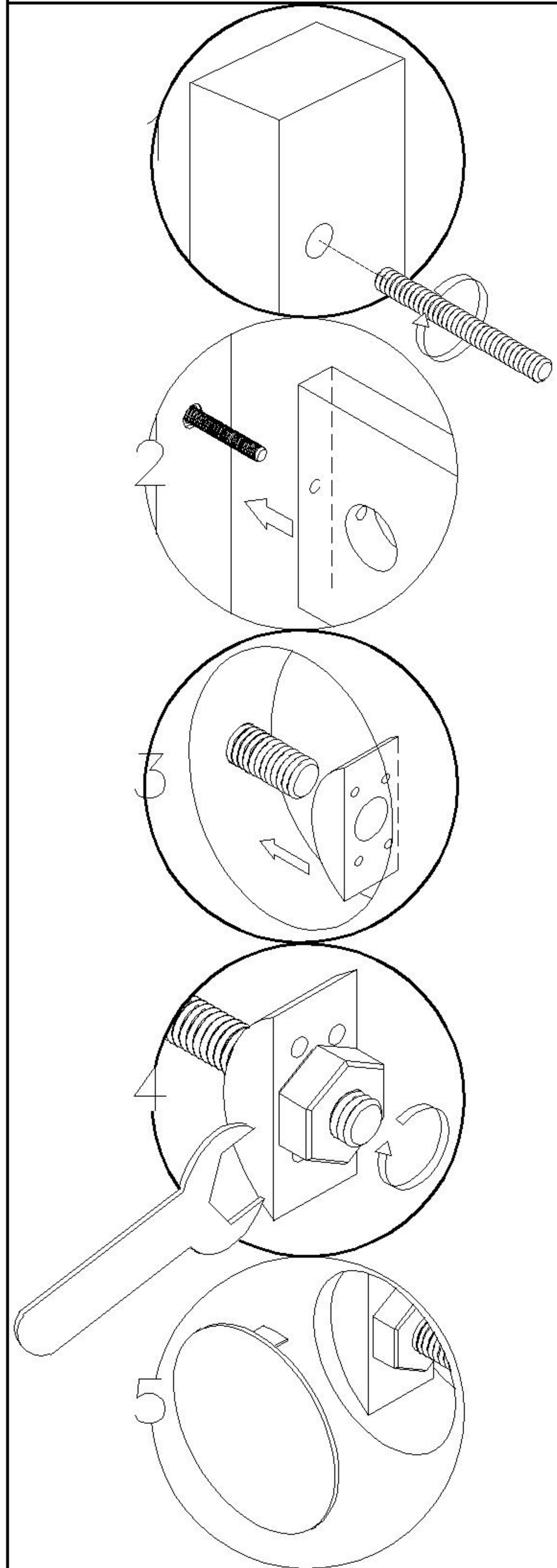
(P)*4



7

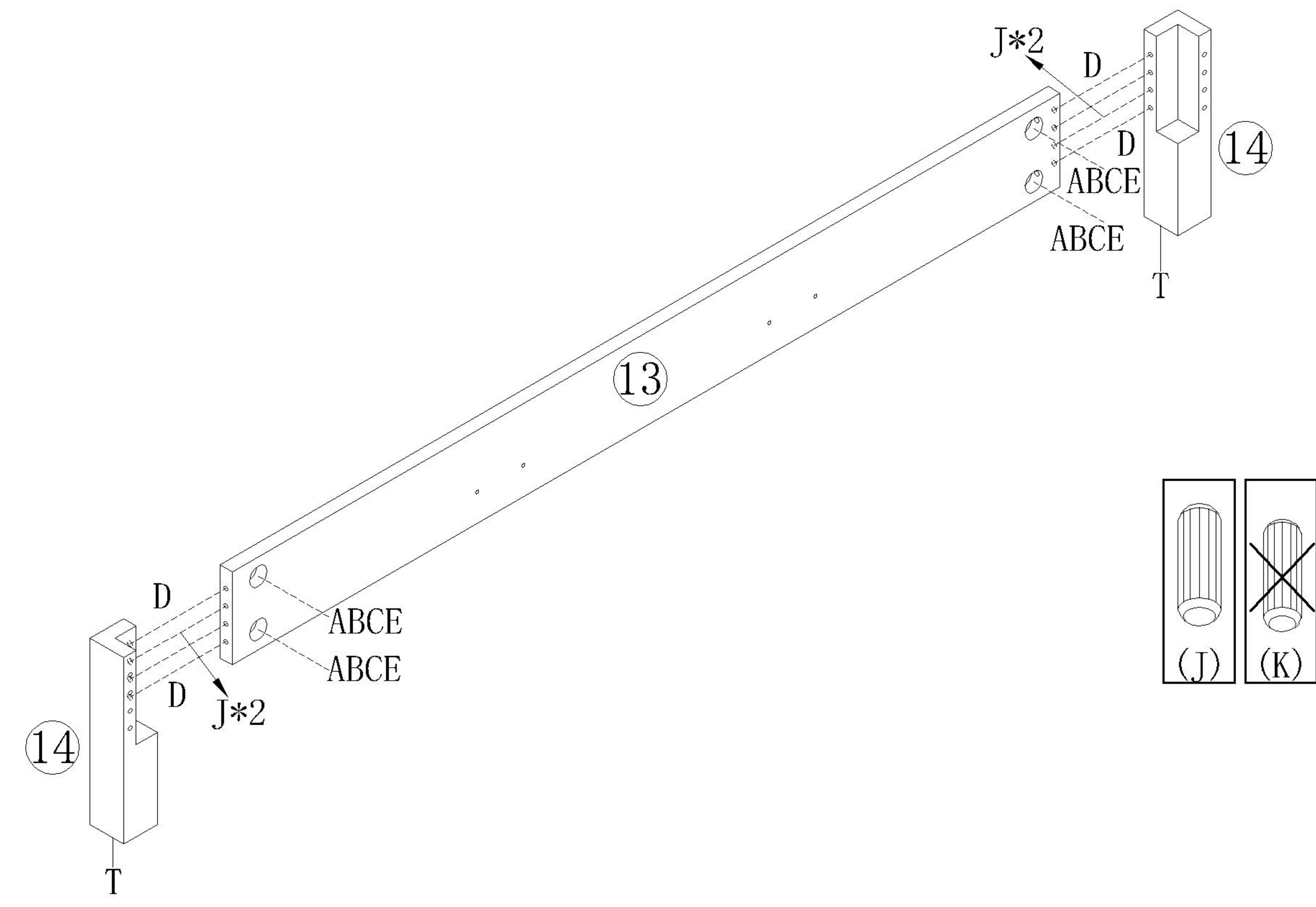
AU1A-A (1.8m)

安装方法/Installation method



五合一/5 in 1

- (A)*1
- (B)*4
- (C)*4
- (D)*4
- (E)*4
- (J)*4
- (T)*2



- (A)*1
- (B)*8
- (C)*8
- (D)*4
- (E)*8
- (F)*4
- (J)*8
- (I)*4

