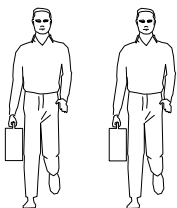



# LINSY林氏家居

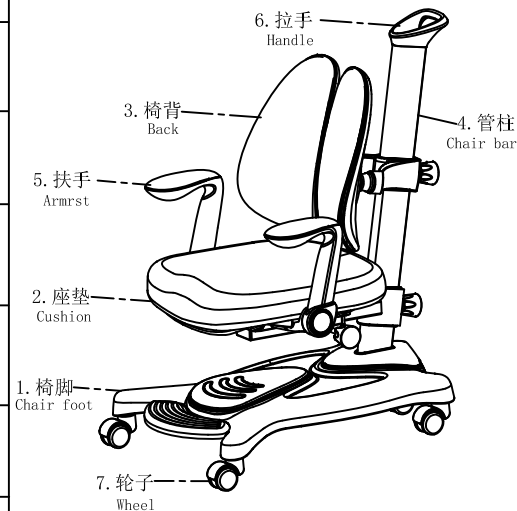
## 部件表/Parts list

### 安装示意图/Assembly Instruction

产品名称 Model NO	LH006W2-A/B/C
产品规格 Specification	735*540*750 (990)mm
安装工具 Tool	安装工具 Installers






编号 NO.	名称 Name	规格 Specification	数量 QTY	材质 Material
①	椅脚Chair foot 		1	塑胶 Plastic Cement
②	座垫Cushion 		1	三防布+定型棉+塑胶+五金 Three proof fabric+Plastic Cement+Hardware
③	椅背Back 		1	三防布+定型棉+塑胶 Three proof fabric +Plastic+Cement
④	管柱Chair bar 		1	五金 Hardware
⑤	扶手Armrest*L/R 		2	塑胶 Plastic Cement
⑥	推把Handle 		1	塑胶 Plastic Cement
⑦	轮子Wheel 		5	塑胶+五金 Plastic Cement+Hardware

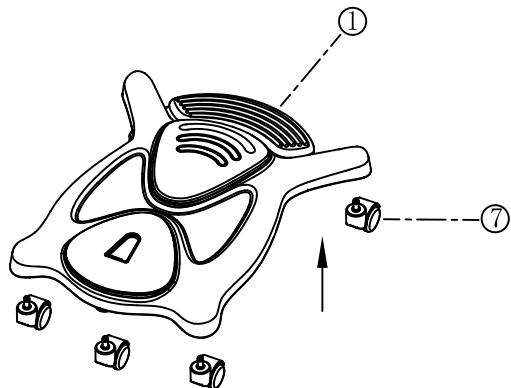


注意!只允许成人安装,儿童勿近。  
be careful! Adult only, keep away from children.

### 五金表/Hardware list

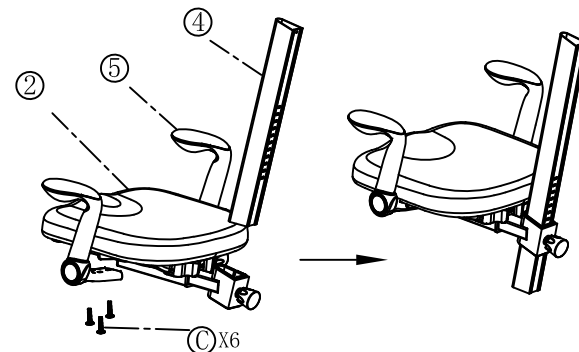
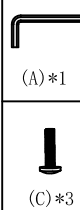
 (A)	 (B)	 (C)
内六角扳手X2 (M8+m6) Wrench*2 (M8+M6)	三孔铁片X1 弹垫X3 螺丝X3 (M8*40) Iron sheet*1 Spring washer*3 Screw*3 (M8*40)	拉手螺丝X1 (M3. 5*12) 扶手螺丝X6 (M6*40) Handle screw*1 (M3. 5*12) Armrest screw*6 (M6*40)

### 安装方法/Installation method



将5个轮子插入到椅脚的孔位上并且用力插紧到位, 如下图所示!

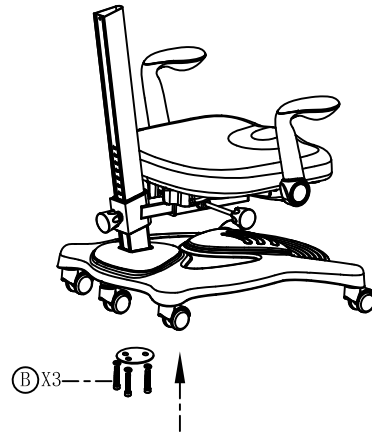
Insert the 5 wheels into the holes of the chair feet and firmly insert them in place, as shown in the following figure!



将左右扶手安装在坐垫上, 分别锁上三颗螺丝扭紧, 将管柱插入坐垫后, 上下滑动坐垫, 对准管柱上下调节孔位置, 听到卡嗒卡档声后, 拧紧调节钮, 如下图所示!

Install the left and right armrests on the seat cushion, lock three screws and tighten them respectively. After inserting the pipe column into the seat cushion, slide the seat cushion up and down, align with the position of the upper and lower adjustment holes of the pipe column, and tighten the adjustment knob after hearing the click sound, as shown in the following figure!

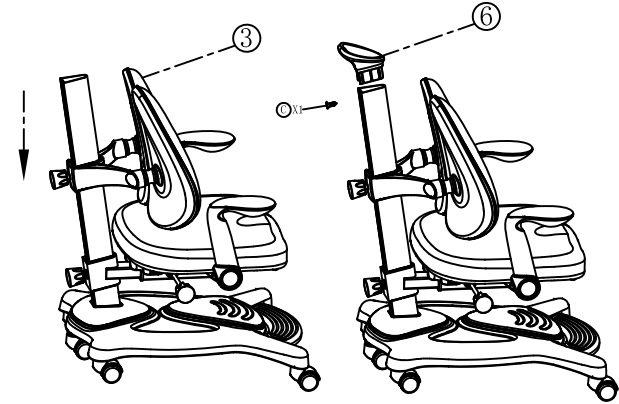
安装方法/Installation method



将座垫的大管柱插入到椅脚的孔位里对准后用2个螺丝对准贴片拧紧即可，如下图所示！

Insert the large tubular column of the seat cushion into the hole of the seat foot, align it and tighten it with 2 screws aligned with the patch, as shown in the following figure!

3



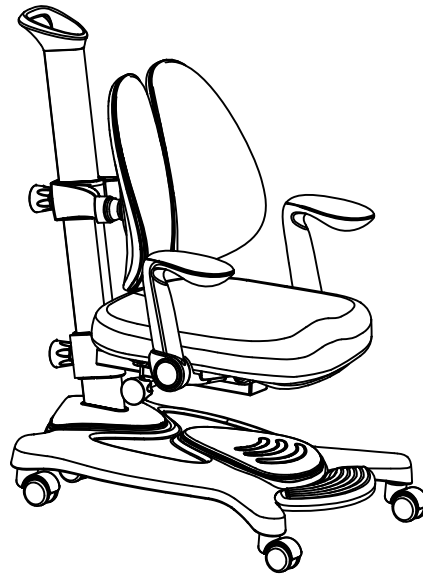
将旋钮放松后拔出一点后将靠背插入到管柱里后再适当拧紧旋钮并把推把装入管柱内并用自攻螺丝拧紧即可，如下图所示！

After loosening the knob, pull it out a little, insert the backrest into the pipe column, properly tighten the knob and install the push handle into the pipe column, as shown in the following figure!

4

到此已经安装完毕，请再次检查确认各部位是否全部拧紧到位即可！

Now the installation has been completed, please check again to confirm whether all parts are tightened in place!



使用说明！

Directions for use!

此旋钮放松后可将背靠调节升降达到您想要的高度后，适当拧紧旋钮锁定！

After this knob is loosened, you can adjust and lift the backrest to the height you want, and then properly tighten the knob to lock it!

此旋钮放松后拔出一点可将座垫调节升降达到您想要的高度后，再向里压进去后适当拧紧旋钮锁定！

After this knob is loosened, pull it out a little to adjust the seat cushion to the height you want. Then press it in and tighten the knob properly to lock it!

此旋钮放松后座垫可以前后深度调节，达到想要的深度后适当拧紧旋钮锁定！

After this knob is loosened, the seat cushion can be adjusted back and forth in depth. When the desired depth is reached, properly tighten the knob to lock it!

