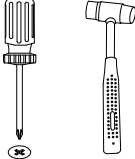
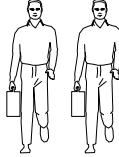


LINSY 林氏家居

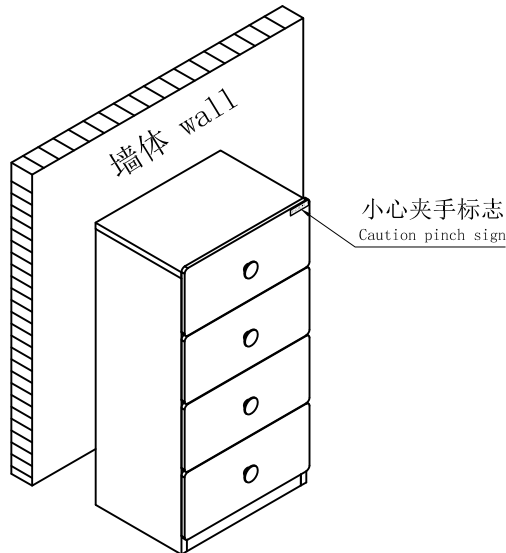
五金表/Hardware list

部件表/Parts List









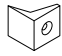

安装示意图/Assembly Instruction

产品名称 Model NO.	LS236E1-A
产品规格 Specification	580*433*1150
安装工具 Tool	安装人数 Installer
	

►注意! 只允许成人安装, 儿童勿近!
be careful! Adult only, keep away from children!



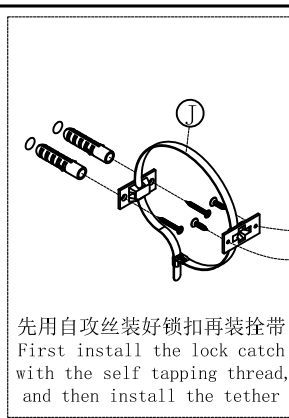
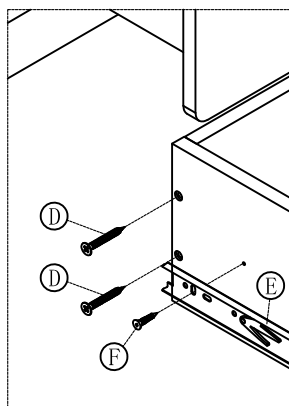
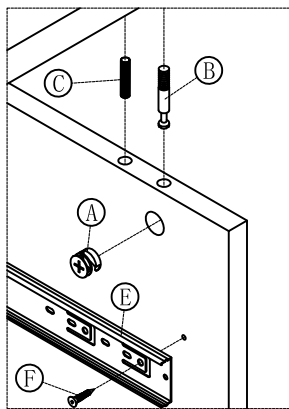
►注意! 床头背面需紧靠墙壁使用
be careful! The back of the headboard should be close to the wall

 (A)*58 三合一锁饼 Three in one lock cake	 (B)*58 二合一锁杆M7*35 Two in one locking rod	 (C)*9 木梢 ϕ 8*30 Woody shoot	 (D)*20 自攻螺丝M3.5*35 Self tapping screw
 (E)*4 12"三节滚珠滑轨 Three section ball slide rail	 (F)*62 自攻螺丝M3.5*15 Self tapping screw	 (G)*5 大扁头自攻丝M4*30 Large flat head self tapping	 (H)*5 脚垫 ϕ 22*3 Door mat
 (I)*10 背板扣 Back plate buckle	 (J)*2 防倒五金 Anti collapse hardware		

编号NO.	名称Name	规格 Specification	数量QTV	材质Material
①	底板 Baseplate	529*398*25	1	三胺板 Triamine plate
②	脚条 Foot bar	529*60*25	2	
③	背拉条 Back brace	1024*80*15	2	
④	右侧板 Right side	1109*398*25	1	
⑤	中拉条 Middle brace	529*80*25	1	
⑥	左侧板 Left side	1109*398*25	1	
⑦	背板 Backplane	1034*379*5	1	
⑧	面板 Panel	580*398*25	1	
⑨	抽尾 Drawer tail	473*168*15	4	
⑩	抽屉左侧板 Drawer left	350*168*15	4	
⑪	抽屉右侧板 Drawer right	350*168*15	4	
⑫	抽屉底板 Drawer base plate	483*345*5	4	
⑬	抽面板 Drawer panel	579*271*15	4	
⑭	拉手 Handle	ϕ 60*20	4	

LS236E1-A

安装方法/Installation method



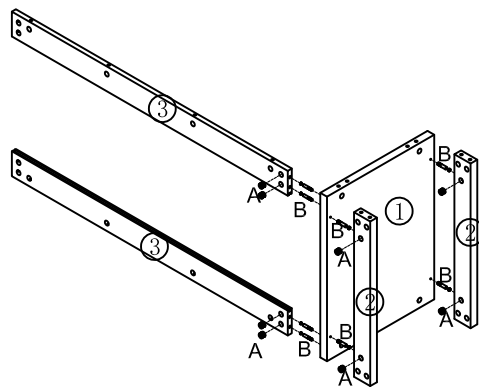
先用自攻丝装好锁扣再装拴带
First install the lock catch with the self tapping thread, and then install the tether



(A)*8



(B)*8



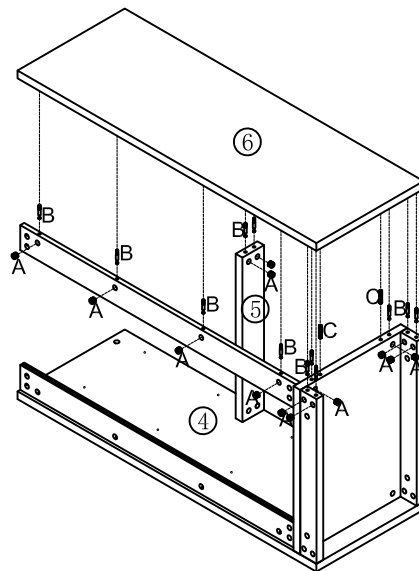
(A)*24



(B)*24



(C)*4



(A)*8



(B)*8



(C)*4



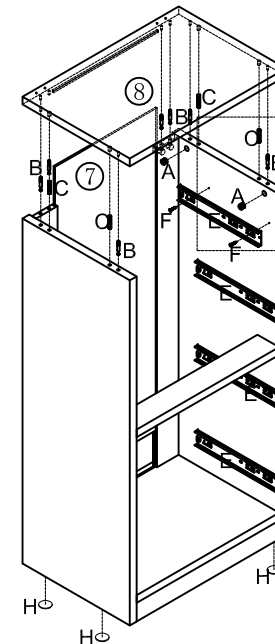
(E)*4



(F)*24



(H)*4



(A)*16 (G)*4



(B)*16



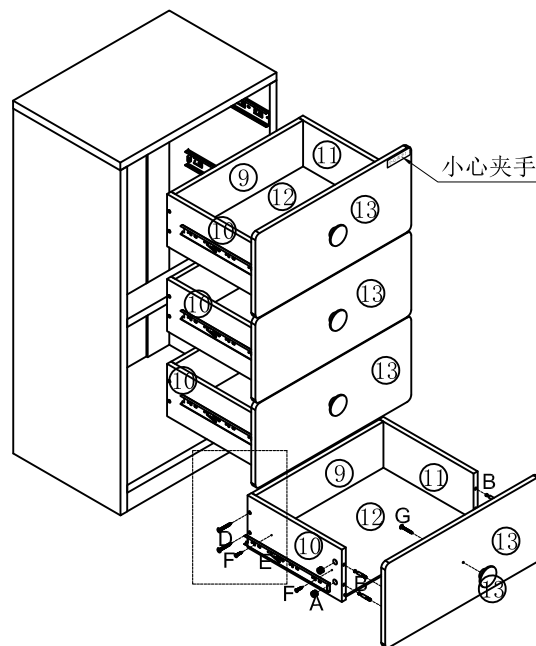
(D)*16



(E)*4



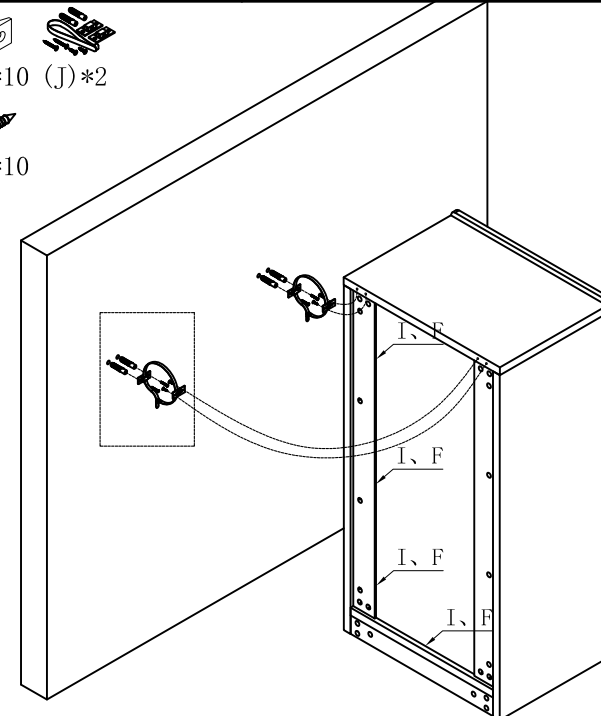
(F)*24



(I)*10 (J)*2



(F)*10



(A)*8



(B)*8



(C)*4



(E)*4



(F)*24



(H)*4



(I)*10 (J)*2



(F)*10



(D)*16



(E)*4



(F)*24