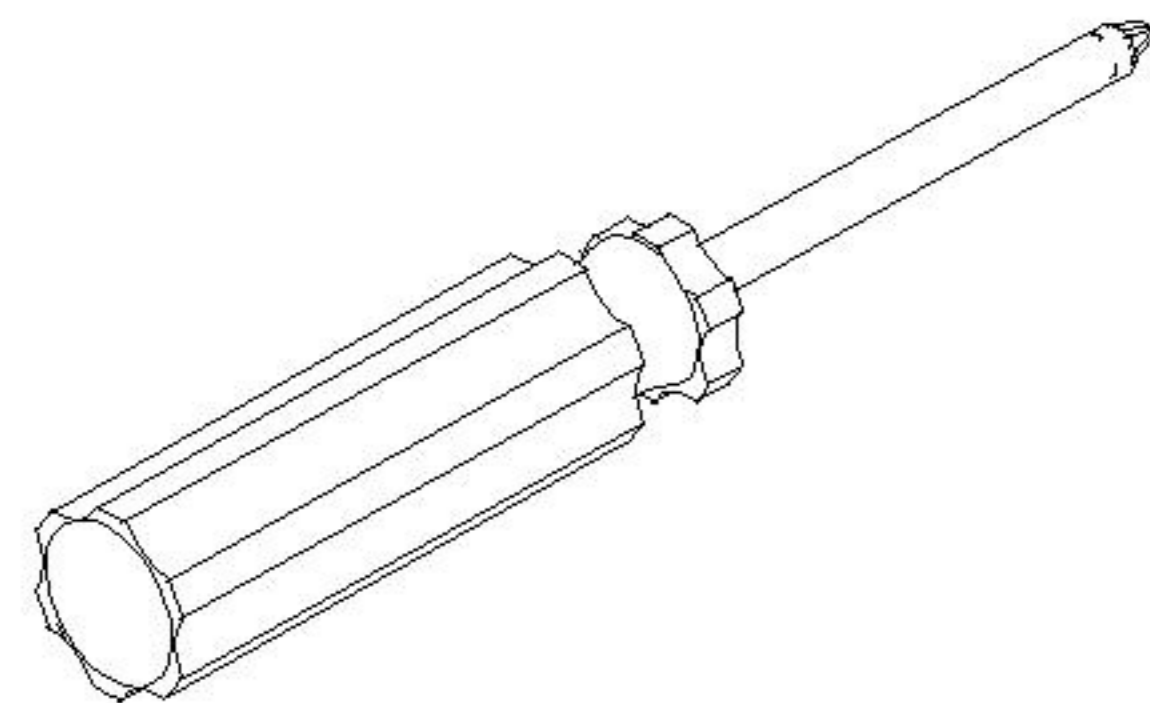
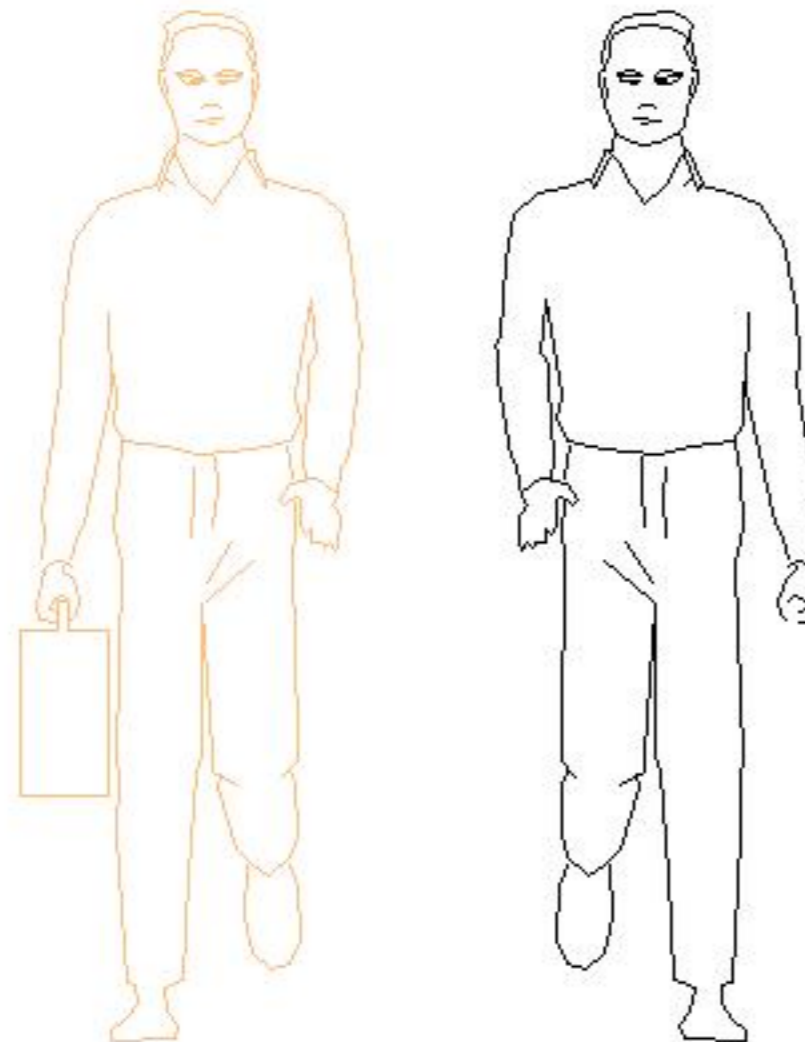
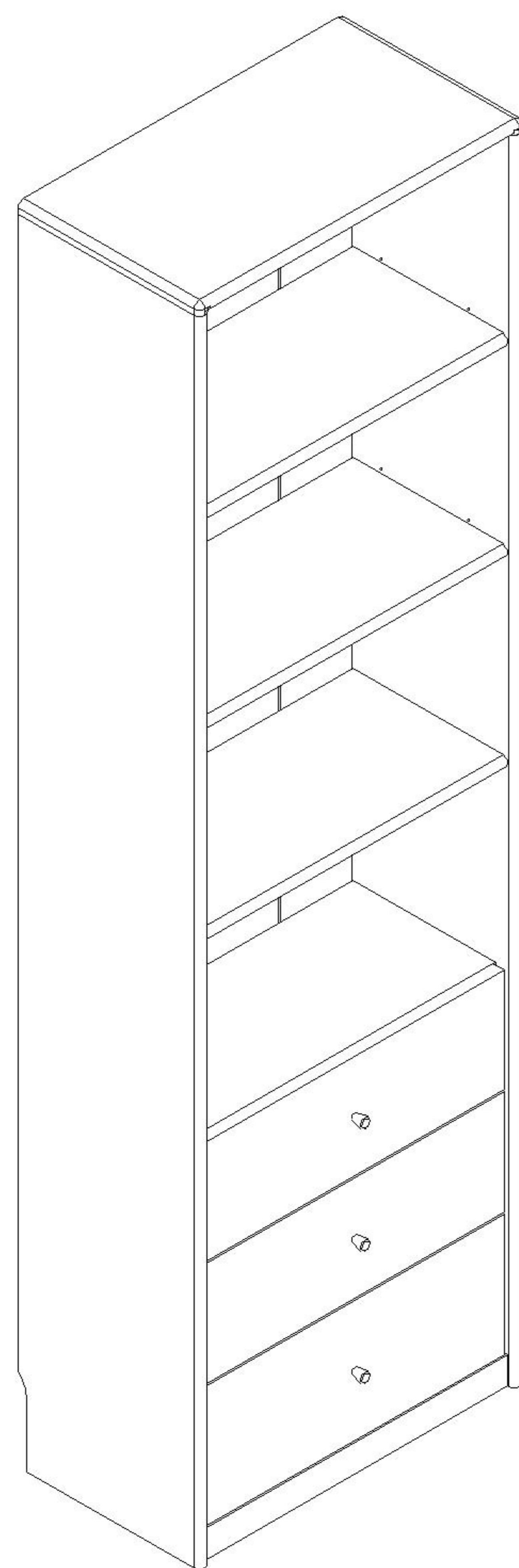
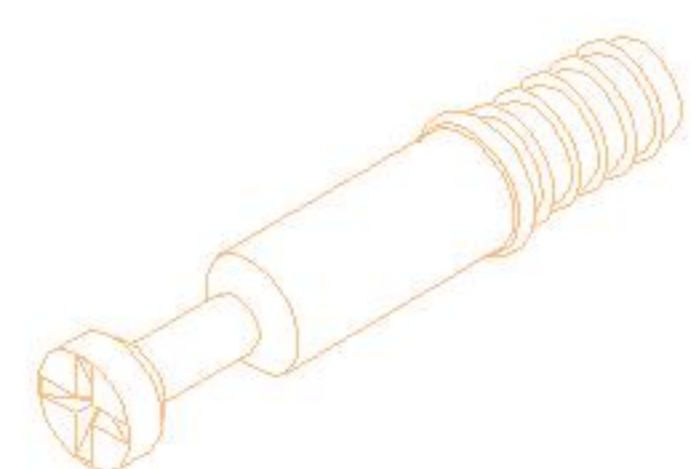
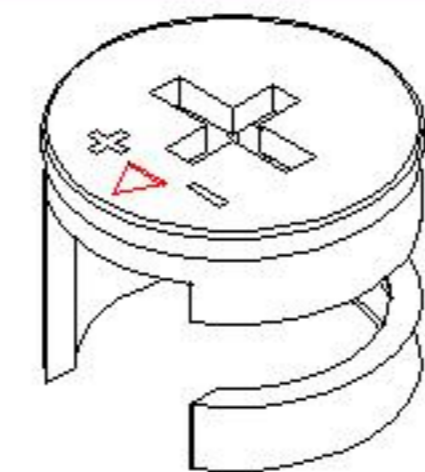
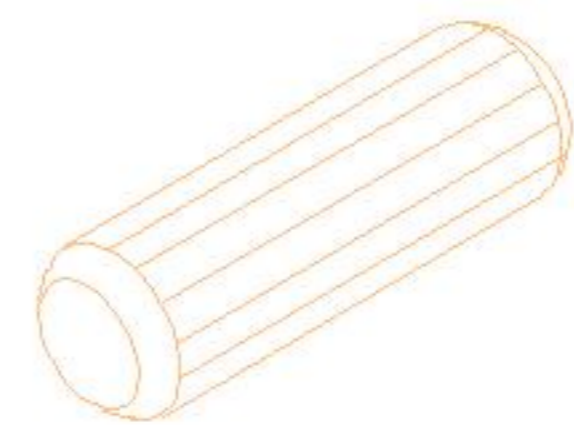
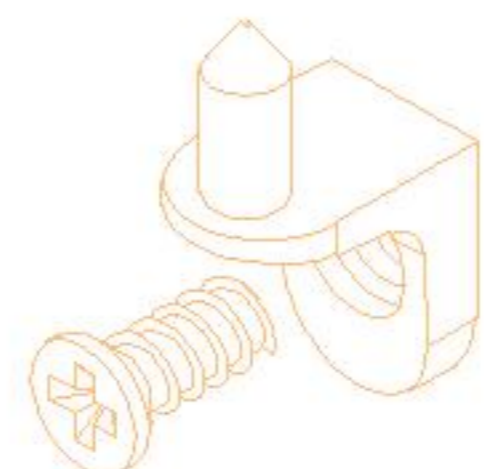
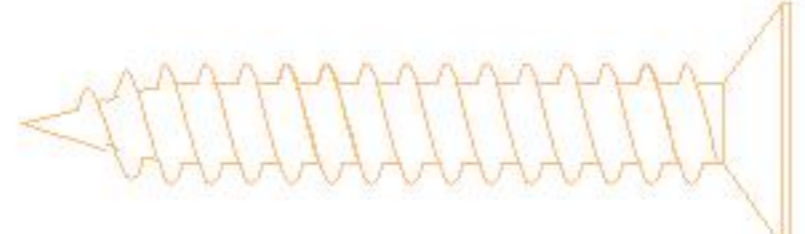

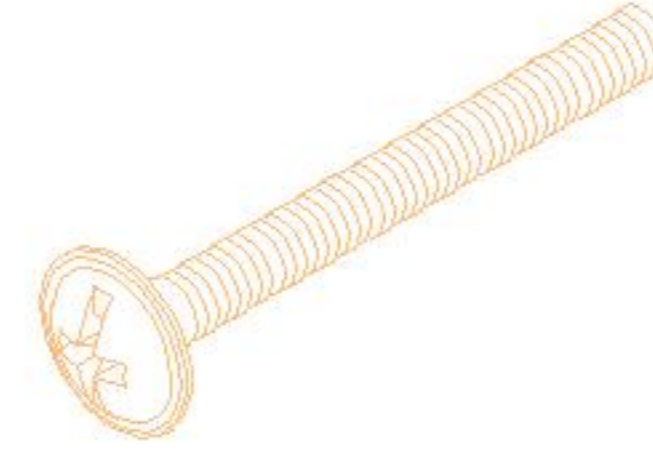
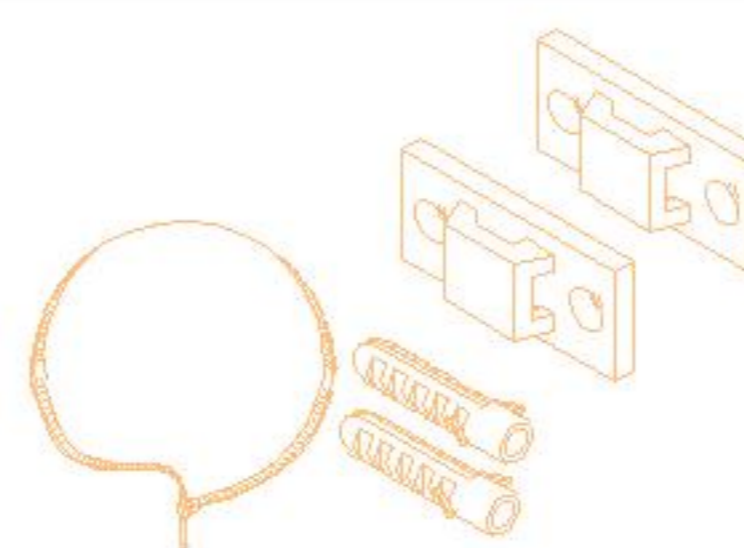
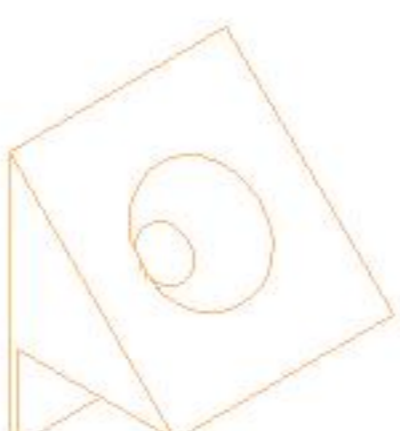
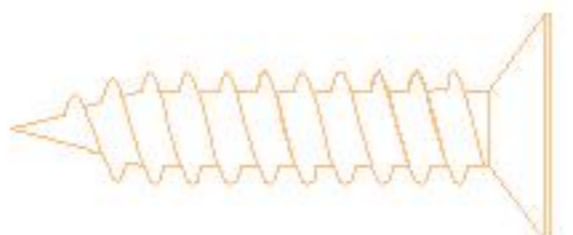
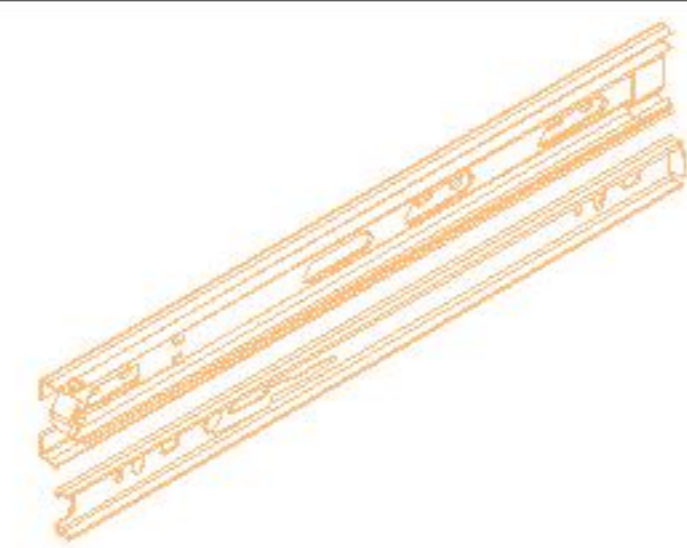
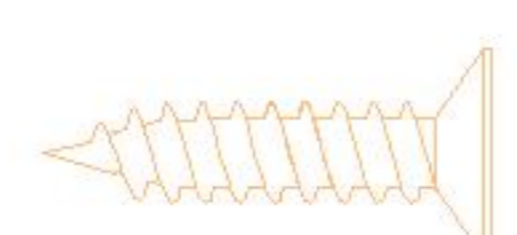
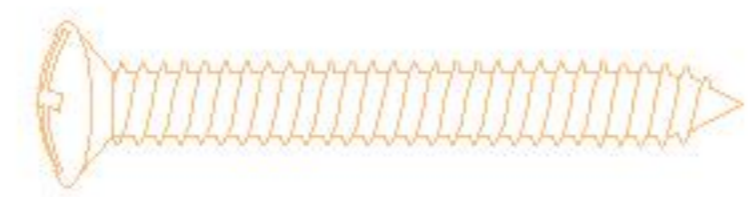
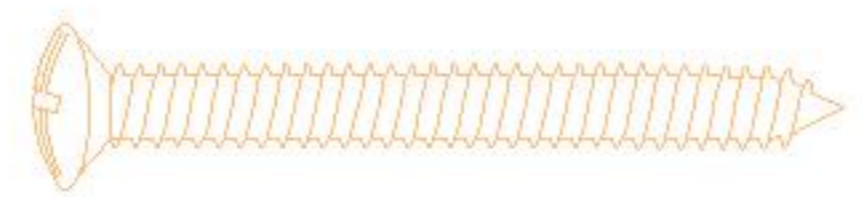
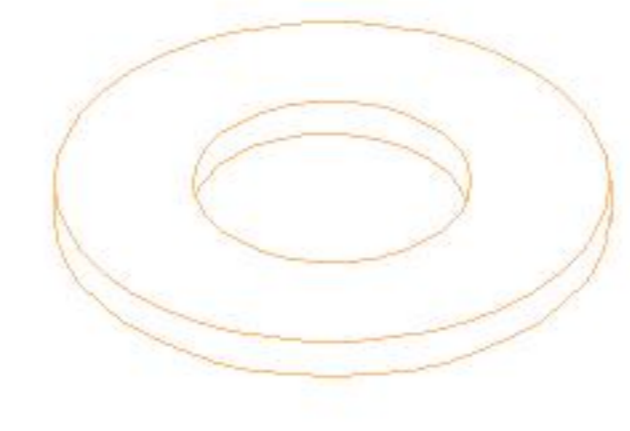




安装示意图/Assembly Instruction

产品名称 Model NO.	PK2X-A (0.6m)
产品规格 Specification	594*340*2001mm
安装工具 Tool	安装人数 Installer
	



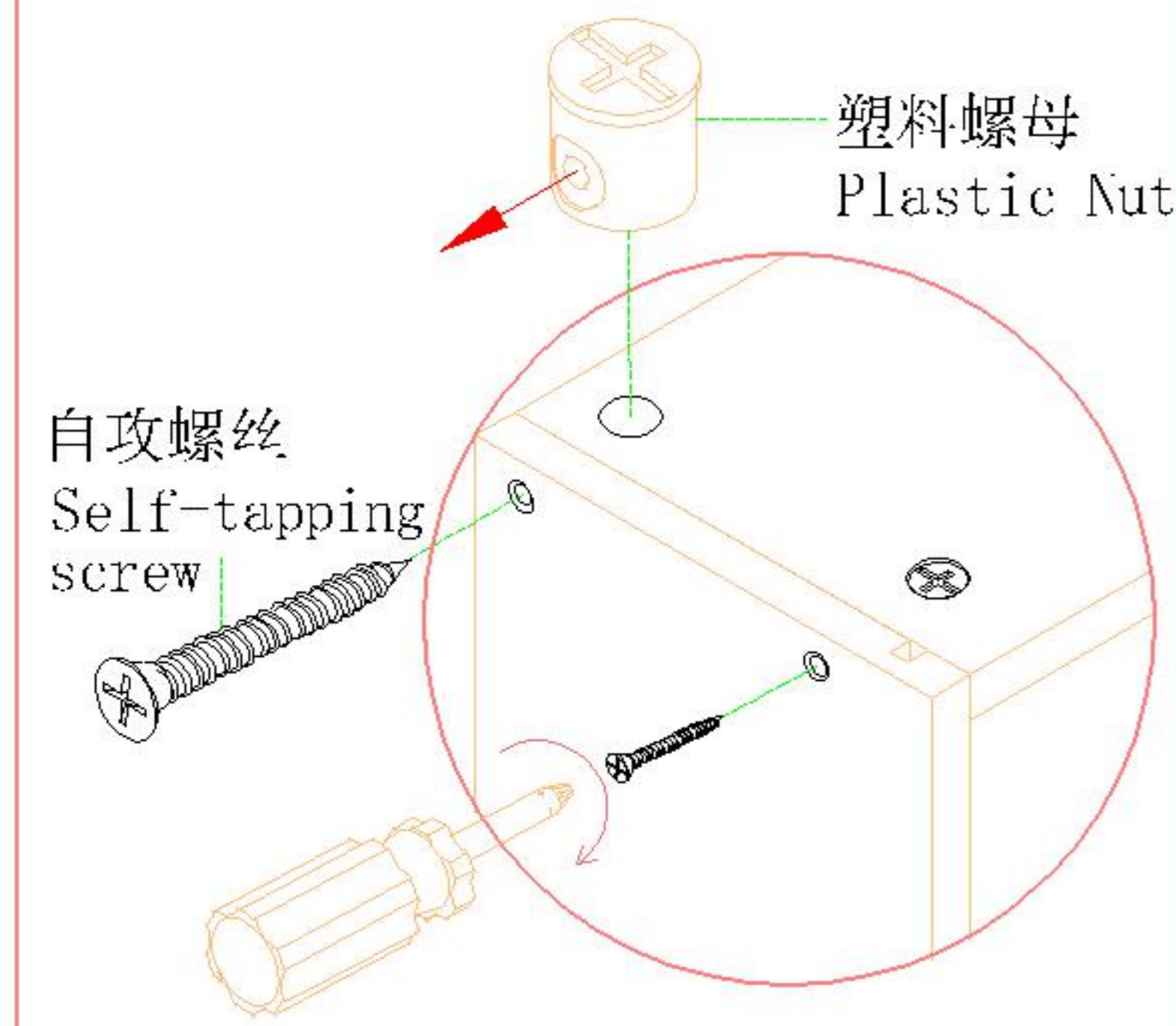
 (A)*19 二合一螺杆 2-in-1-screw	 (B)*19 大三合一锁饼 Three-in-one large lock	 (C)*6 木榫-∅8*30 Wood tenon	 (D)*8 层板托 Shelf support
 (E)*25 白攻螺丝M4*10mm Tapping screw	 (F)*25 塑料螺母 Plastic Nut	 (G)*3 拉手螺丝-M4x35mm Pulling screw	 (H)*2 家具防倒器-白色 Anti-fall device
 (I)*6 背板扣 White buckle	 (J)*6 白攻螺丝M3.5*16mm Tapping screw	 (K)*3 三节滚珠导轨10" Three-section rail	 (L)*38 白攻螺丝M3.5*12mm Tapping screw
 (M)*13 大扁白攻M4*25mm Flat head tapping screw	 (N)*17 大扁白攻M4*30mm Flat head tapping screw	 (O)*17 垫片-M5 Shim	 (P)*3 拉手-铝合金黑色哑光 Handle
 (Q)*6 灰色毛毡垫 Foot pad			

编号NO.	名称Name	规格 (mm) Specification	数量QTY	材质Material
①	面板 Top panel	594*330*18	1	实木 wood
②	底板 Bottom board	554*283*18	1	实木 wood
③	左侧板组立 Side board assembly(L)	1980*330*40	1	实木 wood
④	右侧板组立 Side board assembly(R)	1980*330*40	1	实木 wood
⑤	前拉条 Front brace	554*50*20	1	实木 wood
⑥	中层板 Middle shelf	554*282*18	1	实木 wood
⑦	下层板 Lower shelf	554*260*18	1	实木 wood
⑧	活动层板 Movable shelf	553*282*18	2	实木 wood
⑨	边背拉条 Side back brace	1930*130*18	2	实木 wood
⑩	背板 Back board	1942*310*8	1	实木 wood
⑪	上抽屉面板 Upper drawer's panel	548*190*20	2	实木 wood
⑫	抽屉前板 Drawer's front board	504*142*12	3	实木 wood
⑬	抽屉侧板 Drawer's sideboard	260*142*12	6	实木 wood
⑭	抽屉后板 Drawer's Back board	504*142*12	3	实木 wood
⑮	抽屉底板 Drawer's Bottom board	514*244*8	3	实木 wood
⑯	下抽屉面板 Bottom drawer's panel	548*222*20	1	实木 wood

PK2X-A(0.6m)

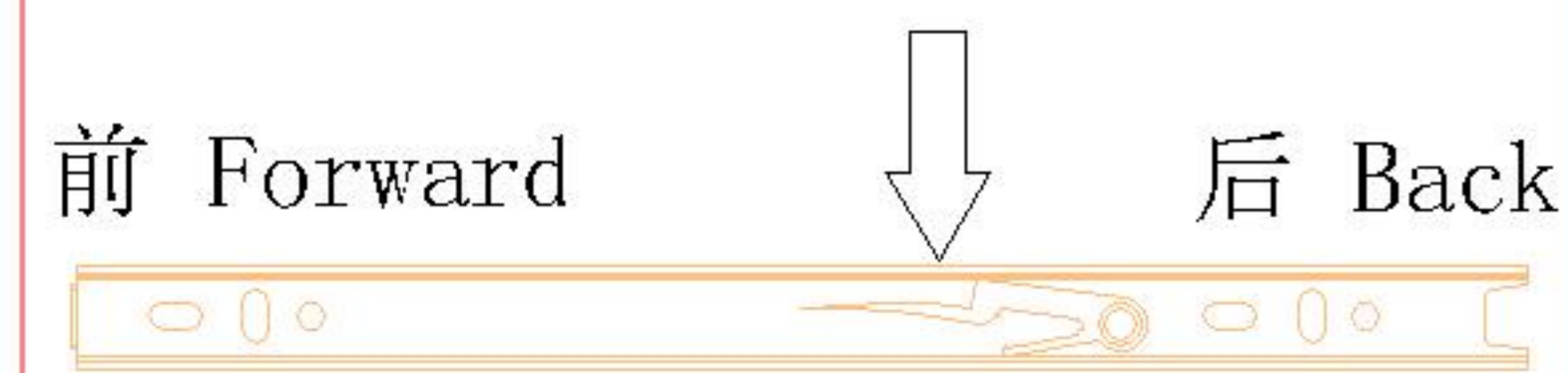
安装方法

Installation method

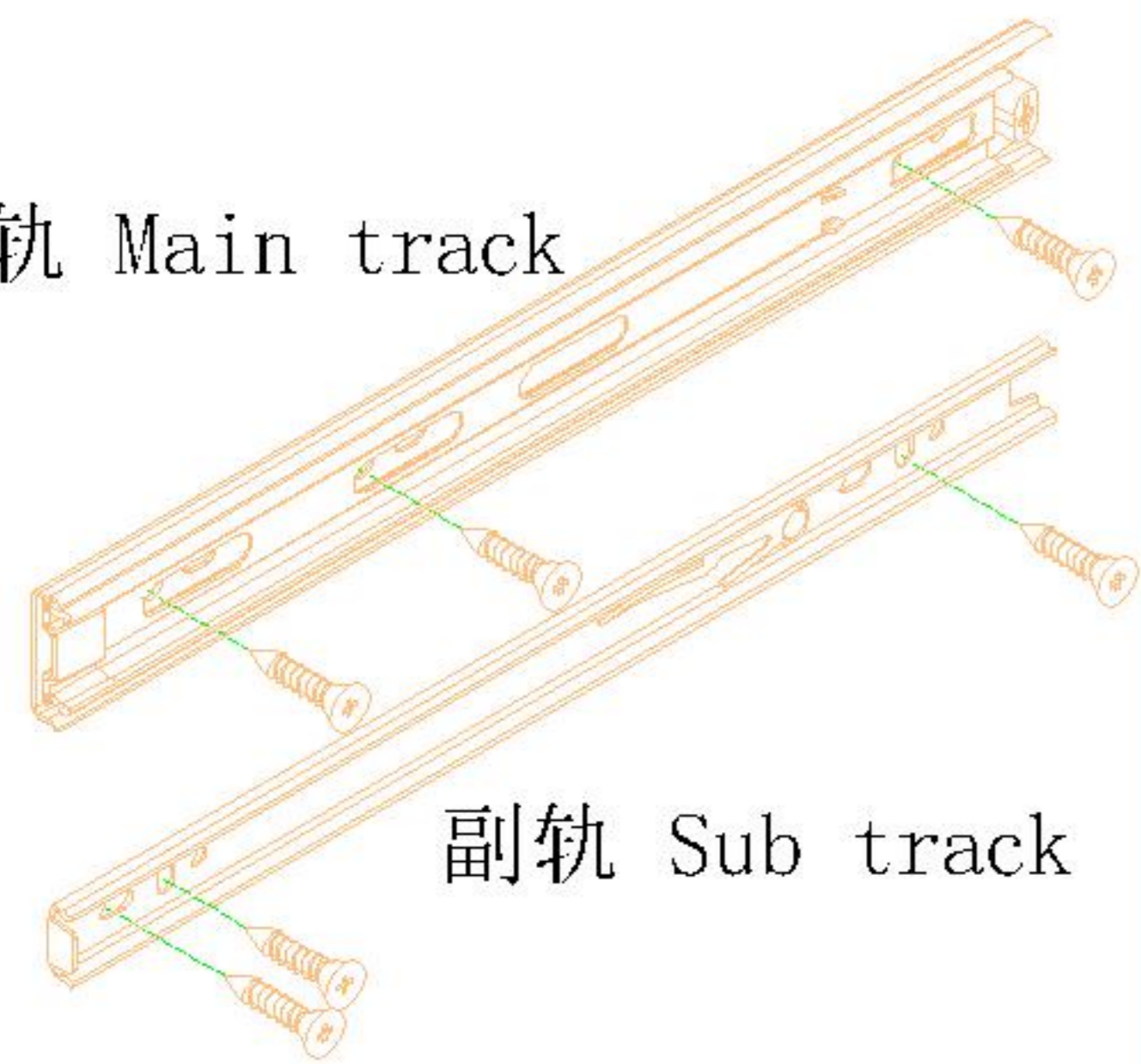


塑料螺母 Plastic Nut

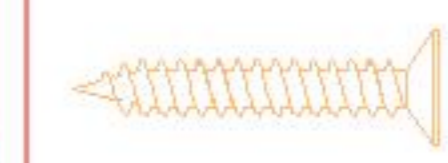
阀门开关(下压为开)
Valve switch (press down to open)



主轨 Main track



三节滚珠导轨-10"
Three-section rail



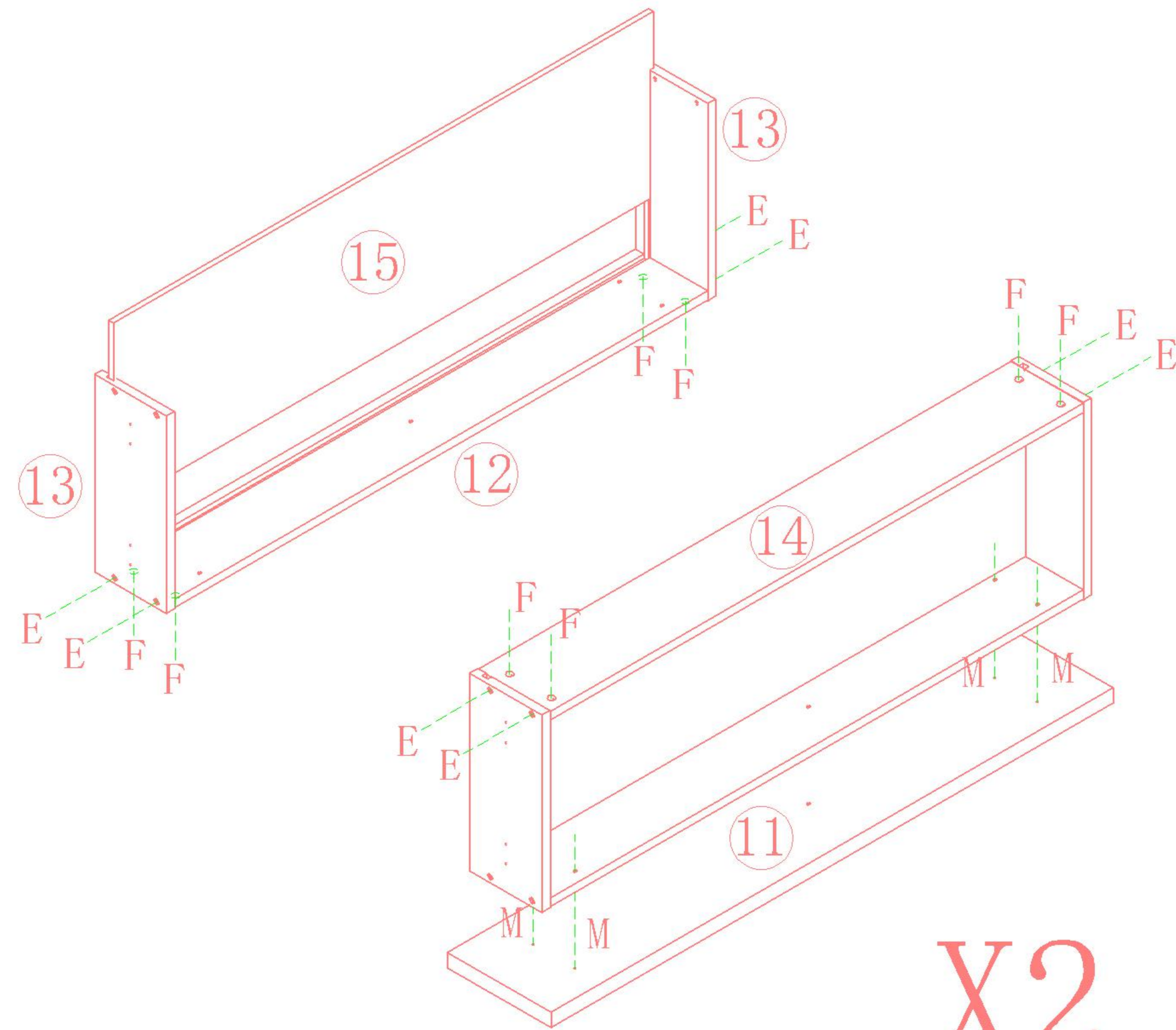
(E)*16



(F)*16



(M)*8



X2

1



(G)*2



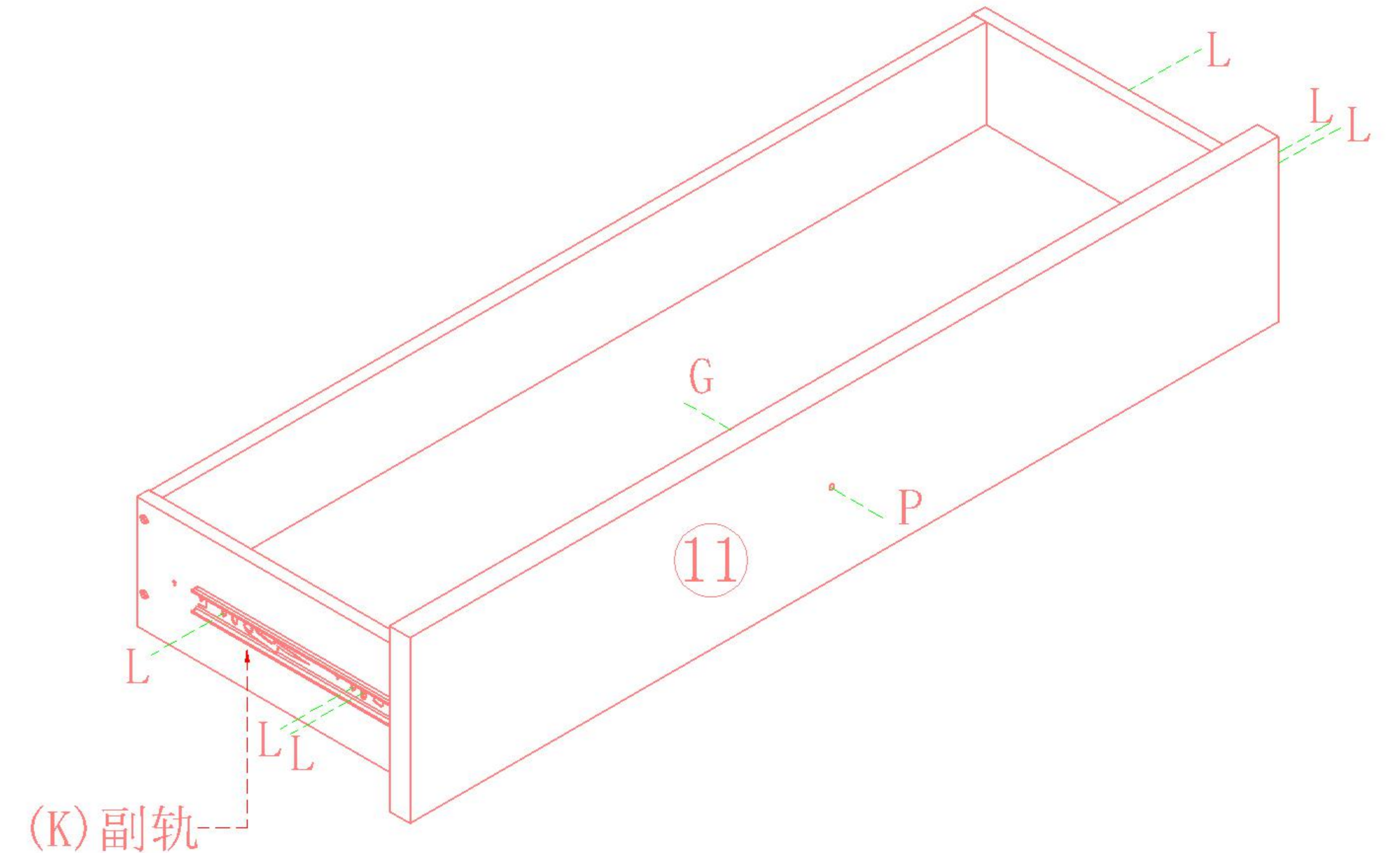
(K)*2



(L)*12

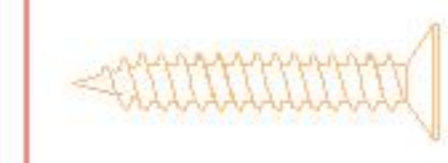


(P)*2



X2

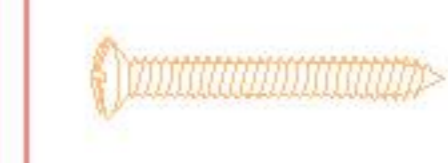
2



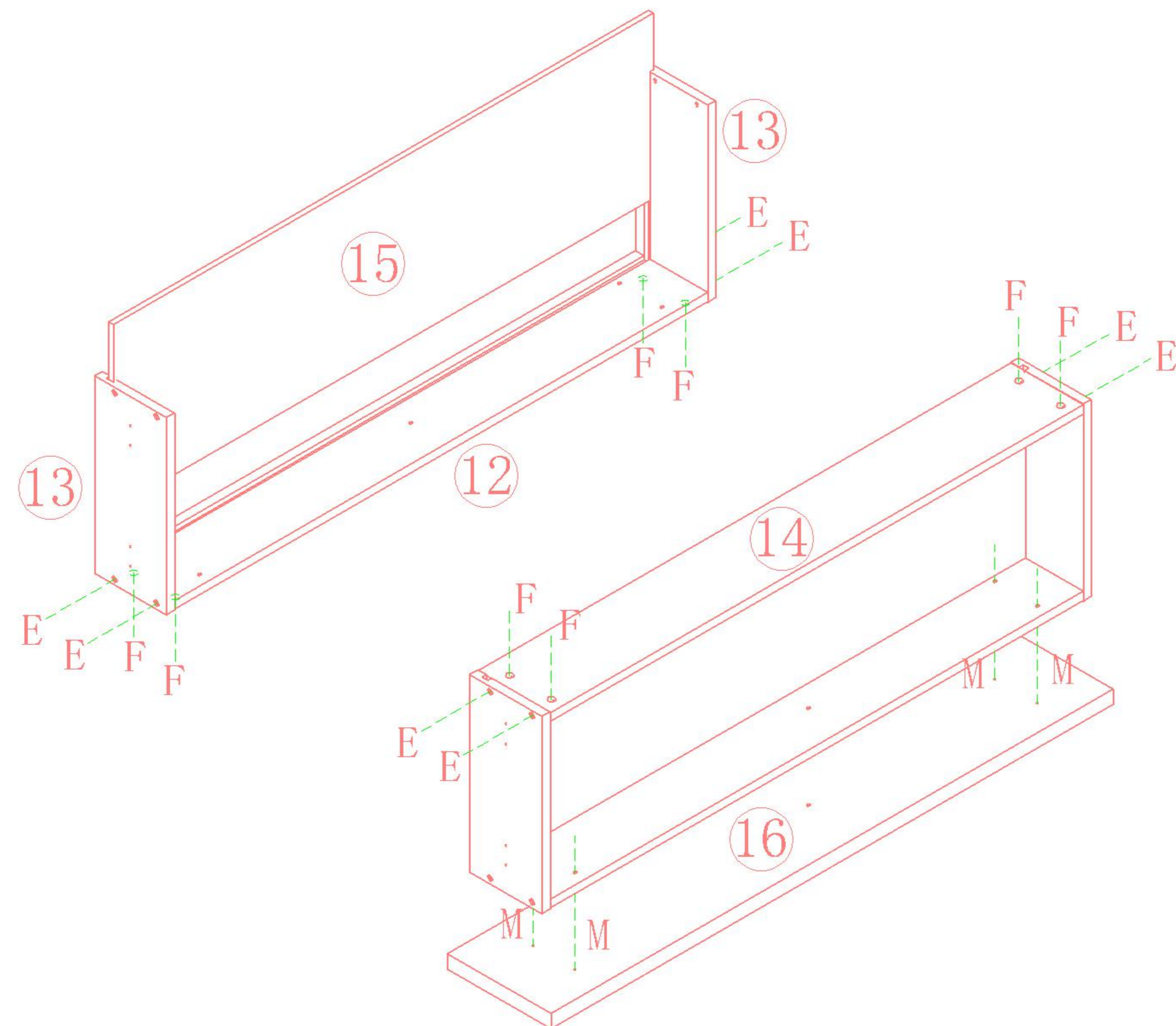
(E)*8



(F)*8



(M)*4



X2

3



(G)*1



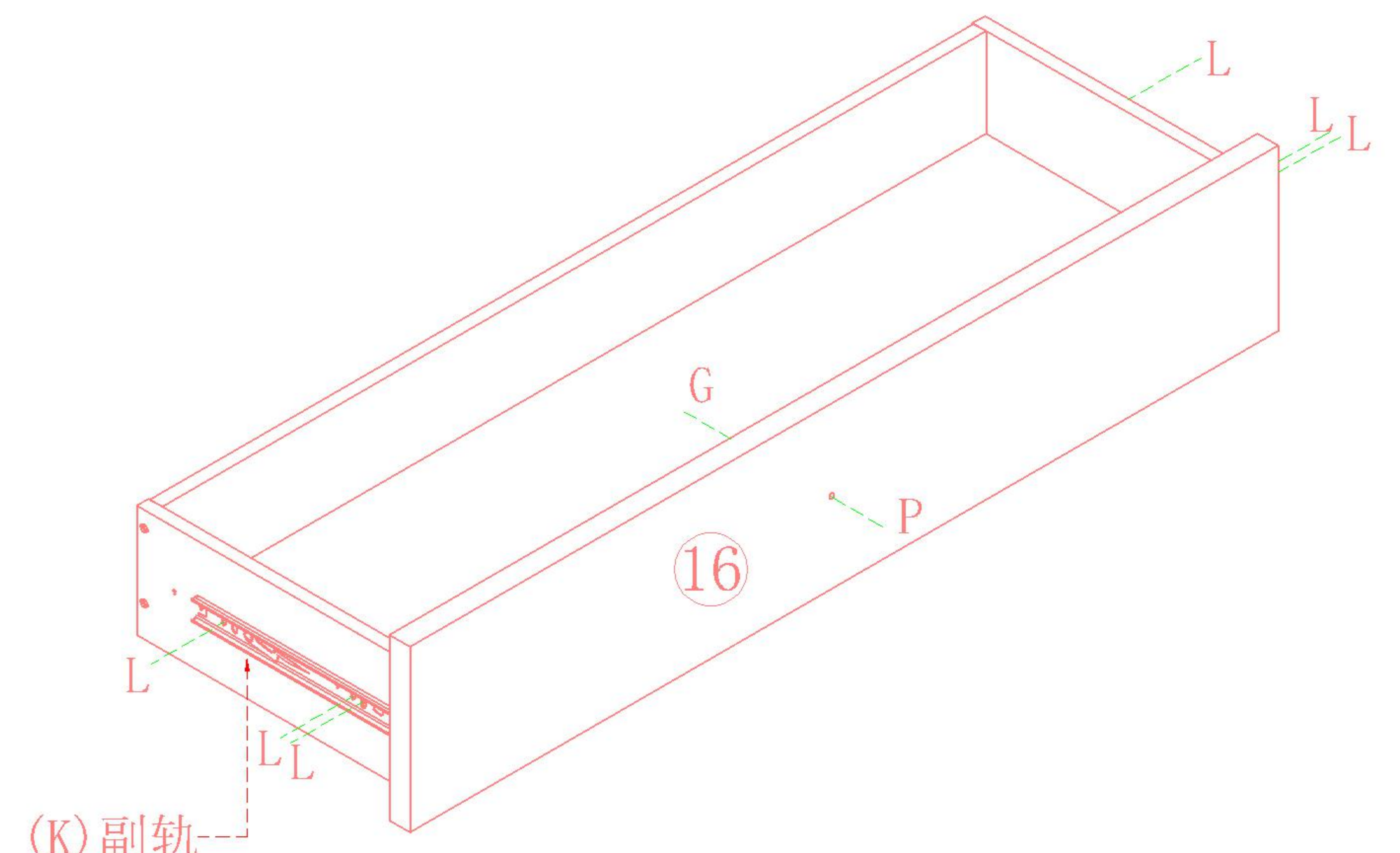
(K)*1



(L)*6



(P)*1

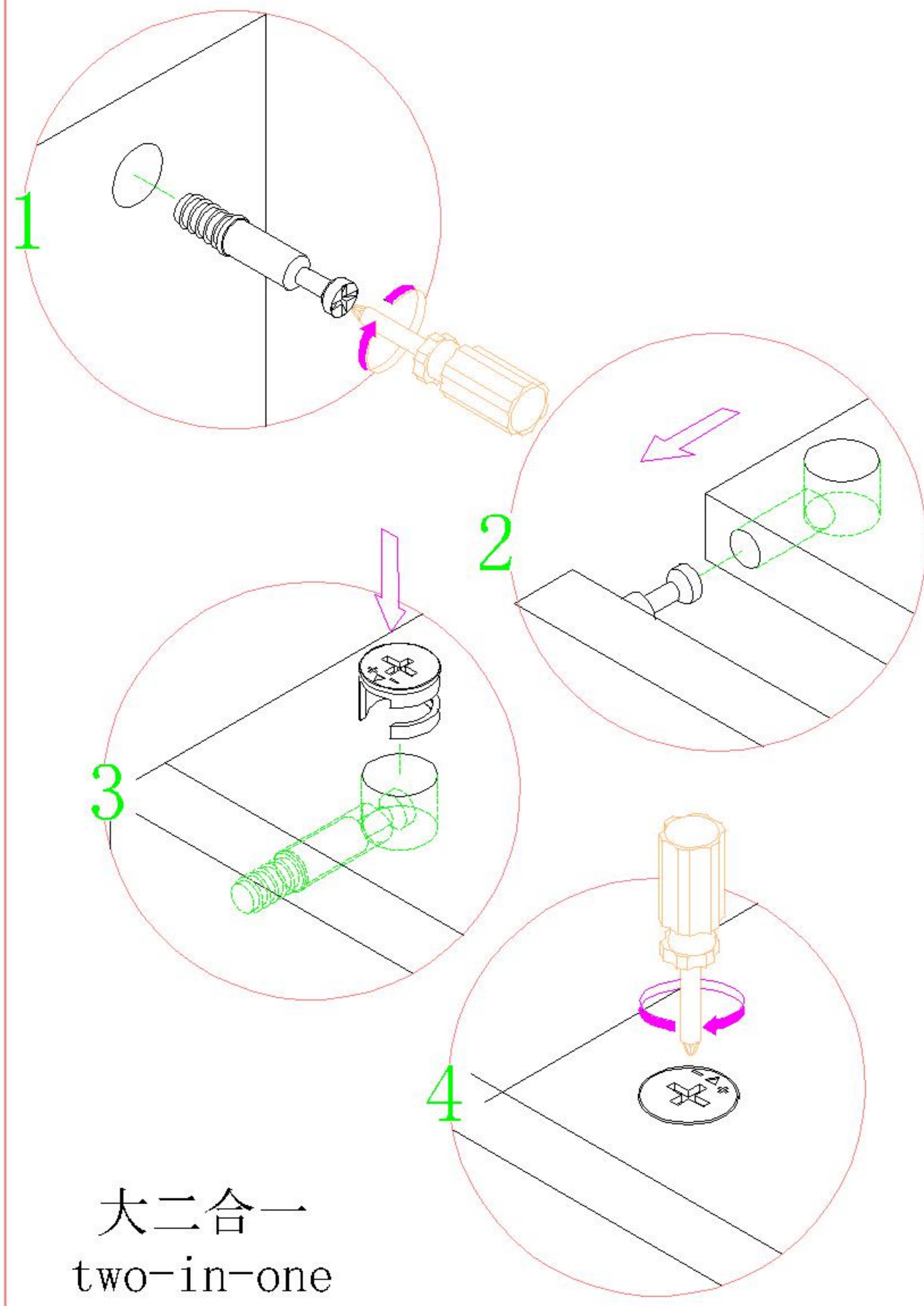


X2

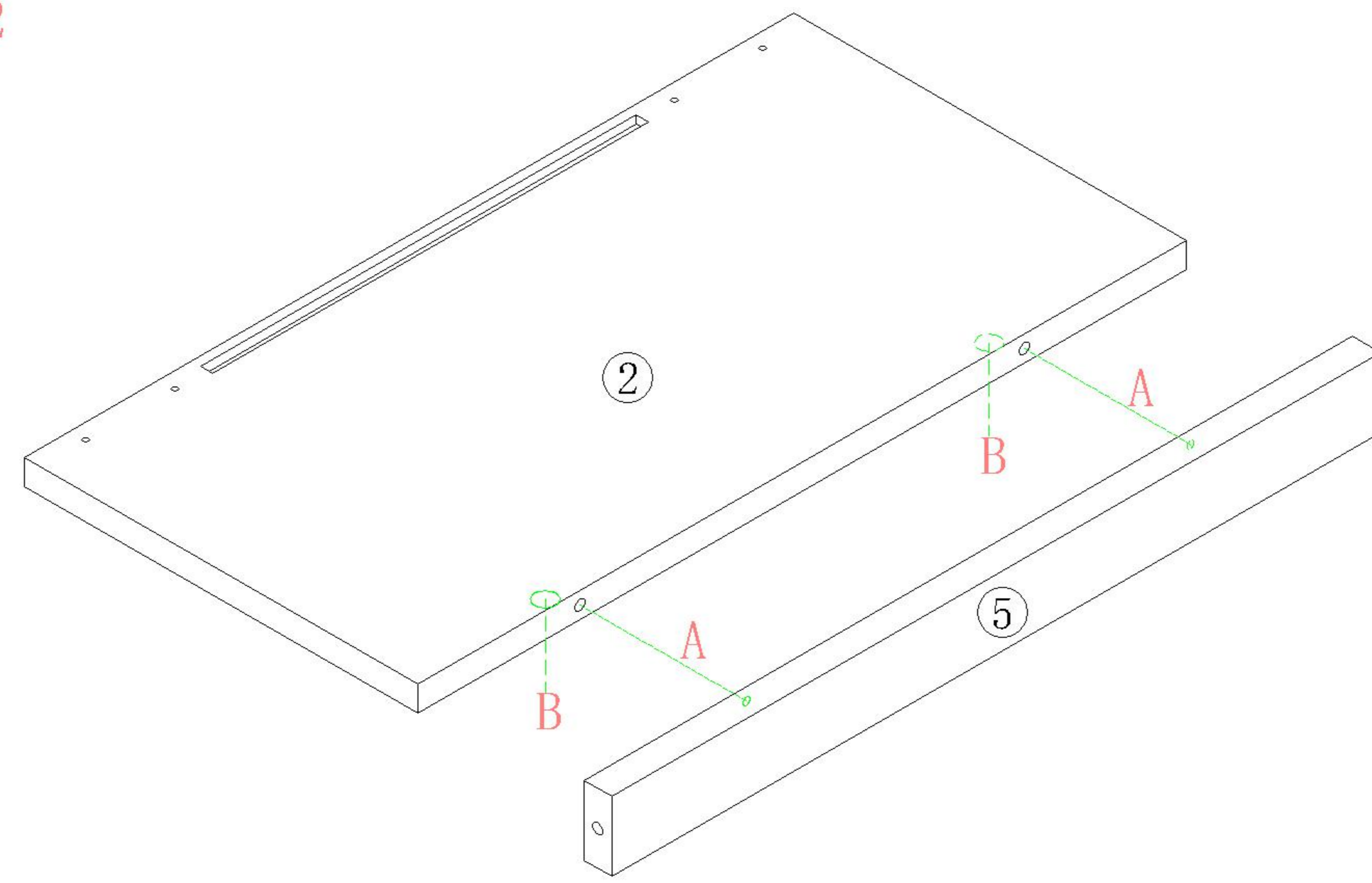
4

PK2X-A (0.6m)

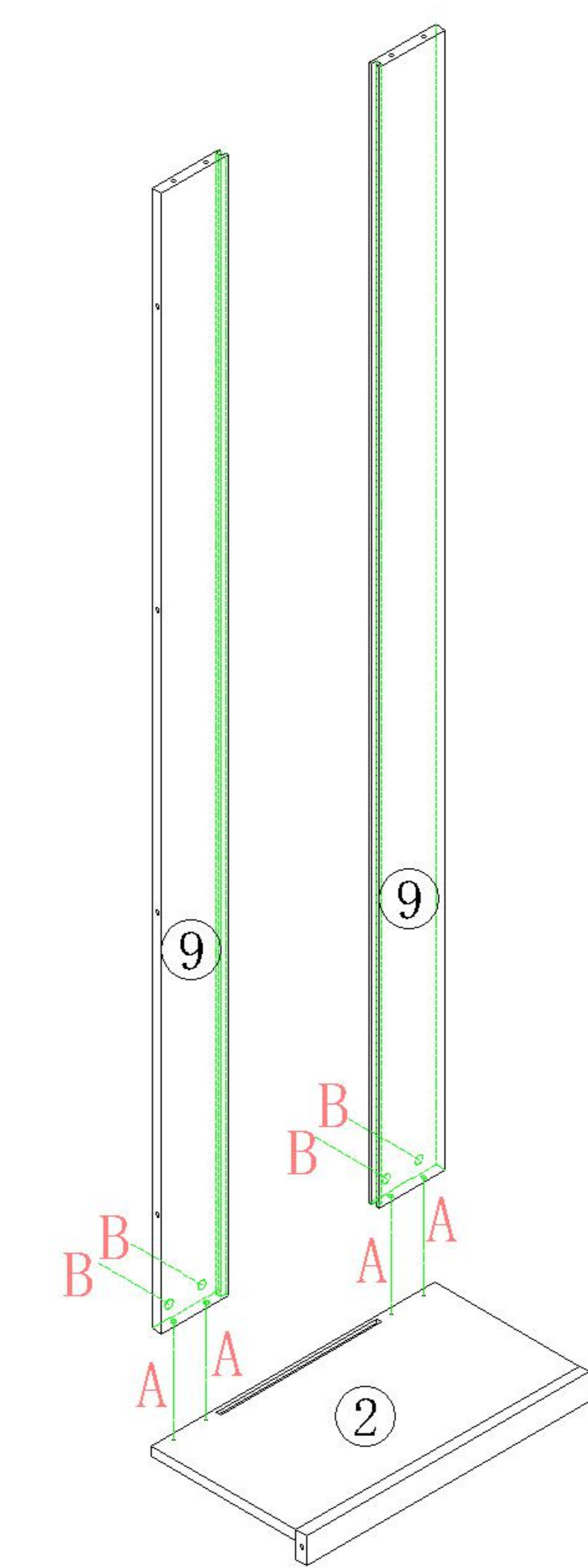
安装方法/
Installation method



- (A)*2
- (B)*2

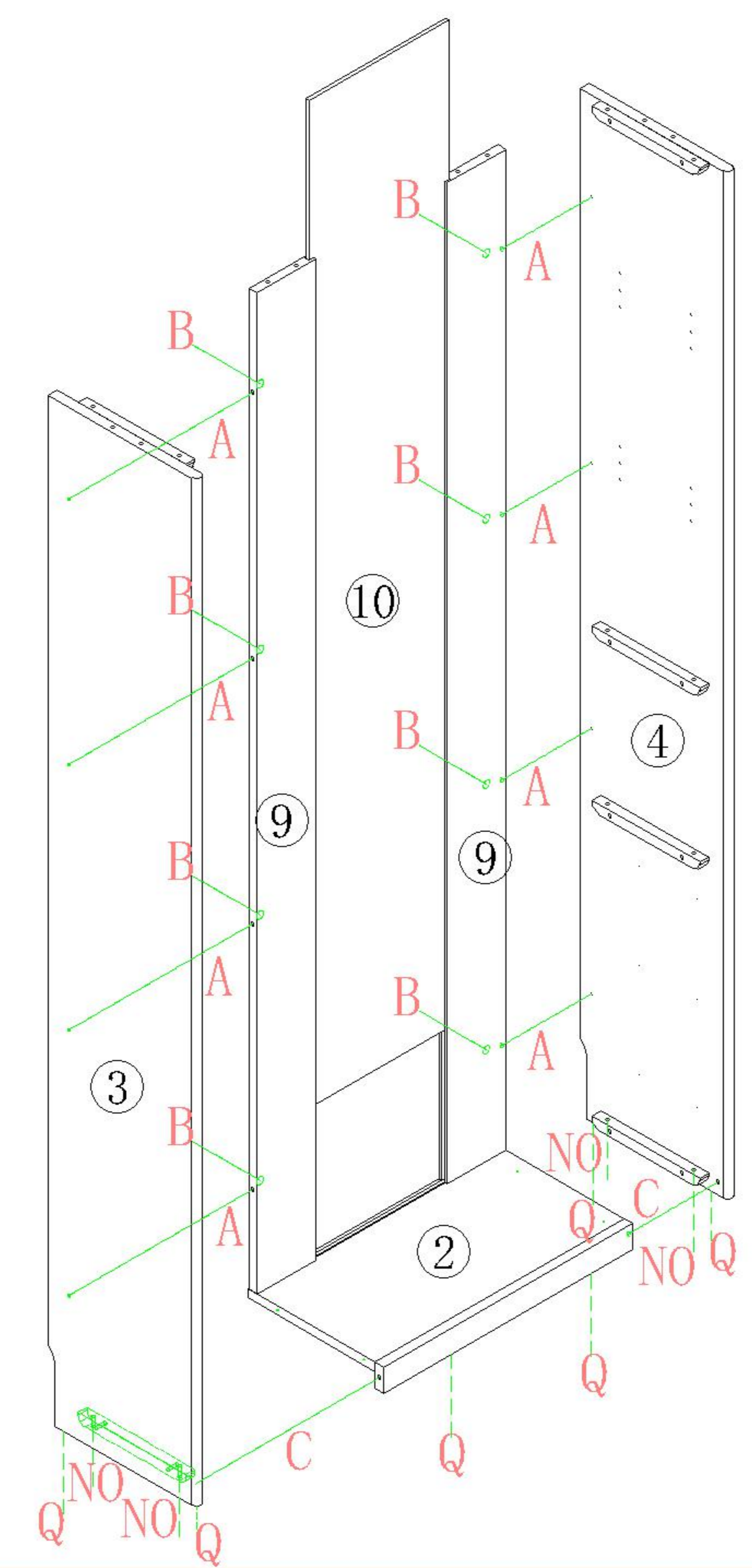


- (A)*4
- (B)*4

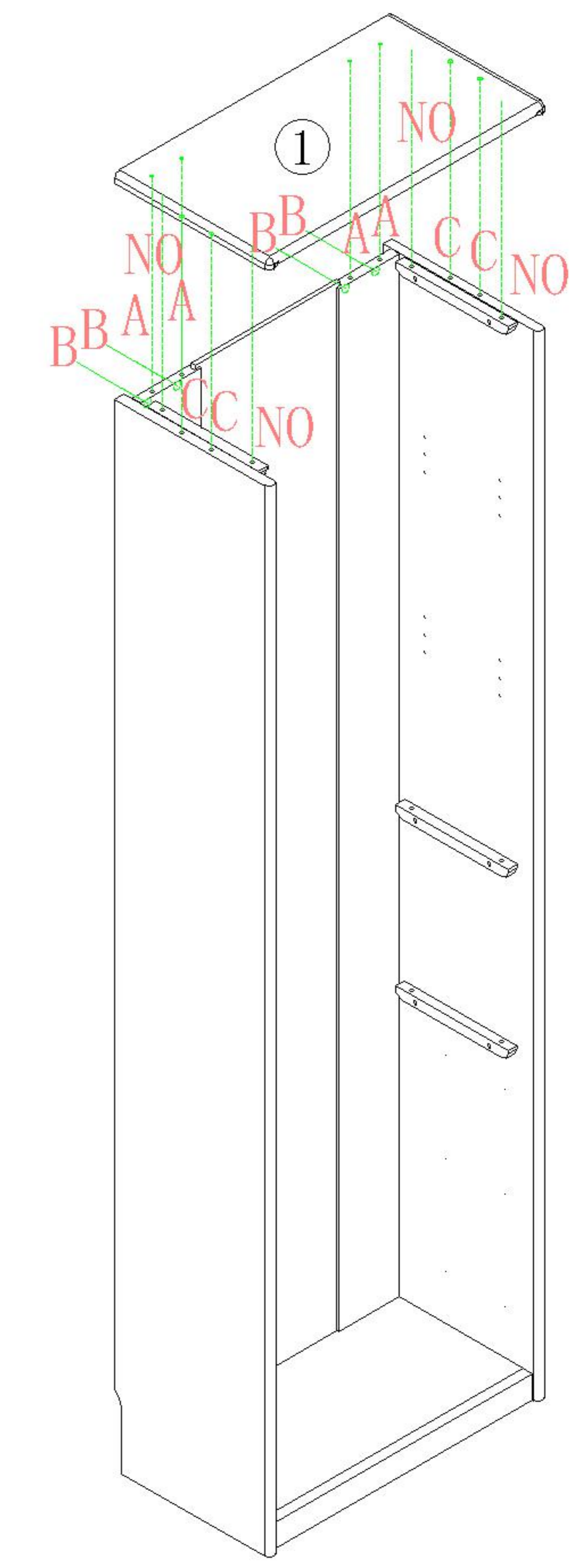


6

- (A)*8
- (B)*8
- (C)*2
- (N)*4
- (O)*4
- (Q)*6



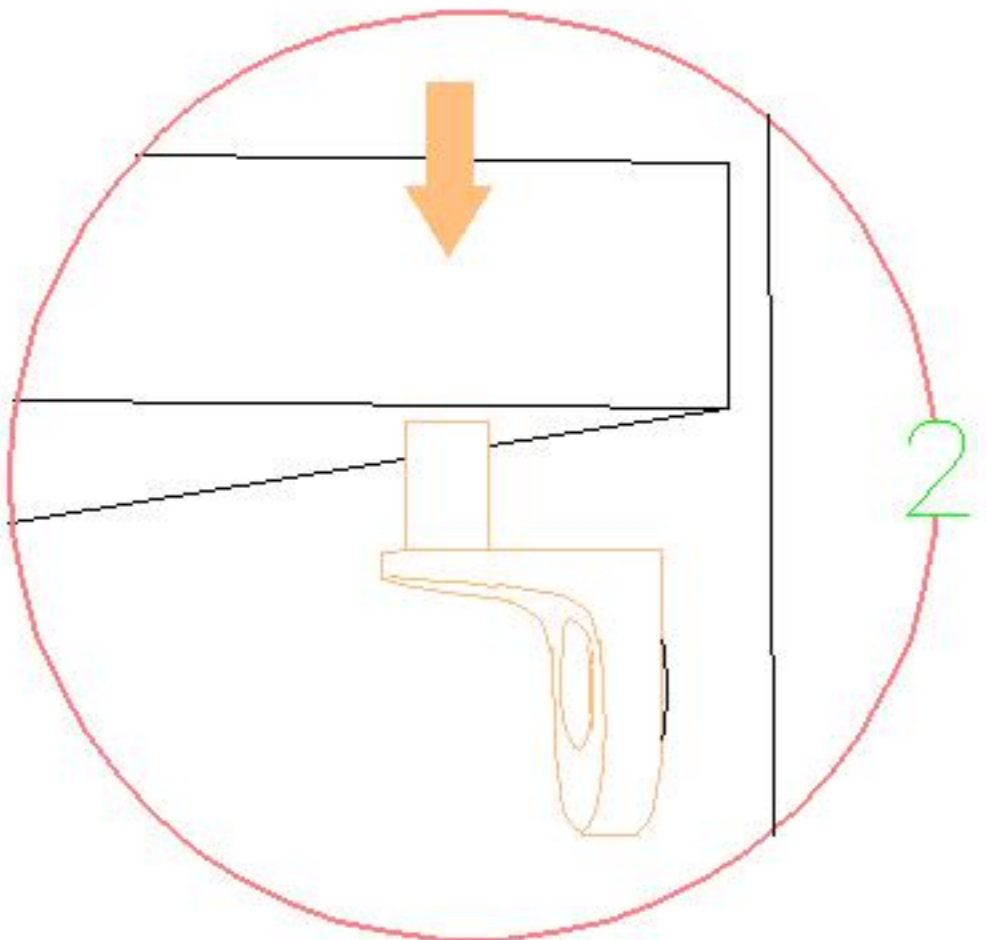
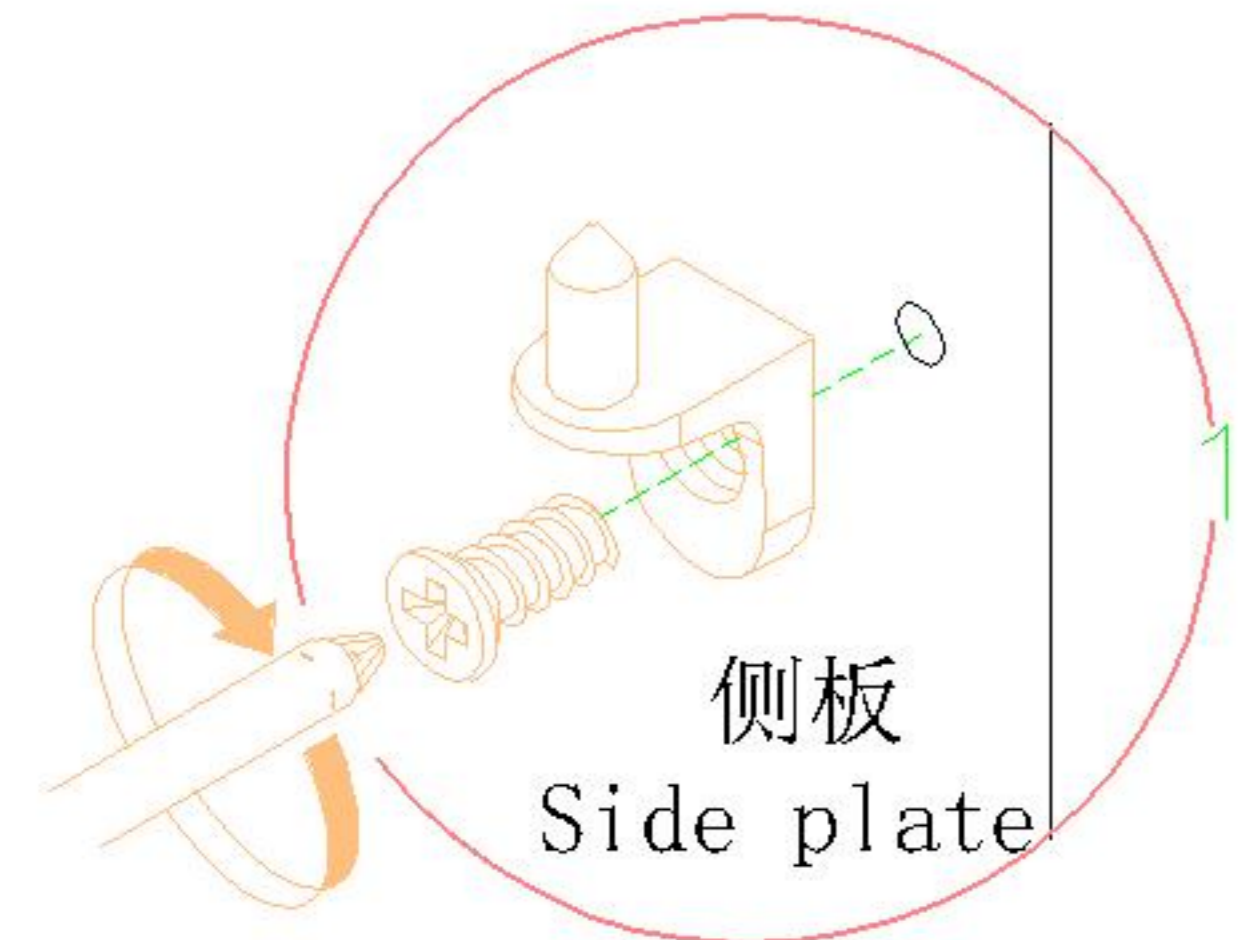
- (A)*4
- (B)*4
- (C)*4
- (N)*4
- (O)*4



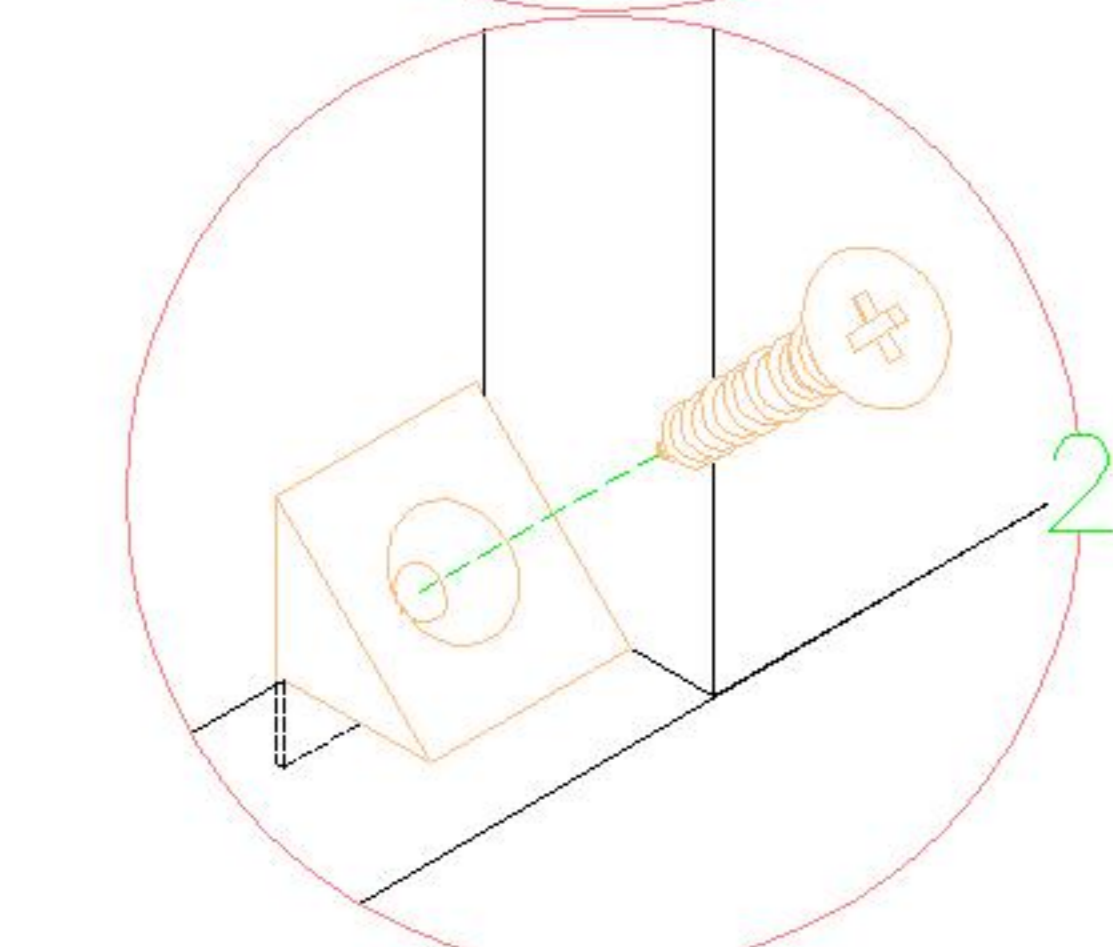
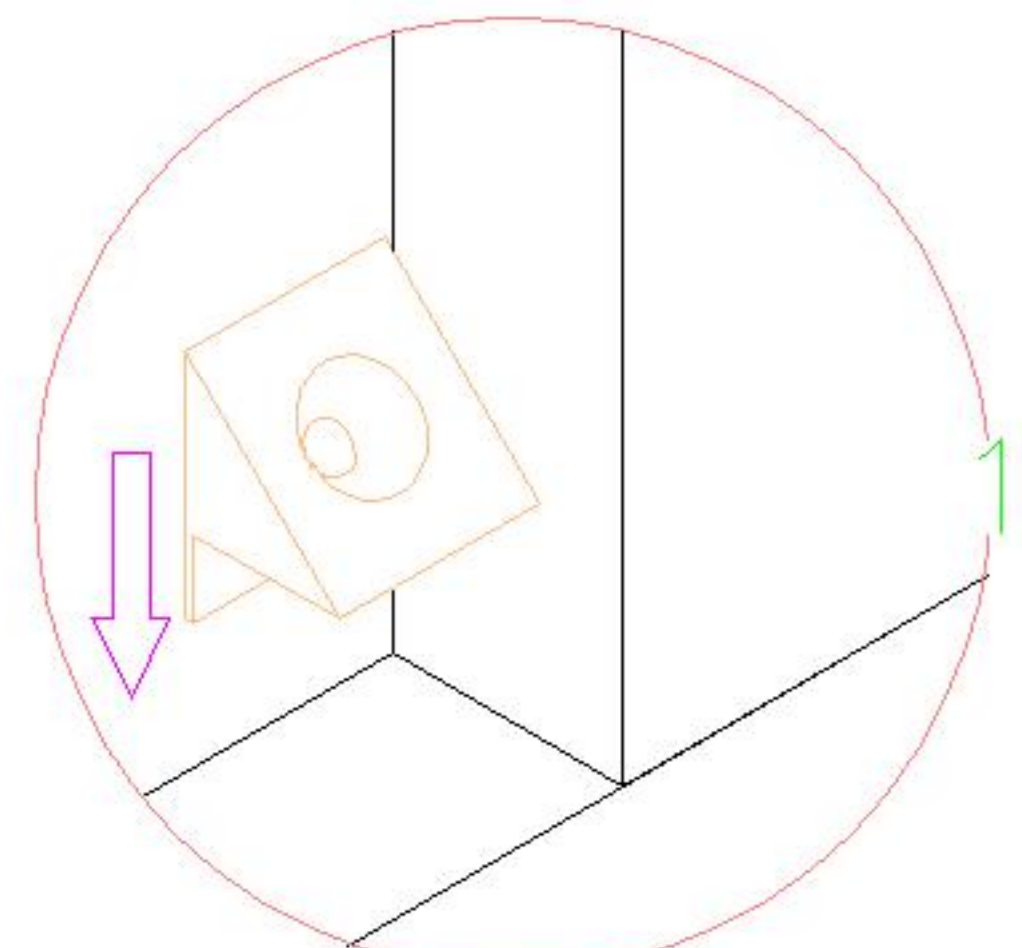
8

PK2X-A (0.6m)

安装方法/
Installation method



层板托5mm
shelf support



背板扣
Back Plate Buckle



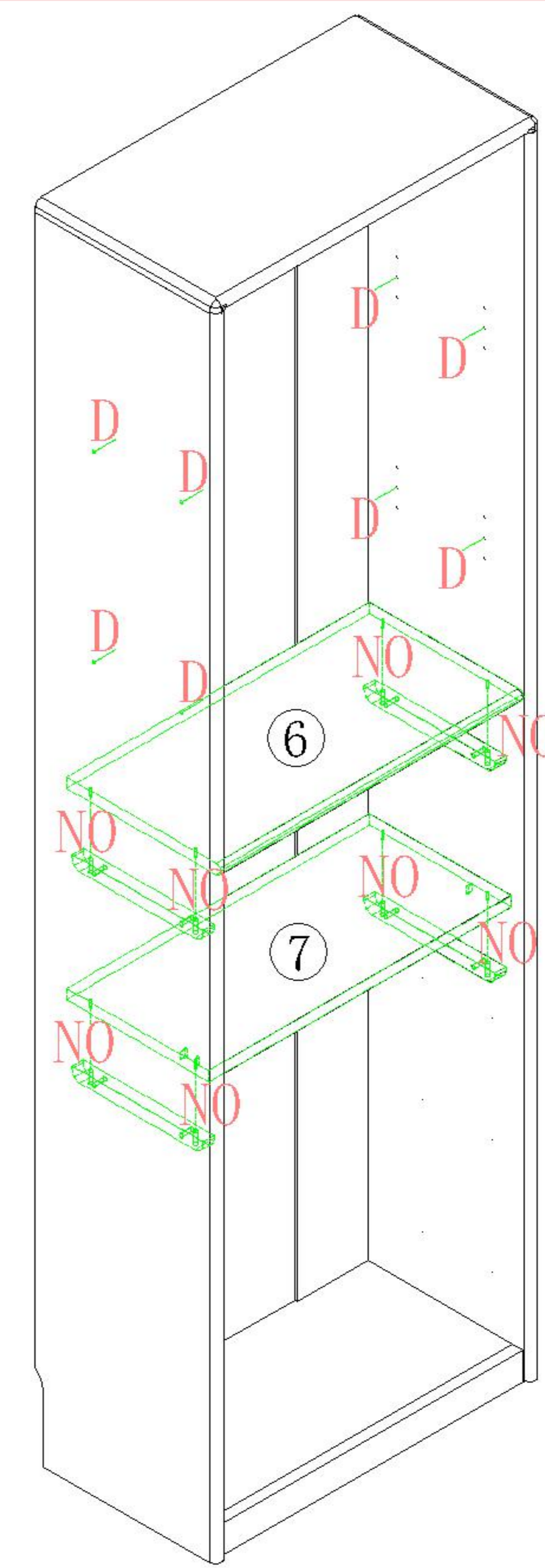
(N)*8



(O)*8



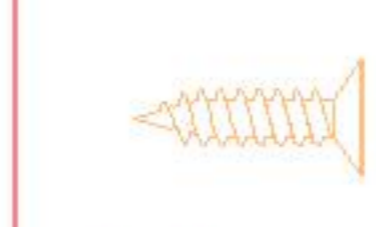
(D)*8



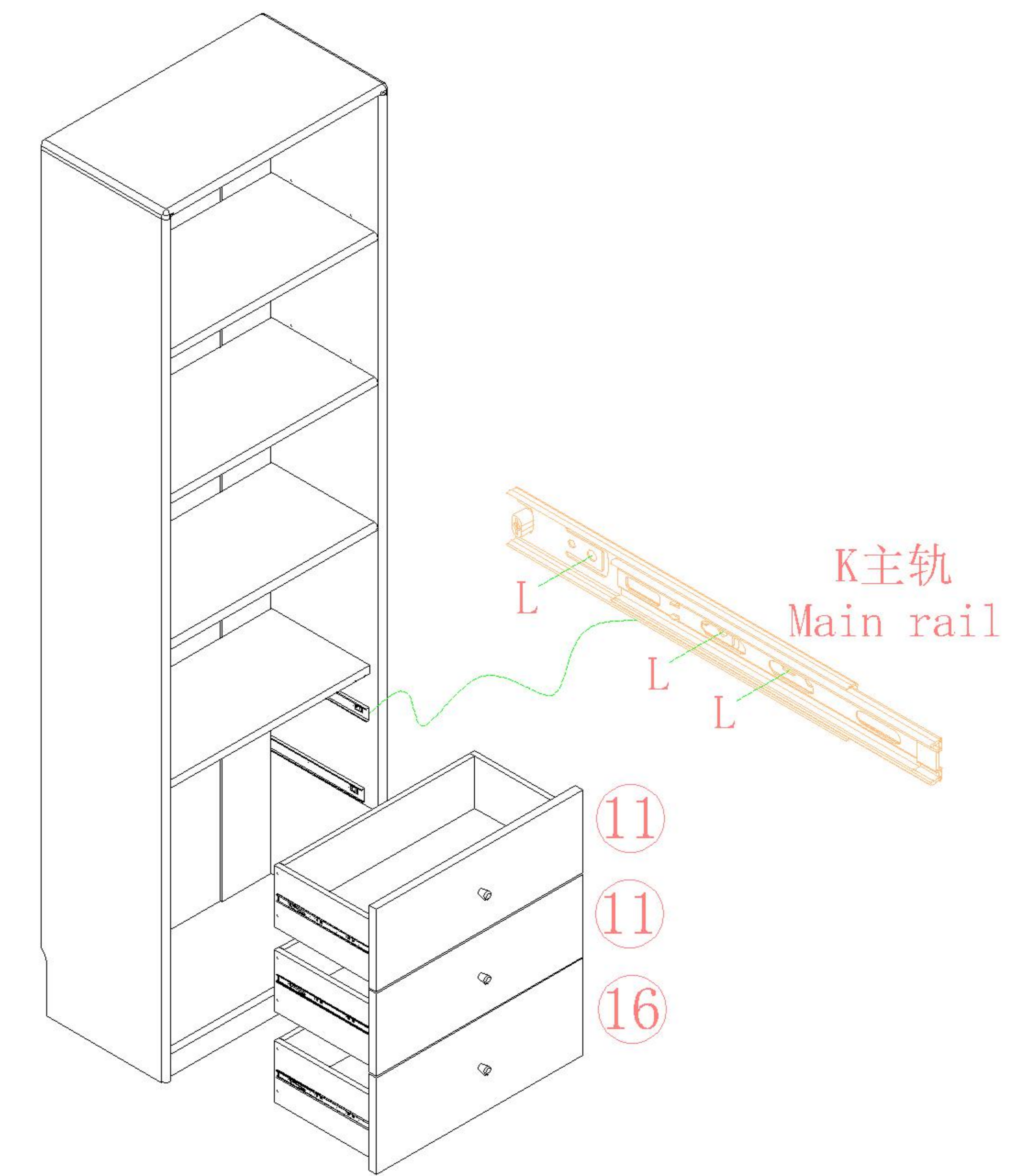
9



(K)*3



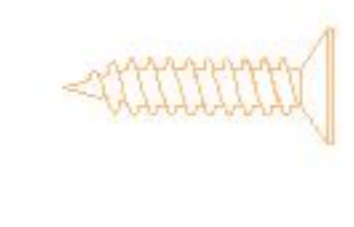
(L)*18



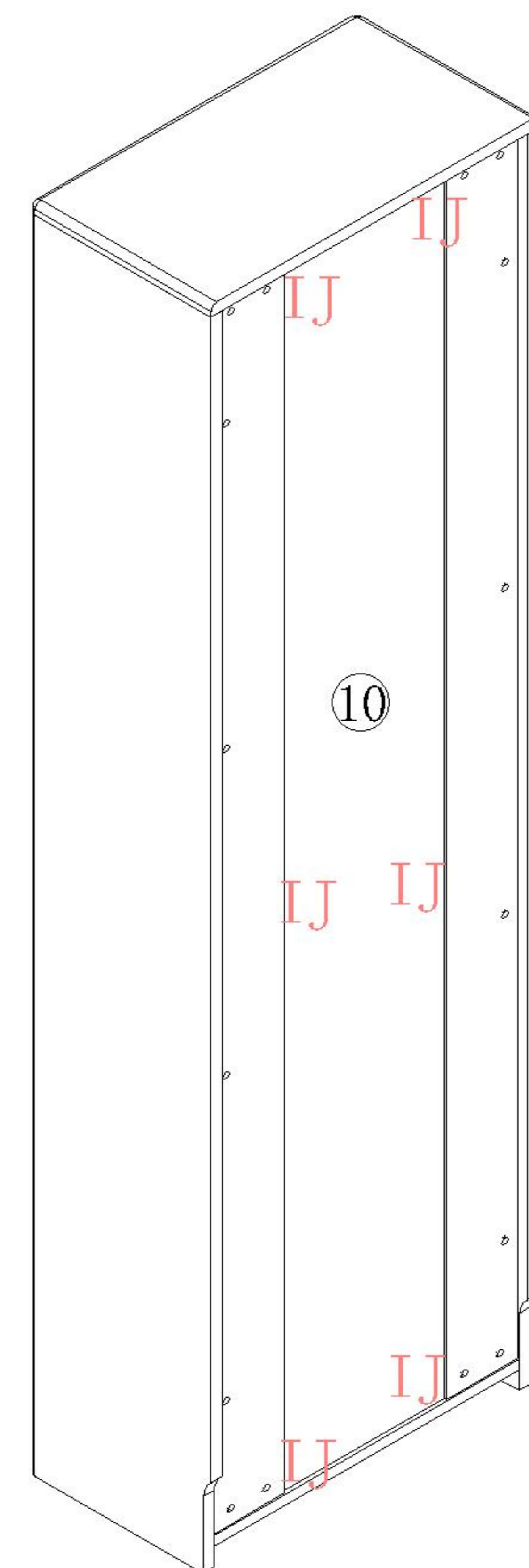
10



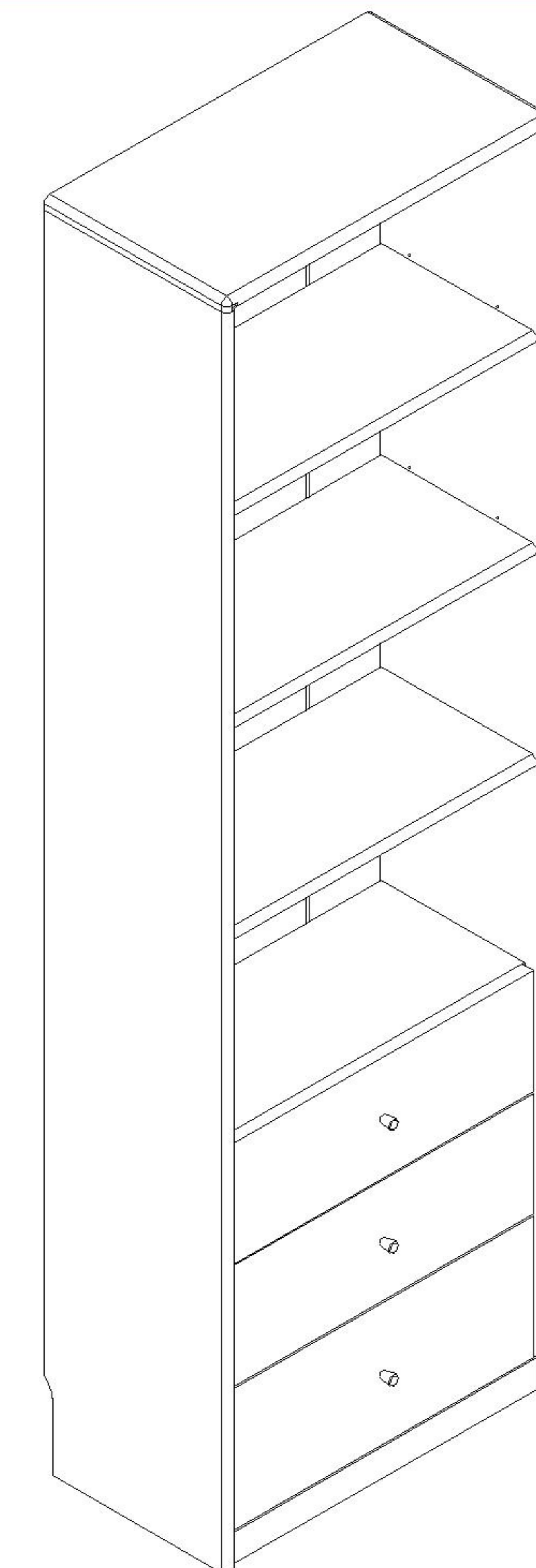
(I)*6



(J)*6



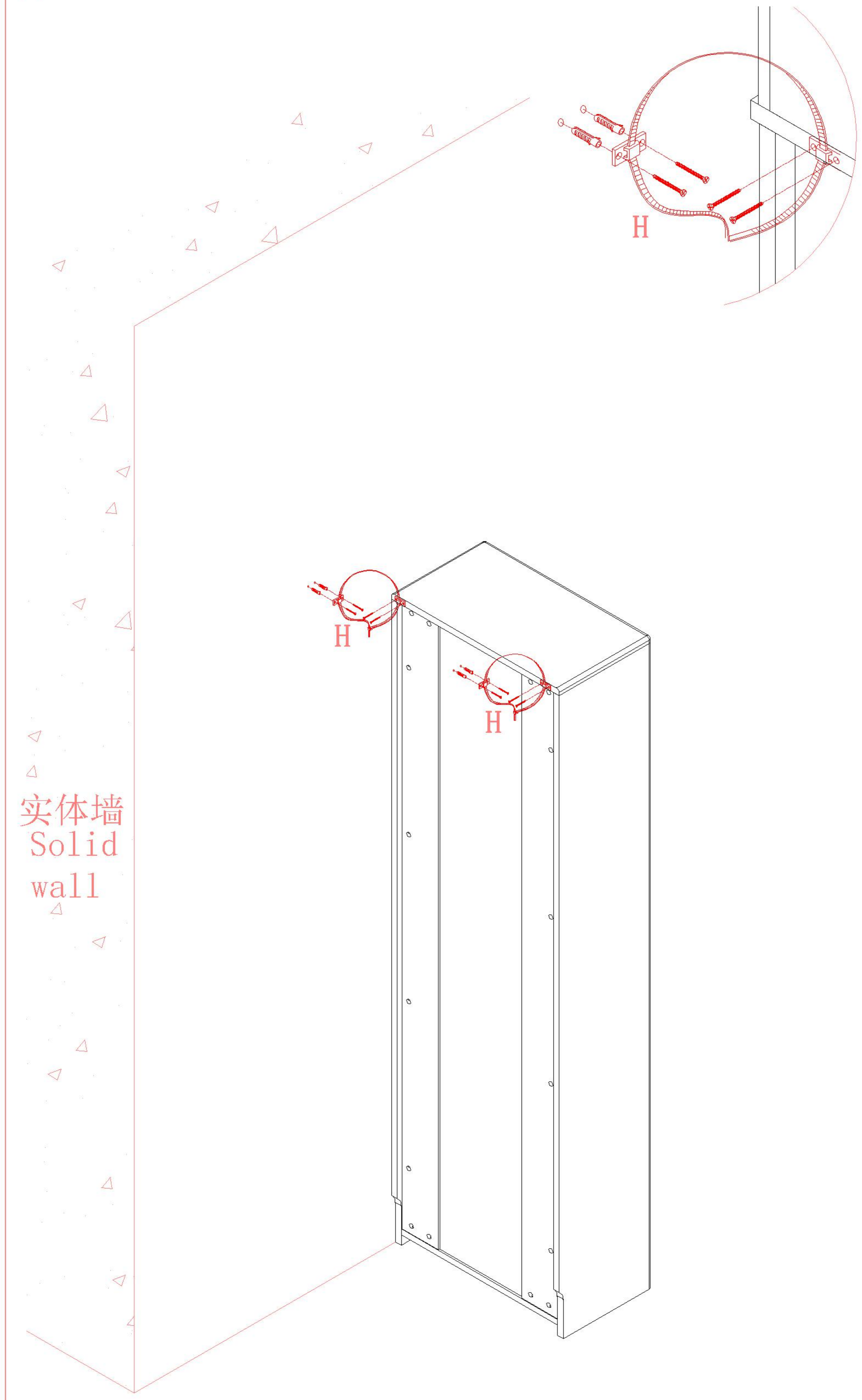
10



11

安装方法
Installation method

(H)*2



实体墙
Solid
wall

