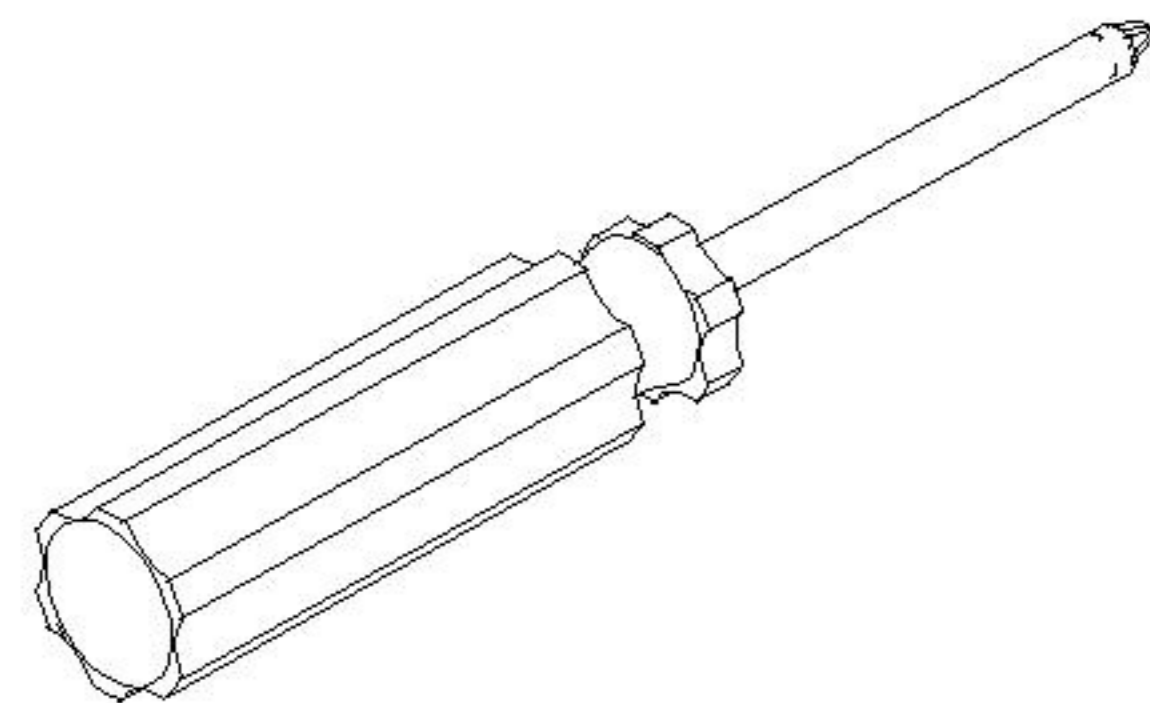
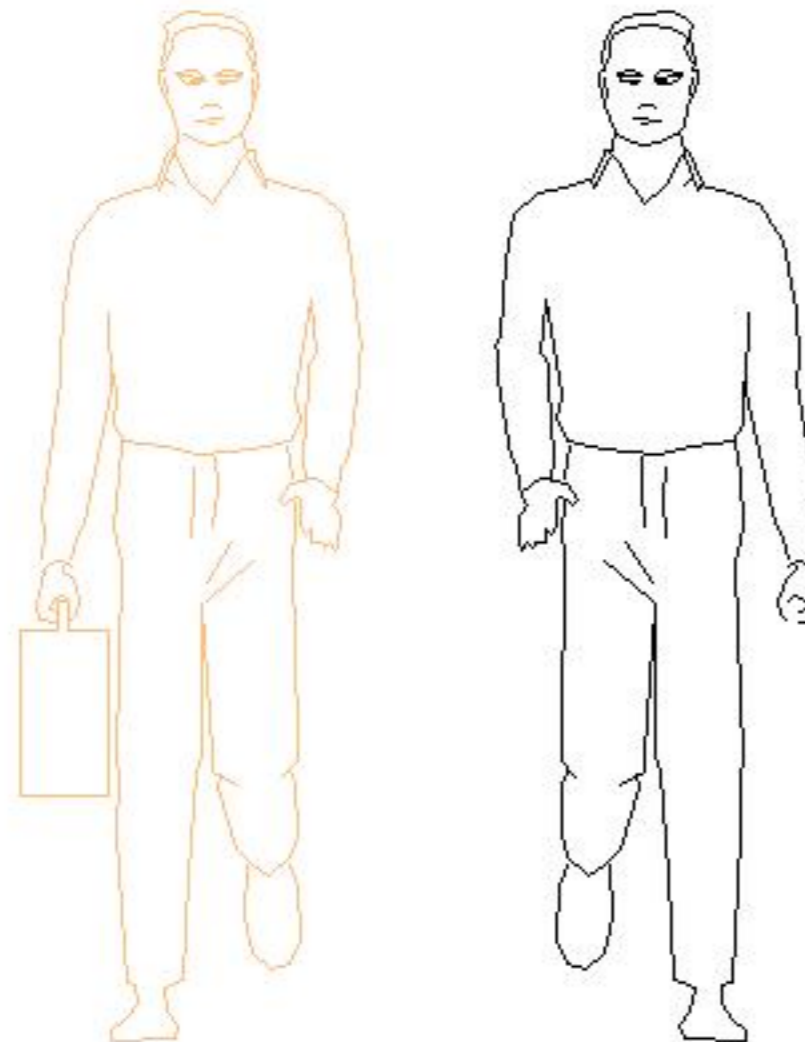
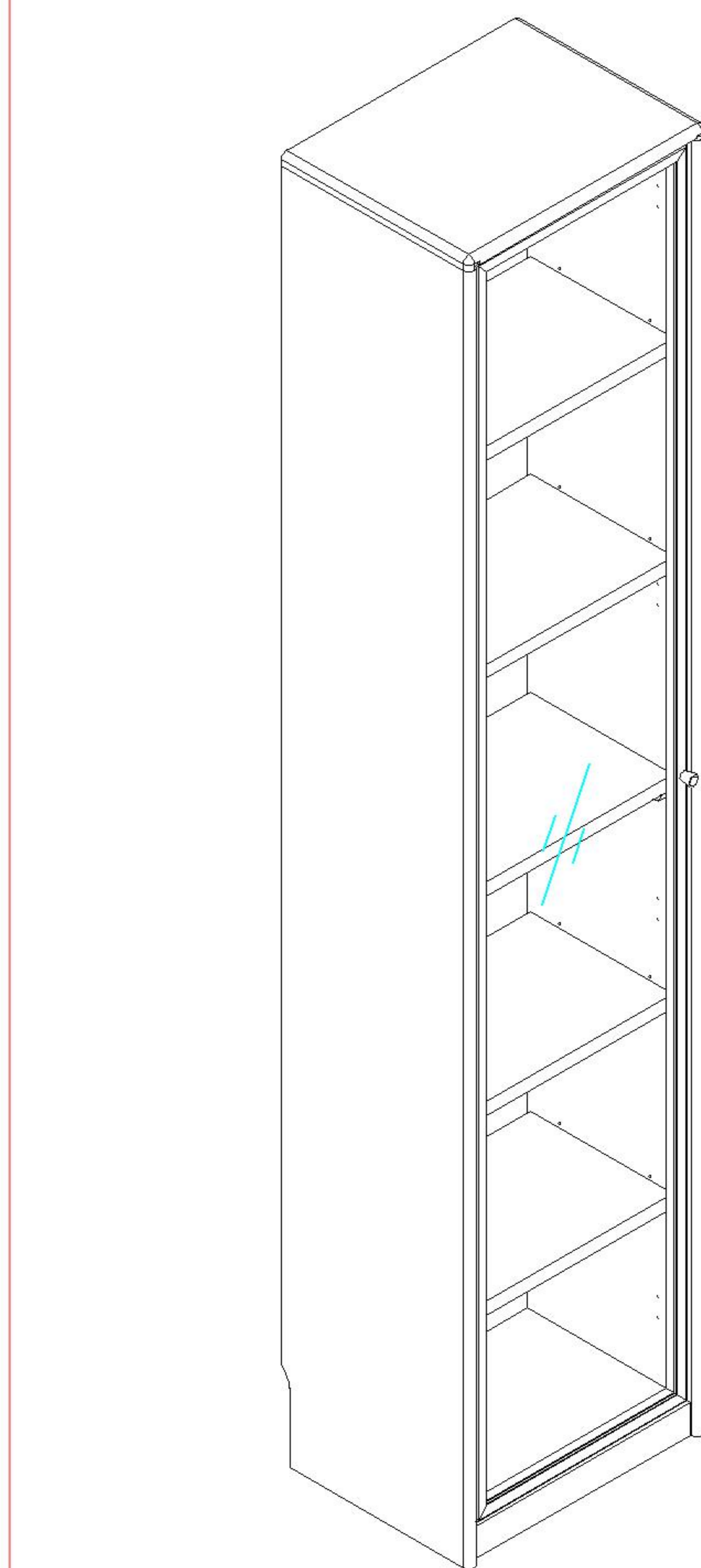
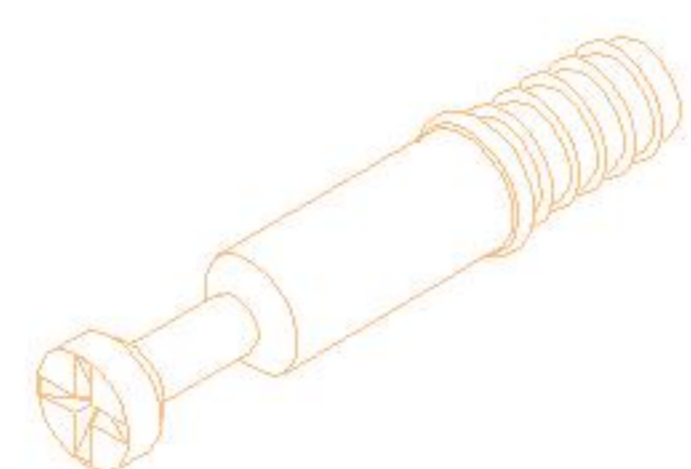
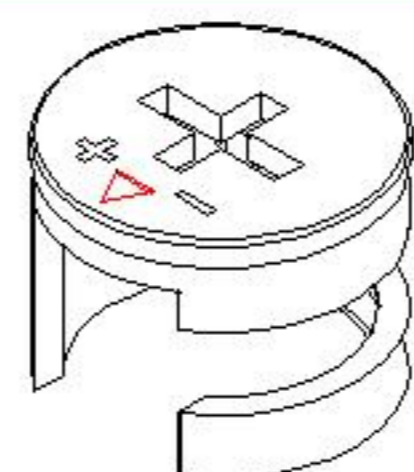
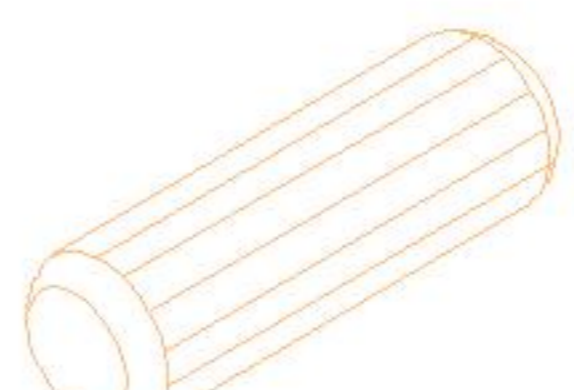
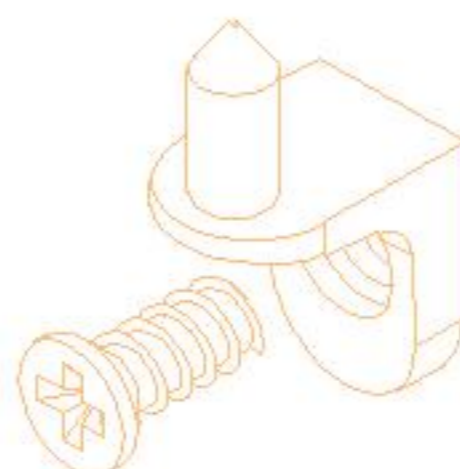
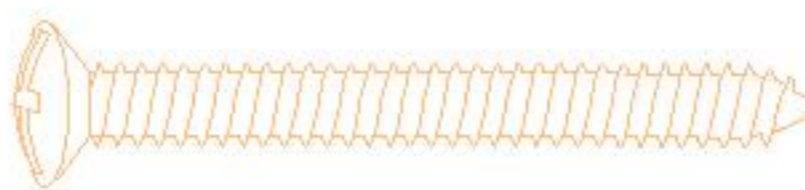

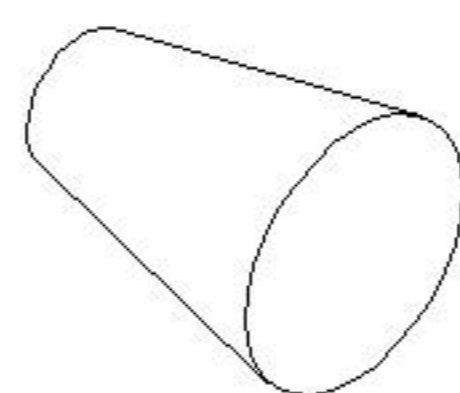
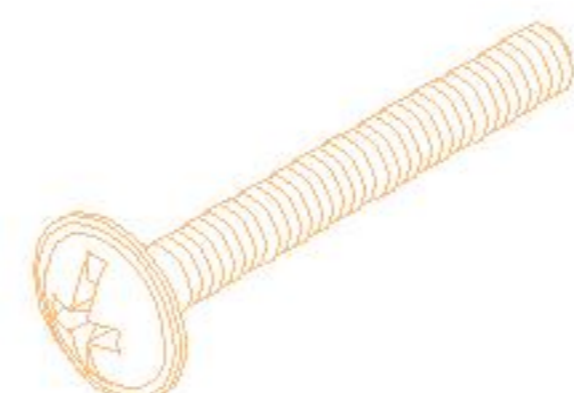
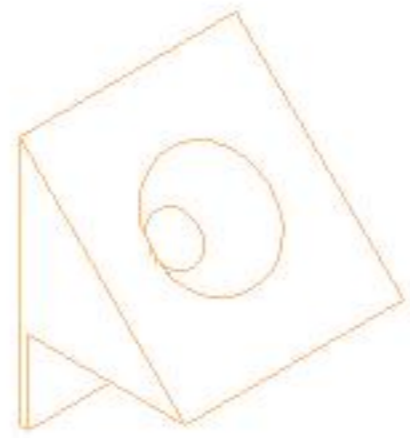
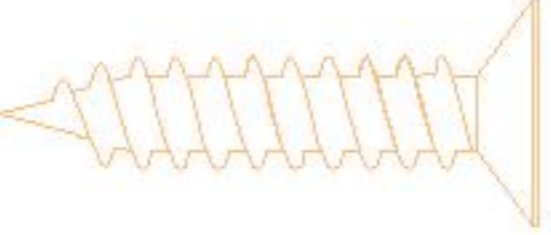
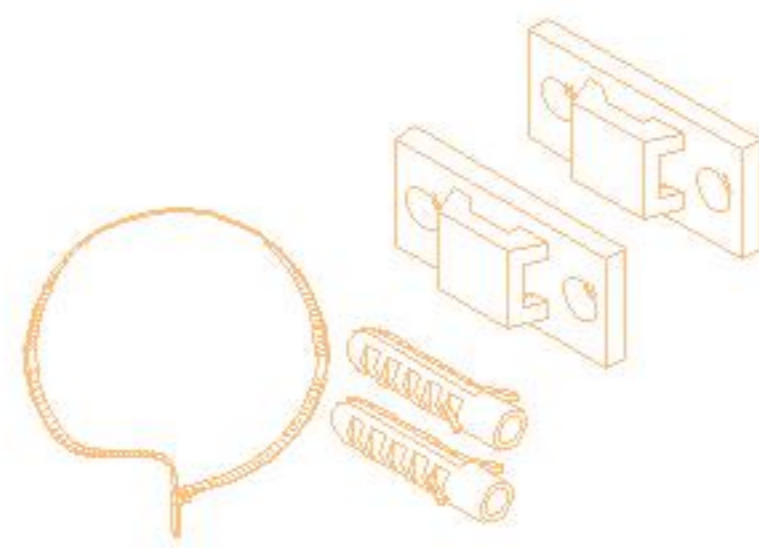



安装示意图/Assembly Instruction

产品名称 Model NO.	PK1X-A(0.4m)
产品规格 Specification	423*341*2001mm
安装工具 Tool	安装人数 Installer
	

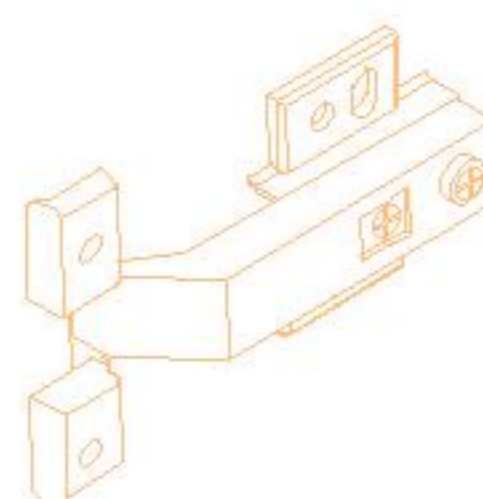


 (A)*1 二合一螺杆 2-in-1-screw	 (B)*1 大三合一锁饼 Three-in-one large lock	 (C)*6 木榫-∅8*30 Wood tenon	 (D)*16 层板托 Shelf support
 (E)*13 大扁白攻M4*30mm Flat head tapping screw	 (F)*13 垫片-M5 Shim	 (G)*1 拉手-铝合金黑色哑光 Handle	 (H)*1 拉手螺丝-M4x25mm Pulling screw
 (I)*6 背板扣 White buckle	 (J)*6 白攻螺丝M3.5*16mm Tapping screw	 (K)*2 家具防倒器-白色 Anti-fall device	 (L)*6 灰色毛毡垫 Foot pad

编号NO.	名称Name	规格 (mm) Specification	数量QTY	材质Material
①	面板 Top panel	423*330*18	1	实木 wood
②	底板 Bottom board	383*283*18	1	实木 wood
③	左侧板组立 Side board assembly(L)	1980*330*40	1	实木 wood
④	右侧板组立 Side board assembly(R)	1980*330*40	1	实木 wood
⑤	前拉条 Front brace	383*50*20	1	实木 wood
⑥	固定层板 Fixed shelf	383*260*18	1	实木 wood
⑦	活动层板 Movable shelf	382*260*18	4	实木 wood
⑧	背板 Back board	1942*393*8	1	实木 wood
⑨	五金门 Hardware door	1924*377*21	1	铝合金+玻璃 aluminium alloy+Glass

铝合金门框内自带五金

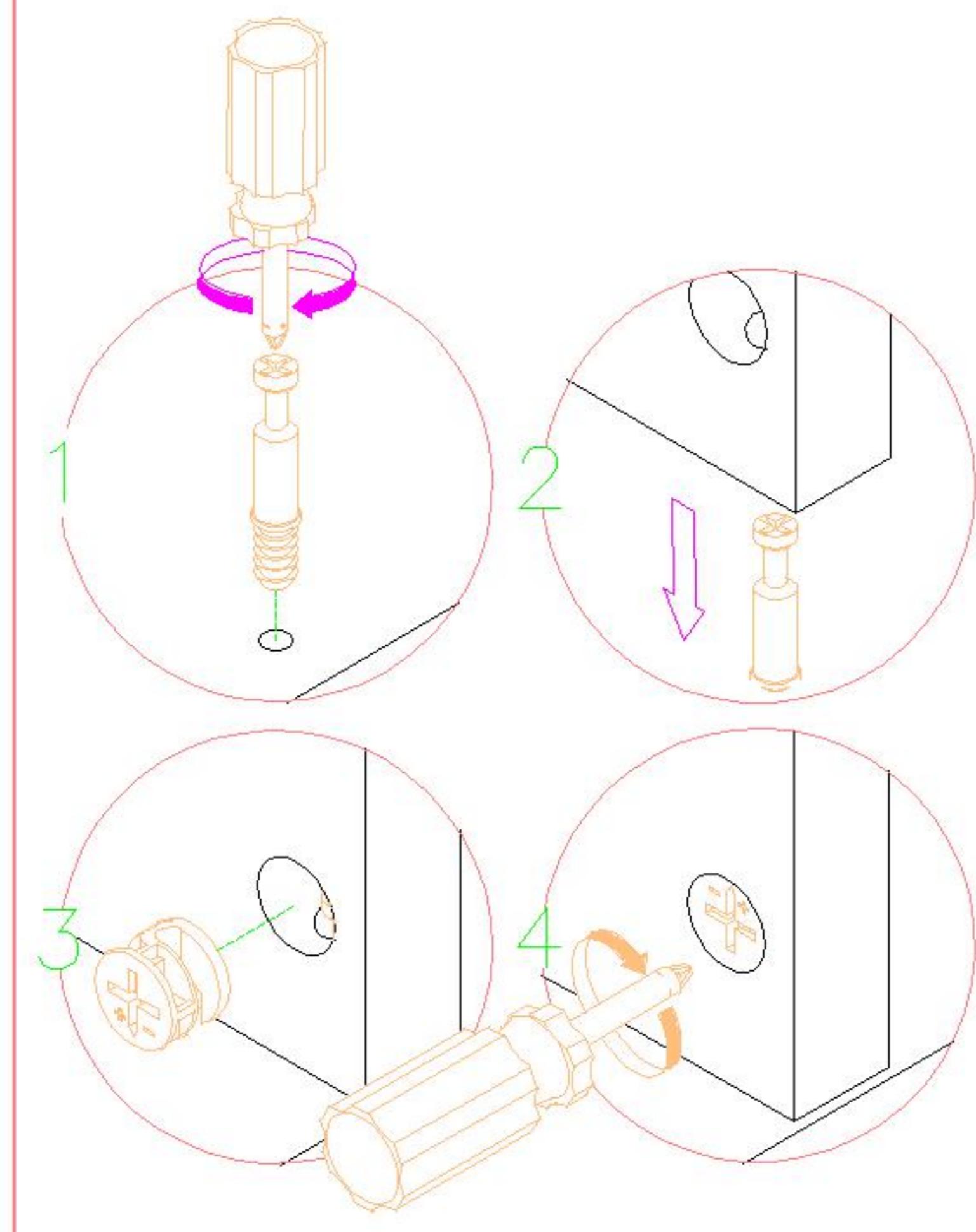
Aluminum alloy door frame with hardware

 (M)*4 大弯铝框门铰 Large bend aluminum frame door hinge
--

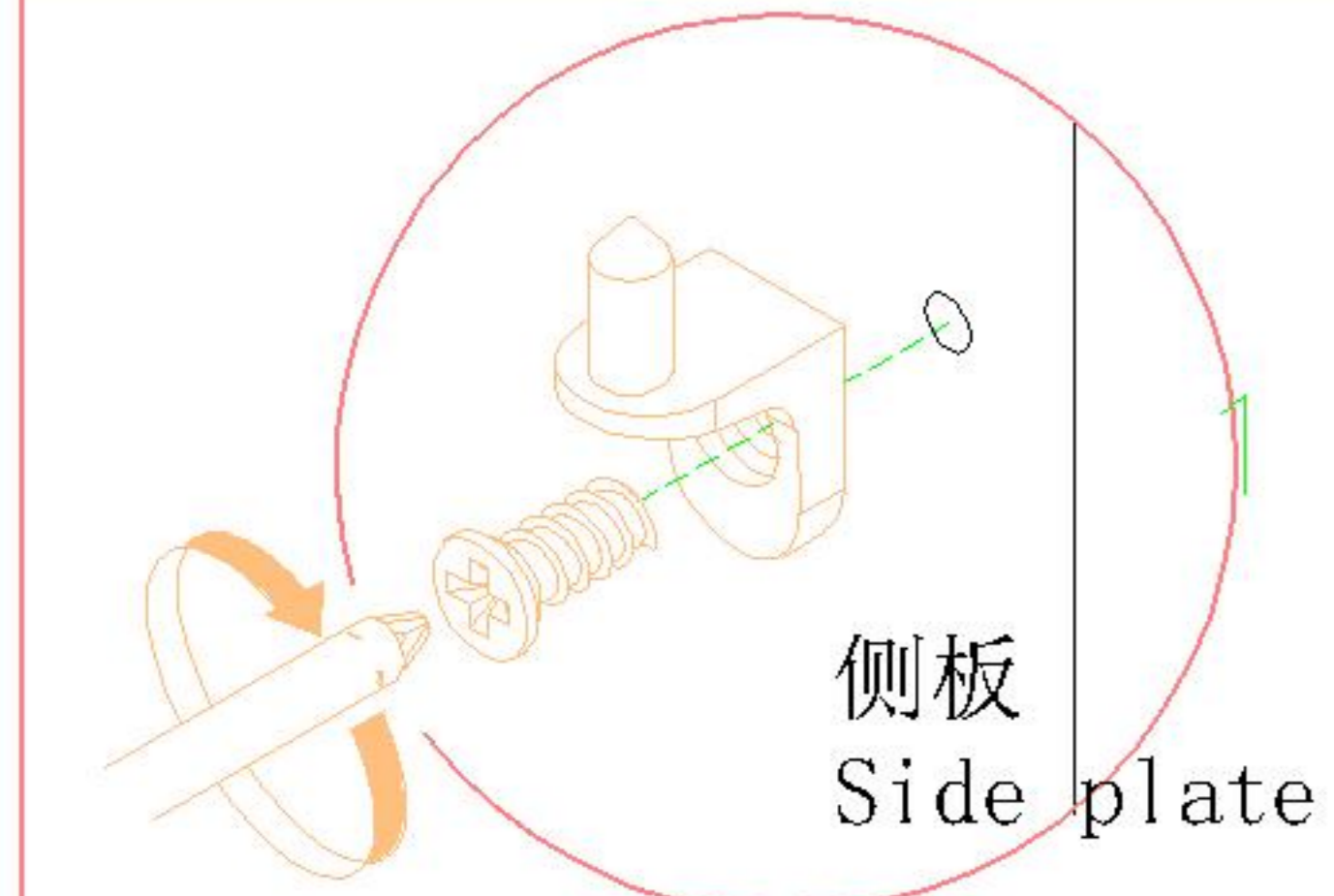
PK1X-A(0.4m)

安装方法

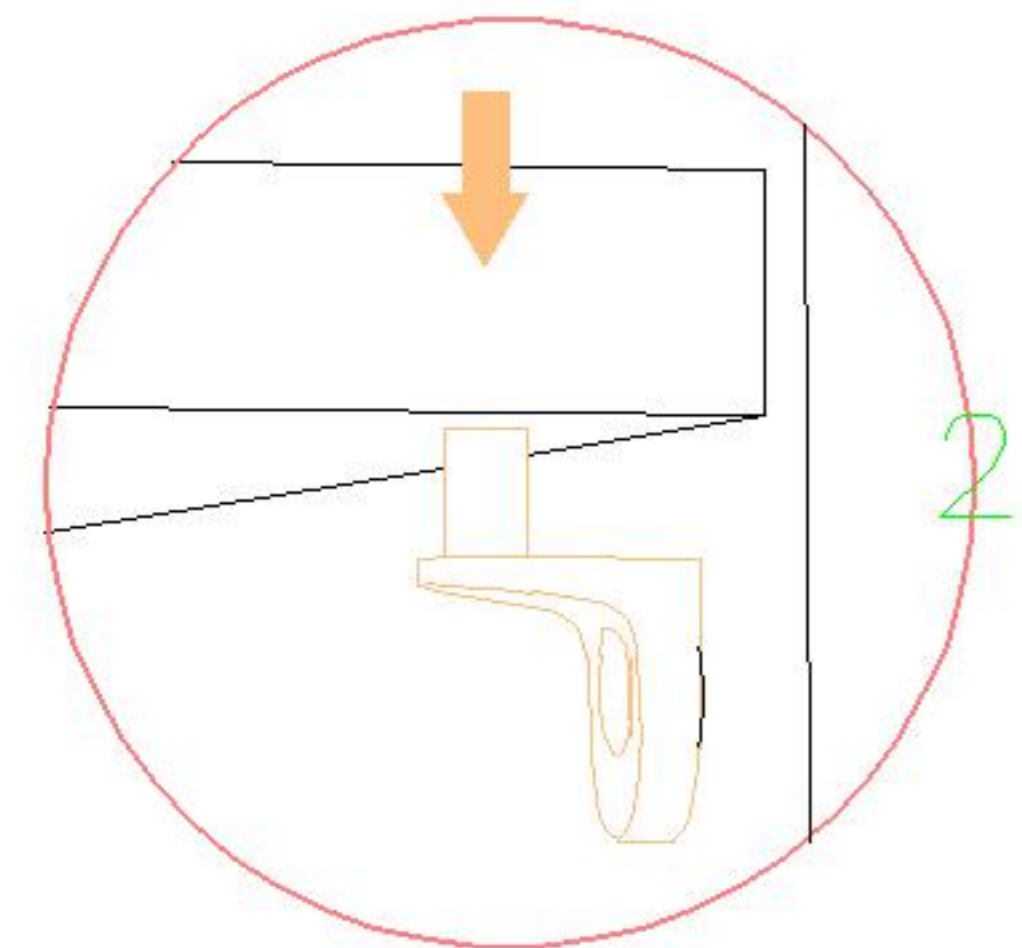
Installation method



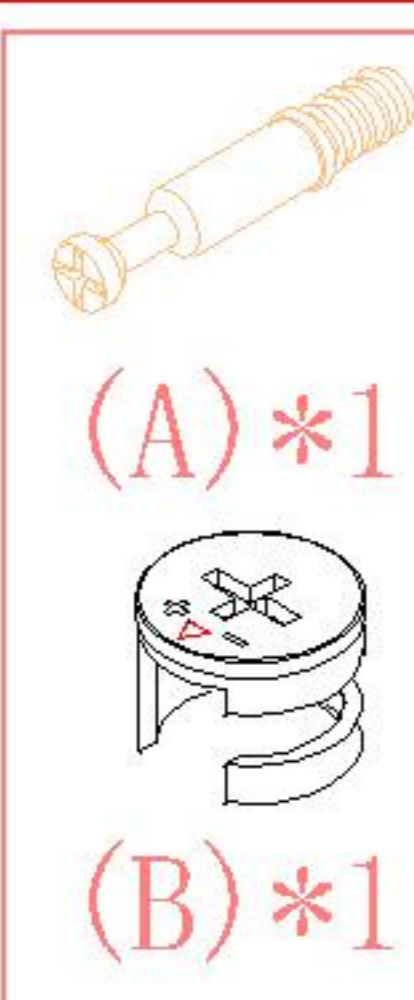
大二合一 two-in-one



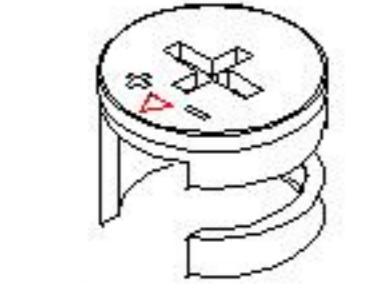
侧板
Side plate



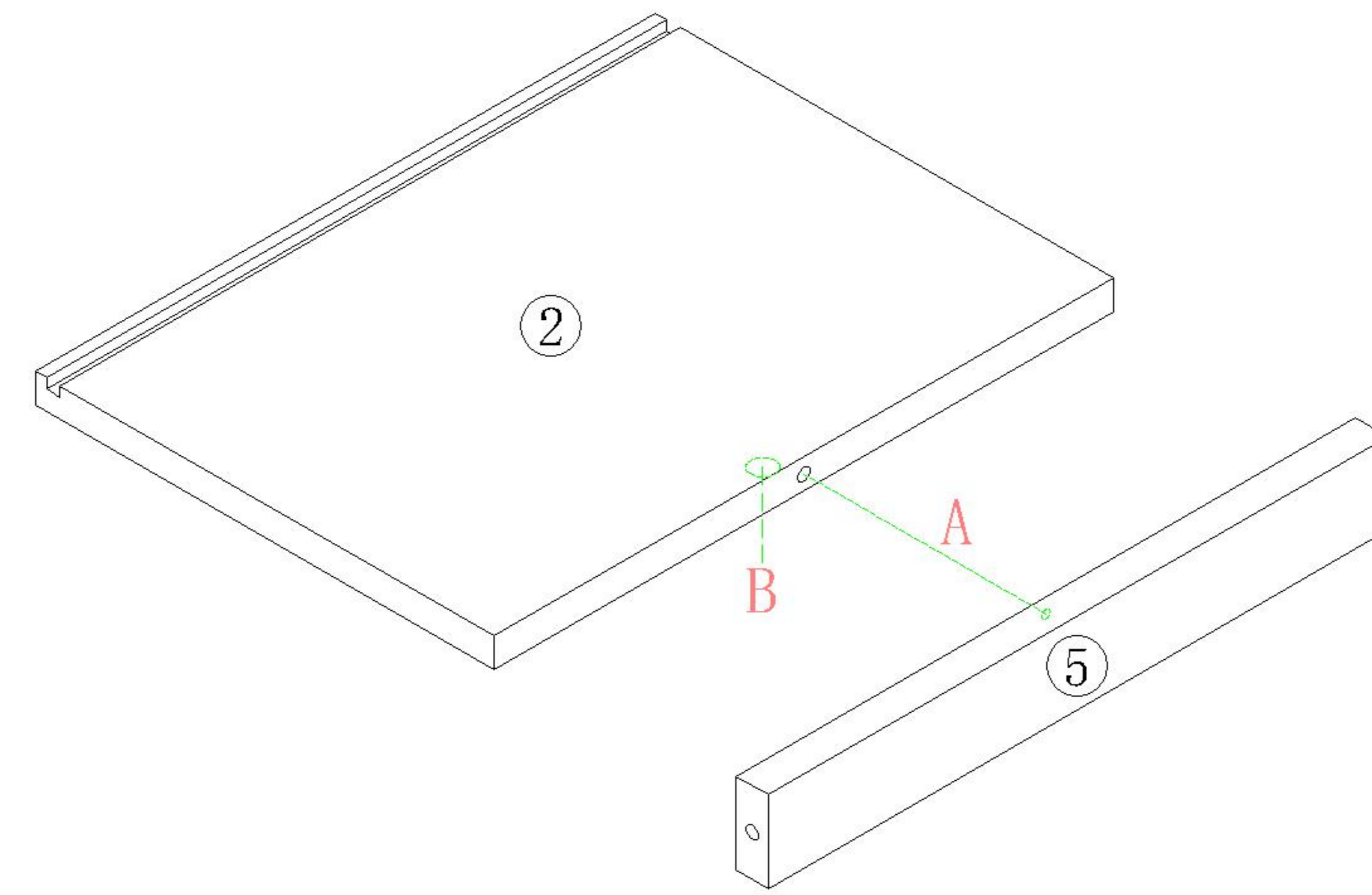
层板托5mm
shelf support



(A)*1



(B)*1



(C)*2



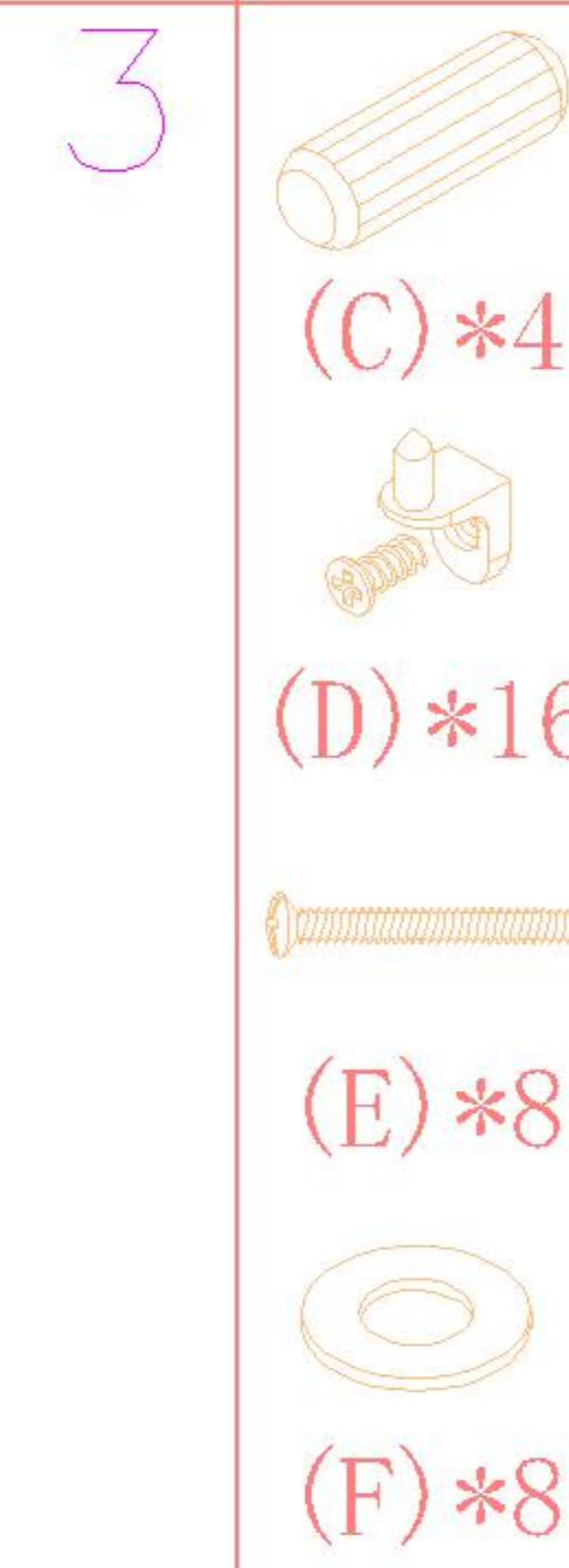
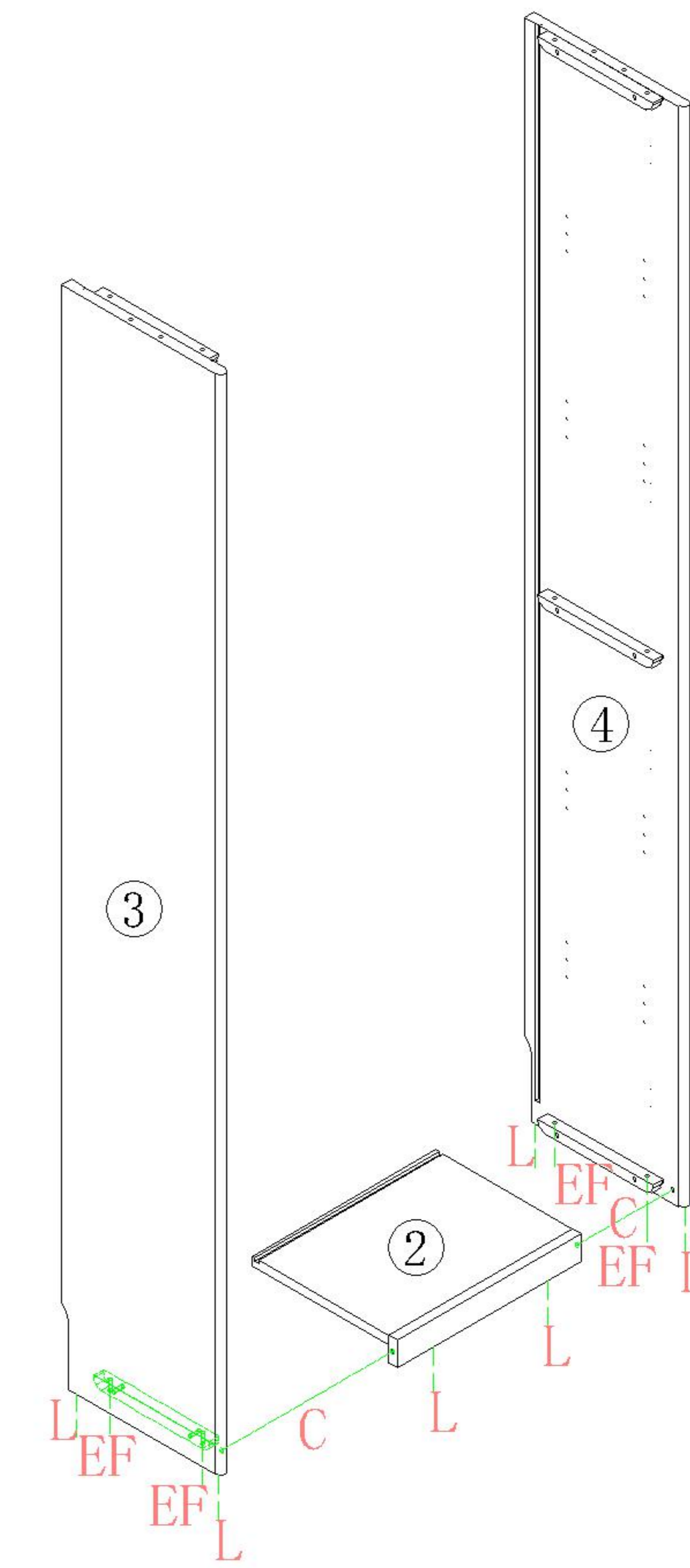
(E)*4



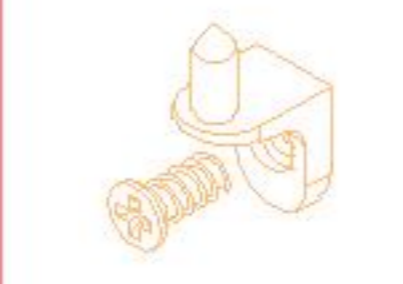
(F)*4



(L)*6



(C)*4



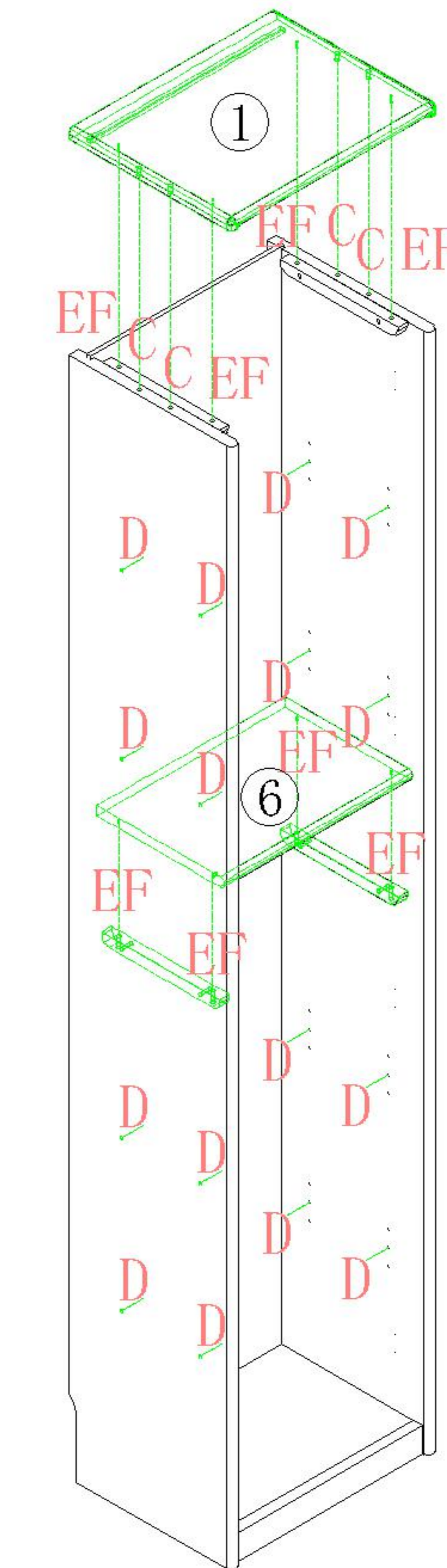
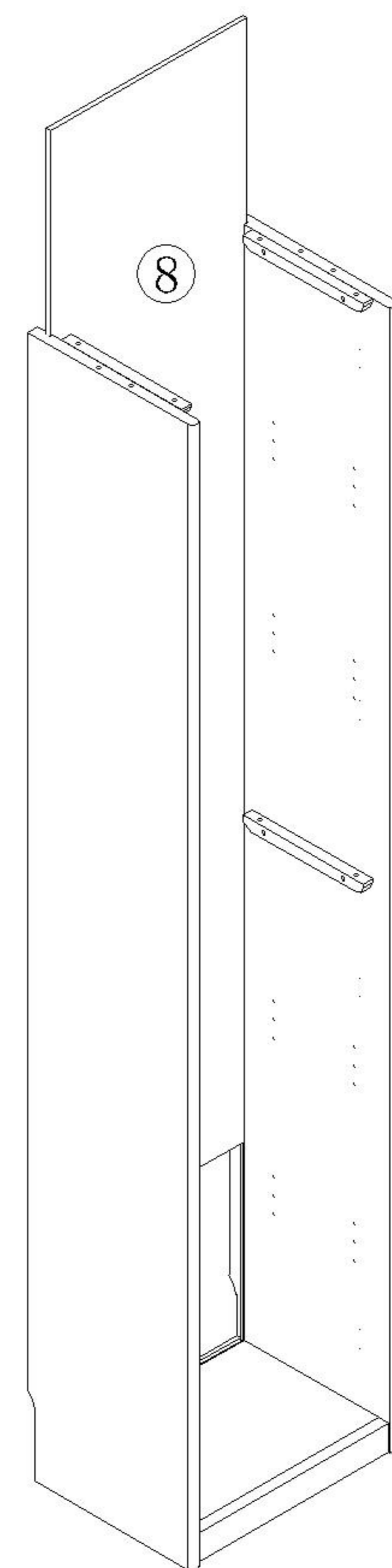
(D)*16



(E)*8



(F)*8



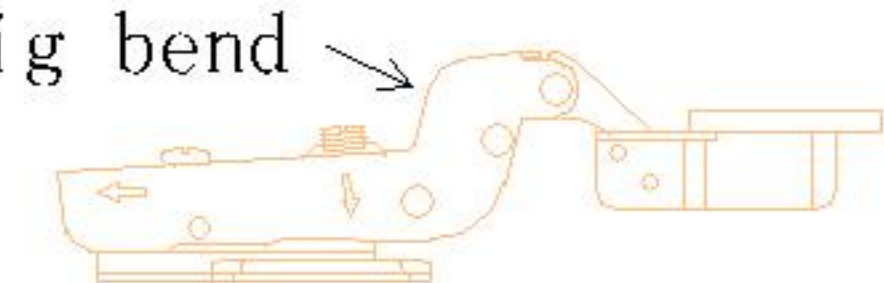
2

4

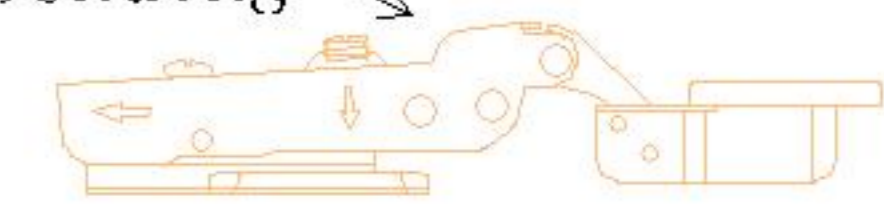
PK1X-A(0.4m)

安装方法 Installation method

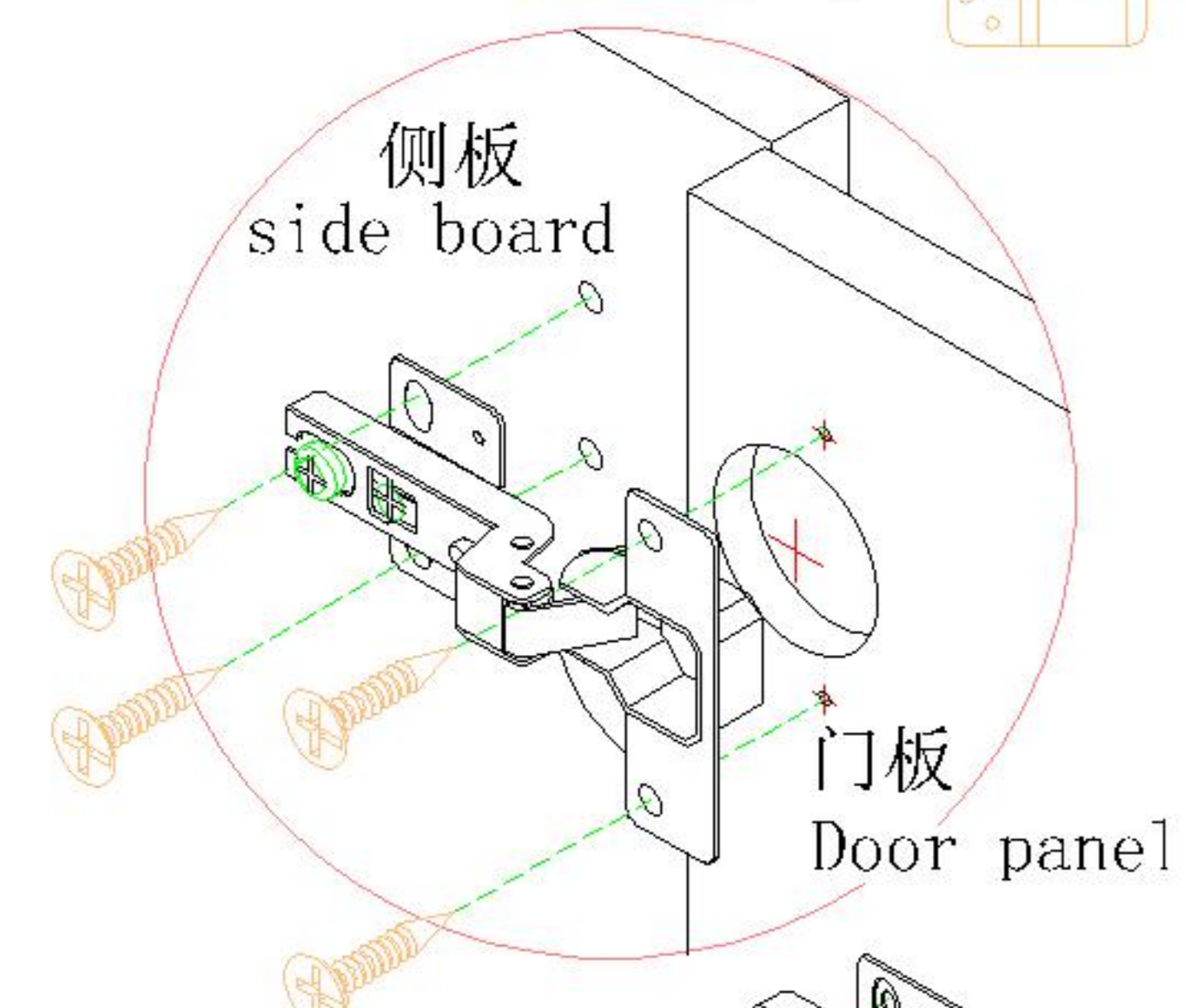
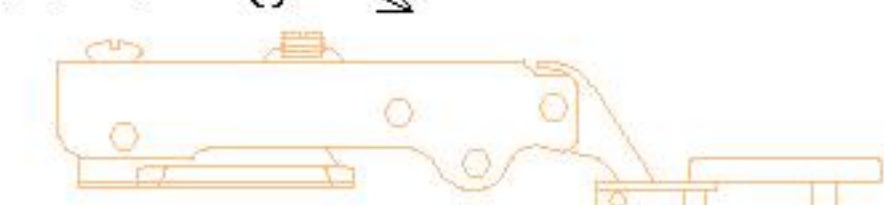
大弯big bend



中弯middle bending



直弯straight bending



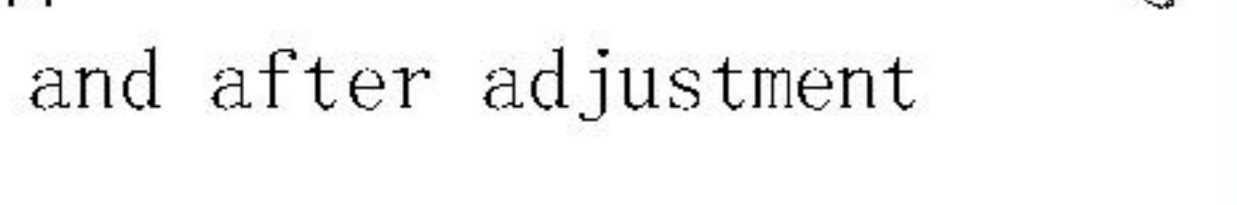
调节上下
Adjust up and down



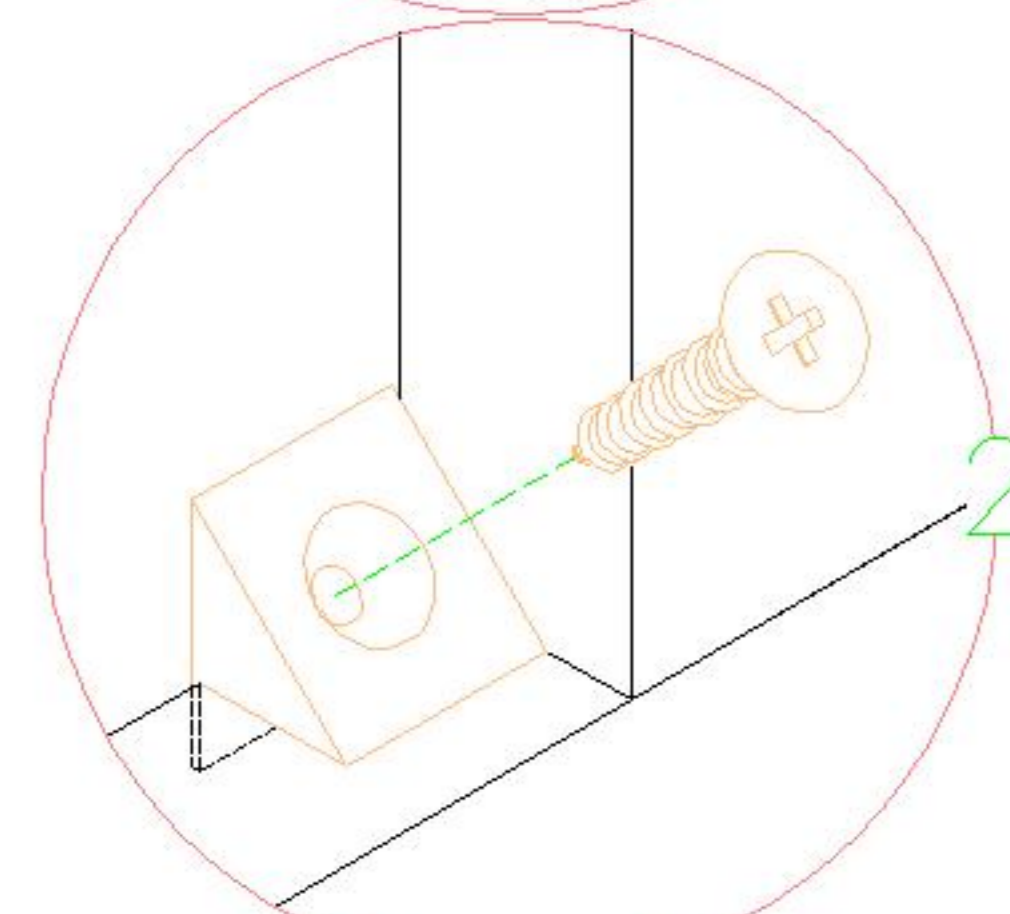
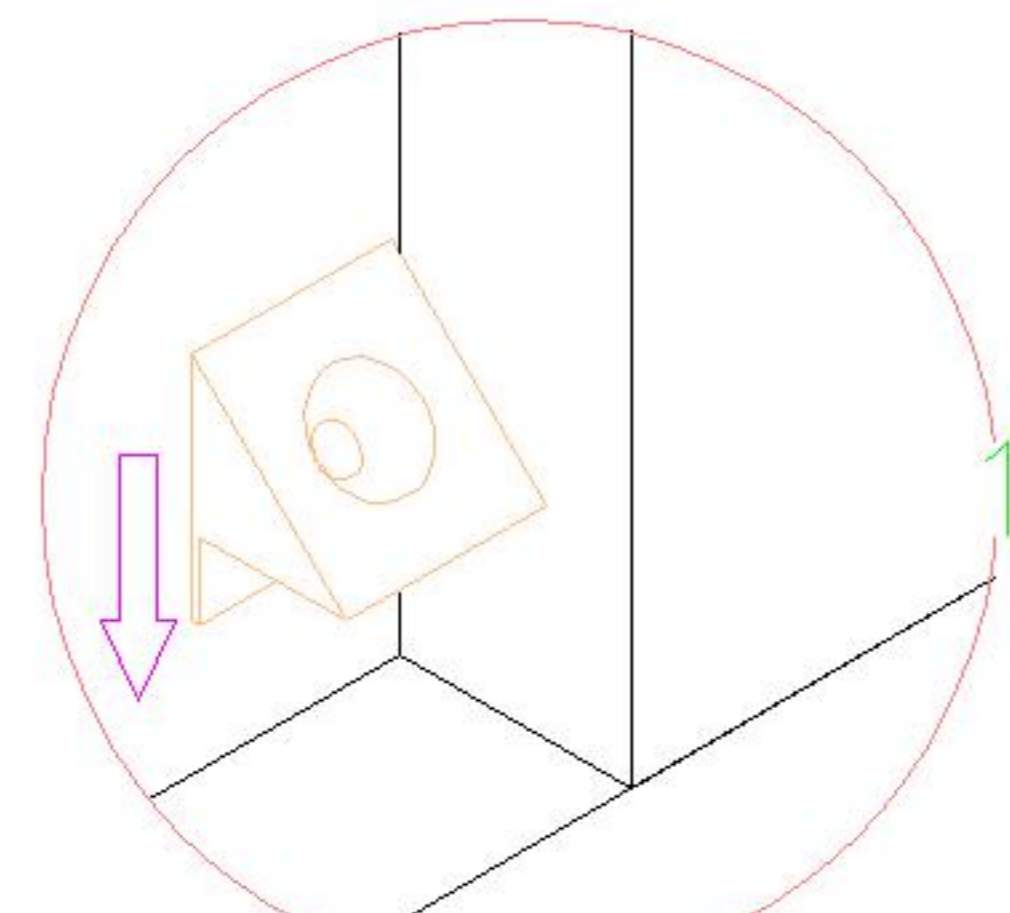
调节左右
Adjust left and right



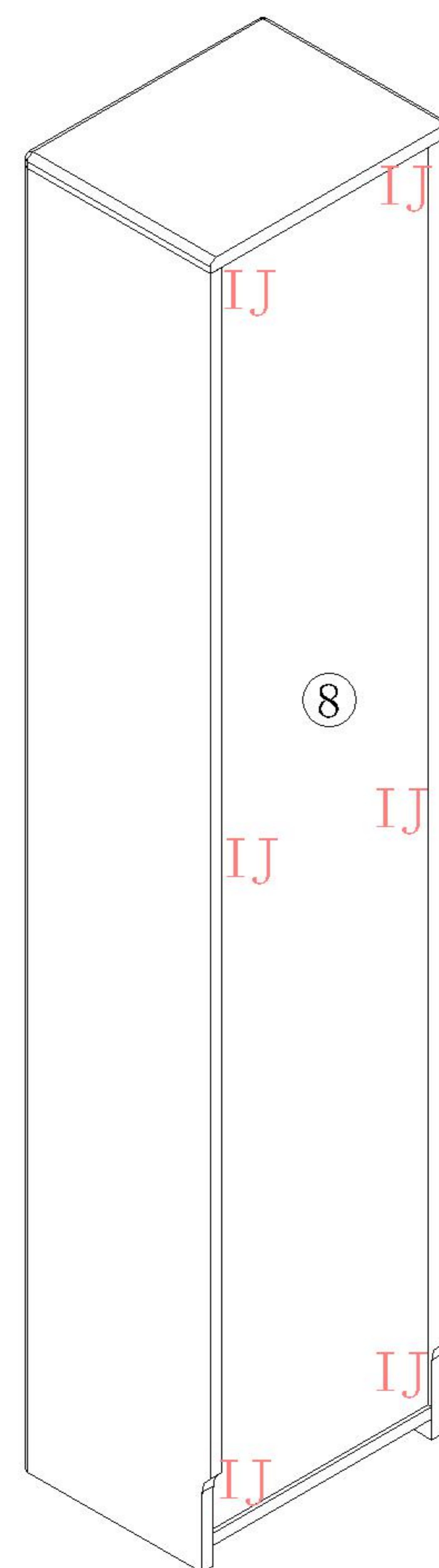
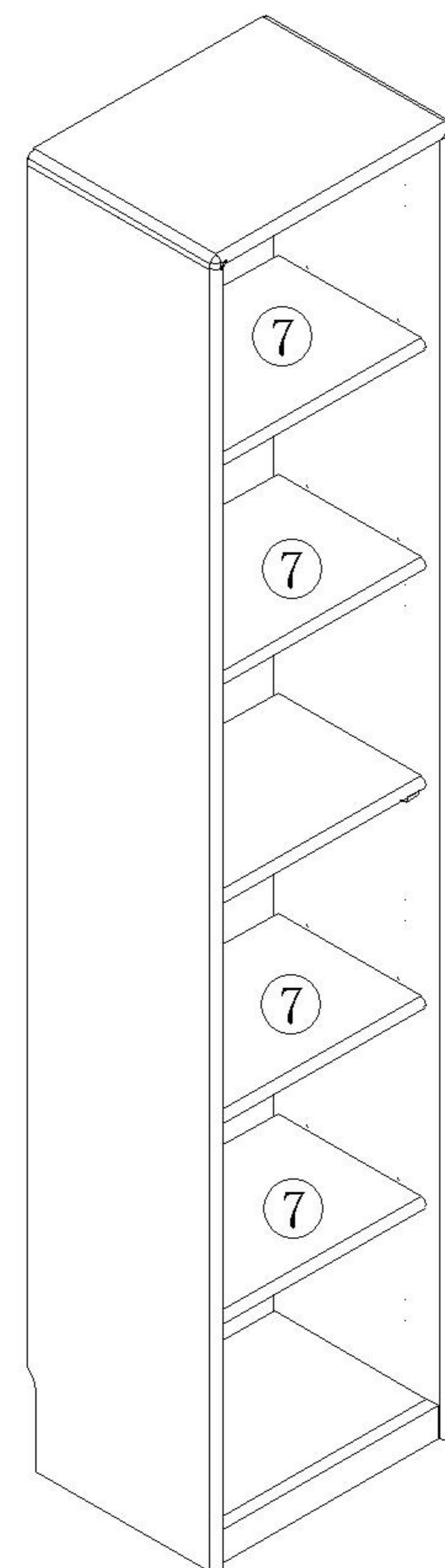
调节前后
Before and after adjustment



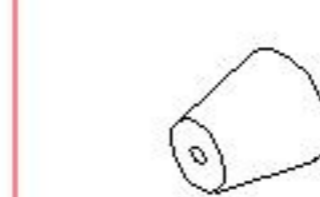
门铰Hinge



背板扣
Back Plate Buckle



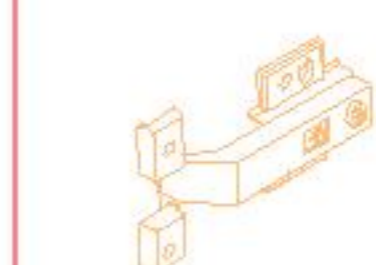
5



(G)*1

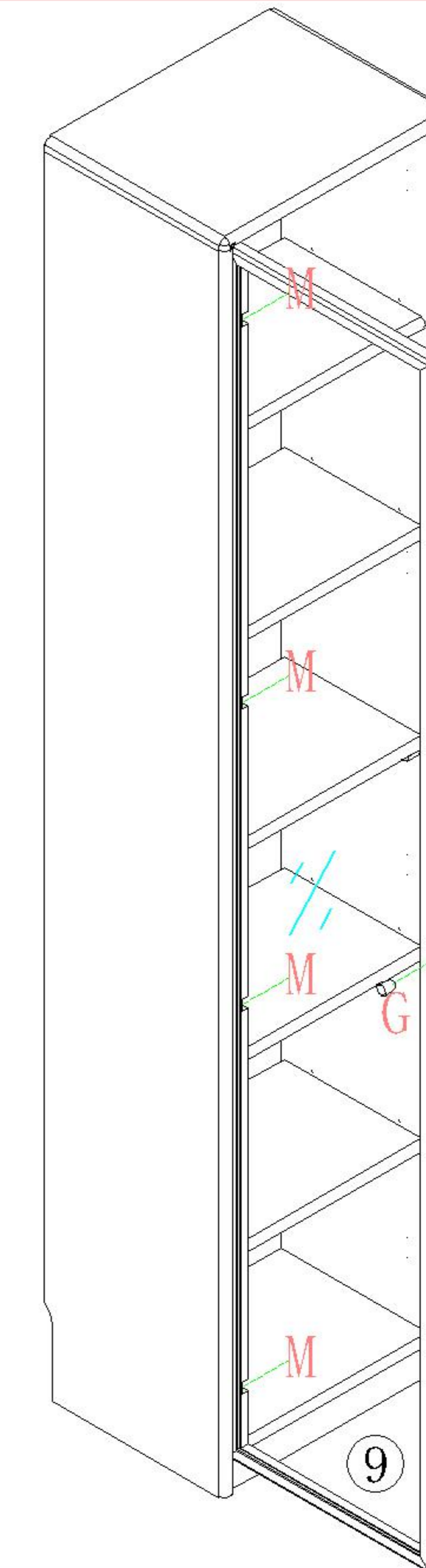


(H)*1



(M)*4

6

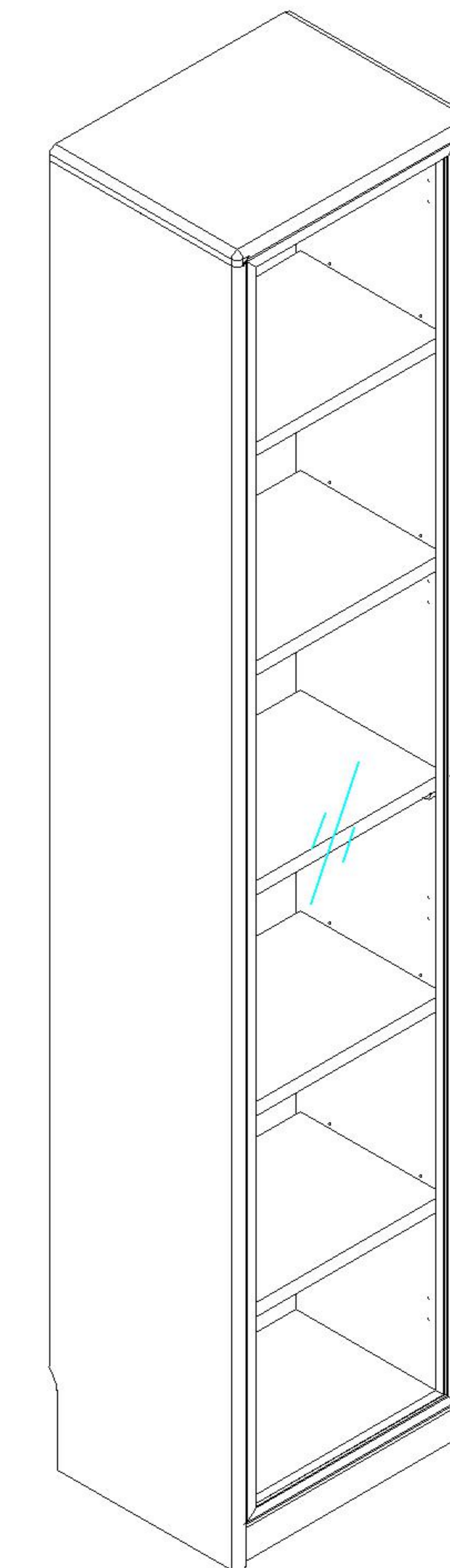


提示：五金门可左右
互换安装

Note: the hardware door can be
interchanged and installed
left and right

7

8



安装方法
Installation method

(K)*2

