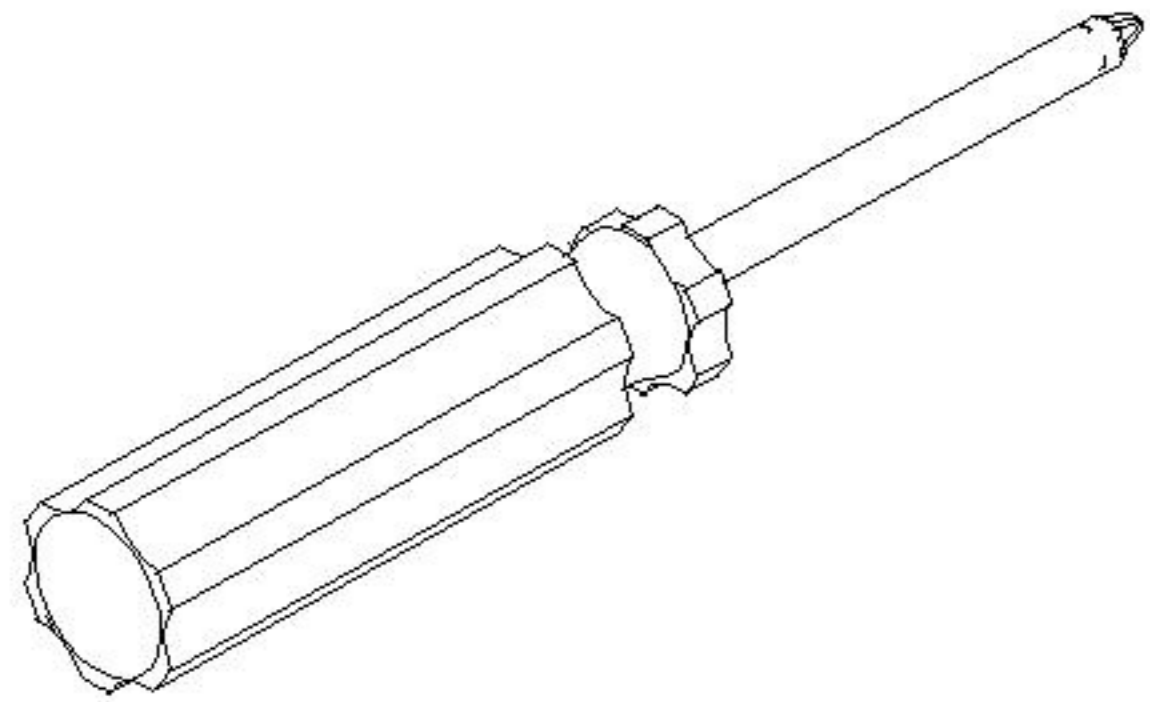
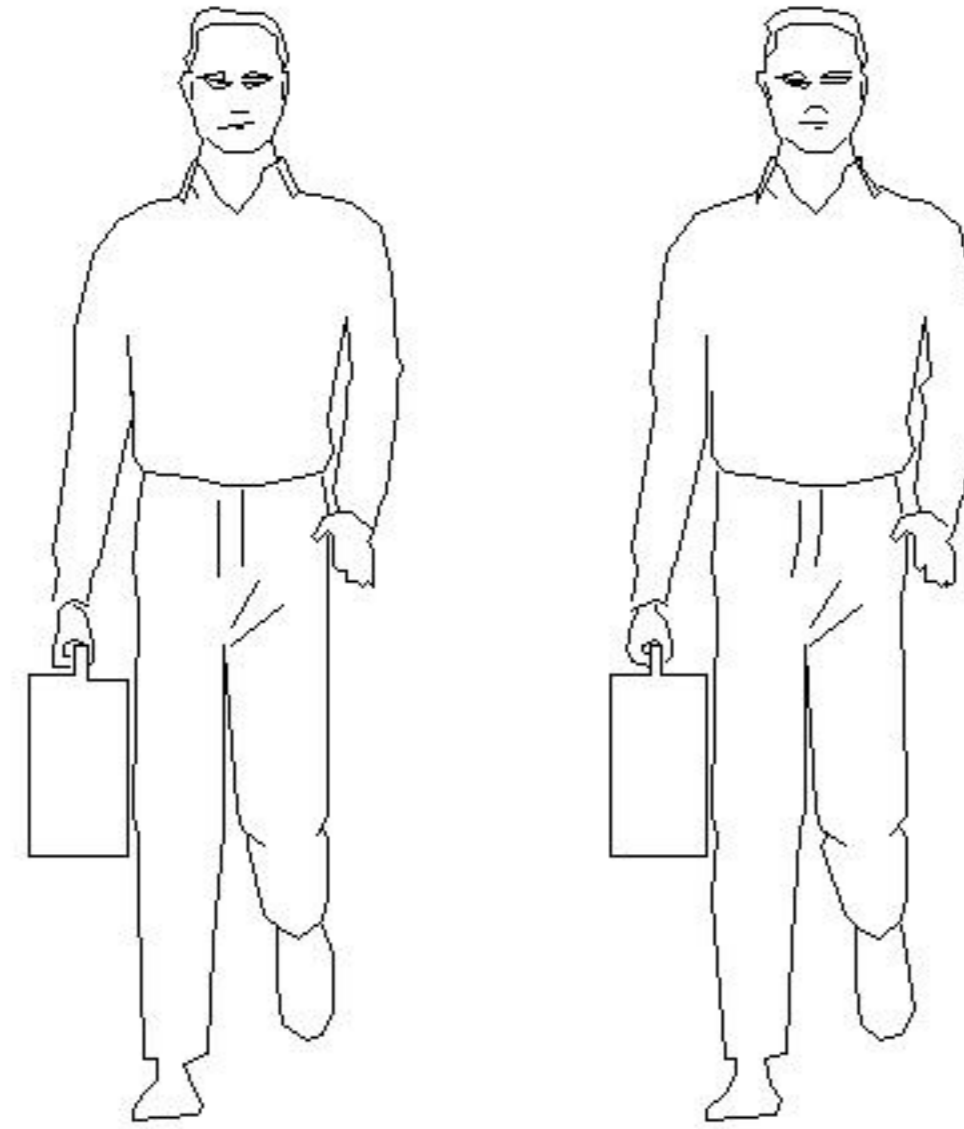
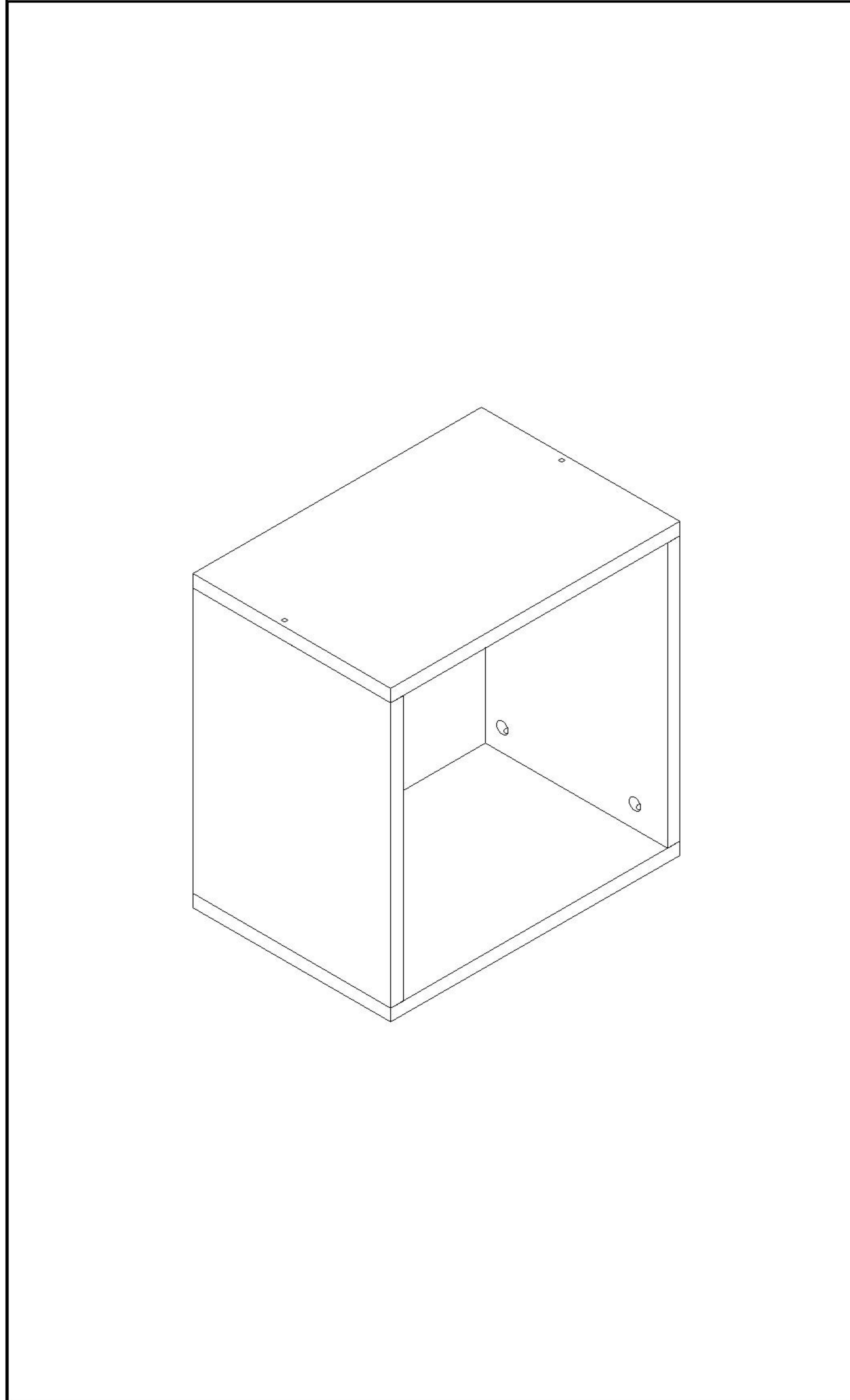
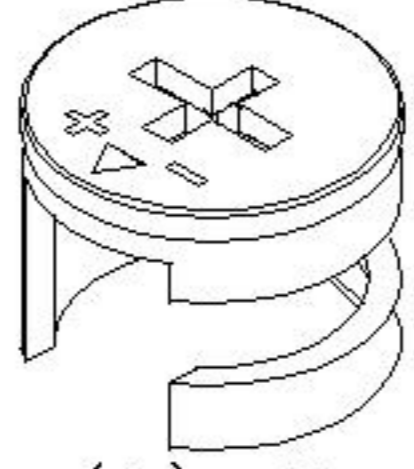
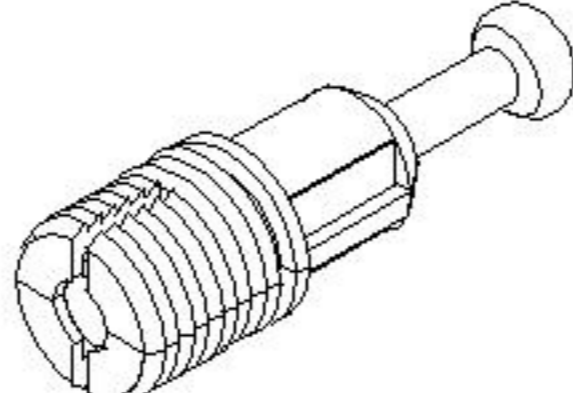
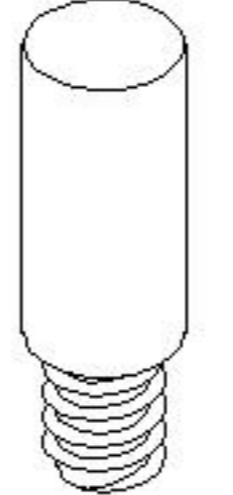
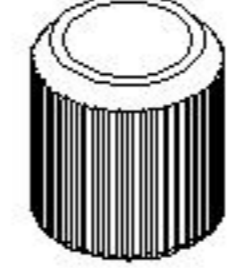
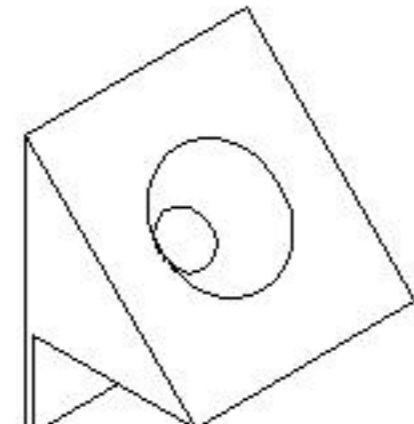
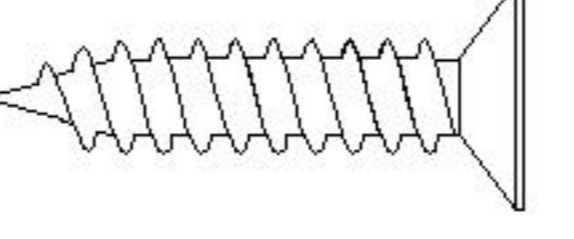
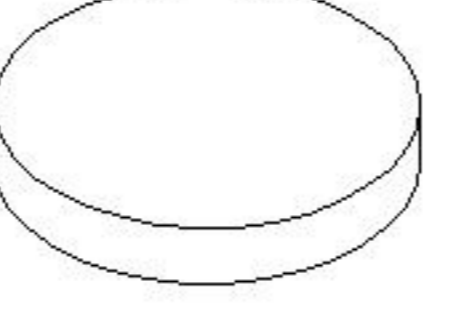


安装示意图/Assembly Instruction

产品名称 Model NO.	JF2X-B
产品规格 Specification	350*240*350MM
安装工具 Tool	安装人数 Installer
	

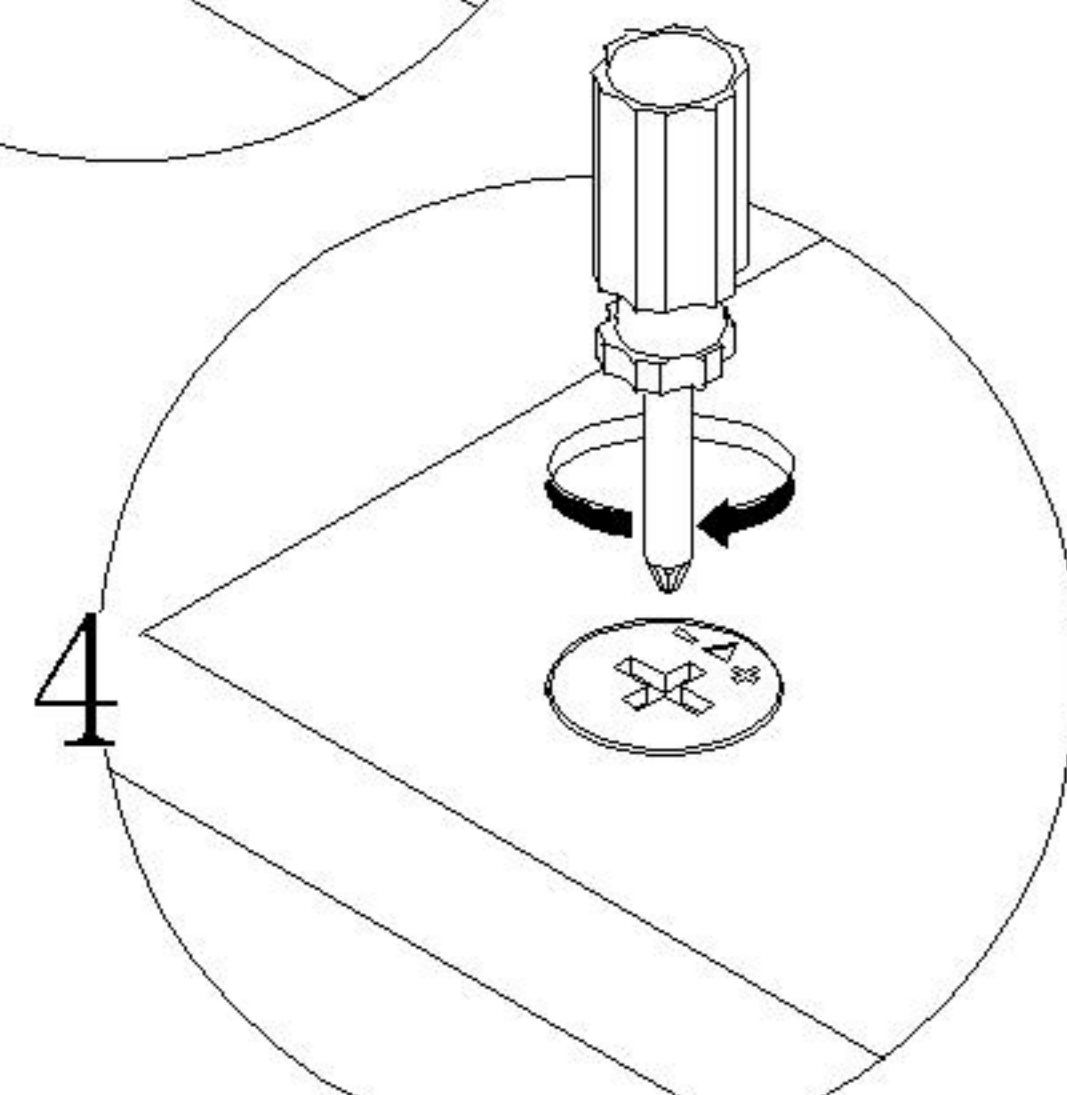
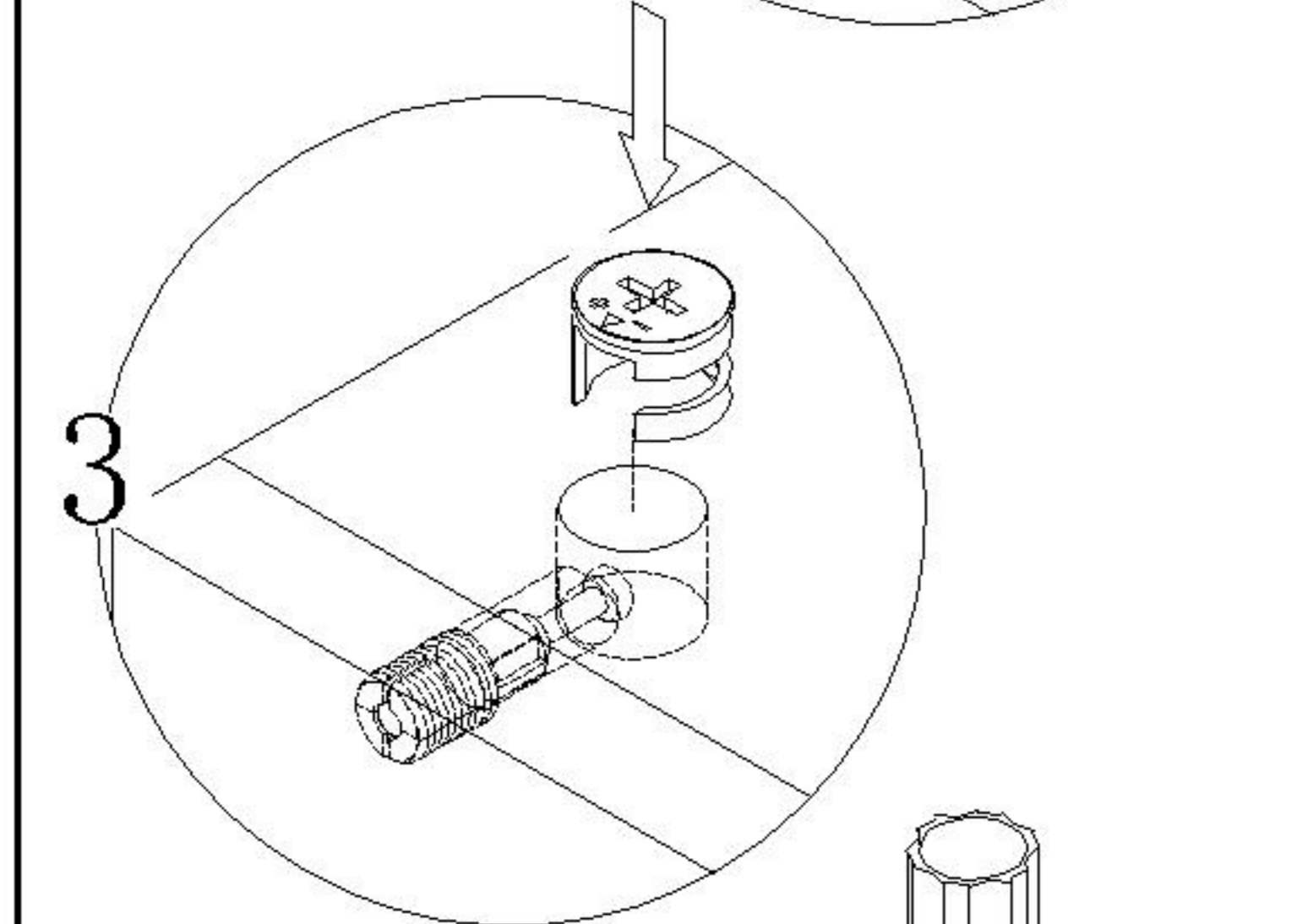
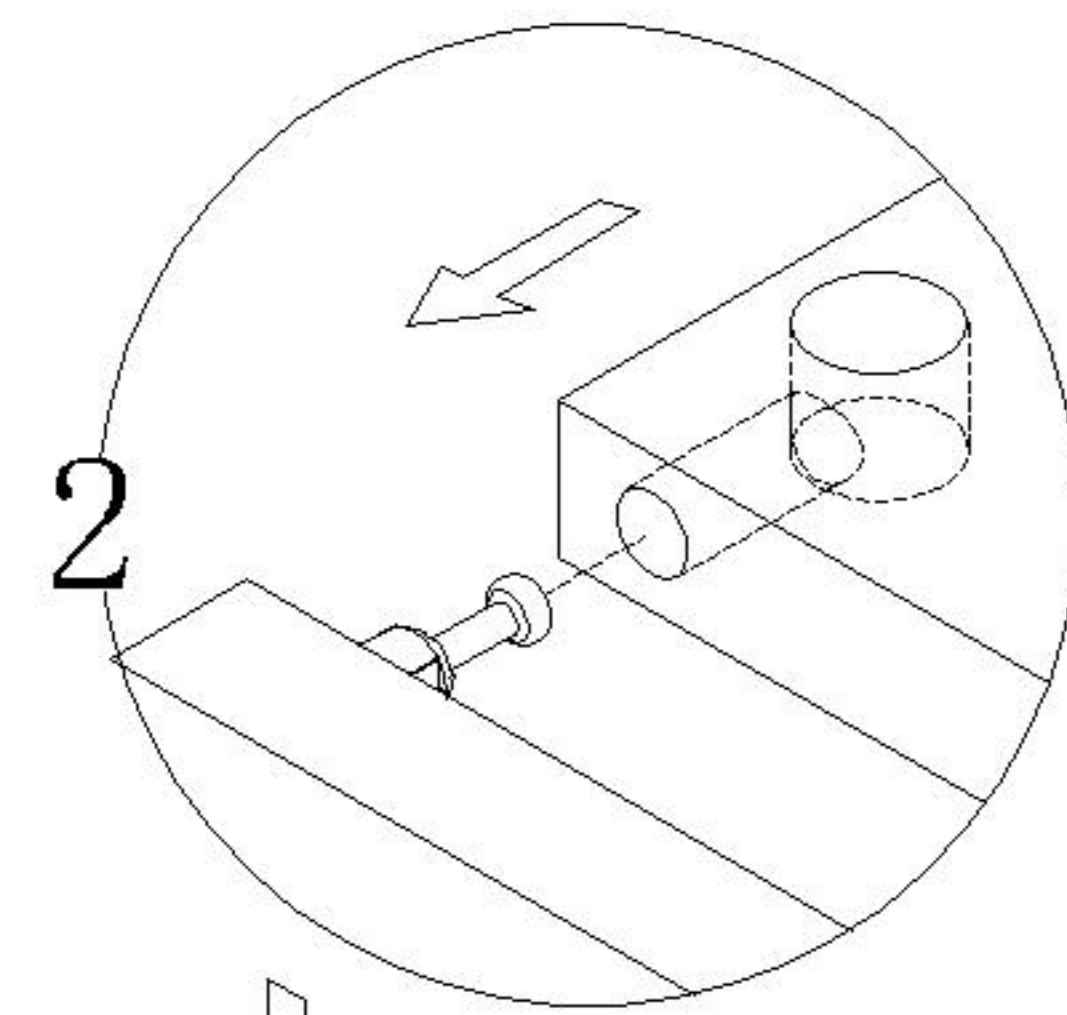
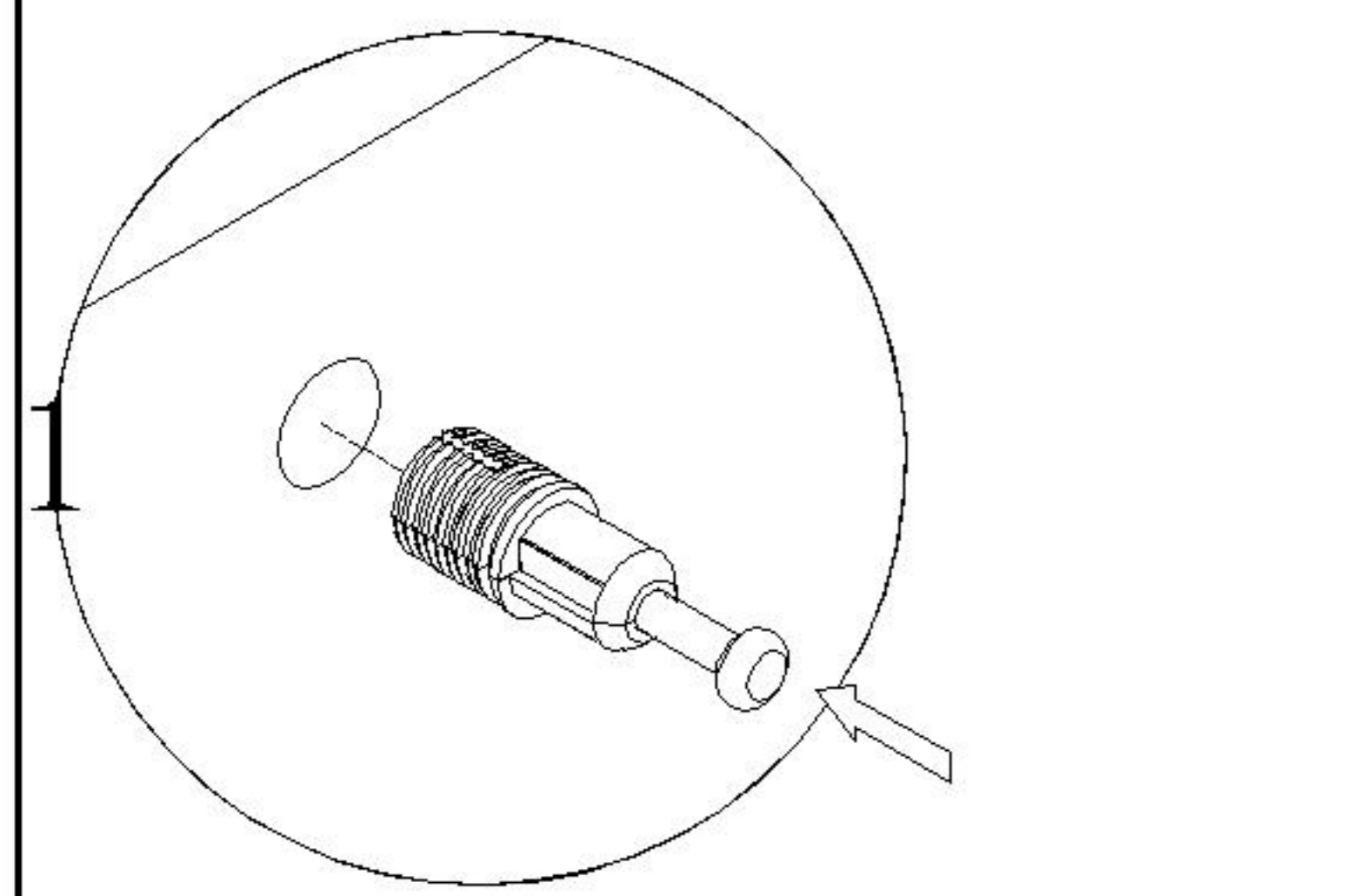


 (A)*8 大三合一锁饼 3-in-1 large lock	 (B)*9 二合一螺杆 2-in-1-screw	 (C)*2 活动层板托(杆) Movable laminate support (rod)	 (D)*2 活动层板托(帽) Movable laminate support (cap)
 (E)*4 背板扣 White buckle	 (F)*4 自攻螺丝M3.5*16 Tapping screw	 (G)*4 脚垫-灰色毛毡 Foot pad	

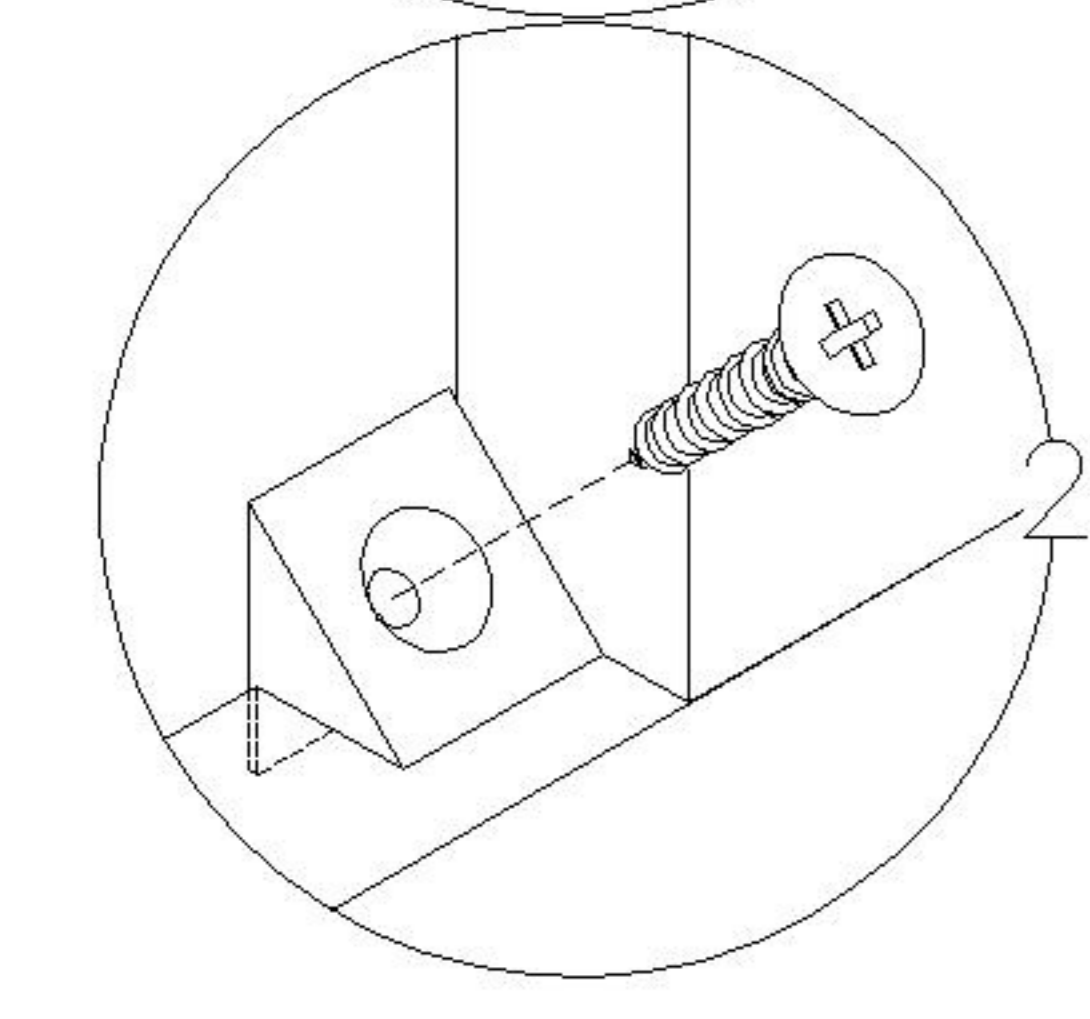
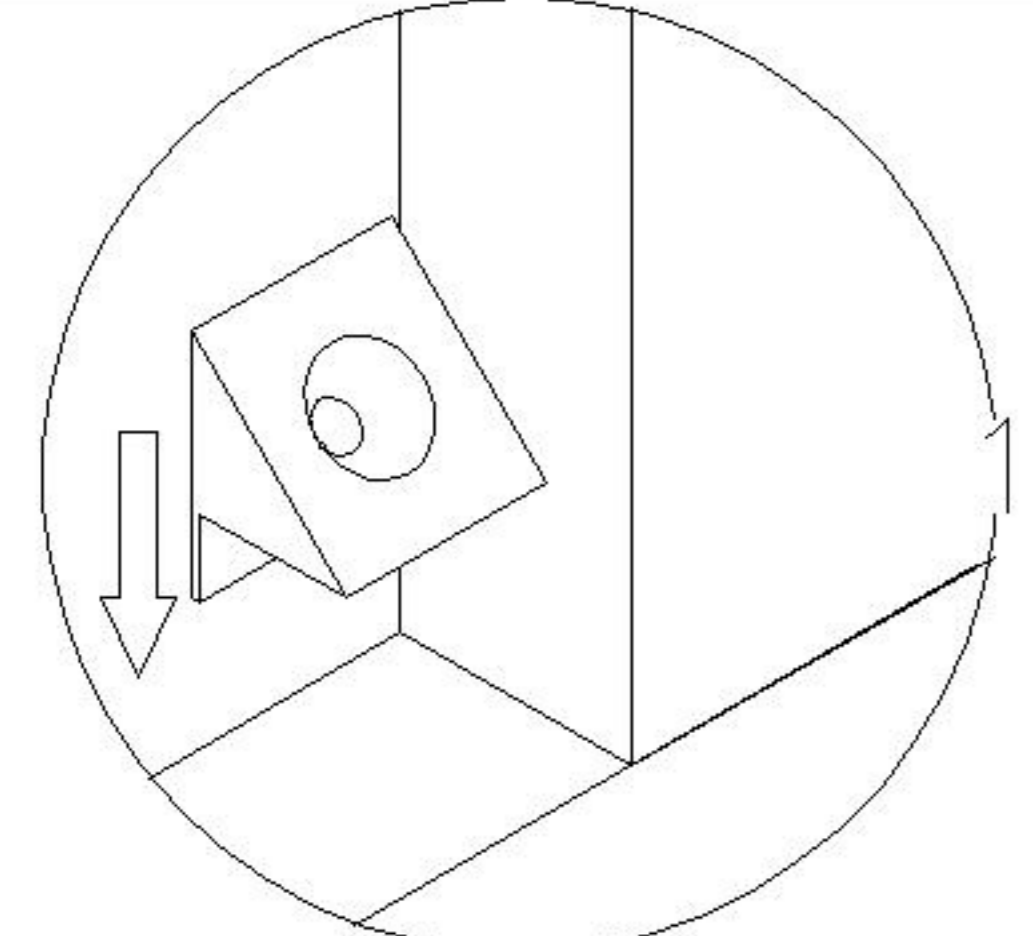
编号NO.	名称Name	规格 (MM) Specification	数量QTY	材质Material
1	顶底板Top base board	350*240*15	2	三胺板 Melamine
2	侧板Side board	320*240*15	2	三胺板 Melamine
3	背板Back board	330*330*5	1	三胺板 Melamine

JF2X-B

安装方法
Installation method



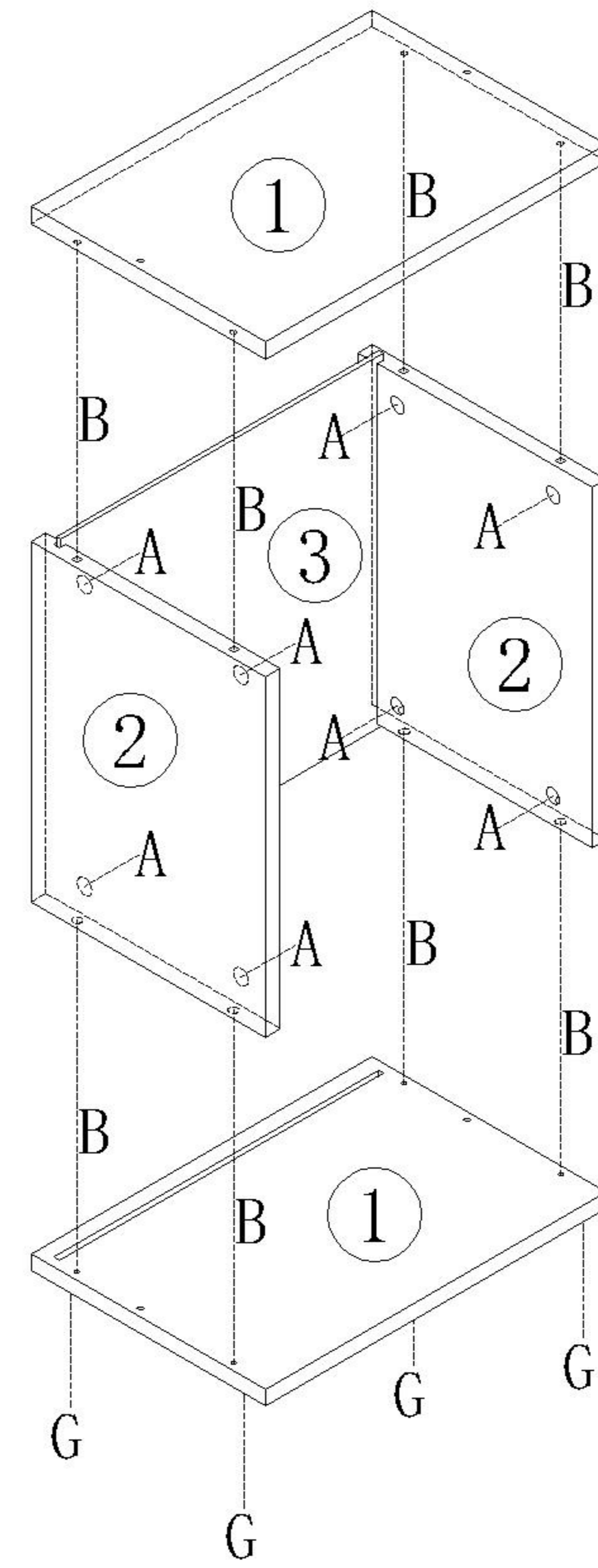
大二合一 (新型)
two-in-one (new type)



背板扣
Back Plate Buckle

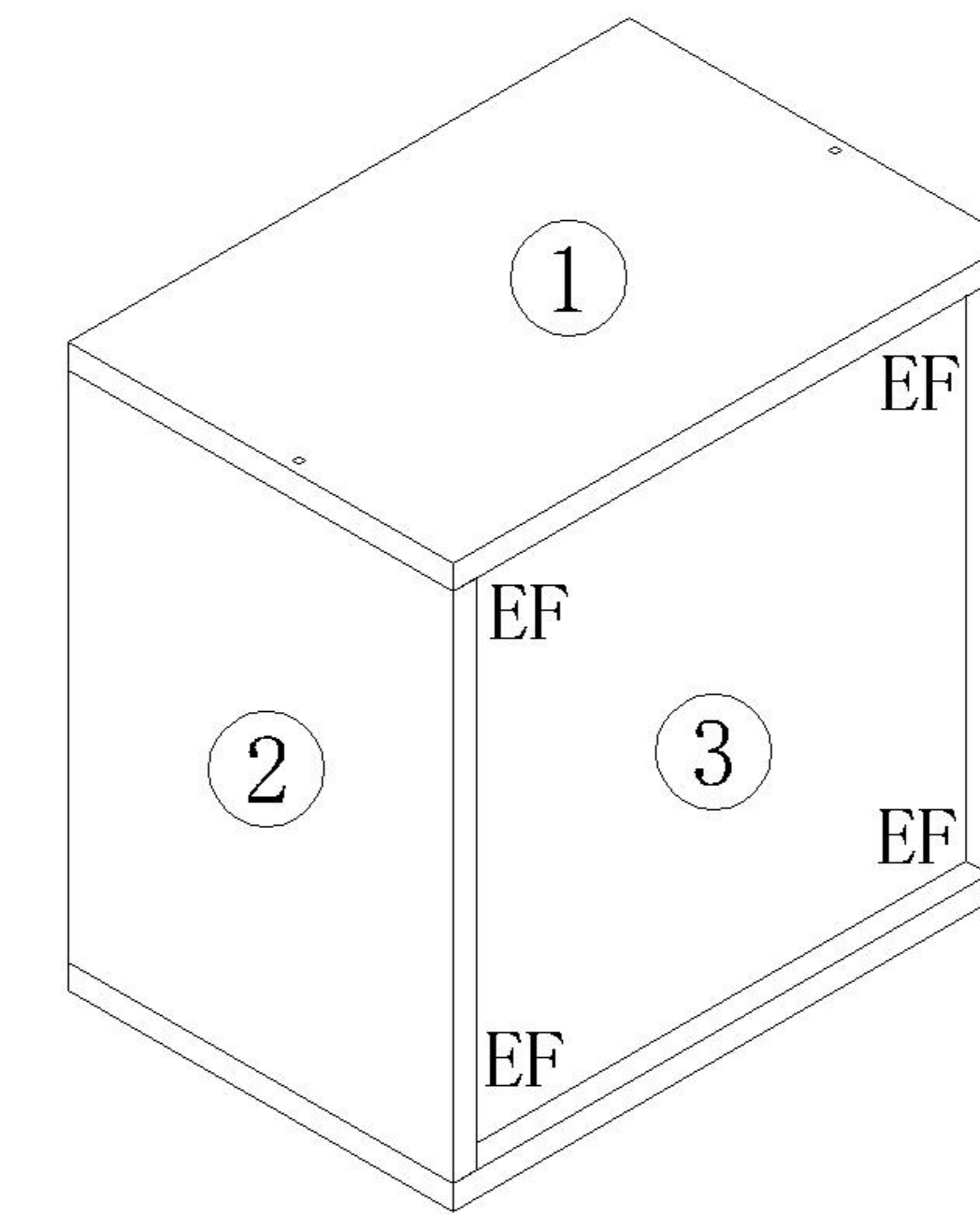
- (A)*8
- (B)*8
- (G)*4

- (C)*2
- (D)*2

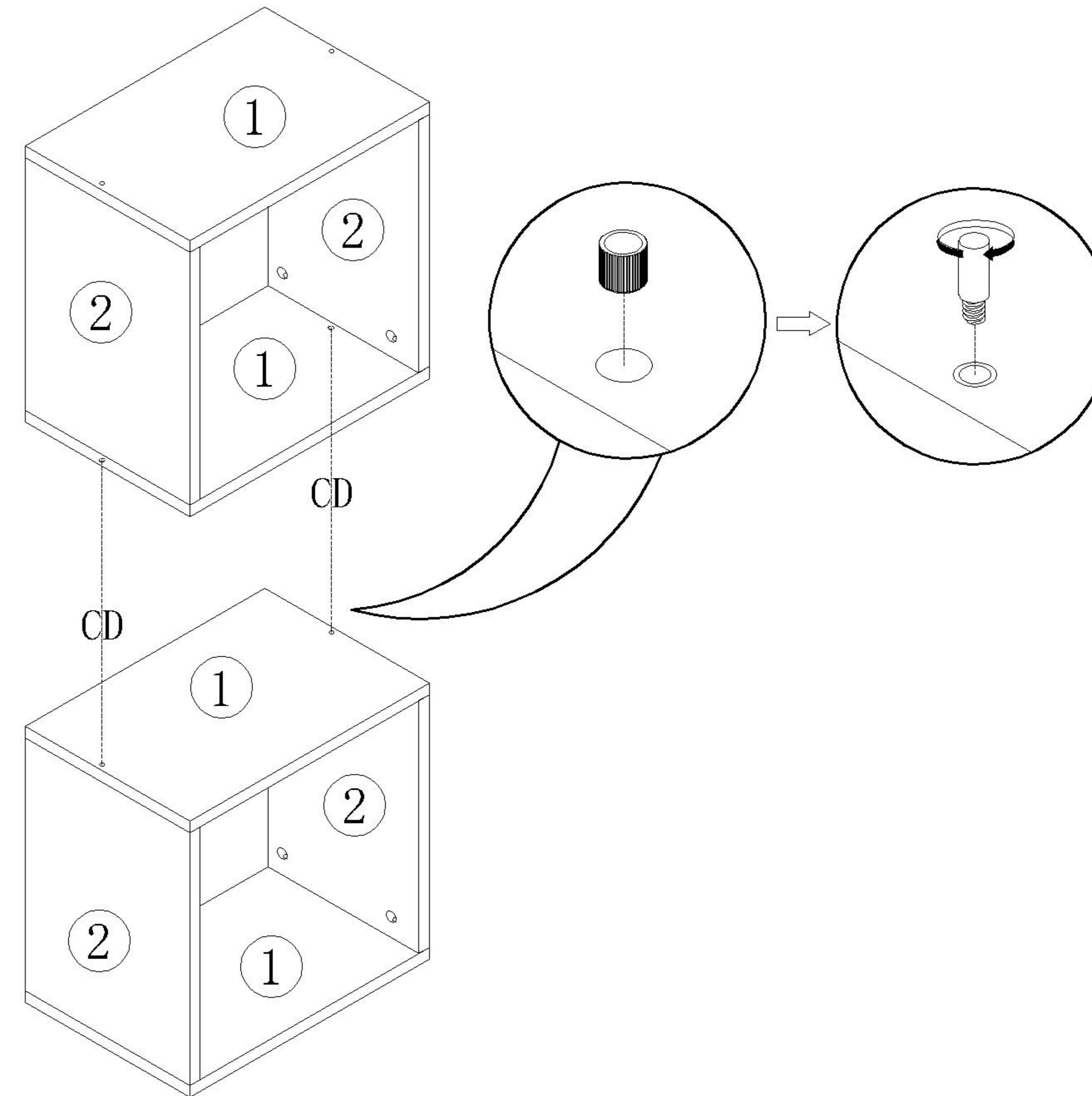


1

- (E)*4
- (F)*4



2



3

注意：购买单个产品没有此步骤，不安装五金C、D；购买多个此产品，并且需要叠在一起使用，则需要此步骤，需安装五金C、D进行连接。

Note: Purchase a single product without this step, do not install hardware C, D; If you want to buy more than one of these products and use them together, you need to install hardware C and D to connect them.