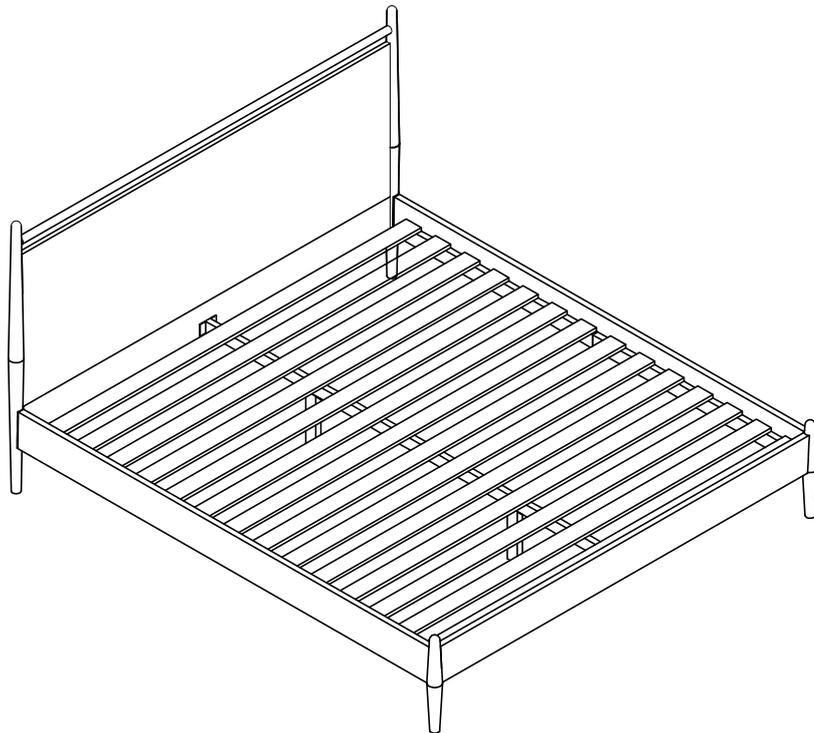


MODE

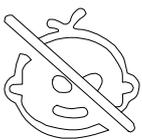
Assembly Instruction

Item Code: 21ELG026-1

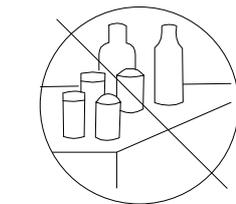
Description:MODE Alexa Super King Bed Frame



Important Tips and Maintenance



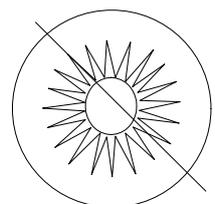
1. Keep children and animals away from working area as smaller parts may cause choking if swallowed.



2. Never place liquids or anything damp upon furniture as it will mark. Ensure a coaster or running is beneath.



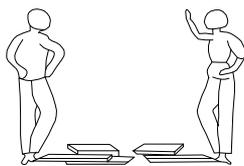
3. Never use ammonia based cleaning products as it will damage the finish.



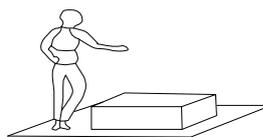
4. To avoid fading, keep furniture out of direct sunlight.



5. Use a soft or damp cloth (dry cloth) when wiping or cleaning surfaces.



6. Two person are required.



7. Lay a soft matt down to protect the furniture piece before and during assembly.

So your relationship is strong. But is it flat-pack furniture strong? Unless you're an aerospace engineer, assembling furniture can be slightly stressful. We recommend meditating quietly, pouring yourself a herbal tea (or slightly less herbal wine) and tackling things one step at a time. If you feel a passive aggressive remark coming on, try a compliment instead. E.g. "You're so good looking"

This 6-step assembly should take around 1.5 hour with an Allen Key - or 60 minutes with an electric drill. Godspeed.

Designed for everyday

Component Hardware

Please check you have all the fittings
part or tools are listed in below.

No. A
Quantity:12Pcs
Full Thread Screw
M8*80 mm



No. B
Quantity:12Pcs
Half-moon part



No. C
Quantity:10Pcs
Hexagon Nuts M8
M8



No. D
Quantity:1Pcs
Spanner



No. E
Quantity:10Pcs
Dowel
8*30mm



No. F
Quantity:4Pc
Screw
M8*15mm



No. G
Quantity:1Pcs
Allen Key
5#



No. H
Quantity:8Pcs
Screw
M6*20mm

No. I
Quantity:16Pcs
Screw
M6*40mm



No. J
Quantity:1Pcs
Allen Key
4#



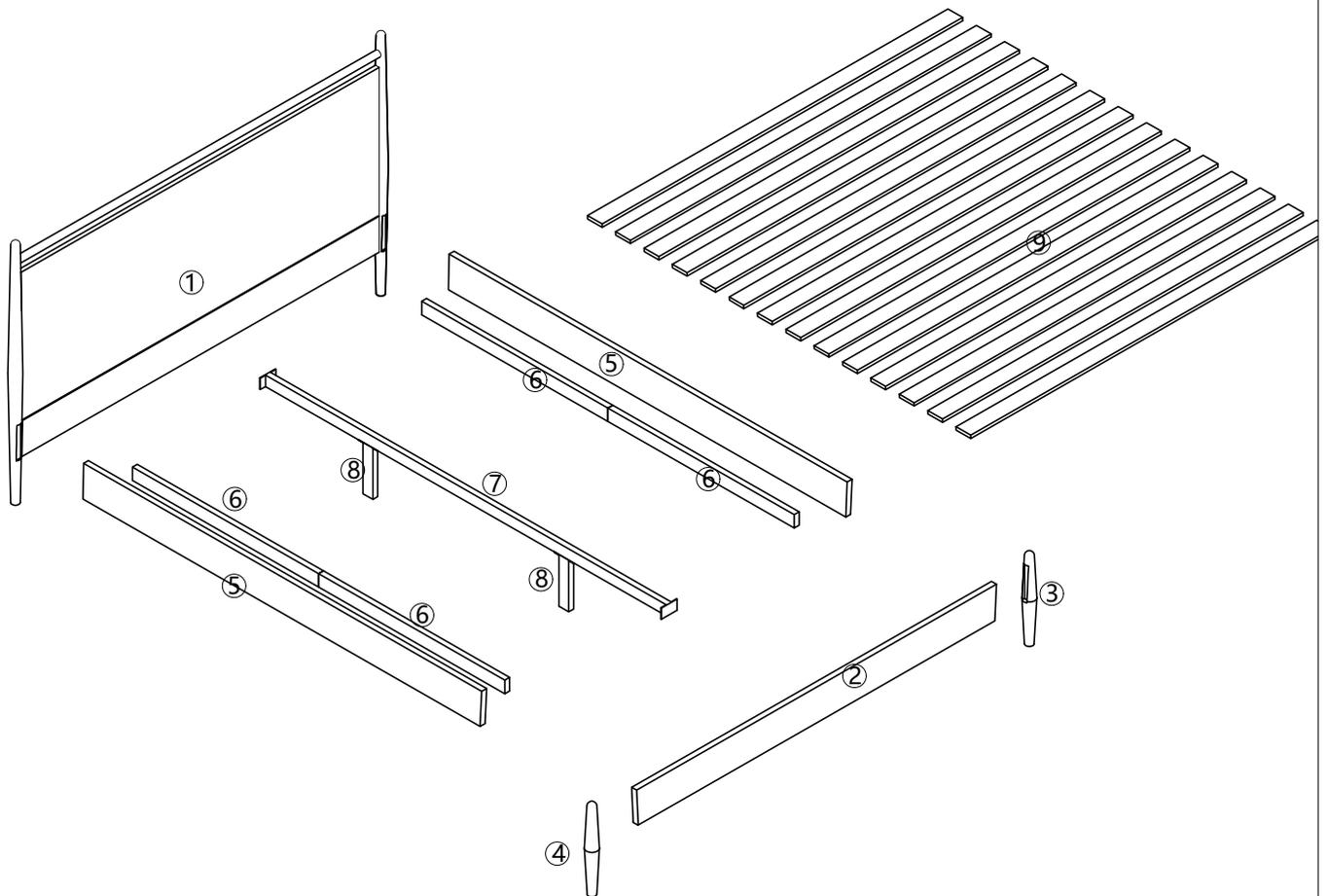
No. K
Quantity:28Pcs
Screw
4*30mm



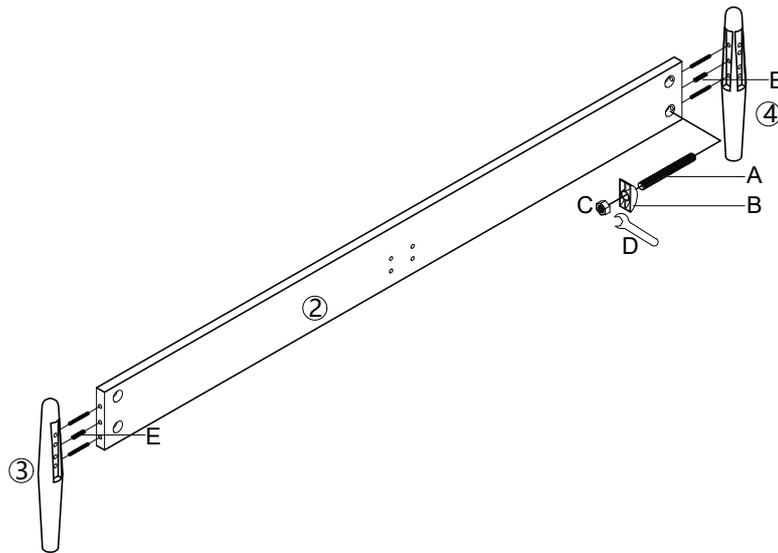
Component Panels & part List

Please check you have all the panels are listed below.

- | | | | | |
|----|-------------------------|-------|----|-----|
| 1. | Bed Headboard | ————— | x1 | 1/3 |
| 2. | Bed Footboard | ————— | x1 | 2/3 |
| 3. | Bed Footboard Leg Right | ————— | x1 | 2/3 |
| 4. | Bed Footboard Leg Left | ————— | x1 | 2/3 |
| 5. | Bed Side Panel | ————— | x2 | 3/3 |
| 6. | Bed Slat Support Strips | ————— | x4 | 3/3 |
| 7. | Middle Support Tube | ————— | x1 | 3/3 |
| 8. | Middle Support Leg | ————— | x2 | 3/3 |
| 9. | Bed Slats | ————— | x1 | 2/3 |



STEP 1



No. A

Quantity:4 Pcs
Full Thread Screw
M8*80 mm



No. B

Quantity:4 Pcs
Half-moon part



No. C

Quantity:4 Pcs
Hexagon Nuts M8
M8



No. D

Quantity:1 Pcs
Spanner

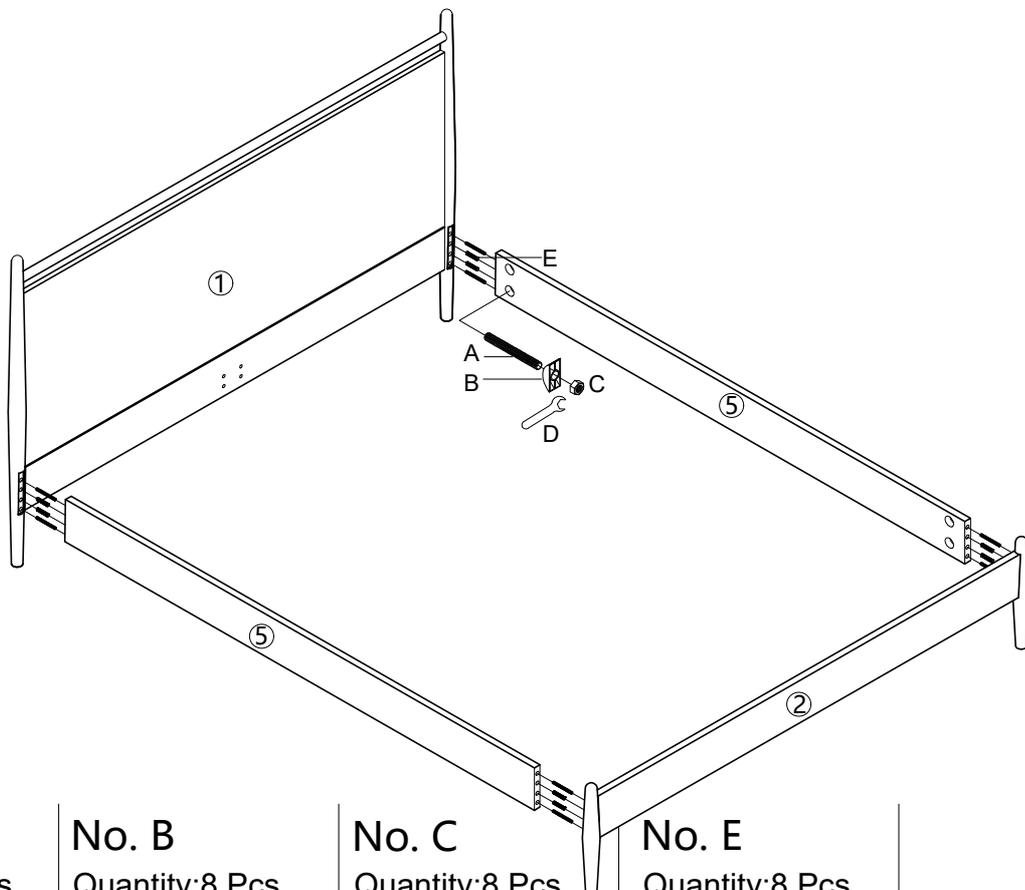


No. E

Quantity:2 Pcs
Dowel
8*30 mm



STEP 2



No. A

Quantity:8 Pcs
Full Thread Screw
M8*80 mm



No. B

Quantity:8 Pcs
Half-moon part



No. C

Quantity:8 Pcs
Hexagon Nuts M8
M8

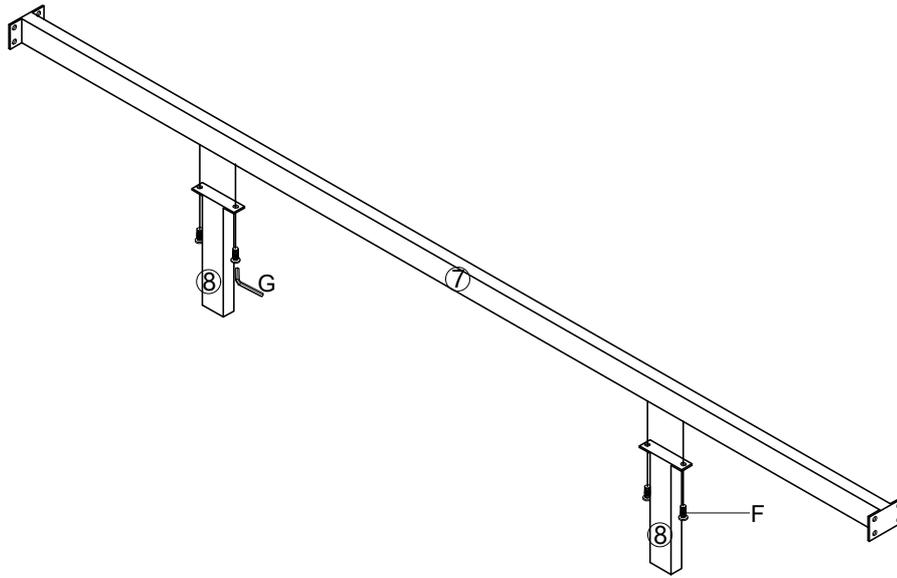


No. E

Quantity:8 Pcs
Dowel
8*30 mm



STEP 3



No. F

Quantity: 4 Pcs
Screw
M8*15 mm

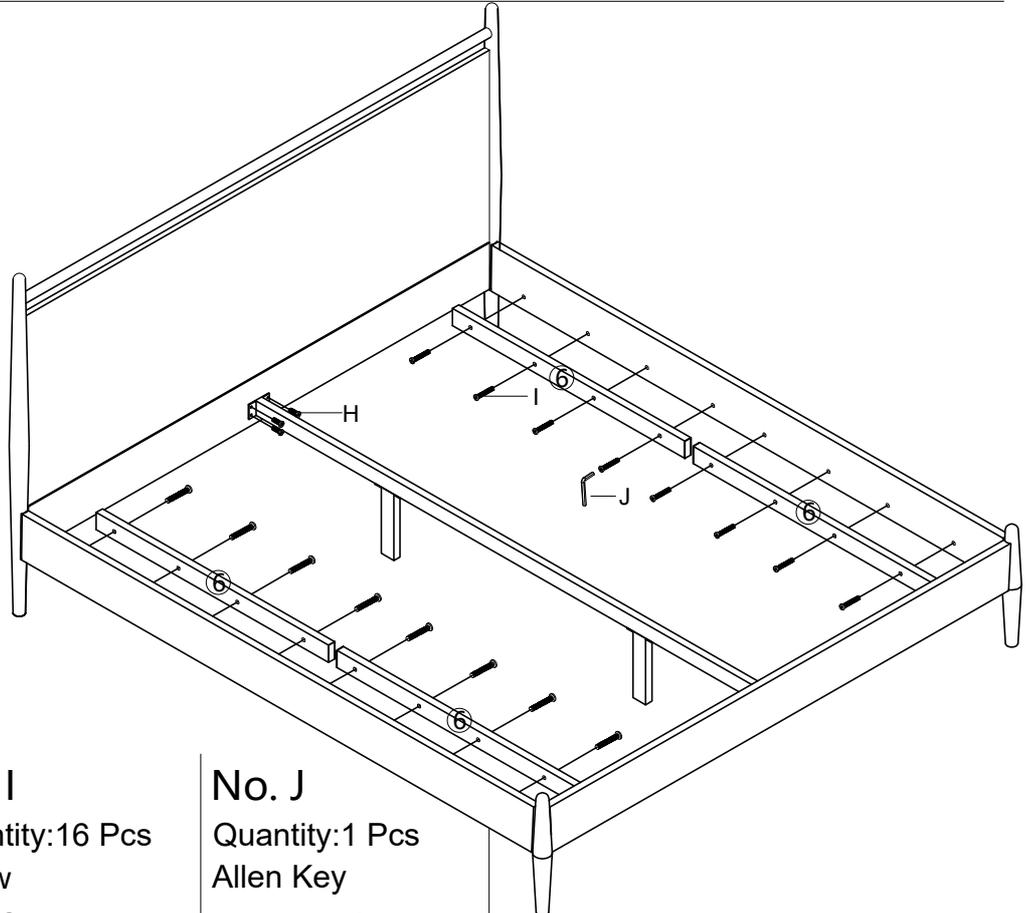


No. G

Quantity: 1 Pcs
Allen Key
M5



STEP 4



No. H

Quantity: 8 Pcs
Screw
M6* 20 mm



No. I

Quantity: 16 Pcs
Screw
M6*40mm

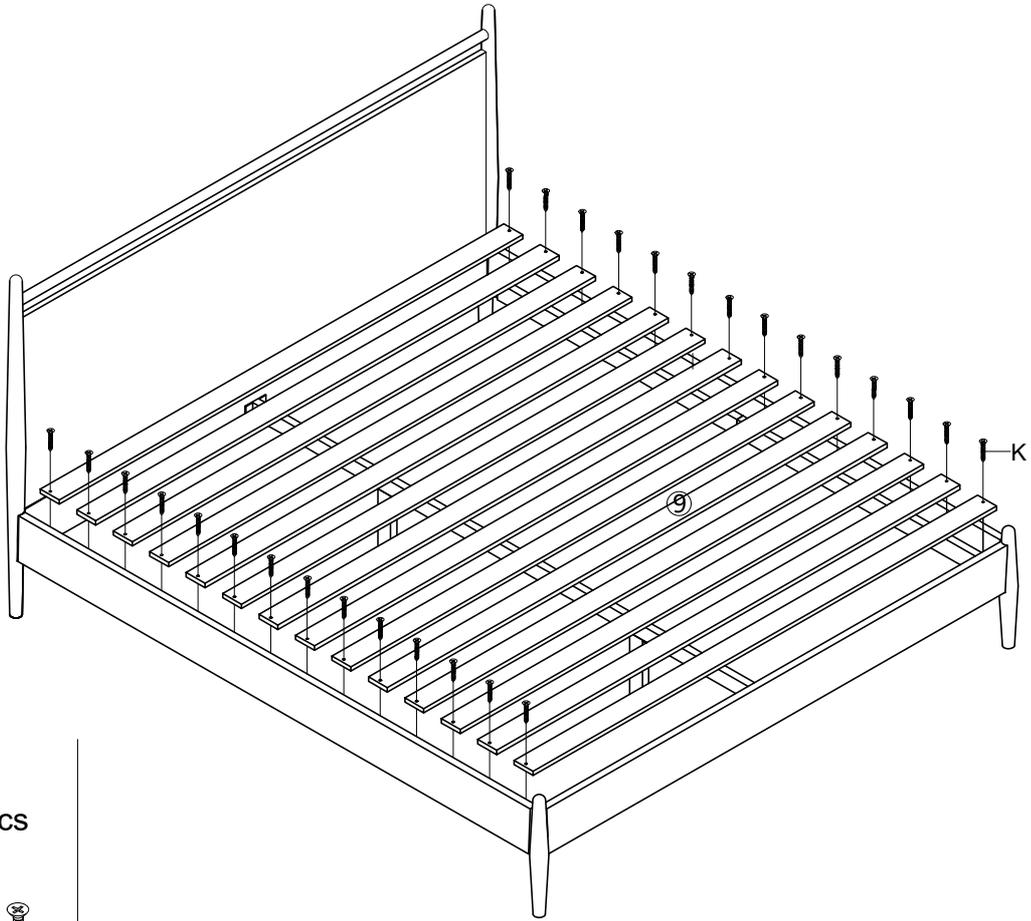


No. J

Quantity: 1 Pcs
Allen Key
M4



STEP 5



No. K

Quantity: 28 Pcs

Screw

Ø4*30mm



STEP 6

