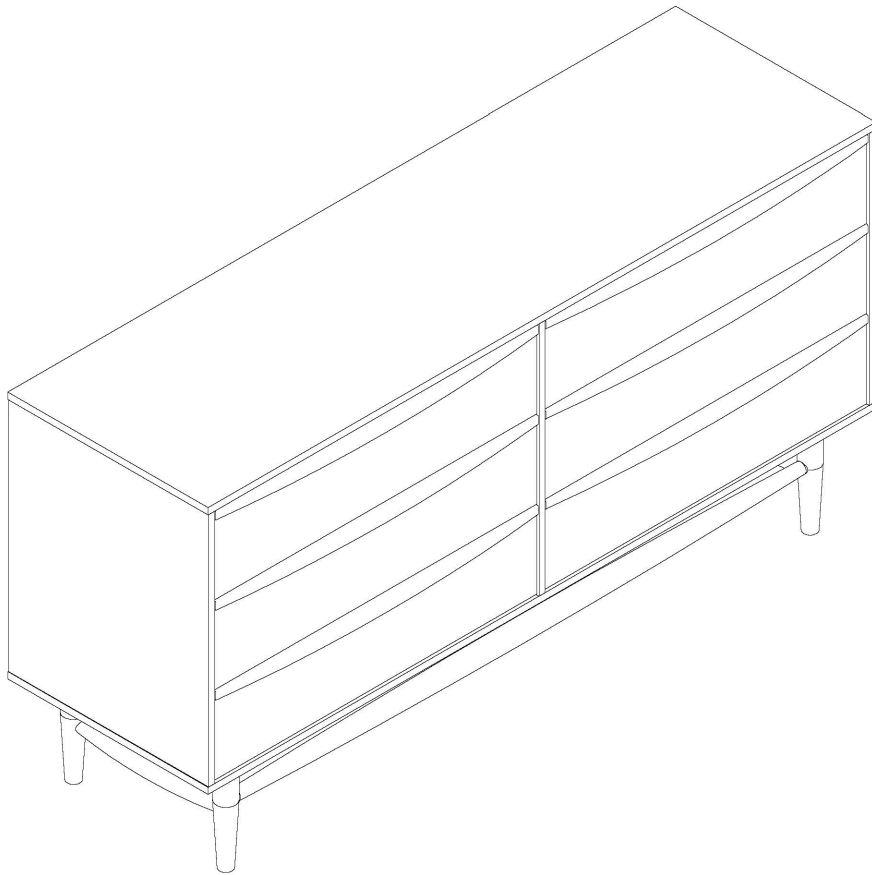


# MODE

## Assembly Instruction

Item Code: 21ELG024

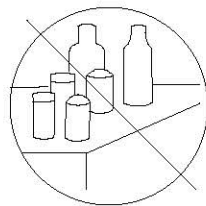
Description: MODE Alexa Chest of 6 Drawers



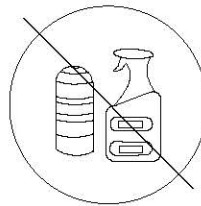
## Important Tips and Maintenance



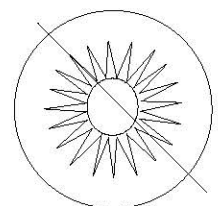
1. Keep children and animals away from working area as smaller parts may cause choking if swallowed.



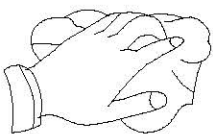
2. Never place liquids or anything damp upon furniture as it will mark. Ensure a coaster or running is beneath.



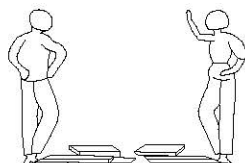
3. Never use ammonia based cleaning products as it will damage the finish.



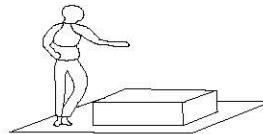
4. To avoid fading, keep furniture out of direct sunlight.



5. Use a soft or damp cloth (dry cloth) when wiping or cleaning surfaces.



6. Two person are required.



7. Lay a soft matt down to protect the furniture piece before and during assembly.

So your relationship is strong. But is it flat-pack furniture strong? Unless you're an aerospace engineer, assembling furniture can be slightly stressful. We recommend meditating quietly, pouring yourself a herbal tea (or slightly less herbal wine) and tackling things one step at a time. If you feel a passive aggressive remark coming on, try a compliment instead. E.g. "You're so good looking"

This 19-step assembly should take around 2.5 hours with an Allen Key - or 1.5 Hour with an electric drill. Godspeed.

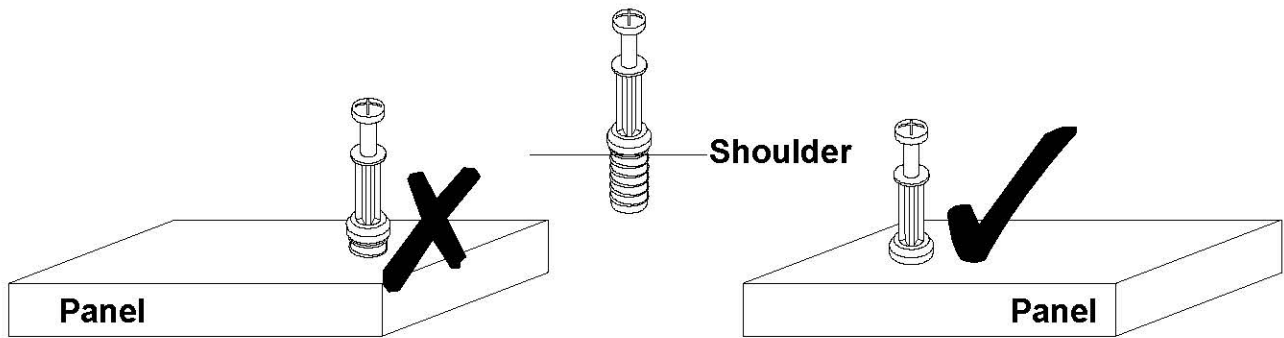
Designed for everyday

# Before Assembly

## Tips Before Your Start:

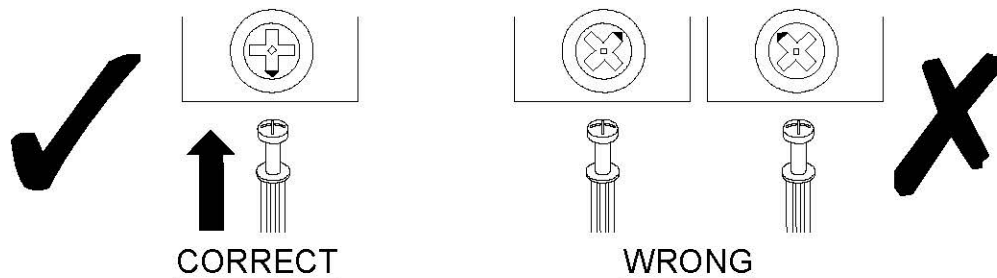
- Remove all wrapping material, including staples & packing straps before you start to assemble.
- DO NOT tighten all screws and bolts until completely assembled.
- Keep all hardware parts out of reach of children.

## QUICKFIT



Tighten quickfit until shoulder is flush with panel. Do not overtighten or undertighten.

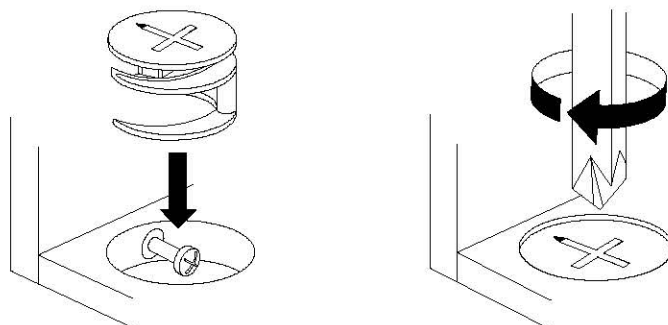
## CAM LOCK



When fitting cam lock, ensure starting position is correct before you insert connecting quickfit.

Quickfit head should be in the centre of the cam lock when the two panels are joined.

Cam lock should be inserted before quickfit.

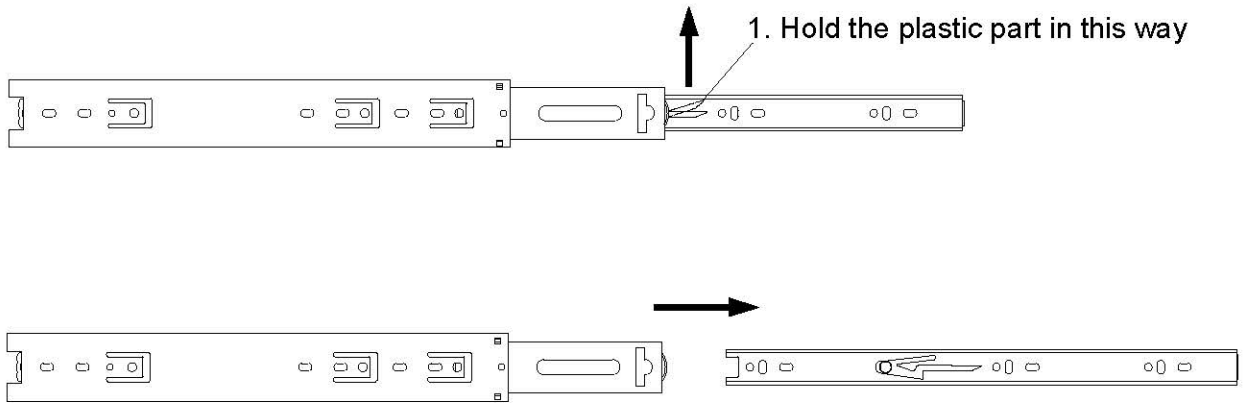


Turn cam lock clockwise to tighten.

# Before Assembly

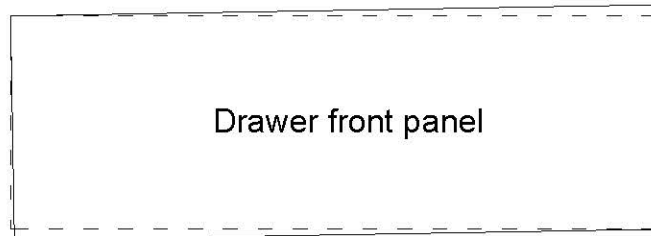
## Tips Before Your Start

How to separate the drawer slider:

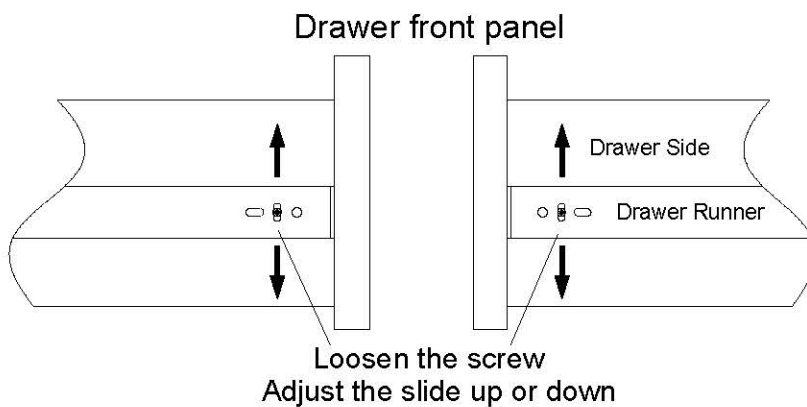


2. Pull out the inner slider for drawer box fixing

## Drawer Front Alignment



If the drawer front panel is NOT level after being assembled, then...



Loosen the screws on the left and right hand side, then move the drawer slide up or down, until the drawer fronts are even/level, then tighten the screws.

## Component Hardware

Please check you have all the fittings part or tools are listed in below.

No. A  
Quantity:70Pcs  
Cam Lock Dowel  
8\*28mm



No. B  
Quantity:36Pcs  
Dowel  
8\*30mm



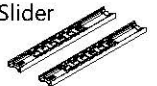
No. C  
Quantity:70Pcs  
Cam  
φ15



No. D  
Quantity:8Pcs  
Screw  
M6\*50mm



No. E  
Quantity:6Sets  
Drawer Slider  
12"



No. F  
Quantity:90Pcs  
Screw  
4\*14mm



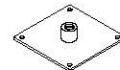
No. G  
Quantity:2Pcs  
Full Thread Screw  
M6\*40mm



No. H  
Quantity:4Pcs  
Screw  
M8\*35mm



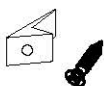
No. I  
Quantity:4Pcs  
Foot Plate  
70\*70mm



No. J  
Quantity:1Pc  
Allen Key  
5#



No. K  
Quantity:4Pcs  
Plastic Wedge



No. L  
Quantity:4Pcs  
Foot Pad  
φ20



No. M  
Quantity:2Sets  
Anti-falling Parts



No. N  
Quantity:64Pcs  
Sticker  
φ20



No. O  
Quantity:1Pc  
Allen Key  
4#



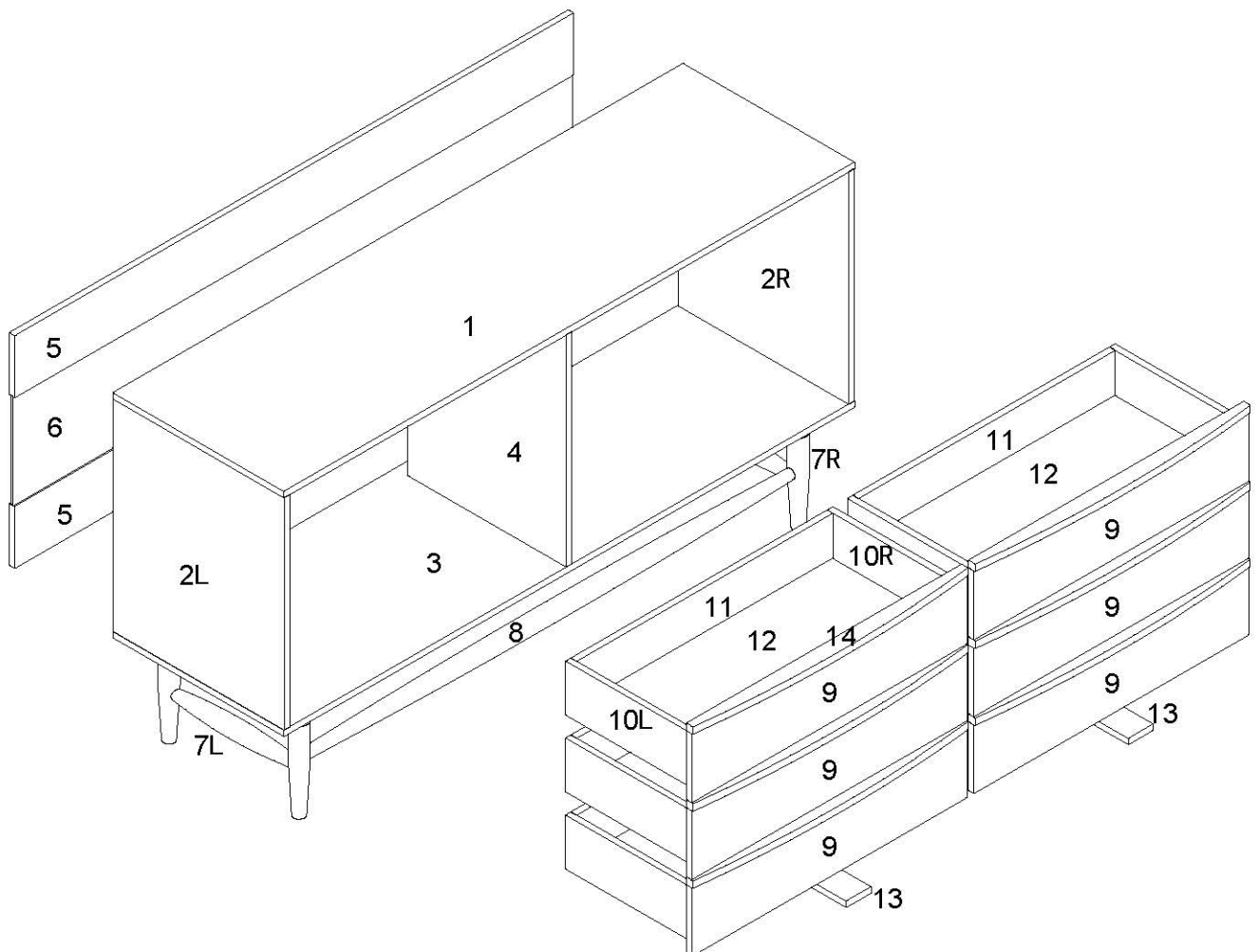
No. P  
Quantity:36 Pcs  
Screw  
4\*30mm



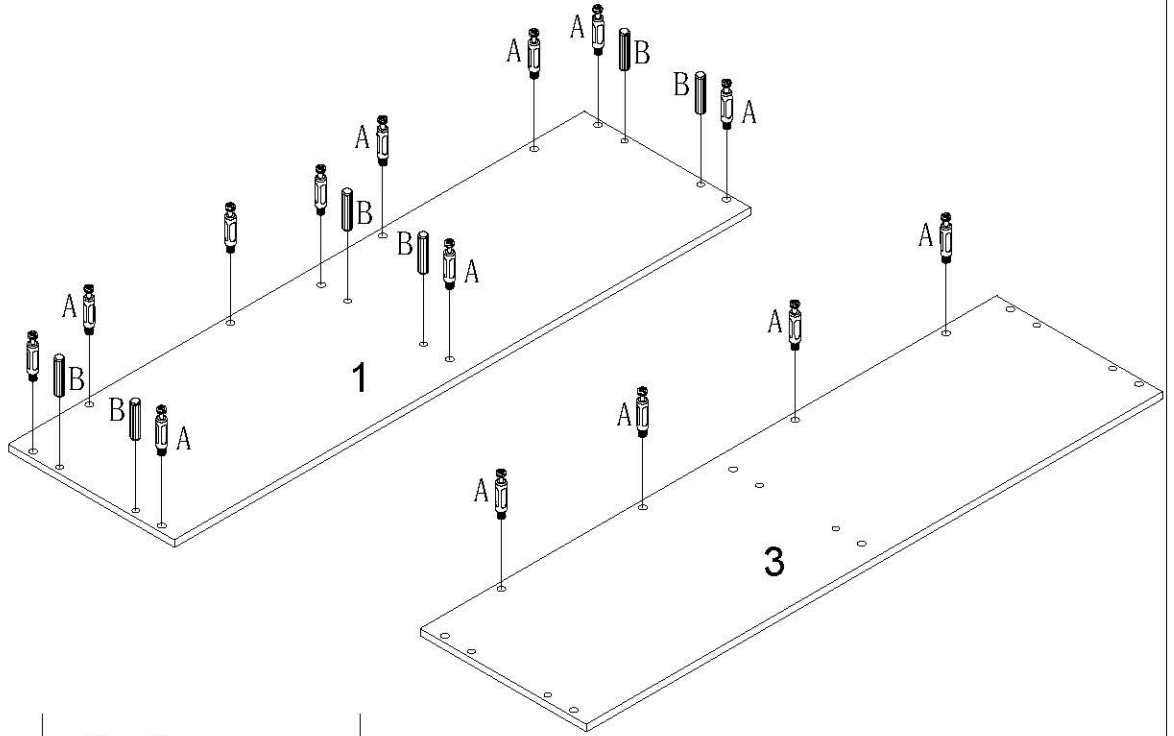
## Component Panels & part List

Please check you have all the panels are listed below.


1. TOP PANEL	x1	CTN1/3	8. CROSSBAR	x1	CTN1/3
2L. SIDE PANEL_LEFT	x1	CTN2/3	9. DRAWER FRONT	x6	CTN3/3
2R. SIDE PANEL_RIGHT	x1	CTN2/3	10L. DRAWER SIDE_LEFT	x6	CTN2/3
3. BOTTOM PANEL	x1	CTN1/3	10R. DRAWER SIDE_RIGHT	x6	CTN2/3
4. CENTRE PANEL	x1	CTN2/3	11. DRAWER BACK	x6	CTN3/3
5. BACK BRACE PANEL	x2	CTN1/3	12. DRAWER BOTTOM	x6	CTN3/3
6. BACK PANEL	x1	CTN1/3	13. DRAWER BRACE PANEL	x6	CTN2/3
7L. LEFT LEG	x1	CTN2/3	14. HANDLE	x6	CTN3/3
7R. RIGHT LEG	x1	CTN2/3			




# STEP 1



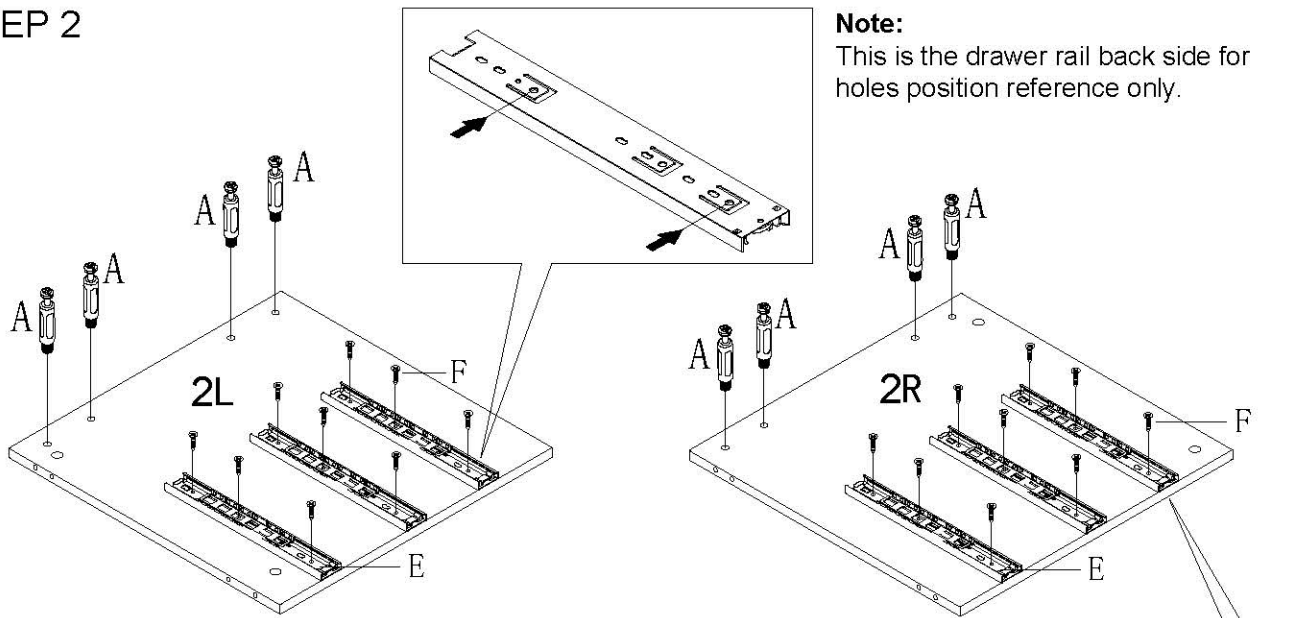
No. A  
Quantity: 14 Pcs  
Cam Lock Dowel  
8\*28 mm



No. B  
Quantity: 6 Pcs  
Dowel  
8\*30mm

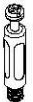


# STEP 2



**Note:**  
This is the drawer rail back side for  
holes position reference only.

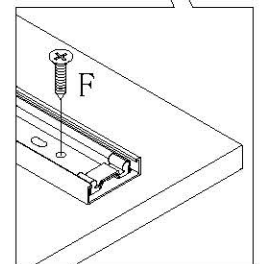
No. A  
Quantity: 8 Pcs  
Cam Lock Dowel  
8\*28 mm



No. F  
Quantity: 18 Pcs  
Screw  
4\*14mm

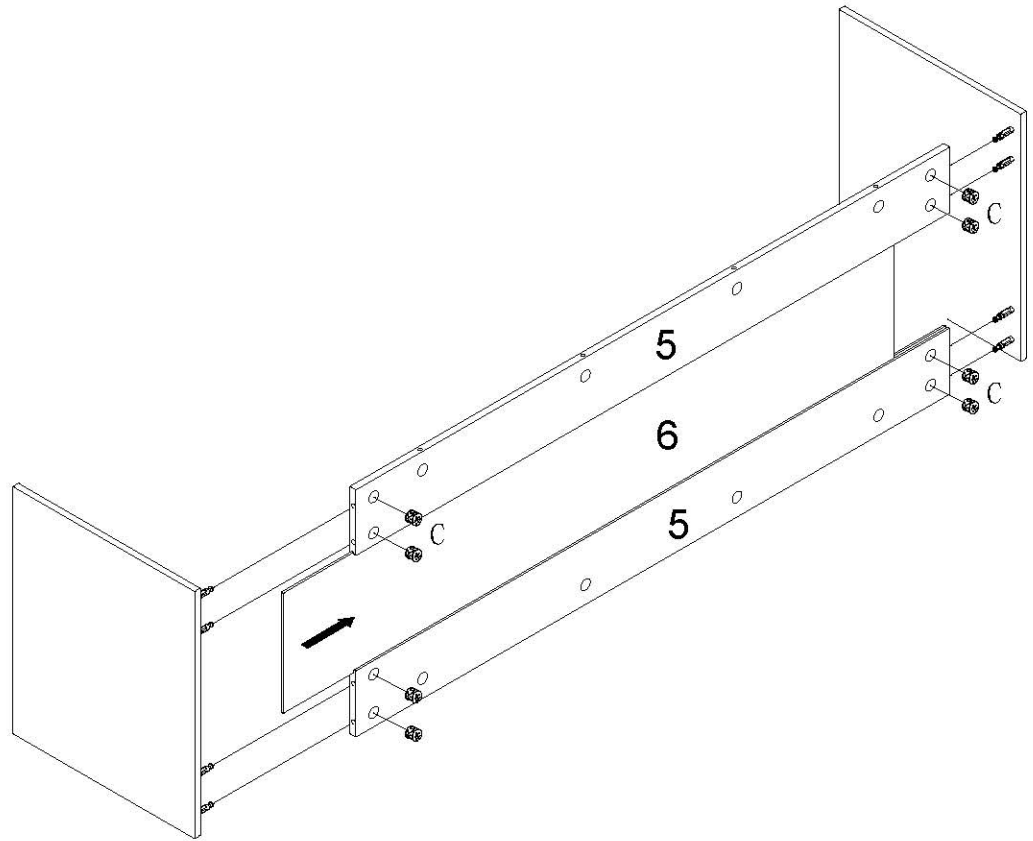


No. E  
Quantity: 6 Pcs  
Drawer Slider  
12"



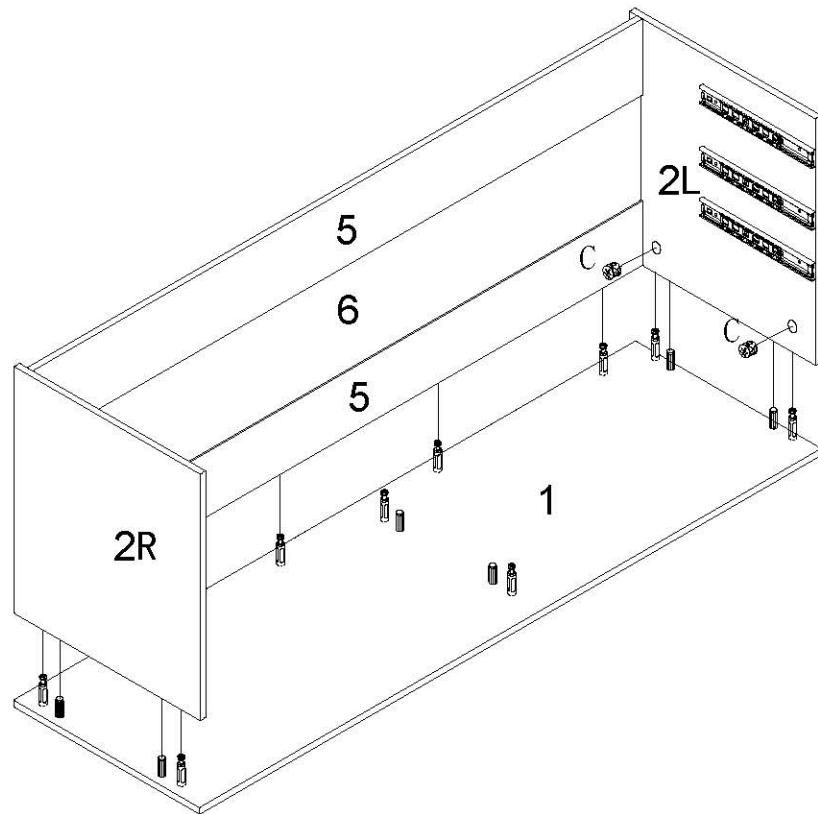
### STEP 3



No. C  
Quantity: 8 Pcs  
Cam Lock  
φ15mm



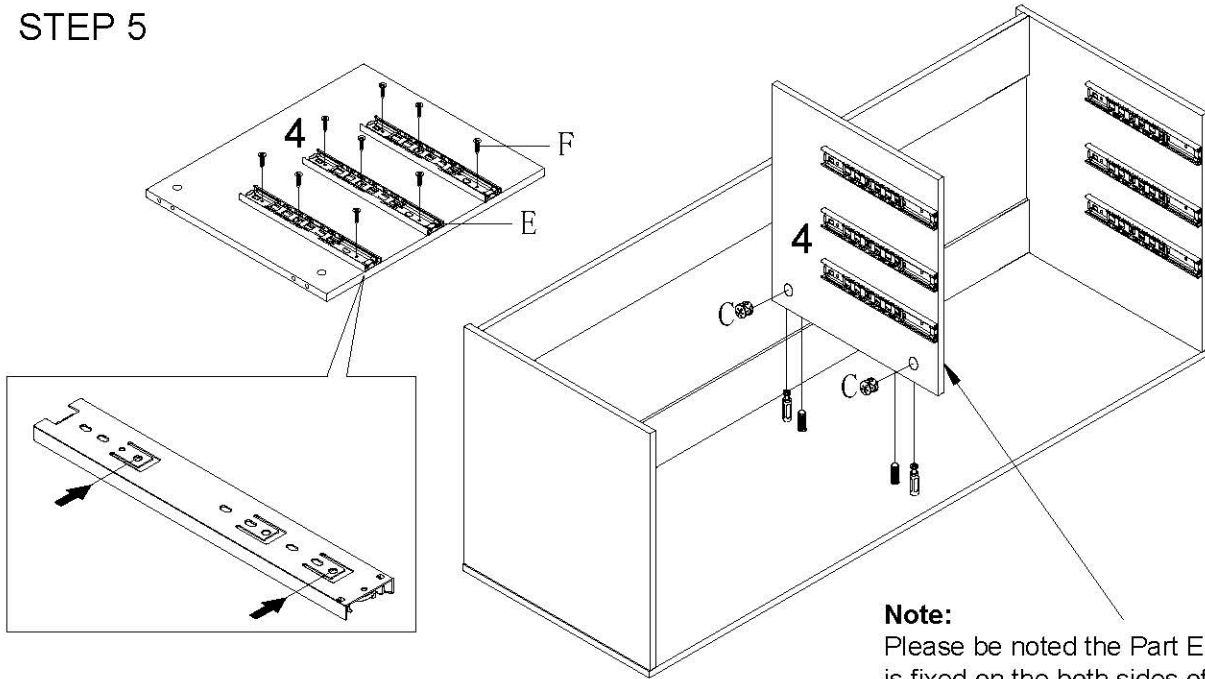
### STEP 4



No. C  
Quantity: 8 Pcs  
Cam Lock  
φ15mm



## STEP 5



**Note:**

Please be noted the Part E drawer slider is fixed on the both sides of the Part 4.

No. C  
Quantity: 2 Pcs  
Cam Lock  
φ15mm



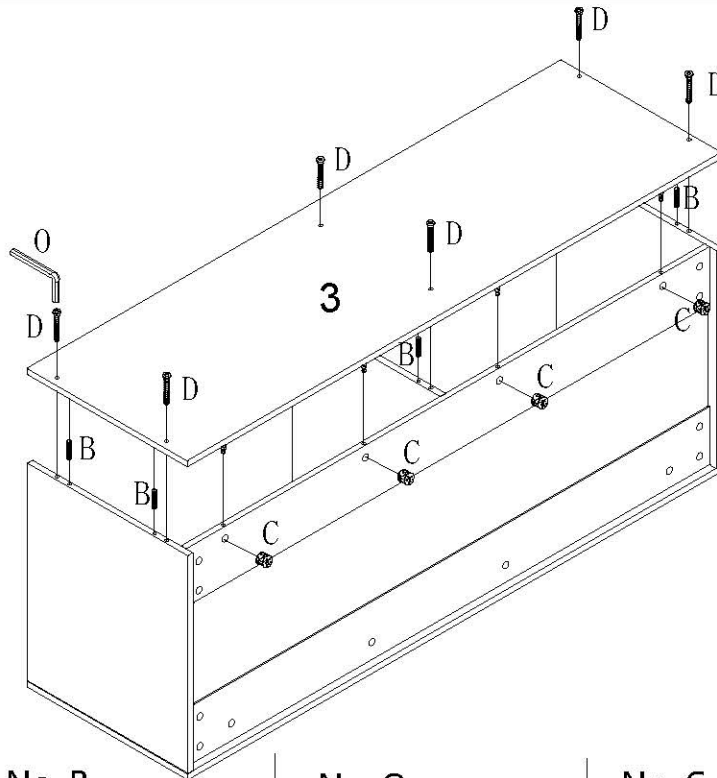
No. F  
Quantity: 18 Pcs  
Screw  
4\*14mm



No. E  
Quantity: 6 Pcs  
Drawer Slider  
12"



## STEP 6



No. D  
Quantity: 6 Pcs  
Screw  
M6\*50mm



No. B  
Quantity: 6 Pcs  
Dowel  
8\*30mm



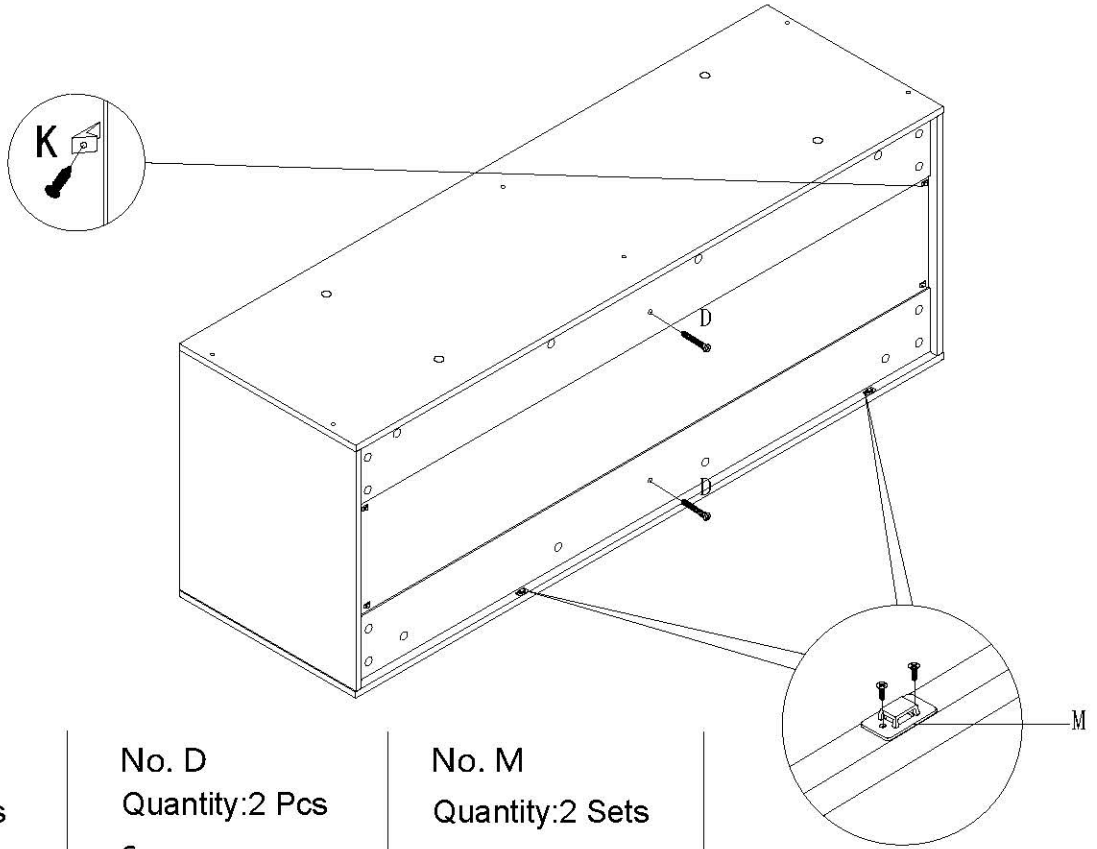
No. O  
Quantity: 1 Pc  
Allen Key  
4#



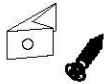
No. C  
Quantity: 4 Pcs  
Cam Lock  
φ15mm



# STEP 7



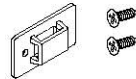
No. K  
Quantity: 4 Pcs  
Plastic Wedge



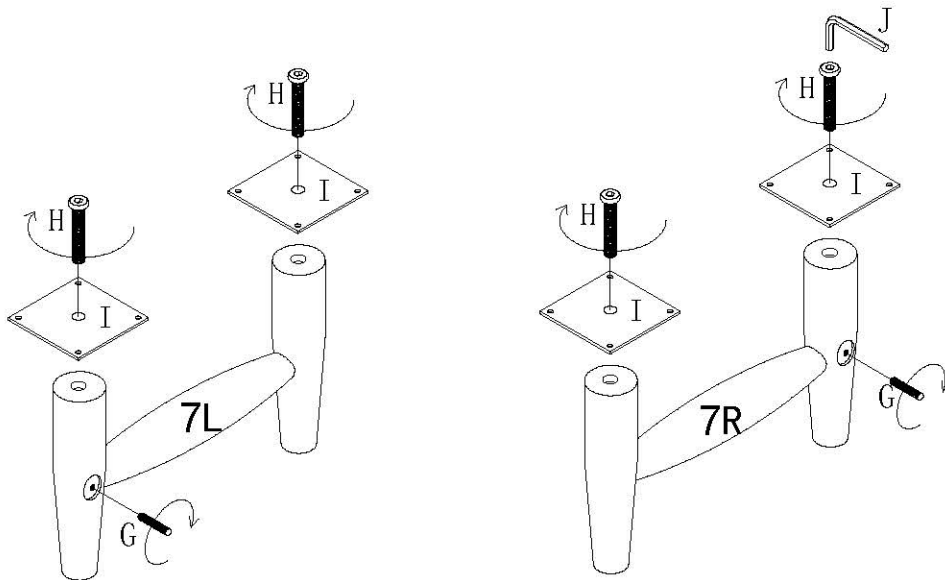
No. D  
Quantity: 2 Pcs  
Screw  
M6\*50mm



No. M  
Quantity: 2 Sets  
Smaller Screw



# STEP 8



No. G  
Quantity: 2 Pcs  
Full Thread Screw  
M6\*40mm



No. H  
Quantity: 4 Pcs  
Screw  
M8\*35mm



No. I  
Quantity: 4 Pcs  
Foot Plate

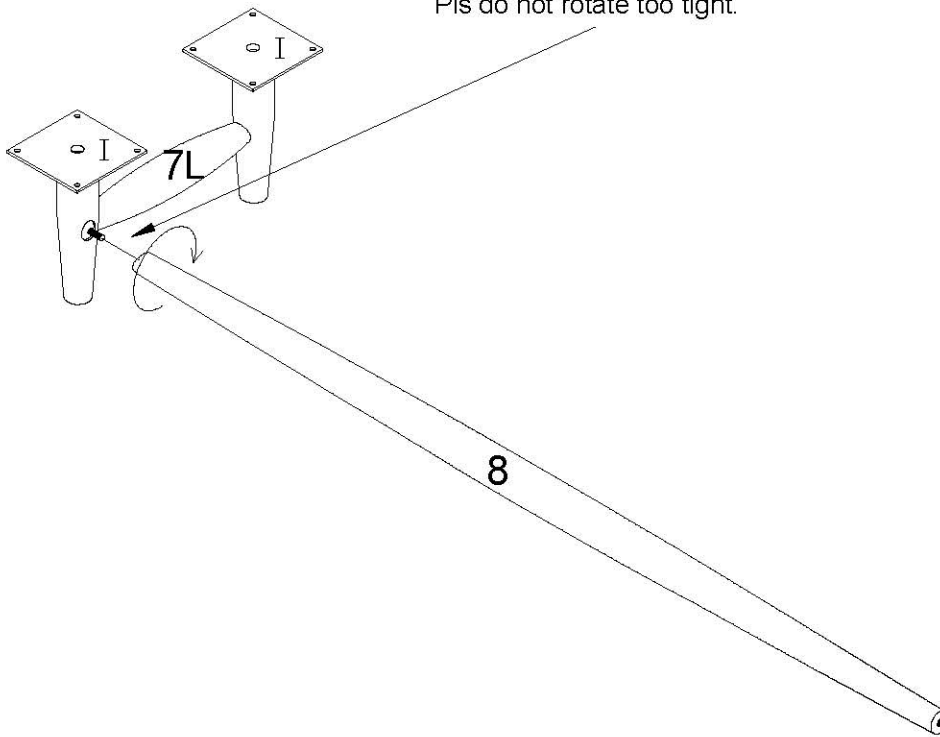


No. J  
Quantity: 1 Pc  
Allen Key  
5#

## STEP 9

**Note:**

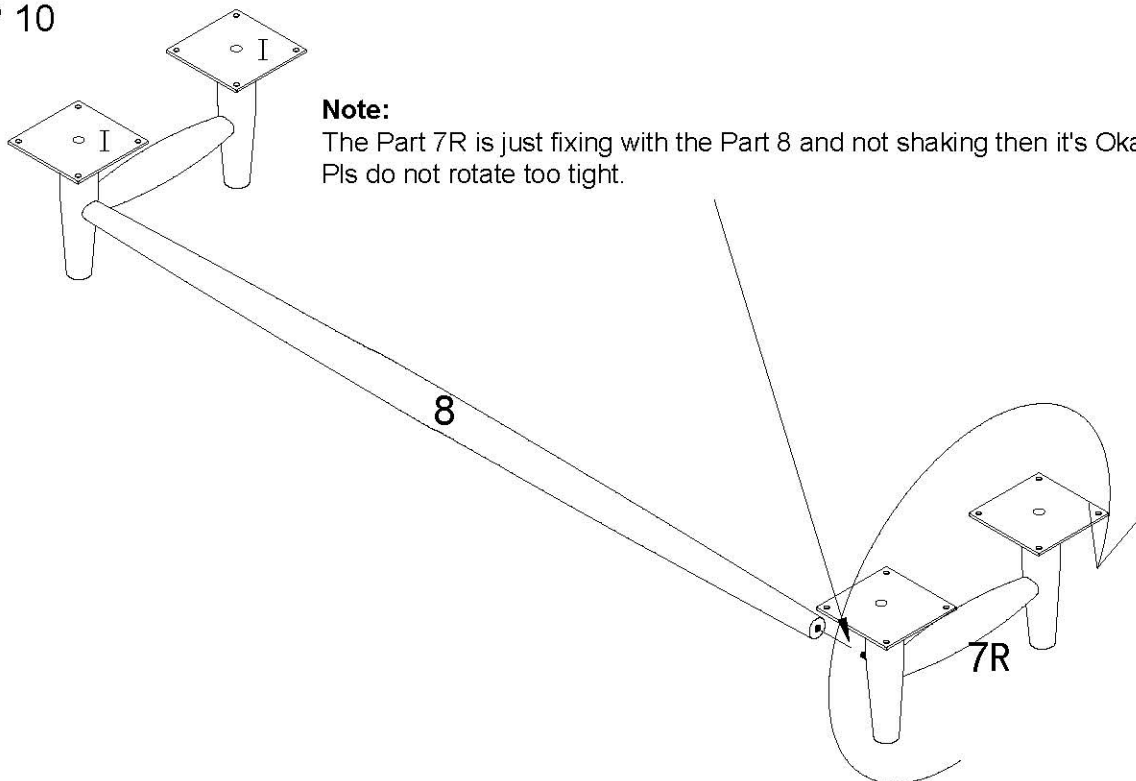
The Part 7L is just fixing with the Part 8 and not shaking then it's Okay.  
Pls do not rotate too tight.



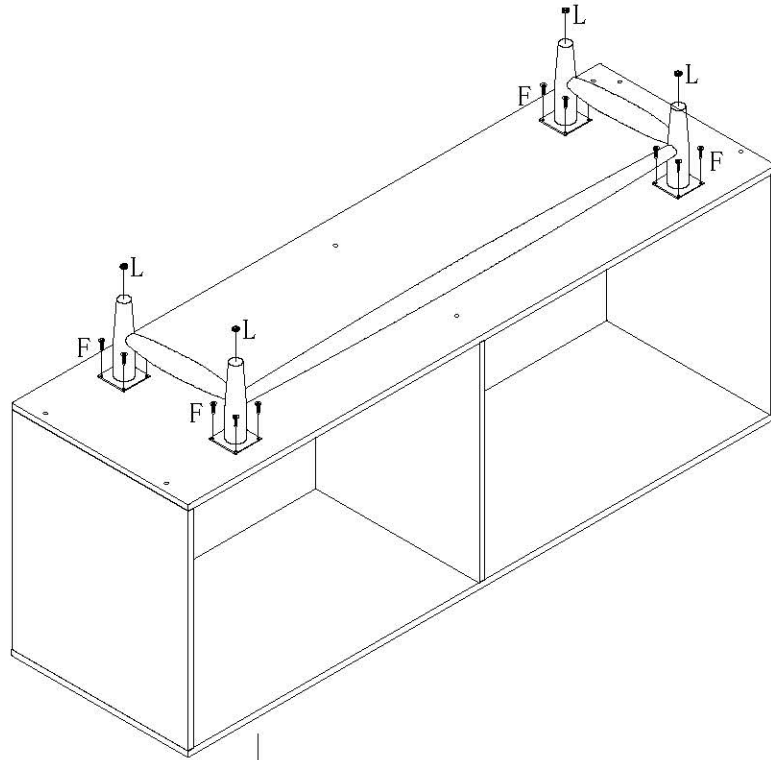
## STEP 10

**Note:**

The Part 7R is just fixing with the Part 8 and not shaking then it's Okay.  
Pls do not rotate too tight.



## STEP 11



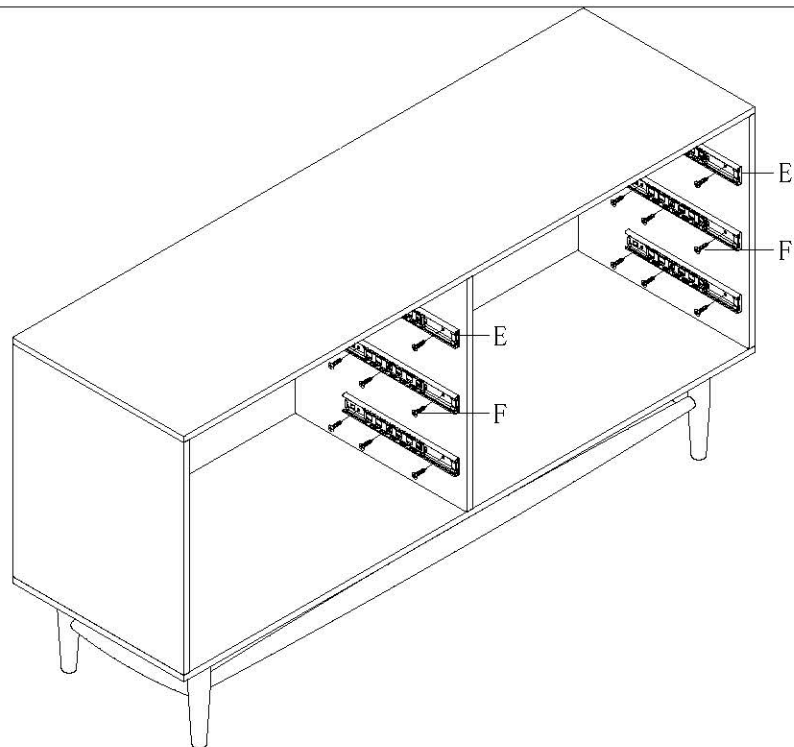
No. F  
Quantity: 16 Pcs  
Screw  
4\*14mm



No. L  
Quantity: 4 Pcs  
Foot Pad  
φ20



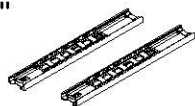
## STEP 12



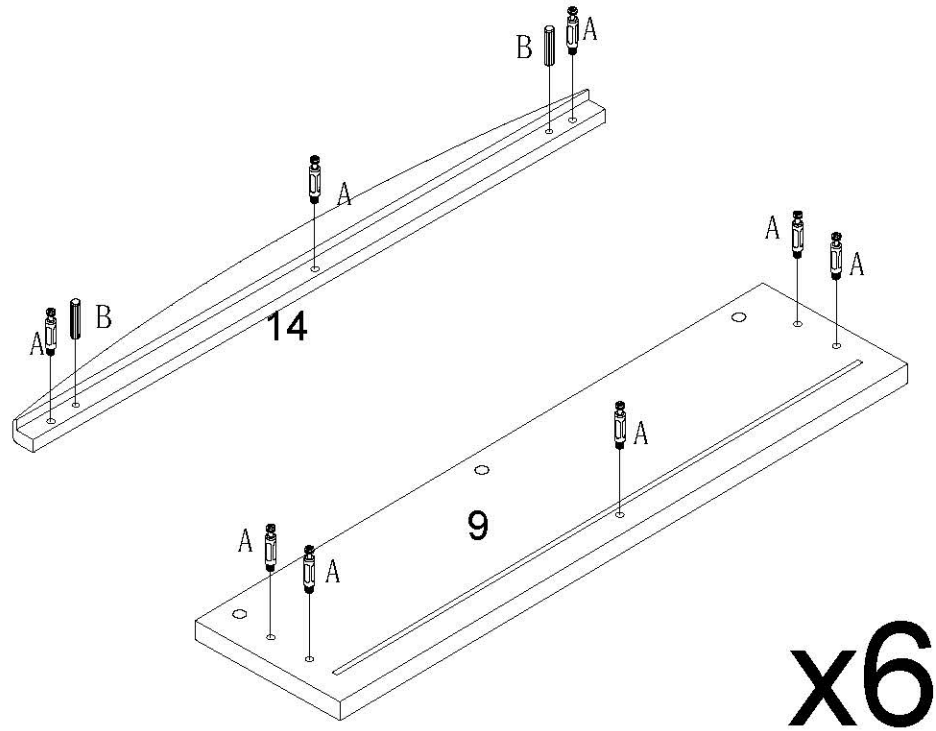
No. F  
Quantity: 36 Pcs  
Screw  
4\*14mm



No. E  
Quantity: 6 Sets  
Drawer Slider  
12"



### STEP 13



No. A

Quantity: 48 Pcs

Cam Lock Dowel  
8\*28 mm



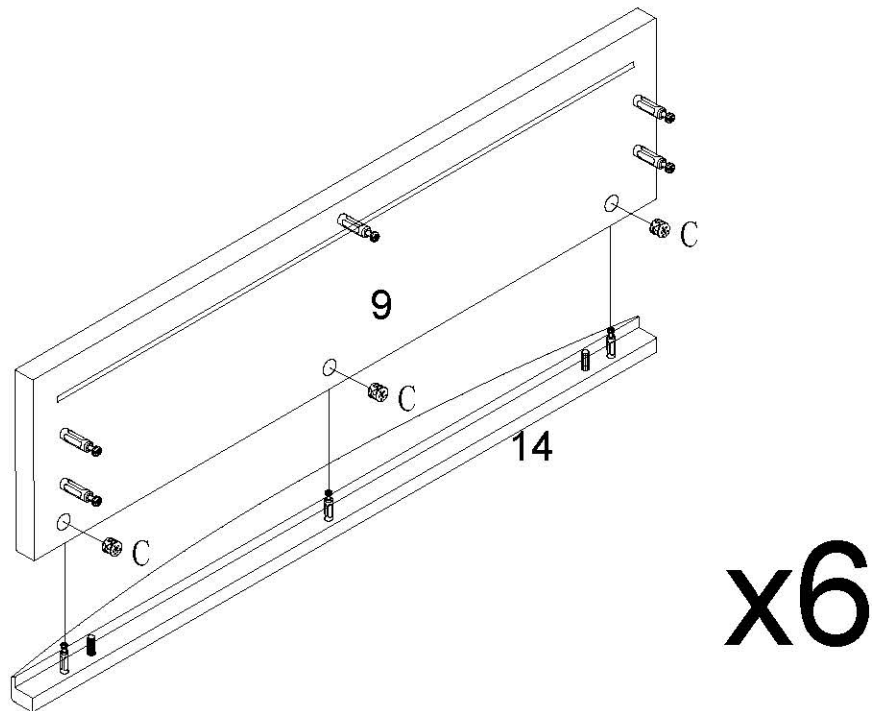
No. B

Quantity: 12Pcs

Dowel  
8\*30mm



### STEP 14



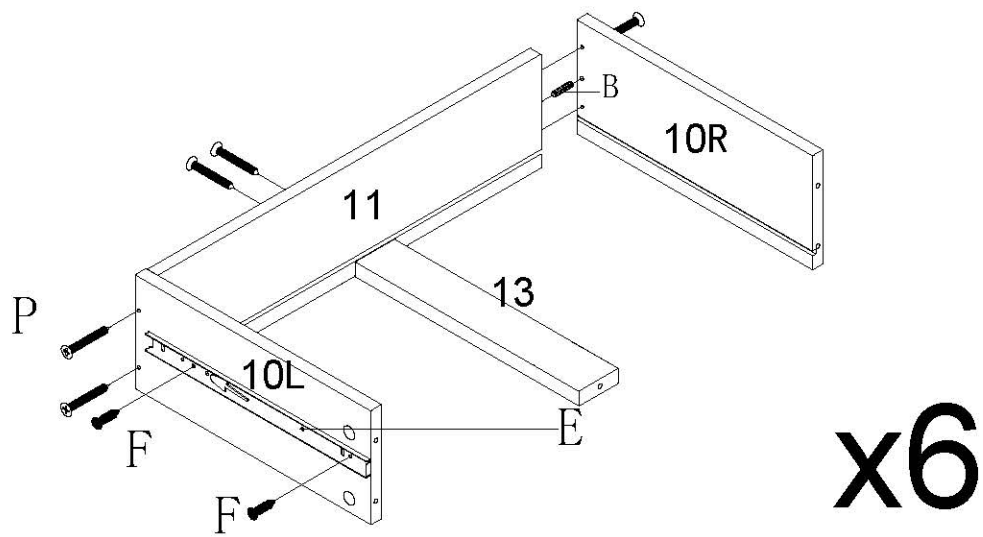
No. C

Quantity: 18 Pcs

Cam Lock  
φ15mm



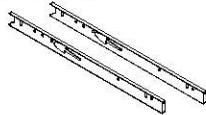
STEP 15



No. F  
Quantity: 36 Pcs  
Screw  
4\*14mm



No. E  
Quantity: 6 Sets  
Drawer Slider  
12"



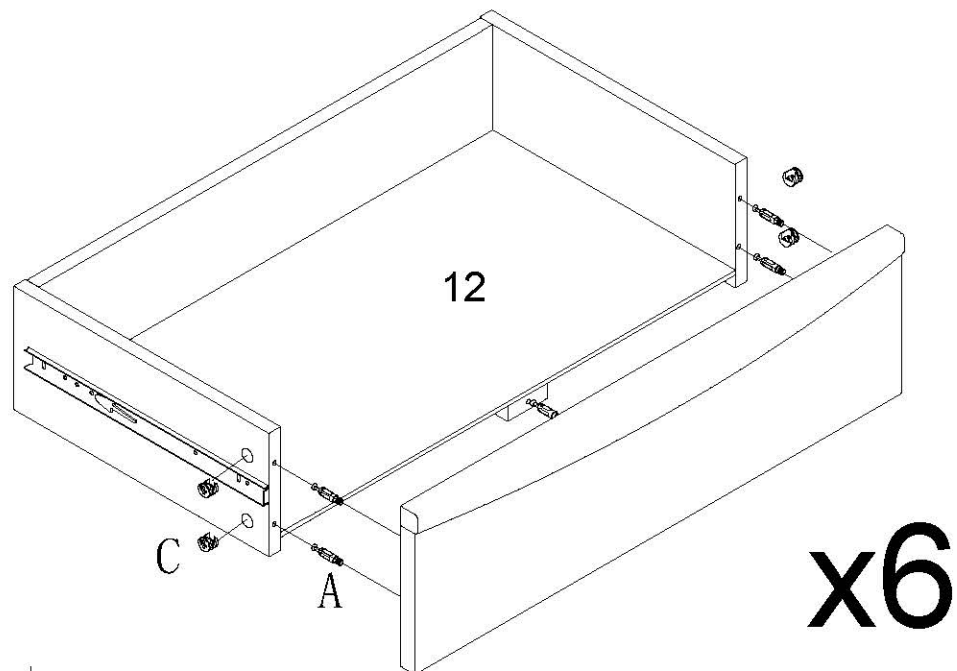
No. P  
Quantity: 36 Pcs  
Screw  
4\*30mm



No. B  
Quantity: 12Pcs  
Dowel  
8\*30mm



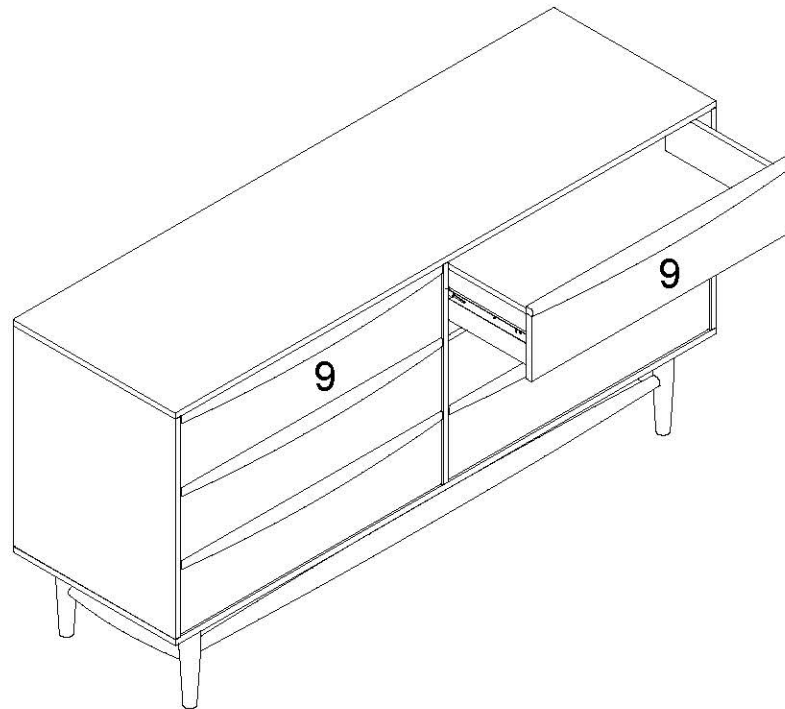
STEP 16



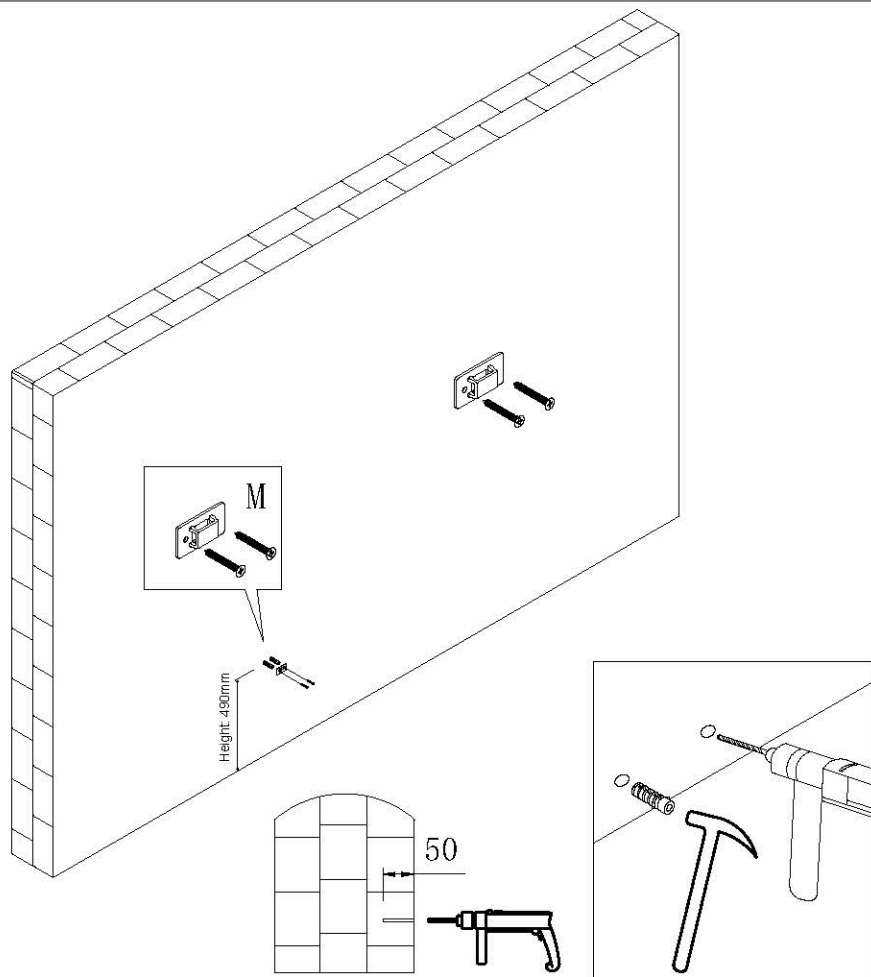
No. C  
Quantity: 30Pcs  
Cam Lock



# STEP 17

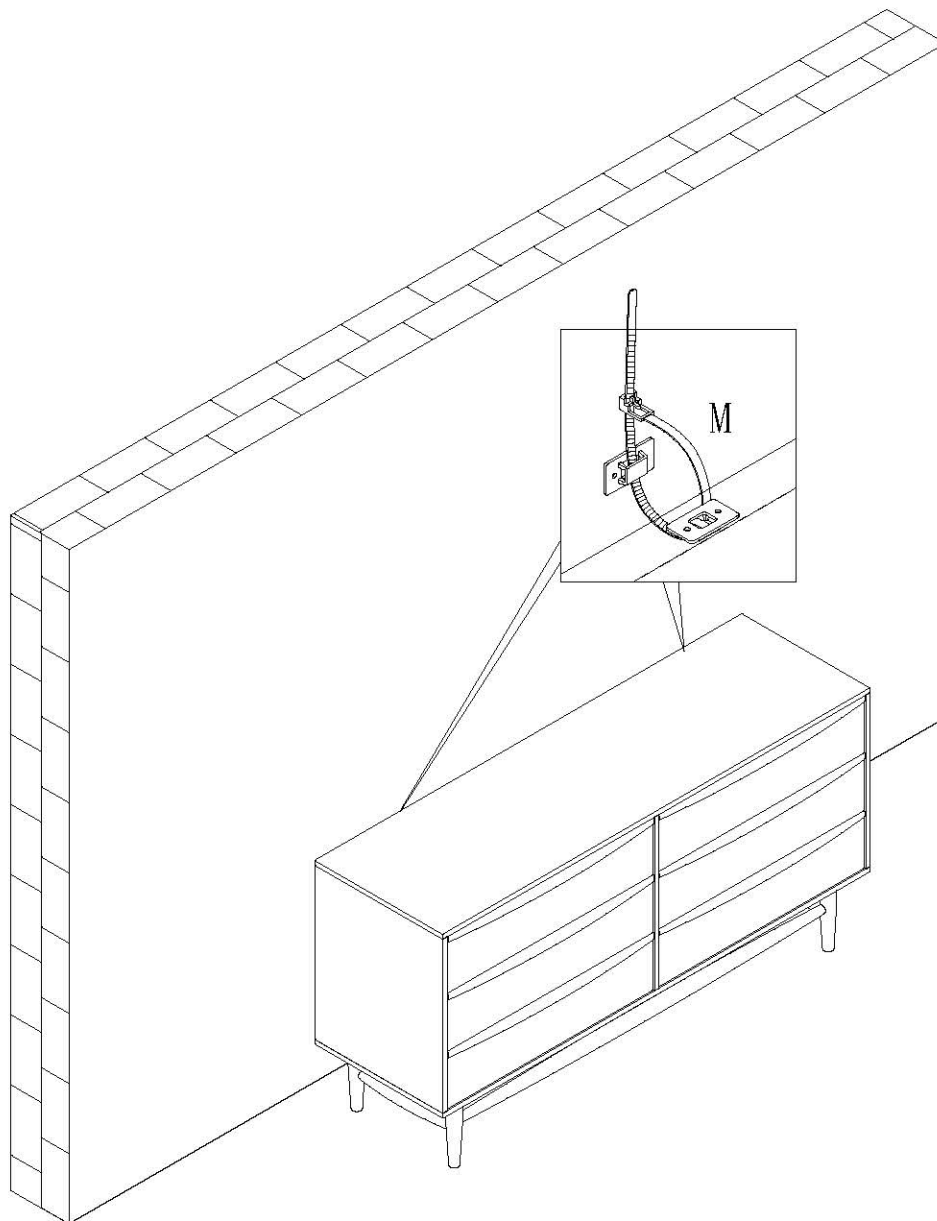


# STEP 18





## STEP 19



**Note:**

Please lift up the furniture by two people when moving is needed.  
Dragging may cause the legs failure.

No. M  
Quantity: 2 Sets  
Anti-falling Parts

