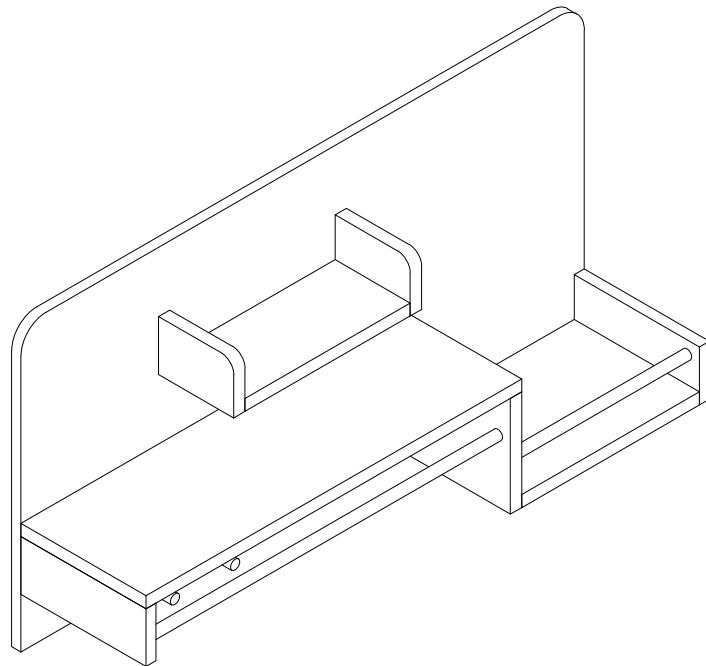




Assembly Instructions

Item Code: 22KDS012

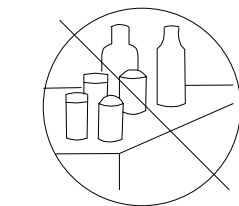
Description: Kaia Hanging Shelf



Important Tips and Maintenance



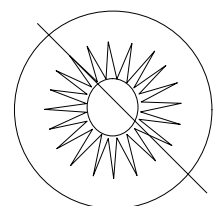
1. Keep children and animals away from working area as smaller parts may cause choking if swallowed.



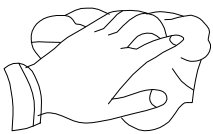
2. Never place liquids or anything damp upon furniture as it will mark. Ensure a coaster or running is beneath.



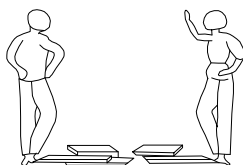
3. Never use ammonia based cleaning products as it will damage the finish.



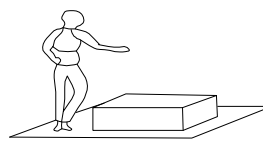
4. To avoid fading, keep furniture out of direct sunlight.



5. Use a soft or damp cloth (dry cloth) when wiping or cleaning surfaces.



6. Two person are required.



7. Lay a soft matt down to protect the furniture piece before and during assembly.

So your relationship is strong. But is it flat-pack furniture strong? Unless you're an aerospace engineer, assembling furniture can be slightly stressful. We recommend meditating quietly, pouring yourself a herbal tea (or slightly less herbal wine) and tackling things one step at a time. If you feel a passive aggressive remark coming on, try a compliment instead. E.g. "You're so good looking"

This 6-step assembly should take around 45 minutes with an Allen Key - or 25 minutes with an electric drill. Godspeed.

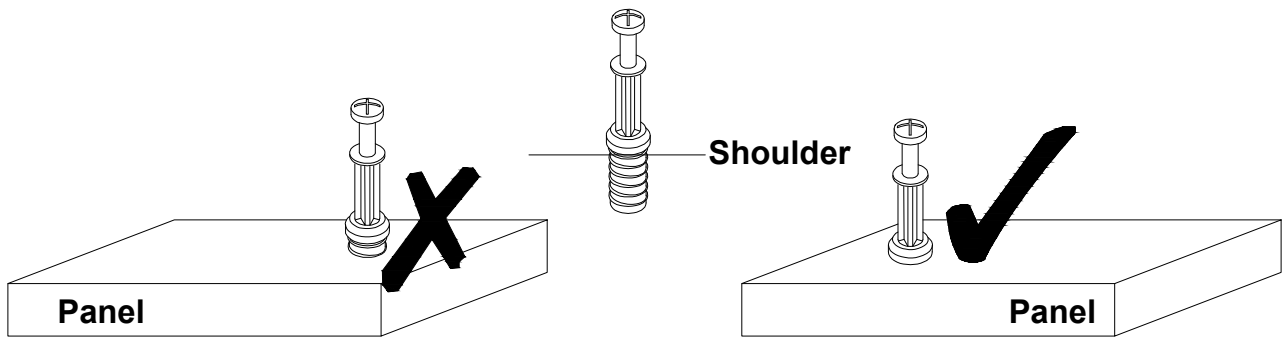
Designed for everyday

Before Assembly

Tips Before Your Start:

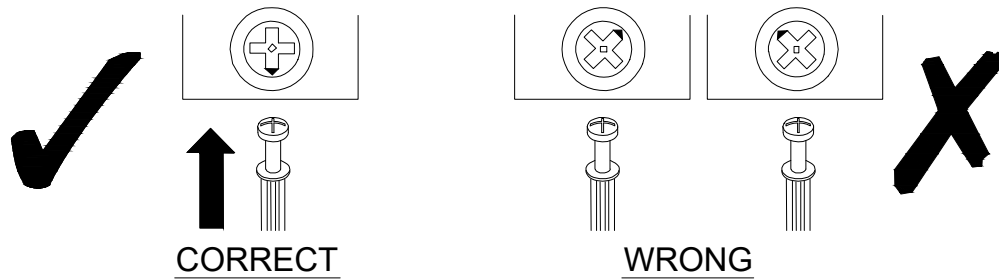
- Remove all wrapping material, including staples & packing straps before you start to assemble.
- DO NOT tighten all screws and bolts until completely assembled.
- Keep all hardware parts out of reach of children.

QUICKFIT



Tighten quickfit until shoulder is flush with panel. Do not overtighten or undertighten.

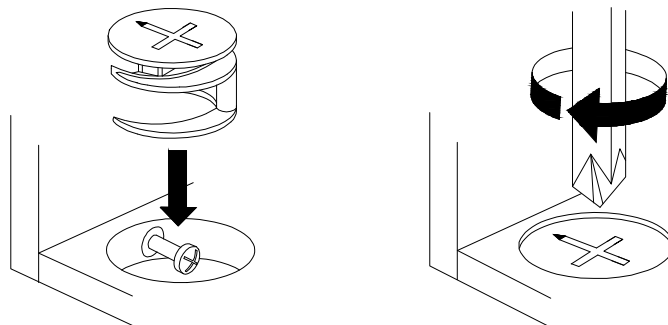
CAM LOCK



When fitting cam lock, ensure starting position is correct before you insert connecting quickfit.

Quickfit head should be in the centre of the cam lock when the two panels are joined.

Cam lock should be inserted before quickfit.



Turn cam lock clockwise to tighten.

Component Hardware

Please check you have all the fittings part or tools are listed in below.

No. A
Quantity: 10 Pcs
Cam Lock Dowel
8*28mm



No. B
Quantity: 4Pcs
Dowel
8*30mm



No. C
Quantity: 10Pcs
Cam
φ15



No. D
Quantity: 11 Pcs
Screw
M6*50mm



No. E
Quantity: 2Sets
Screw
M6*80mm



No. F
Quantity: 2 Pcs
Screw
5*60mm



No. G
Quantity: 2Pcs
Sticker

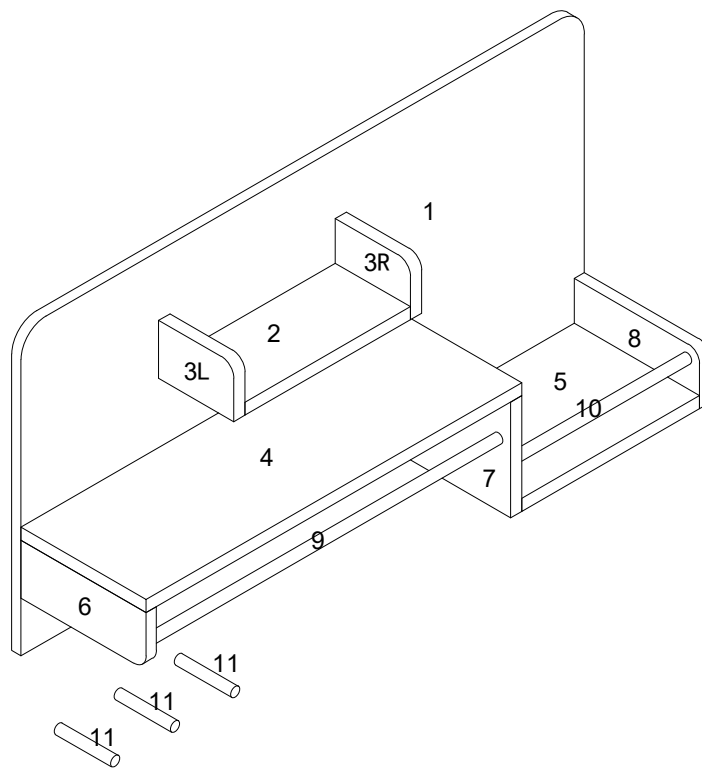


No. H
Quantity: 10Pcs
Sticker

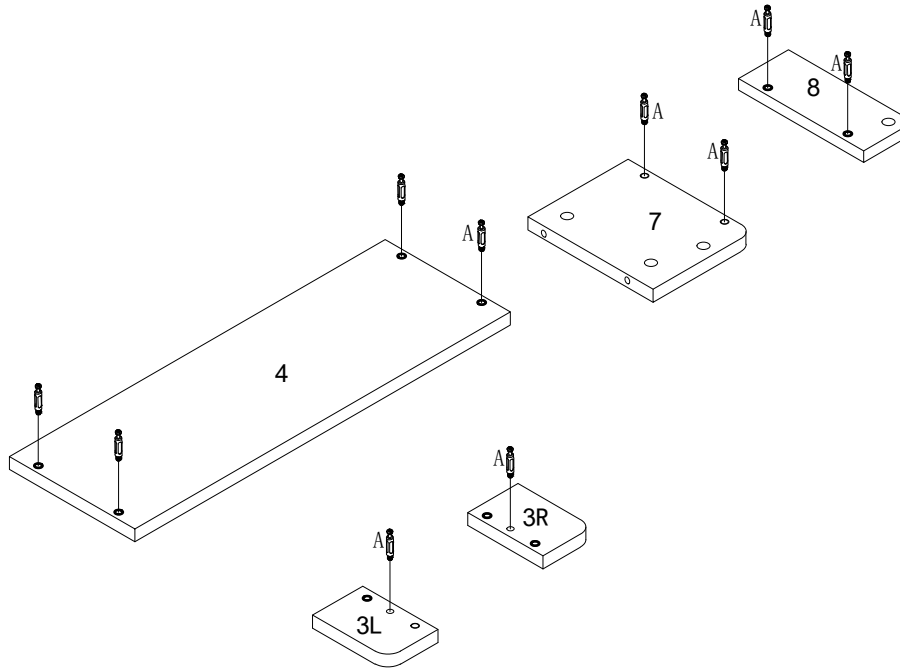


Component Panels & Part List

Please check you have all the panels are listed below.



STEP 1



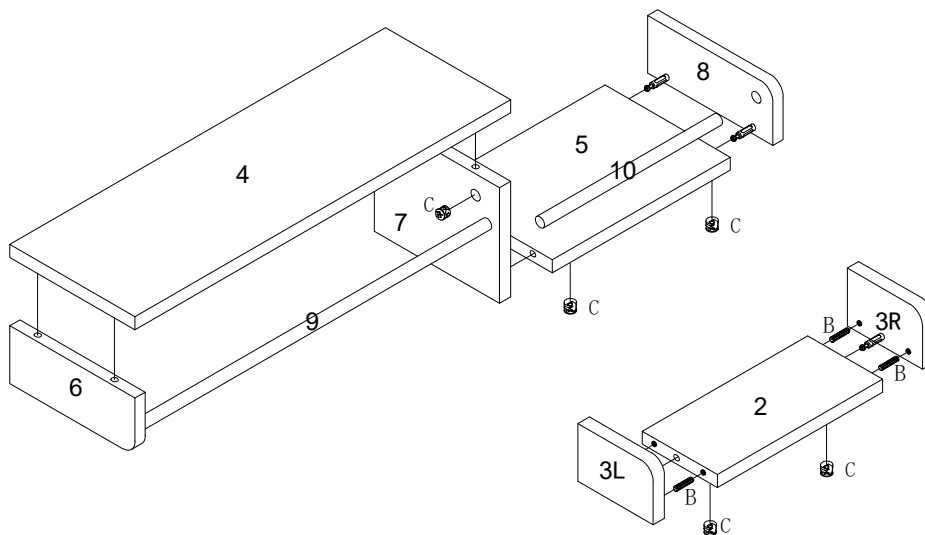
No. A

Quantity: 10 Pcs

Cam Lock Dowel
8*28 mm



STEP 2



No. C

Quantity: 10 Pcs

Cam Lock
φ15mm



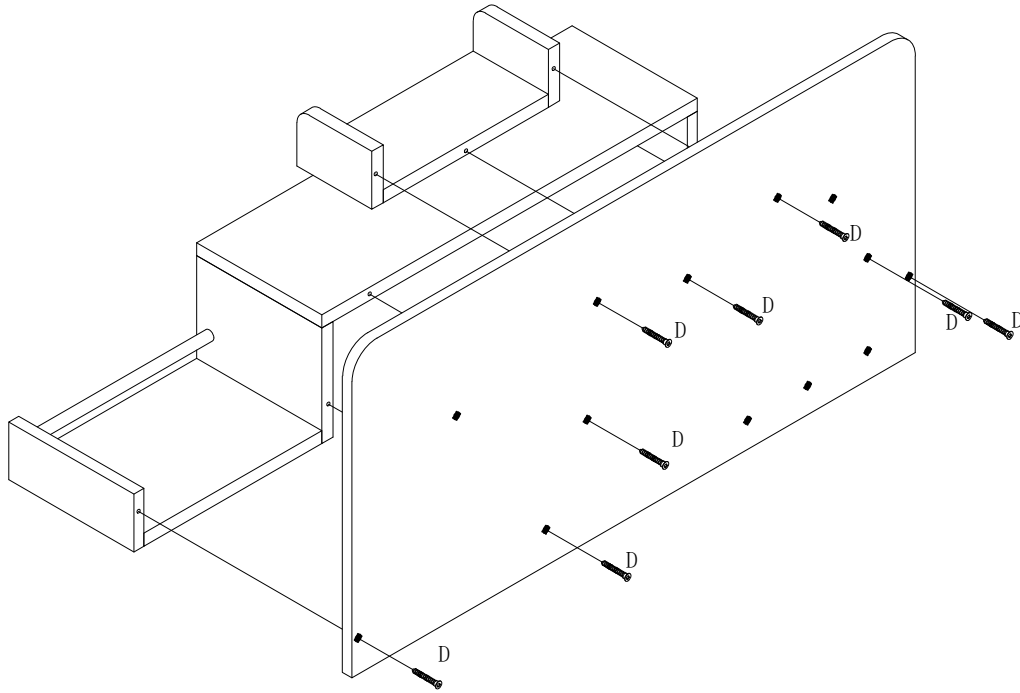
No. B


Quantity: 4 Pcs

Dowel
8*30mm

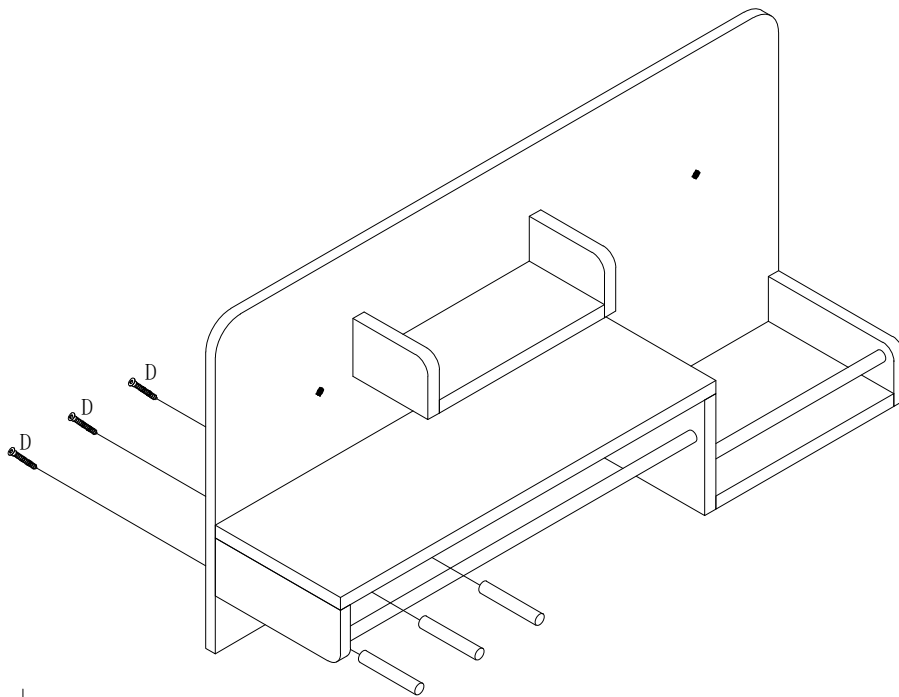



STEP 3



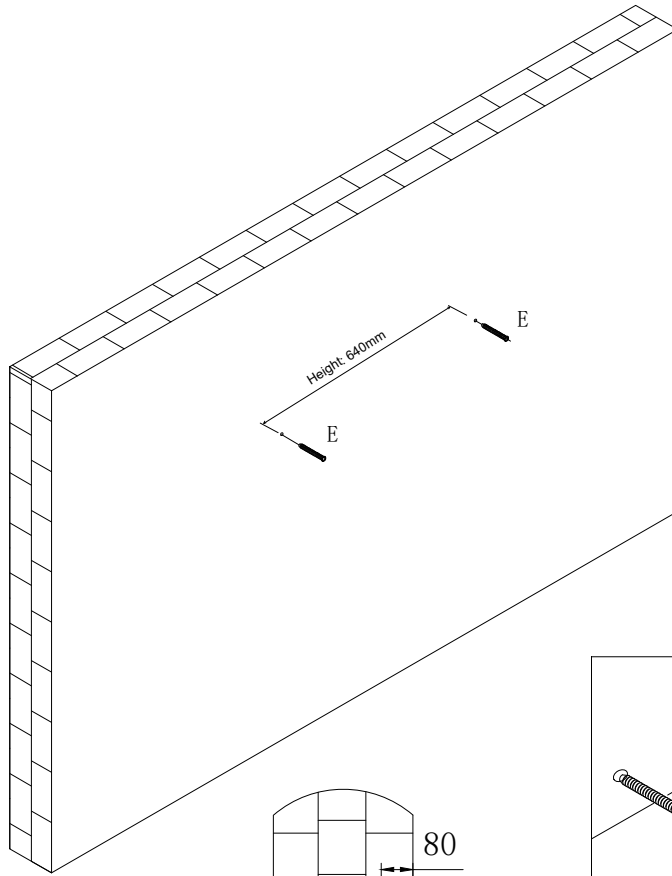
No. D
Quantity: 8 Pcs
Screw
M6*50mm 

STEP 4

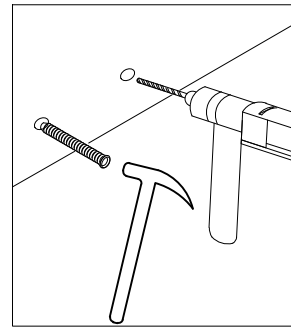
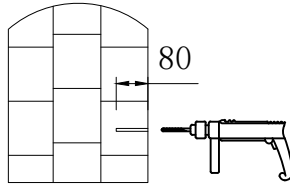


No. D
Quantity: 3 Pcs
Screw
M6*50mm 

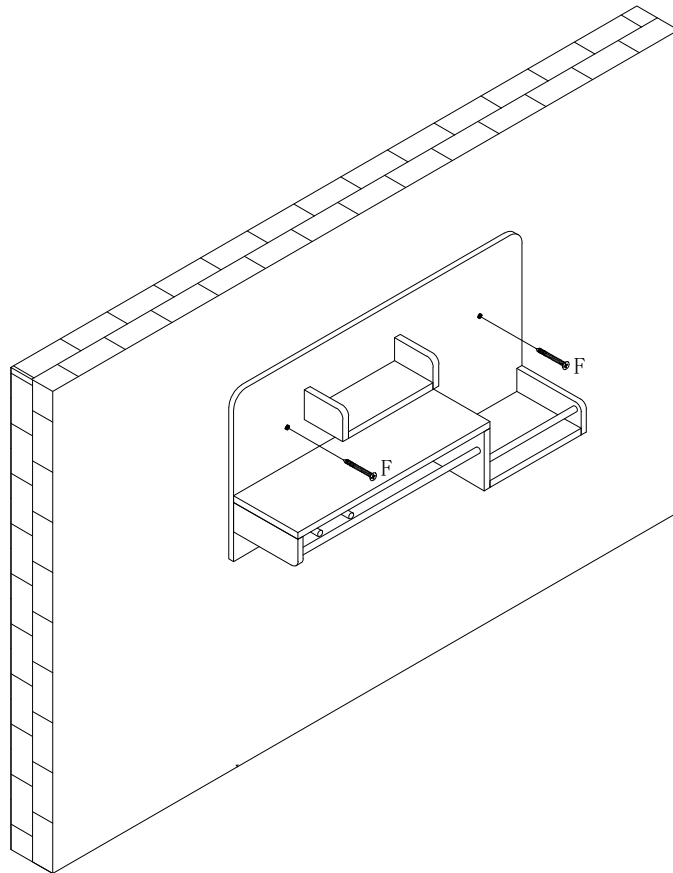
STEP 5



No. D
Quantity: 2 Pcs
Screw
M6*80mm



STEP 6



No. F
Quantity: 2 Pcs
Screw
M5*60mm

