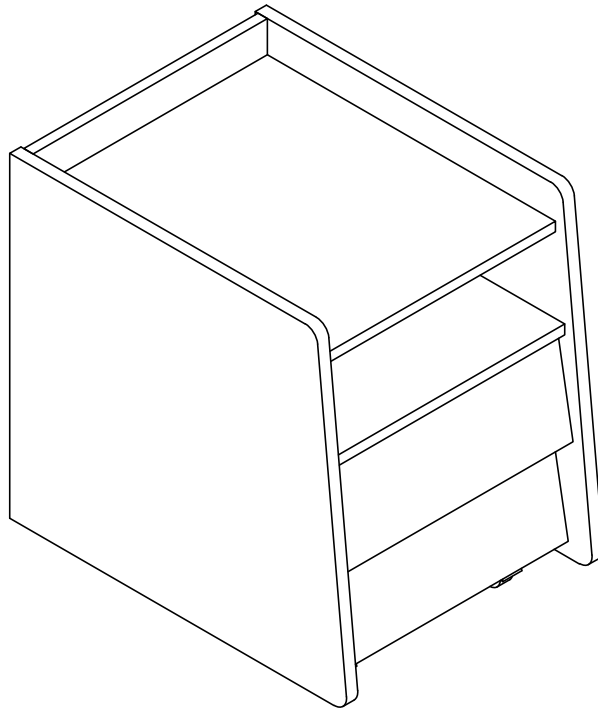




Assembly Instructions

Item Code: 22KDS011

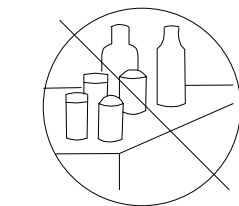
Description: Kaia Kids Bedside Table



Important Tips and Maintenance



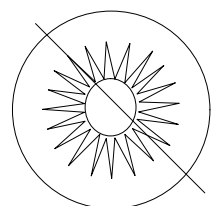
1. Keep children and animals away from working area as smaller parts may cause choking if swallowed.



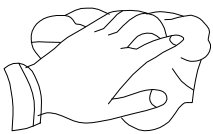
2. Never place liquids or anything damp upon furniture as it will mark. Ensure a coaster or running is beneath.



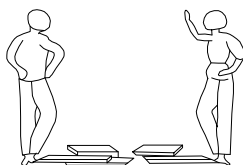
3. Never use ammonia based cleaning products as it will damage the finish.



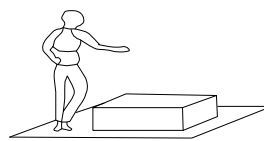
4. To avoid fading, keep furniture out of direct sunlight.



5. Use a soft or damp cloth (dry cloth) when wiping or cleaning surfaces.



6. Two person are required.



7. Lay a soft matt down to protect the furniture piece before and during assembly.

So your relationship is strong. But is it flat-pack furniture strong? Unless you're an aerospace engineer, assembling furniture can be slightly stressful. We recommend meditating quietly, pouring yourself a herbal tea (or slightly less herbal wine) and tackling things one step at a time. If you feel a passive aggressive remark coming on, try a compliment instead. E.g. "You're so good looking"

This 10-step assembly should take around 60 minutes with an Allen Key - or 35 minutes with an electric drill. Godspeed.

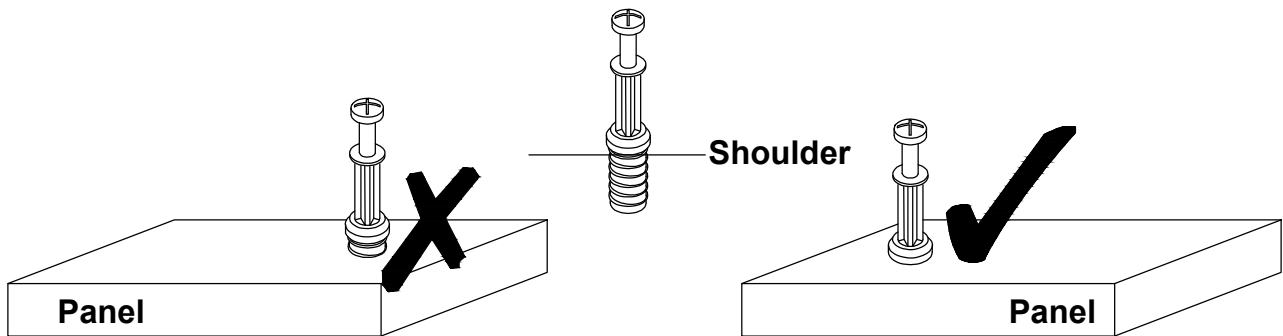
Designed for everyday

Before Assembly

Tips Before Your Start:

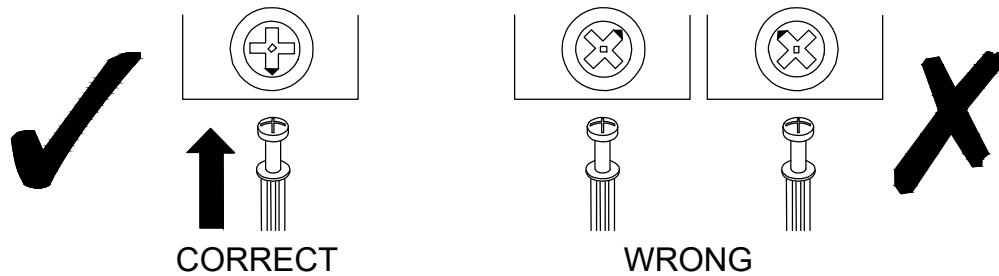
- Remove all wrapping material, including staples & packing straps before you start to assemble.
- DO NOT tighten all screws and bolts until completely assembled.
- Keep all hardware parts out of reach of children.

QUICKFIT



Tighten quickfit until shoulder is flush with panel. Do not overtighten or undertighten.

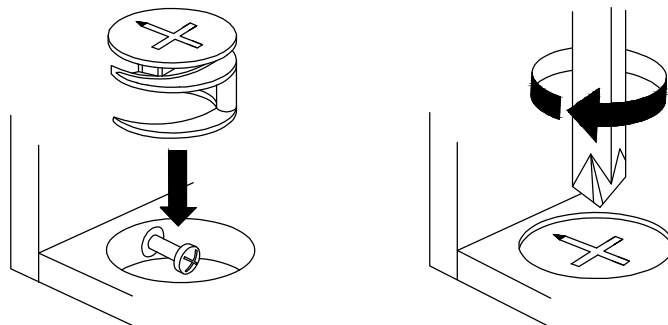
CAM LOCK



When fitting cam lock, ensure starting position is correct before you insert connecting quickfit.

Quickfit head should be in the centre of the cam lock when the two panels are joined.

Cam lock should be inserted before quickfit.



Turn cam lock clockwise to tighten.

Component Hardware

Please check you have all the fittings part or tools are listed in below.

No. A
Quantity:22Pcs
Cam Lock Dowel
8*28mm



No. B
Quantity:14Pcs
Dowel
8*30mm



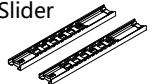
No. C
Quantity:22Pcs
Cam
φ15



No. D
Quantity:4Pcs
Wheel



No. E
Quantity:2Sets
Drawer Slider
12"



No. F
Quantity:40Pcs
Screw
4*14mm



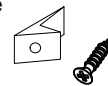
No. G
Quantity:8 Pcs
Screw
4*30mm



No. H
Quantity:22Pcs
Sticker

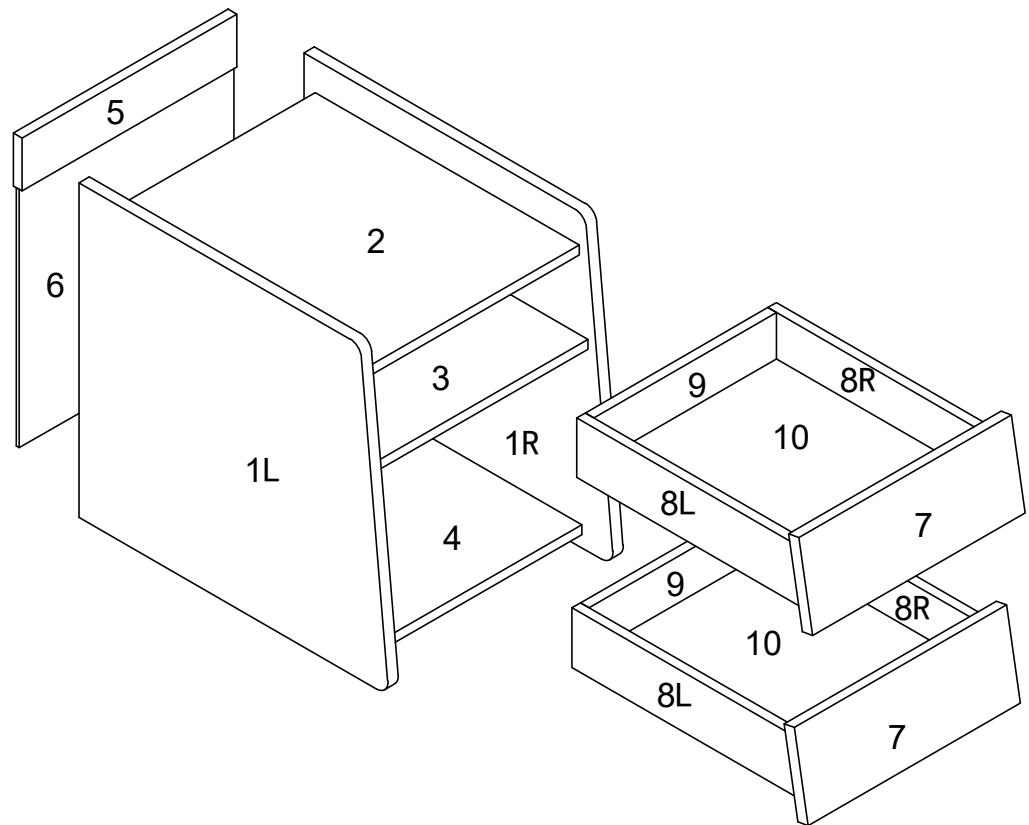


No. K
Quantity:4Pcs
Plastic Wedge

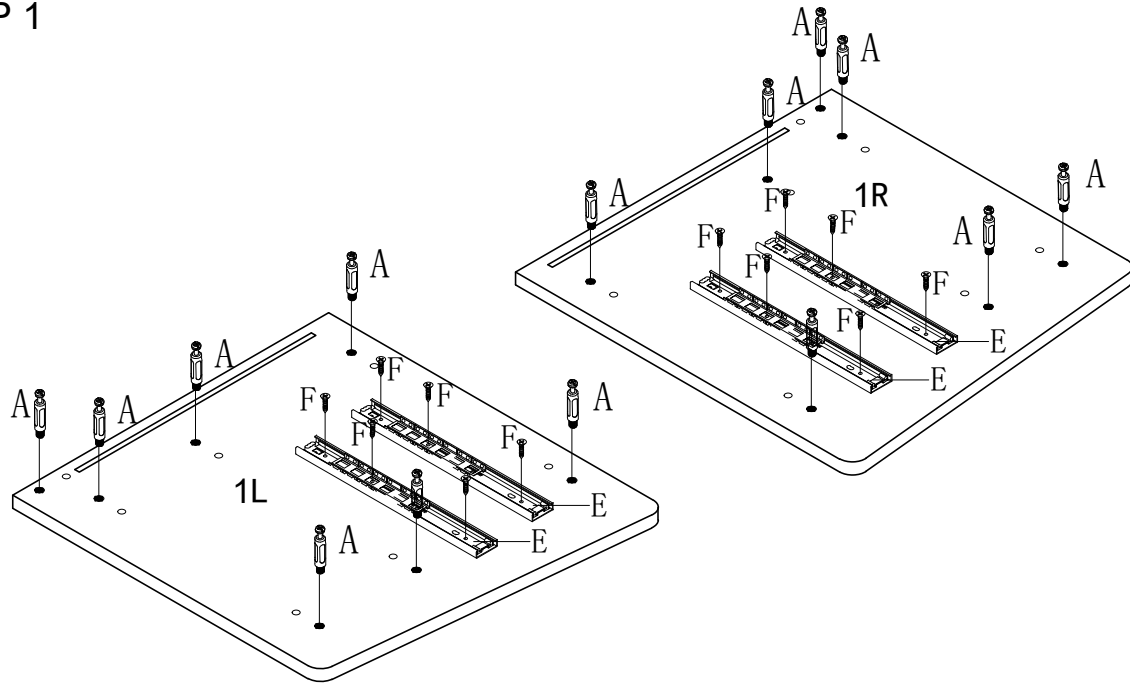


Component Panels & Part List


Please check you have all the panels are listed below.




STEP 1



No. A
Quantity: 14 Pcs
Cam Lock Dowel
8*28 mm



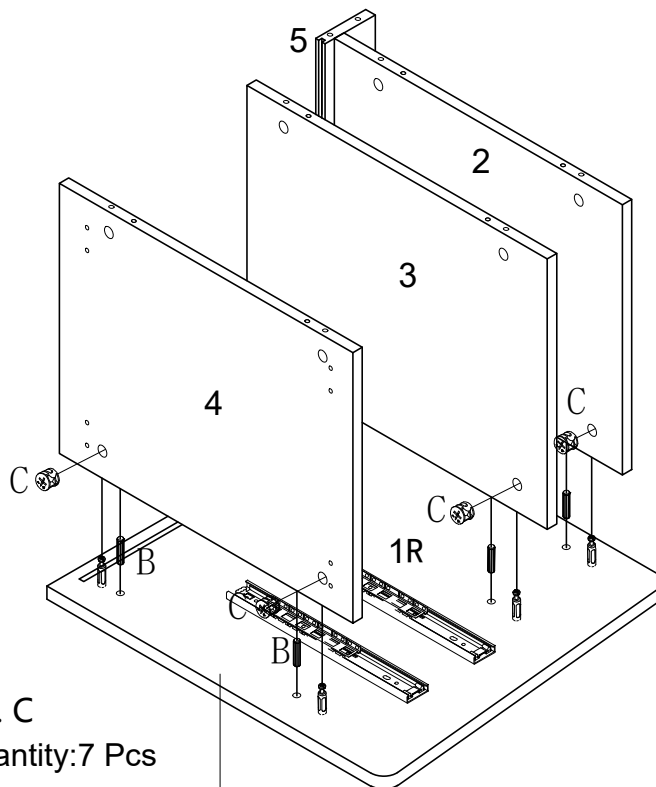
No. F
Quantity: 12 Pcs
Screw
4*14mm




No. E
Quantity: 2 Sets
Drawer Slider
12"




STEP 2



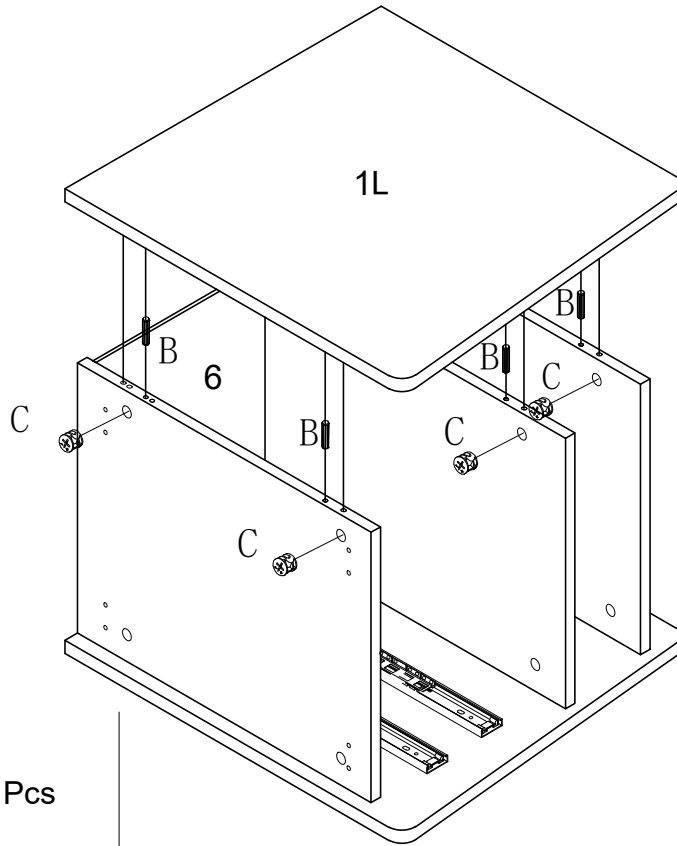
No. B
Quantity: 7 Pcs
Dowel
8*30mm



No. C
Quantity: 7 Pcs
Cam Lock
φ15mm



STEP 3



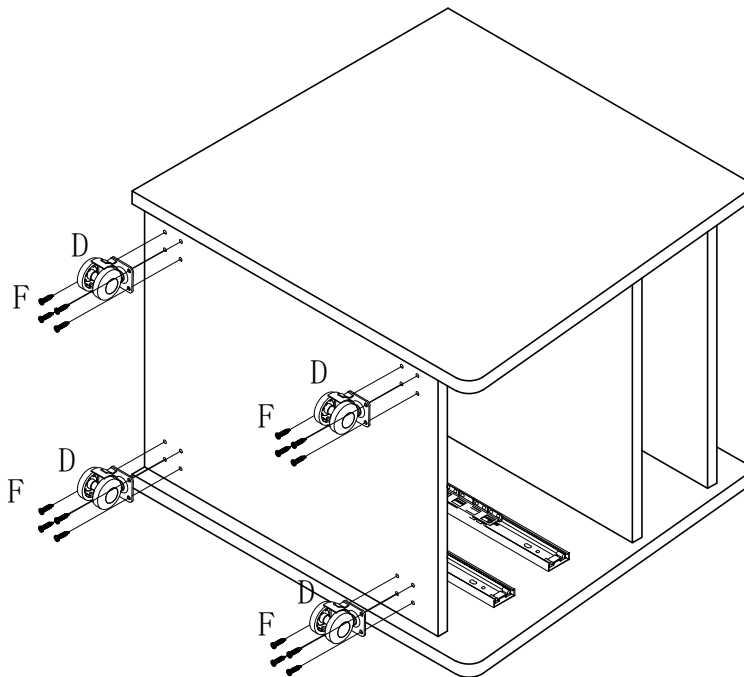
No. B
Quantity: 7 Pcs
Dowel
8*30mm



No. C
Quantity: 7 Pcs
Cam Lock
φ15mm



STEP 4



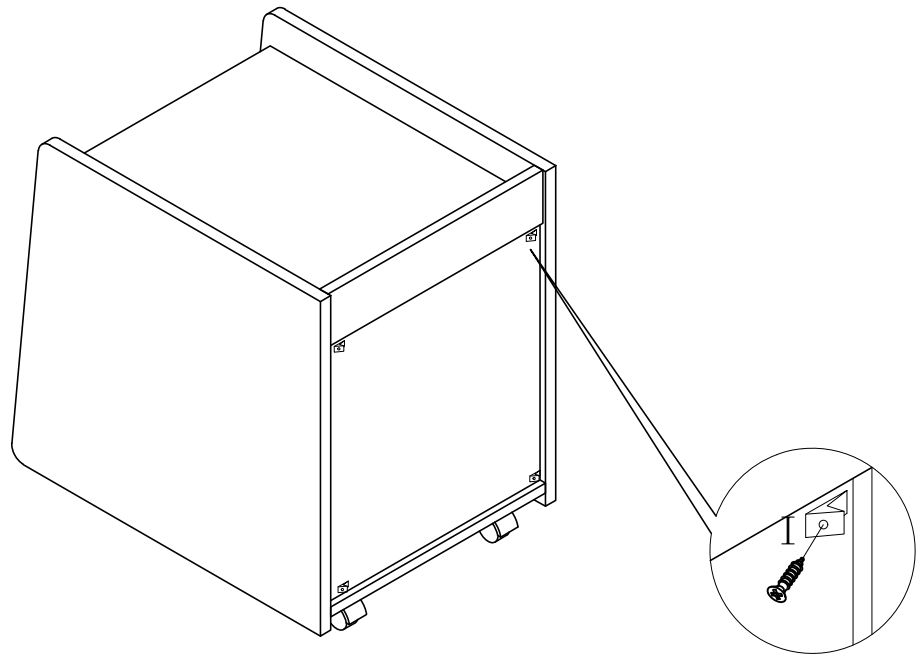
No. D
Quantity: 4 Pcs
Wheel



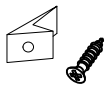
No. F
Quantity: 16 Pcs
Screw
4*14mm



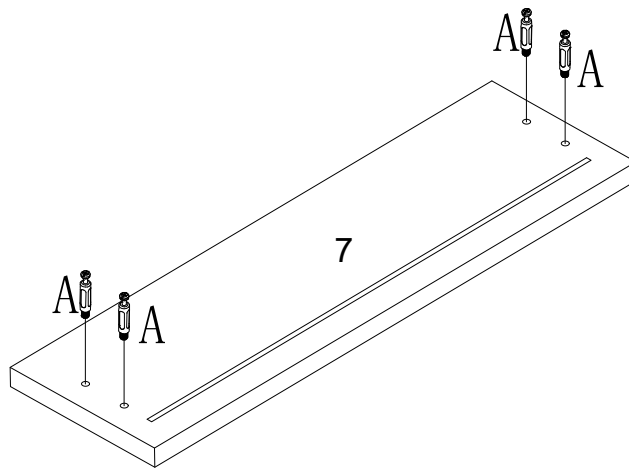
STEP 5



No. K
Quantity: 4 Pcs
Plastic Wedge



STEP 6

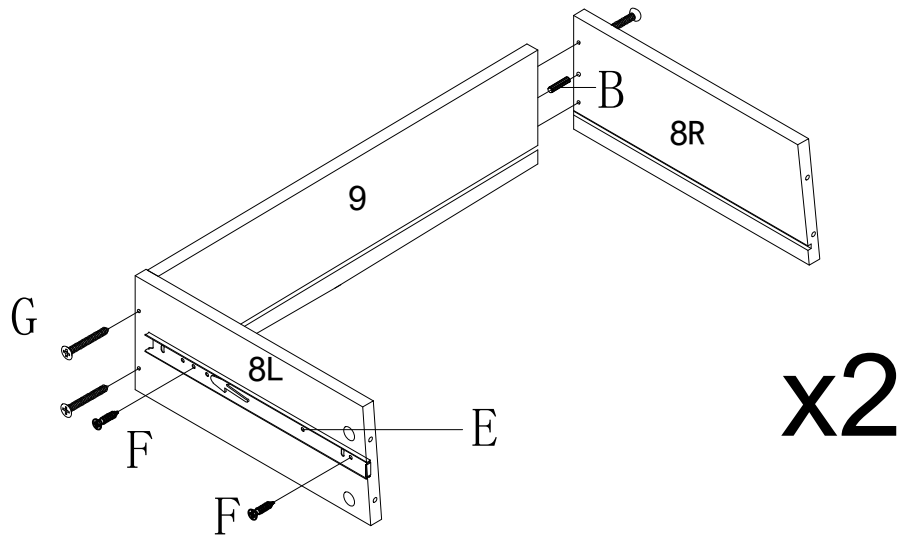


x2

No. A
Quantity: 8 Pcs
Cam Lock Dowel
8*28 mm



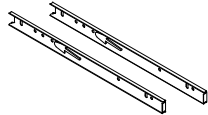
STEP 7



No. F
Quantity: 12 Pcs
Screw
4*14mm



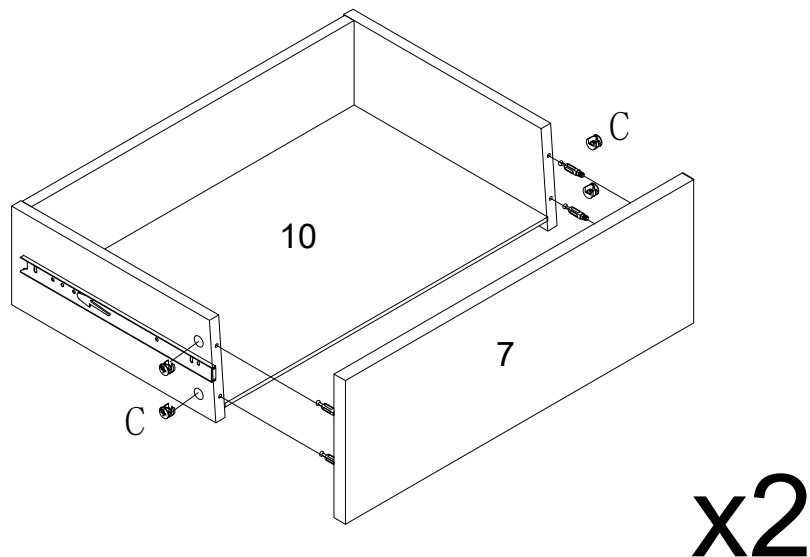
No. E
Quantity: 2 Sets
Drawer Slider
12"



No. G
Quantity: 8 Pcs
Screw
4*30mm



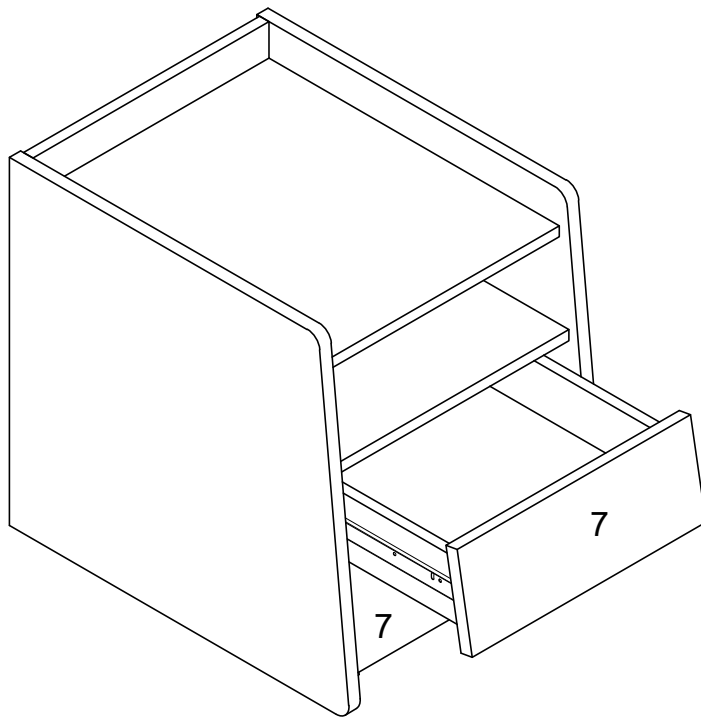
STEP 8



No. C
Quantity: 8 Pcs
Cam Lock
 $\phi 15\text{mm}$



STEP 9



STEP 10

