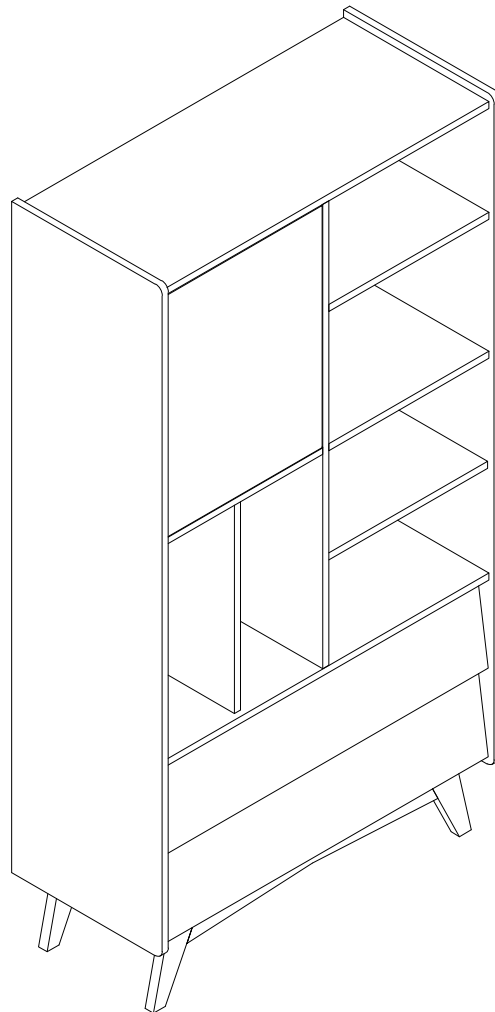




Assembly Instructions

Item Code: 22KDS009

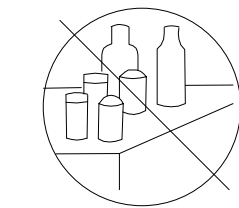
Description: Kaia Storage Cabinet



Important Tips and Maintenance



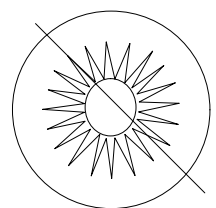
1. Keep children and animals away from working area as smaller parts may cause choking if swallowed.



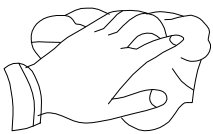
2. Never place liquids or anything damp upon furniture as it will mark. Ensure a coaster or running is beneath.



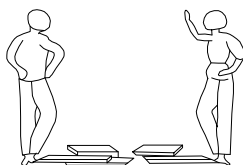
3. Never use ammonia based cleaning products as it will damage the finish.



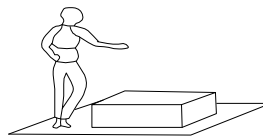
4. To avoid fading, keep furniture out of direct sunlight.



5. Use a soft or damp cloth (dry cloth) when wiping or cleaning surfaces.



6. Two person are required.



7. Lay a soft matt down to protect the furniture piece before and during assembly.

So your relationship is strong. But is it flat-pack furniture strong? Unless you're an aerospace engineer, assembling furniture can be slightly stressful. We recommend meditating quietly, pouring yourself a herbal tea (or slightly less herbal wine) and tackling things one step at a time. If you feel a passive aggressive remark coming on, try a compliment instead. E.g. "You're so good looking"

This 22-step assembly should take around 2.5 hours with an Allen Key - or 1.5 hours with an electric drill. Godspeed.

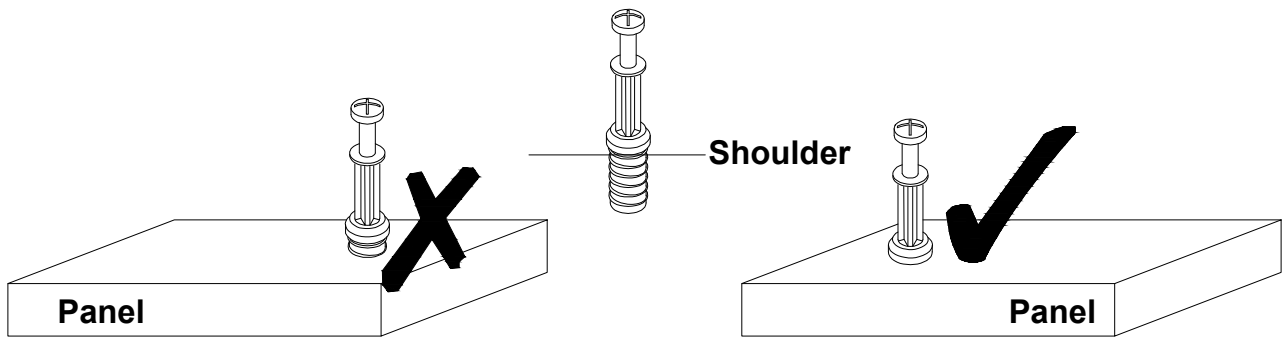
Designed for everyday

Before Assembly

Tips Before Your Start:

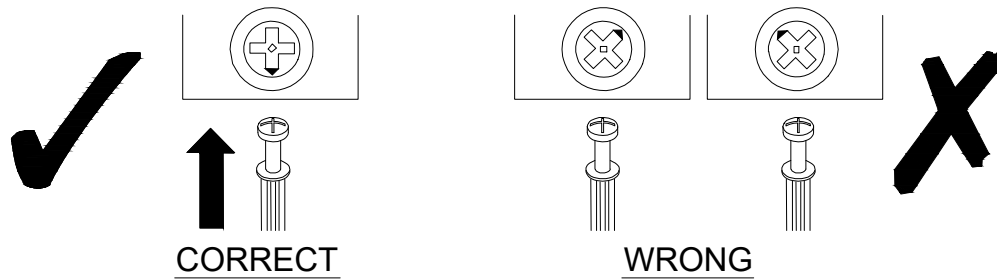
- Remove all wrapping material, including staples & packing straps before you start to assemble.
- DO NOT tighten all screws and bolts until completely assembled.
- Keep all hardware parts out of reach of children.

QUICKFIT



Tighten quickfit until shoulder is flush with panel. Do not overtighten or undertighten.

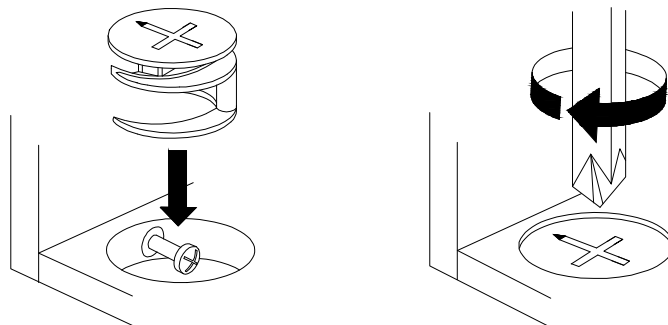
CAM LOCK



When fitting cam lock, ensure starting position is correct before you insert connecting quickfit.

Quickfit head should be in the centre of the cam lock when the two panels are joined.

Cam lock should be inserted before quickfit.



Turn cam lock clockwise to tighten.

Component Hardware

Please check you have all the fittings part or tools are listed in below.

No. A
Quantity:46Pcs
Cam Lock Dowel
8*28mm



No. B
Quantity:20Pcs
Dowel
8*30mm



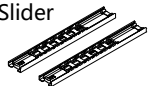
No. C
Quantity:46Pcs
Cam
φ15



No. D
Quantity:6Pcs
Screw
M6*50mm



No. E
Quantity:2Sets
Drawer Slider
12"



No. F
Quantity:46Pcs
Screw
4*14mm



No. G
Quantity:4 Pcs
Screw
4*45mm



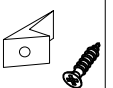
No. H
Quantity:8 Pcs
Shelf Support
M5*15mm



No. I
Quantity:1 Pc
Push-open



No. J
Quantity:12Pcs
Plastic Wedge



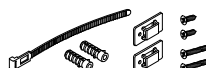
No. K
Quantity:12 Pcs
Screw
4*30mm



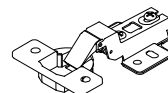
No. L
Quantity:4Pcs
L Connector
M8*35mm



No. M
Quantity:2Sets
Anti-falling Parts



No. N
Quantity:2 Pcs
Hinge



No. O
Quantity:8 Pcs
Screw
4*12mm



No. P
Quantity:1 Pcs
Allen Key
4#



No. Q
Quantity:46Pcs
Sticker



No. R
Quantity:4Pcs
Screw
M6*50

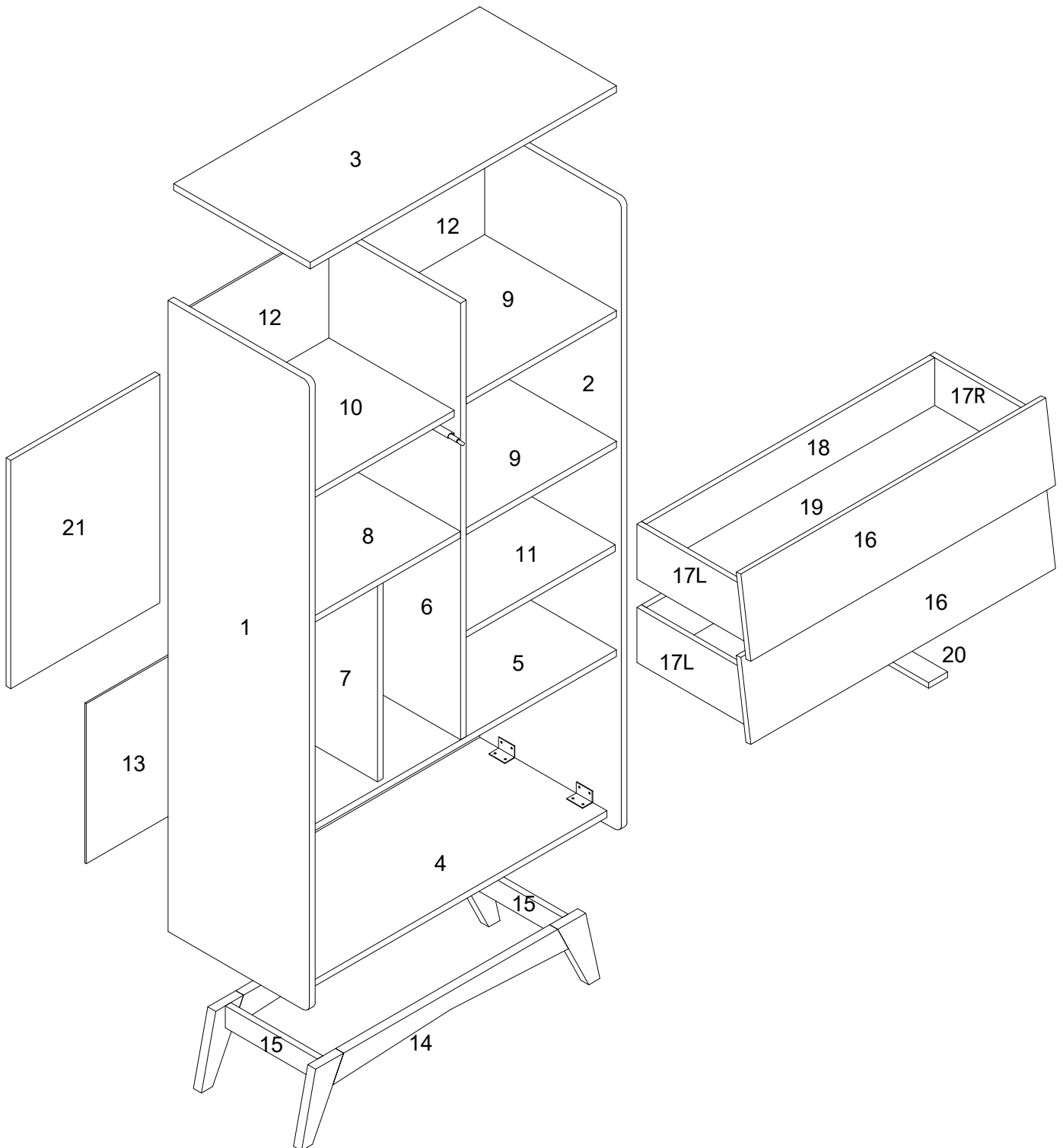


No. S
Quantity:4Pcs
Foot Pad
φ20

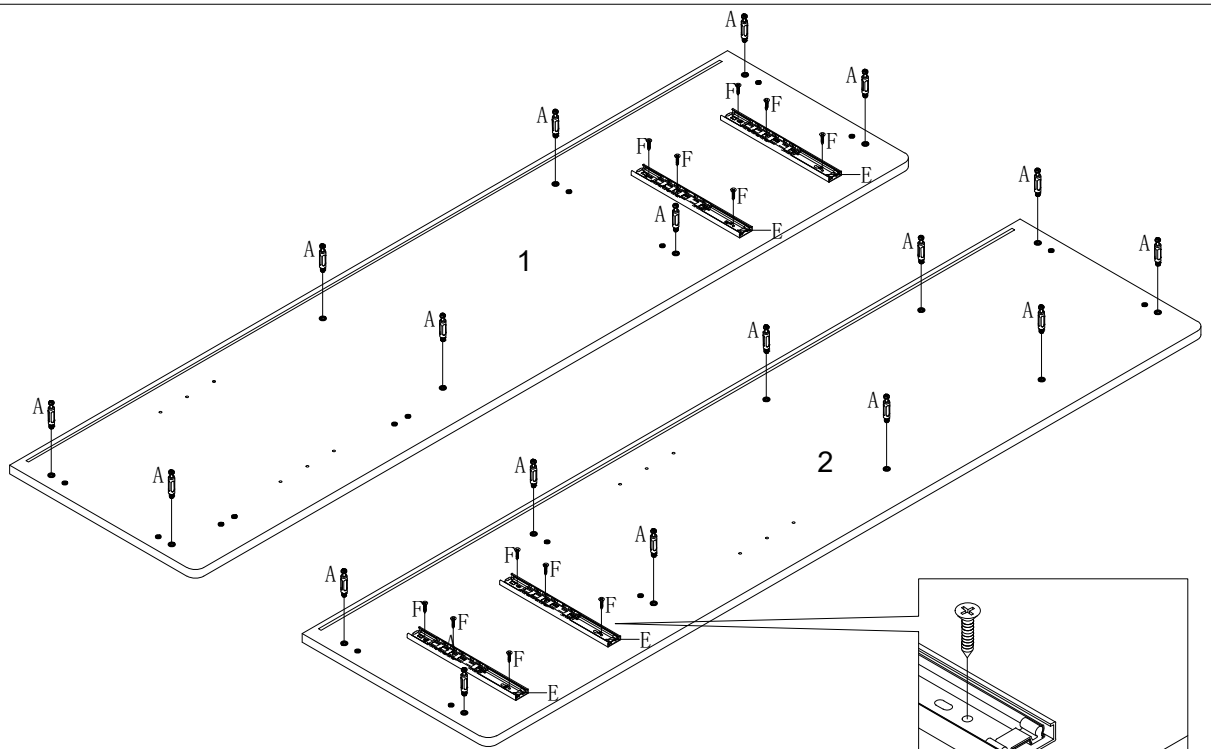


Component Panels & Part List

Please check you have all the panels are listed below.



STEP 1



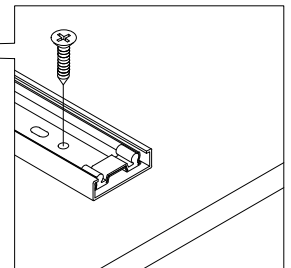
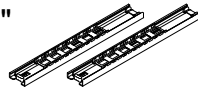
No. A
Quantity: 18 Pcs
Cam Lock Dowel
8*28 mm



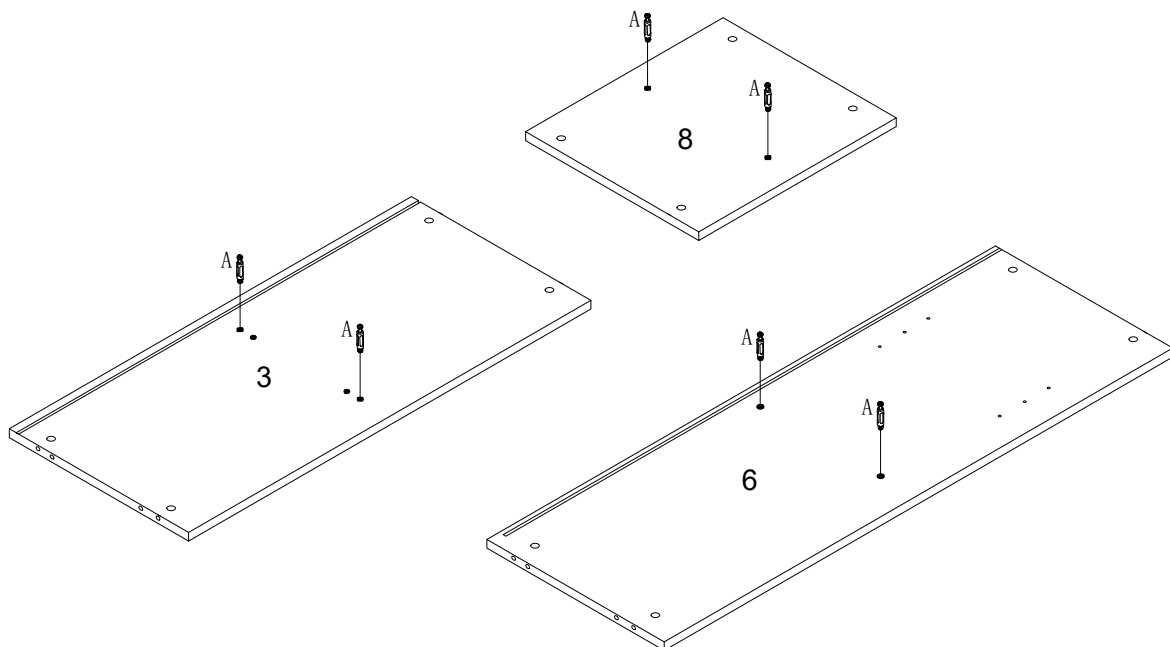
No. F
Quantity: 12 Pcs
Screw
4*14mm



No. E
Quantity: 2 Pcs
Drawer Slider
12"



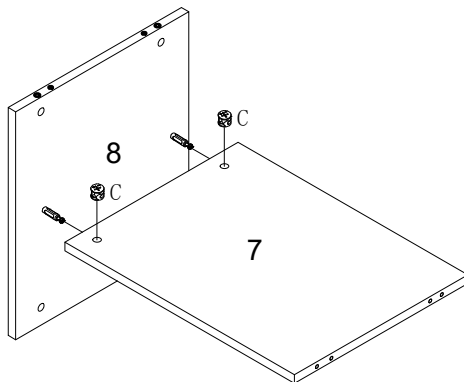
STEP 2



No. A
Quantity: 6 Pcs
Cam Lock Dowel
8*28 mm



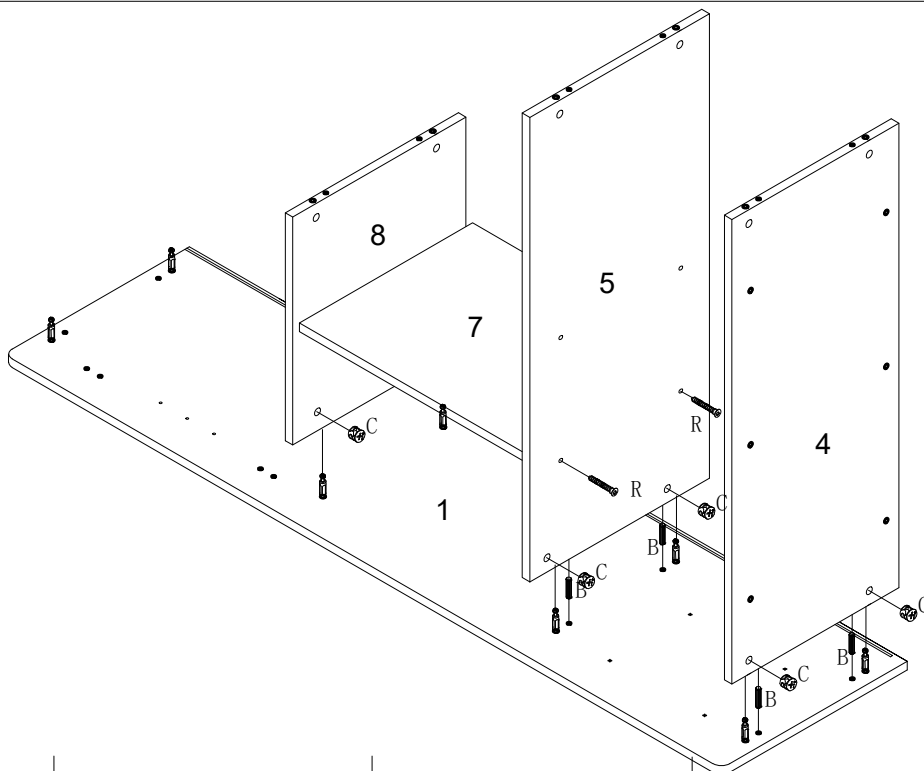
STEP 3



No. C
Quantity: 2 Pcs
Cam Lock
φ15mm



STEP 4



No. B
Quantity: 4 Pcs
Dowel
8*30mm



No. C
Quantity: 6 Pcs
Cam Lock



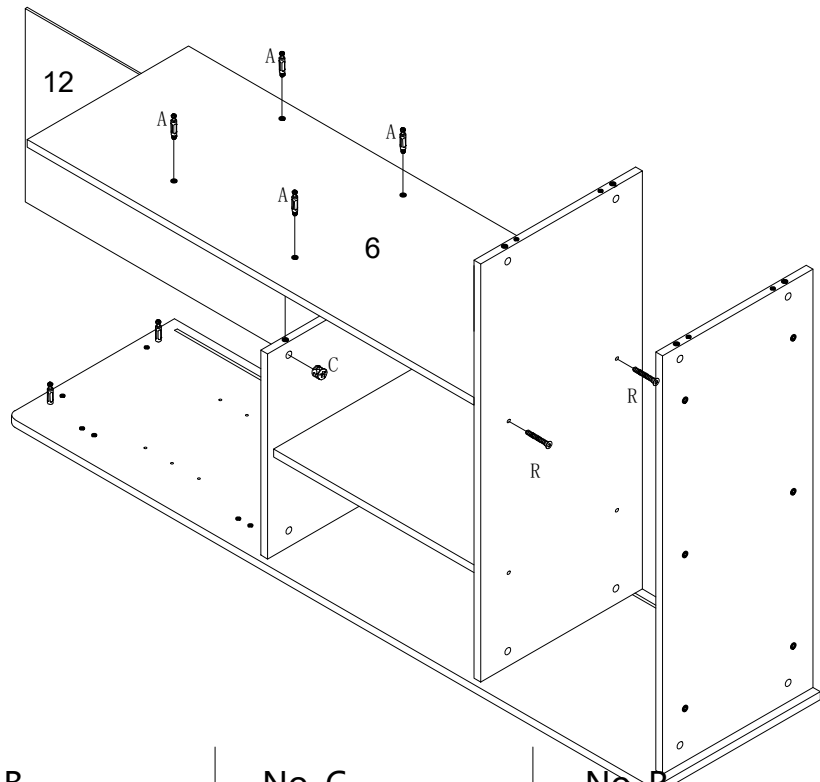
No. P
Quantity: 1 Pcs
Allen Key
4#



No. R
Quantity: 2 Pcs
Screw
M6*50mm



STEP 5



No. A
Quantity: 6 Pcs
Cam Lock Dowel
8*28 mm



No. B
Quantity: 2 Pcs
Dowel
8*30mm



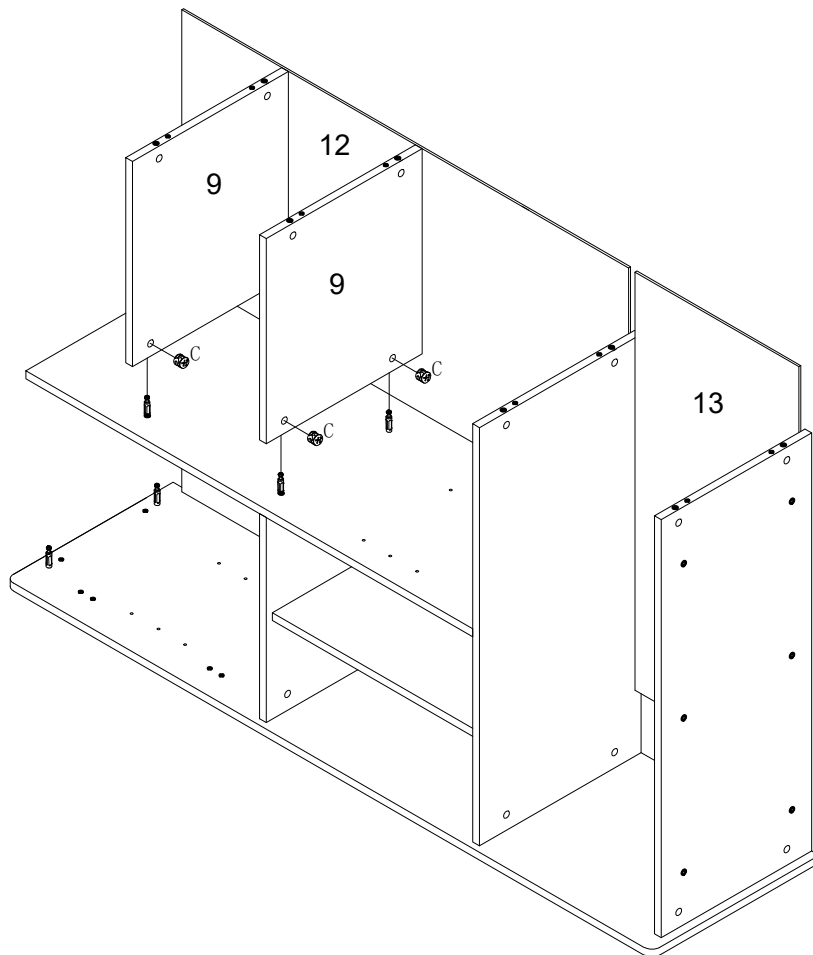
No. C
Quantity: 2 Pcs
Cam Lock
φ15mm



No. R
Quantity: 2 Pcs
Screw
M6*50mm



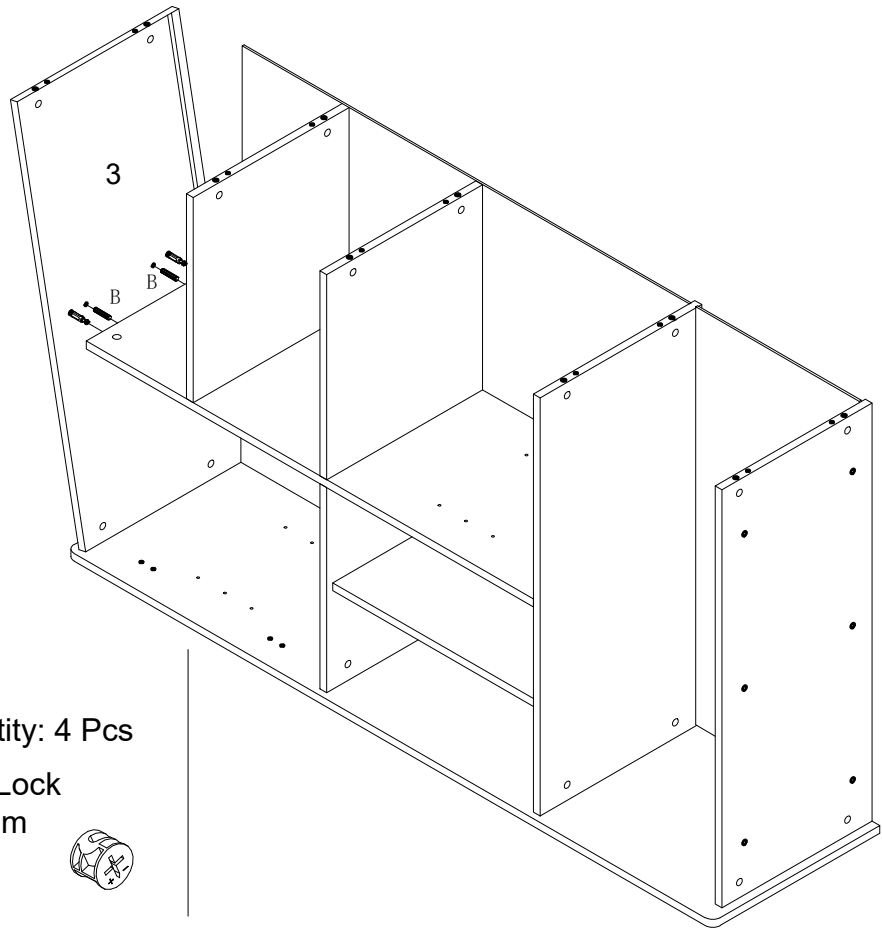
STEP 6



No. C
Quantity: 4 Pcs
Cam Lock



STEP 7



Quantity: 4 Pcs

Dowel
8*30mm

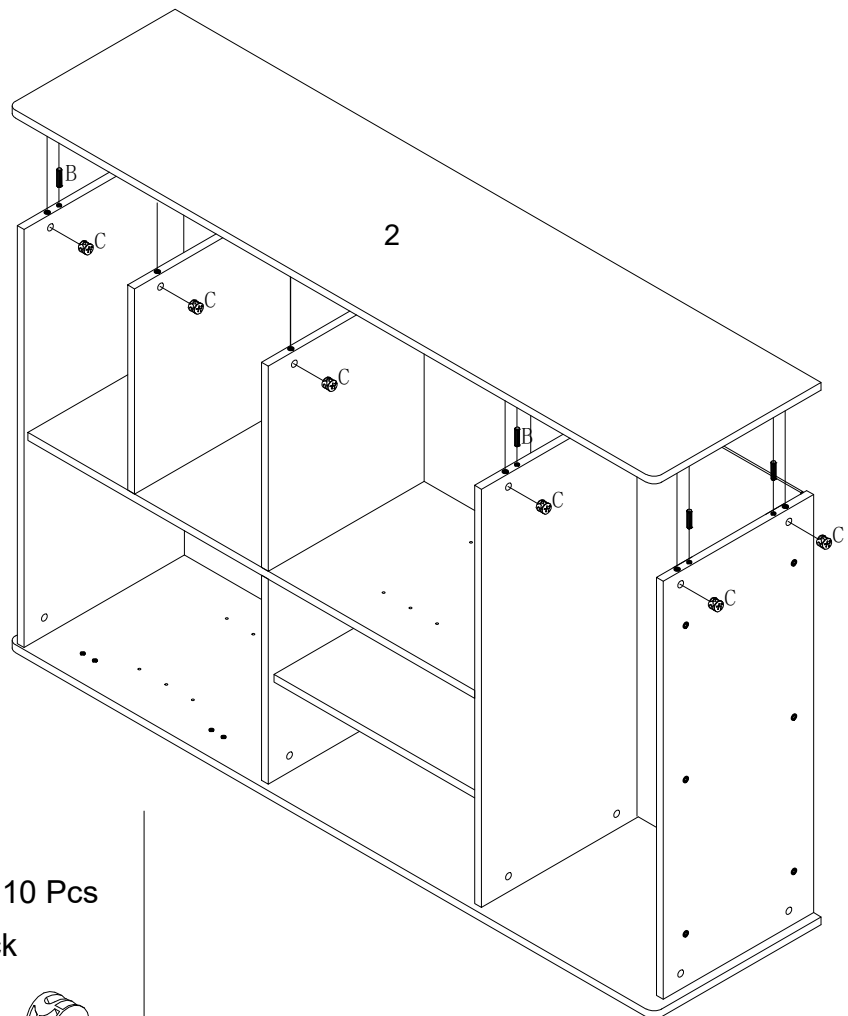


Quantity: 4 Pcs

Cam Lock
φ15mm



STEP 8



Quantity: 6 Pcs

Dowel
8*30mm

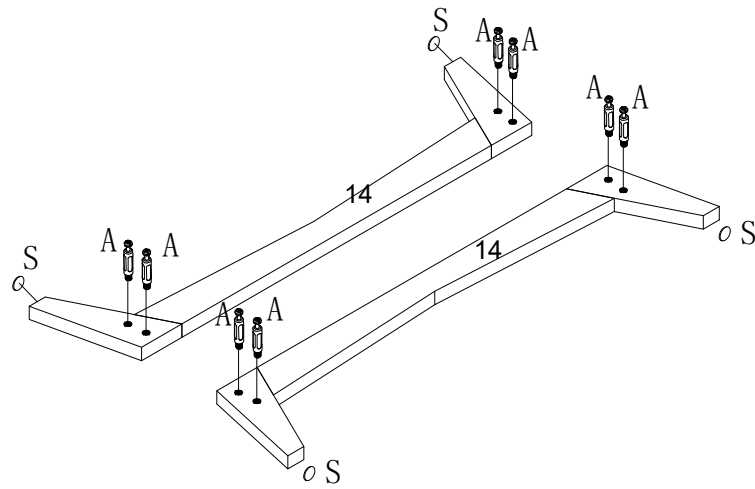


Quantity: 10 Pcs

Cam Lock
φ15mm



STEP 9



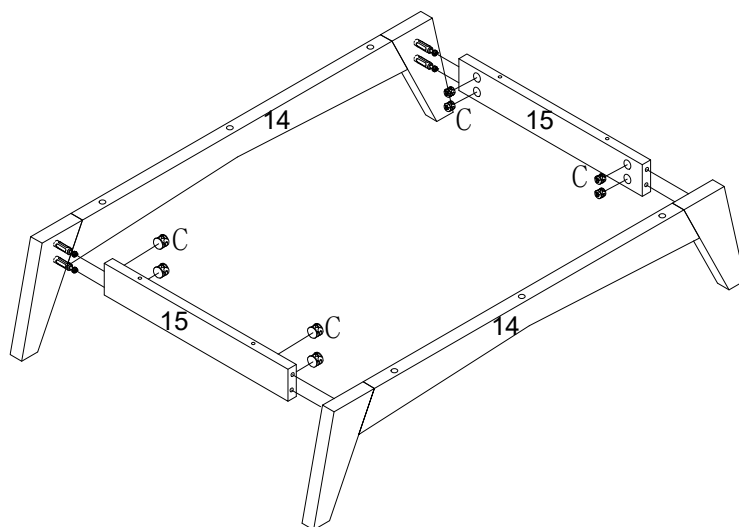
No. A
Quantity: 8 Pcs
Cam Lock Dowel
8*28 mm



No. S
Quantity: 4 Pcs
Foot Pad
φ20



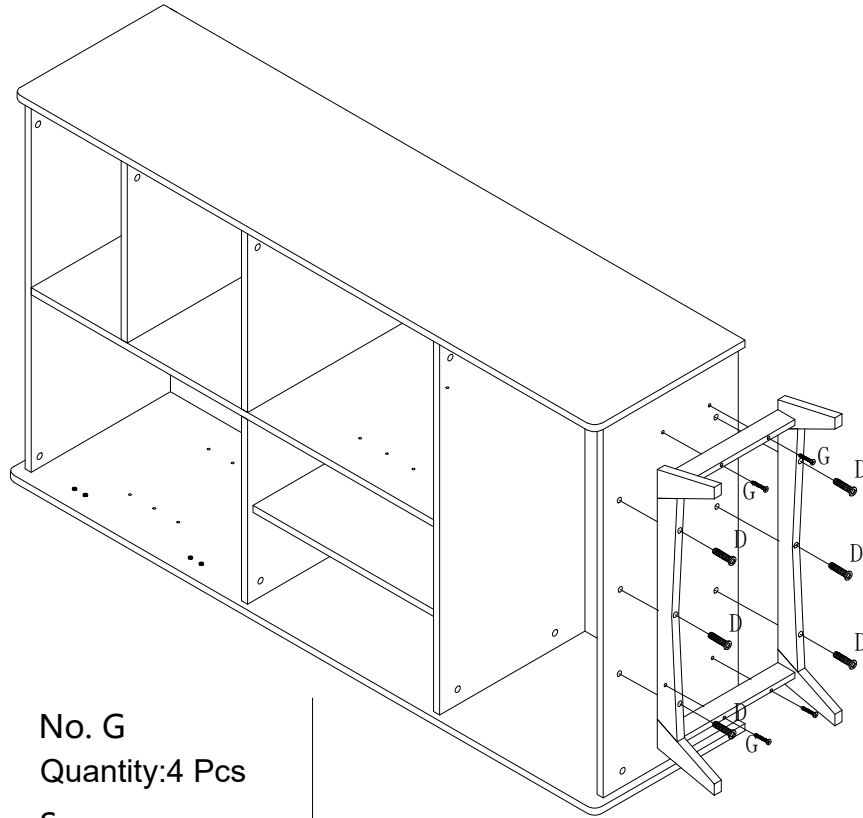
STEP 10



No. C
Quantity: 8 Pcs
Cam Lock
φ15mm



STEP 11



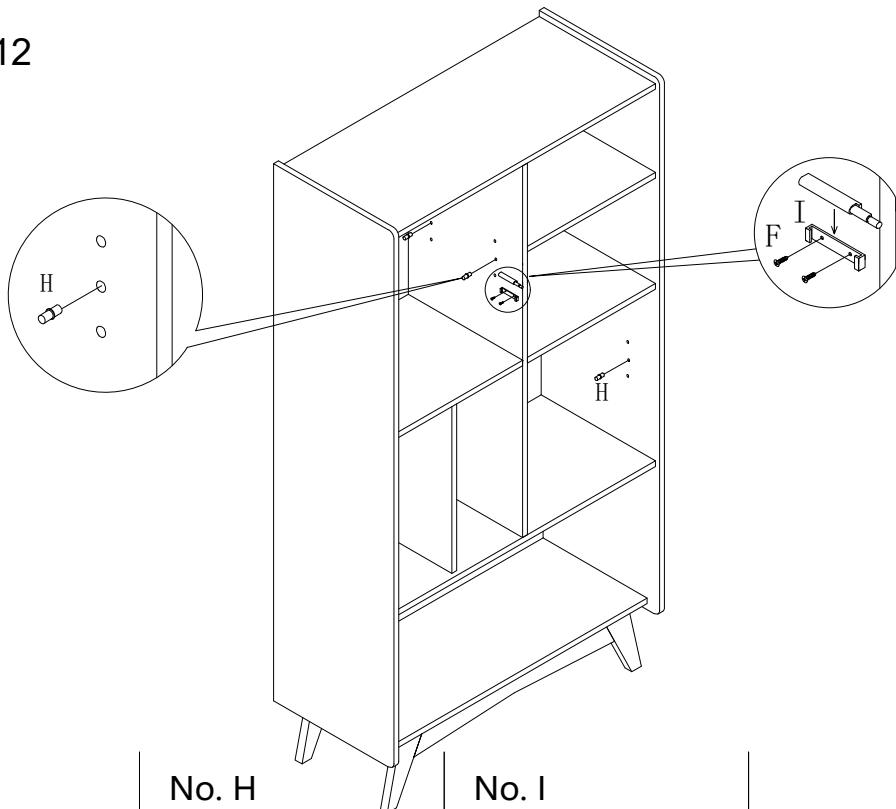
No. D
Quantity: 6 Pcs
Screw
6*50mm



No. G
Quantity: 4 Pcs
Screw
4*45mm



STEP 12



No. F
Quantity: 12 Pcs
Screw
4*14mm



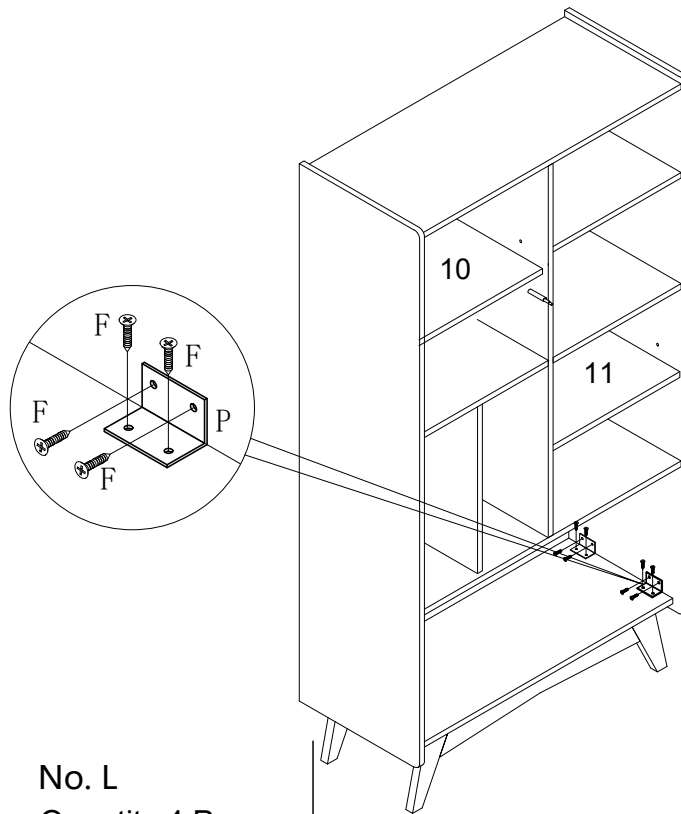
No. H
Quantity: 8 Pcs
Shelf Support
M6*12mm



No. I
Quantity: 1 Pc
Push-open



STEP 13



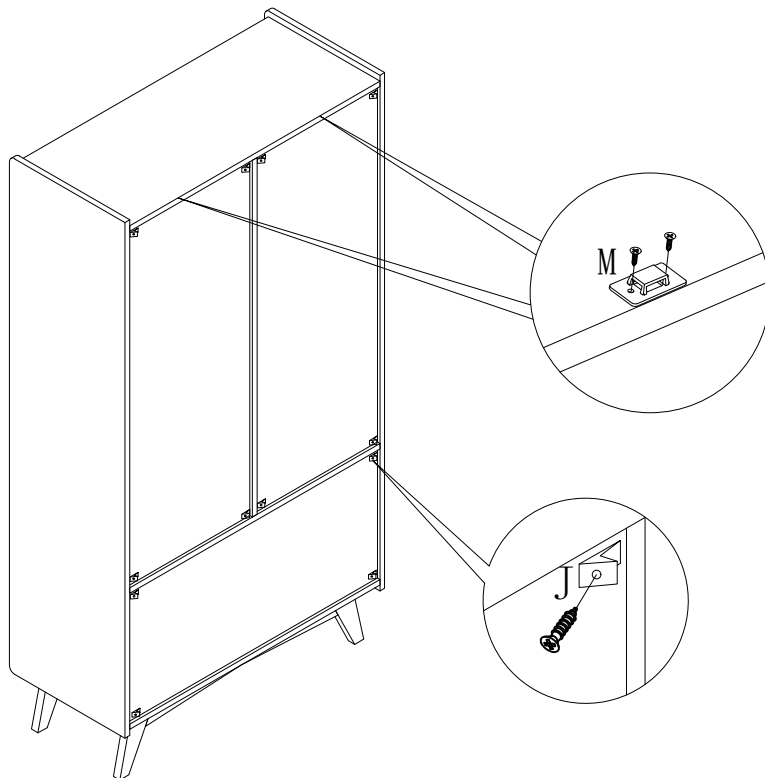
No. F
Quantity: 16 Pcs
Screw
4*14mm



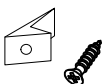
No. L
Quantity: 4 Pcs
L Connector
50*35mm



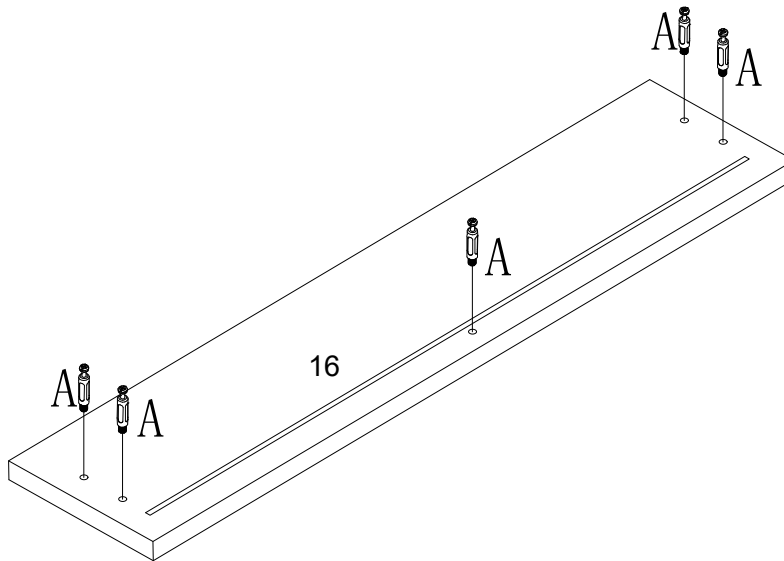
STEP 14



No. J
Quantity: 12 Pcs
Plastic Wedge



STEP 15

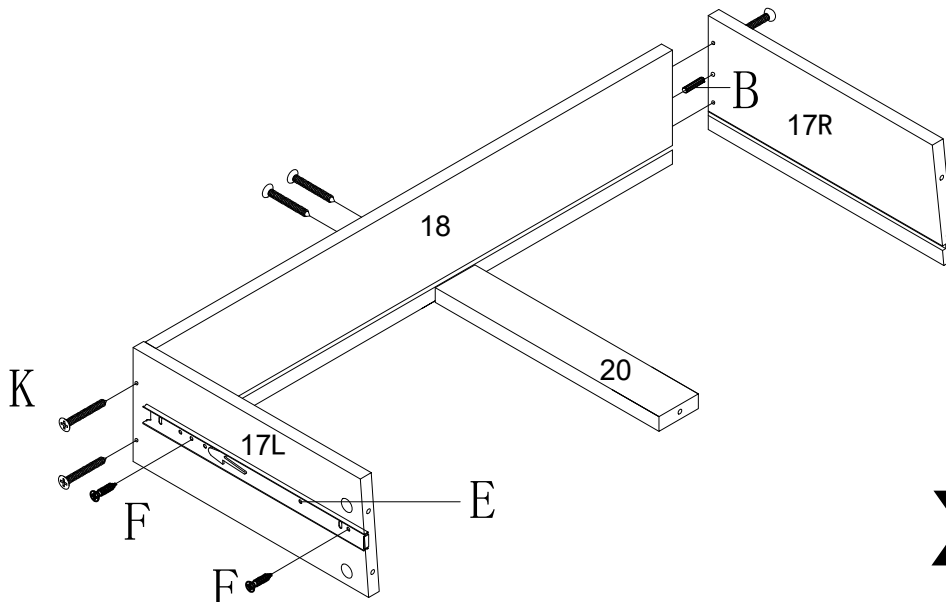


x2

No. A
Quantity: 10 Pcs
Cam Lock Dowel
8*28 mm



STEP 16



x2

No. F
Quantity: 12 Pcs
Screw
4*14mm



No. E
Quantity: 2 Sets
Drawer Slider
12"



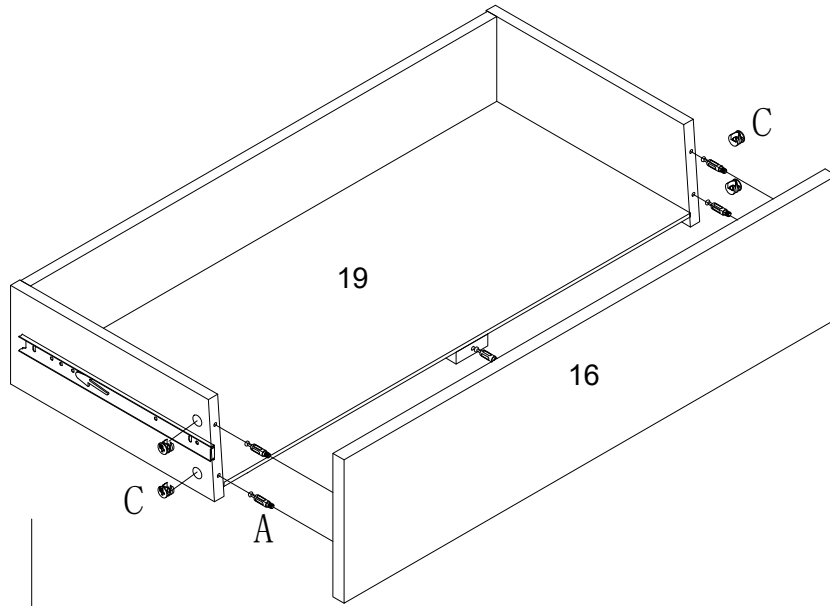
No. K
Quantity: 12 Pcs
Screw
4*30mm



No. B
Quantity: 4 Pcs
Dowel
8*30mm



STEP 17

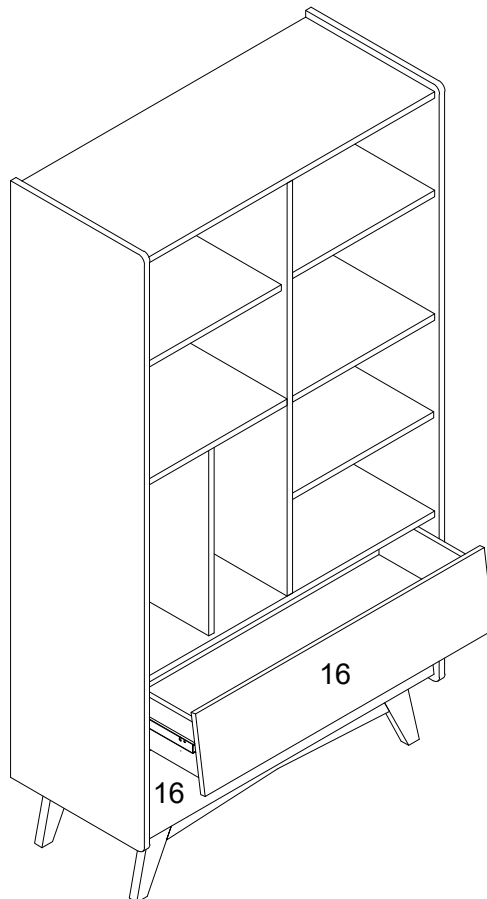


No. C
Quantity: 10 Pcs
Cam Lock

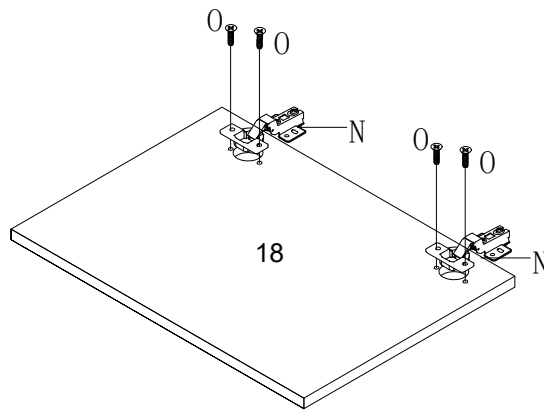


x2

STEP 18



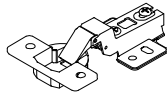
STEP 19



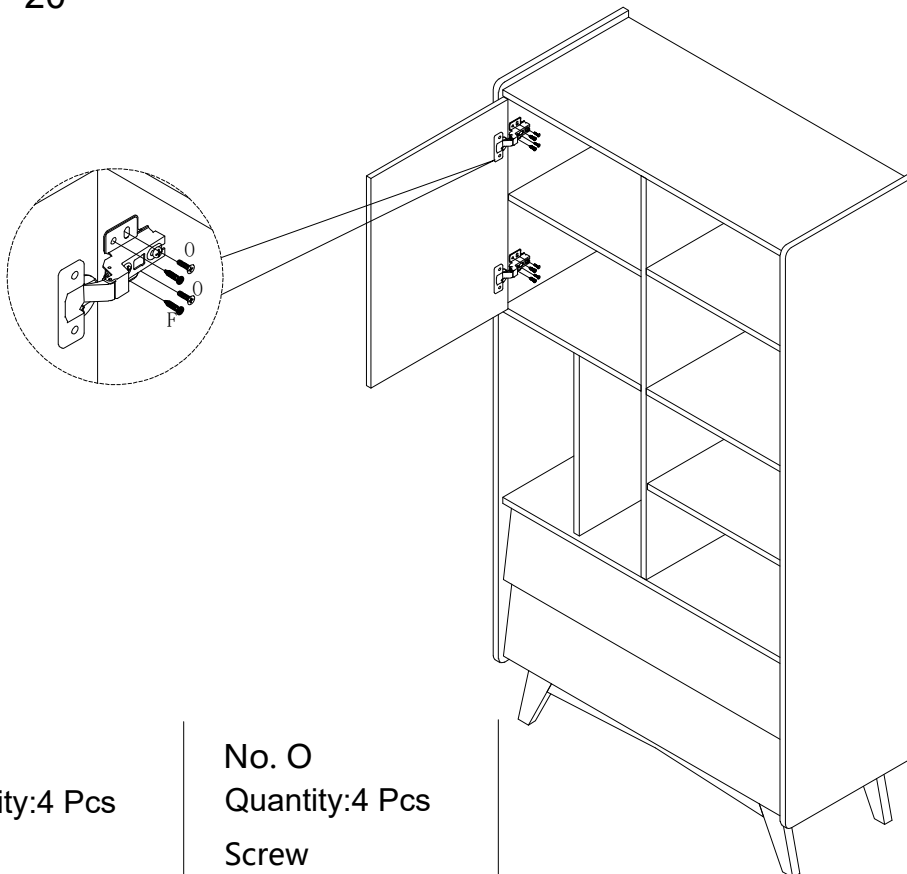
No. O
Quantity:4 Pcs
Screw
4*12mm



No.N
Quantity:2 Pcs
Hinge



STEP 20



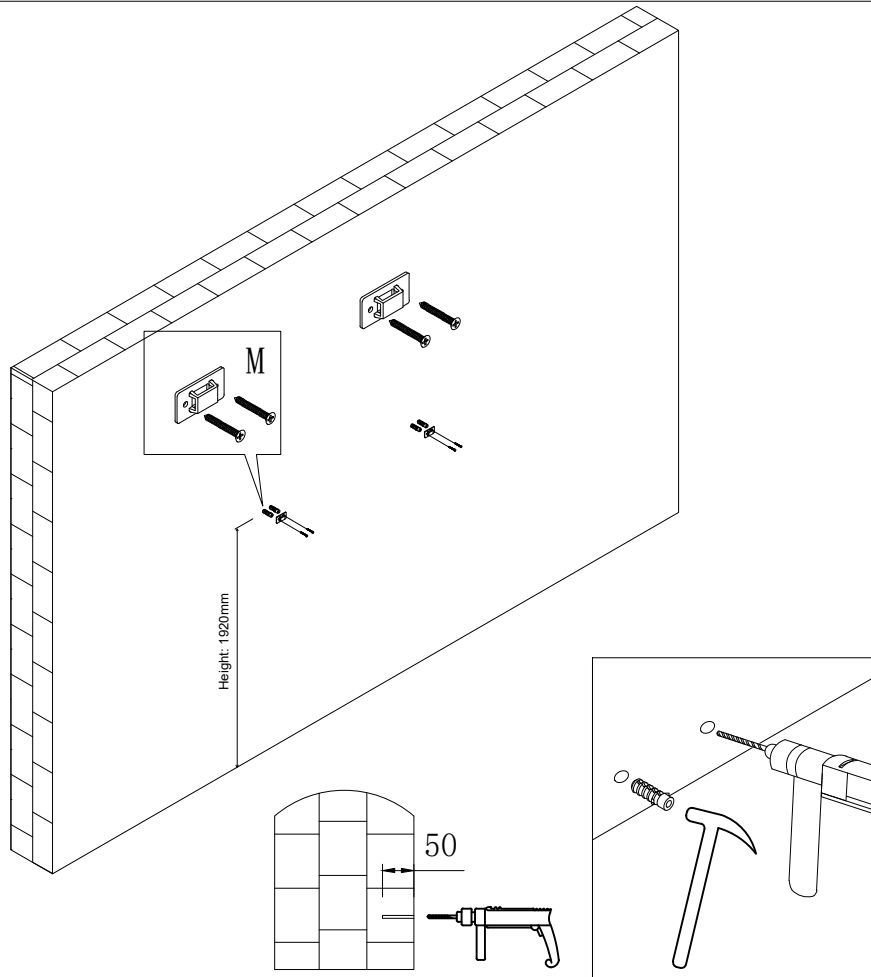
No. F
Quantity:4 Pcs
Screw
4*14mm



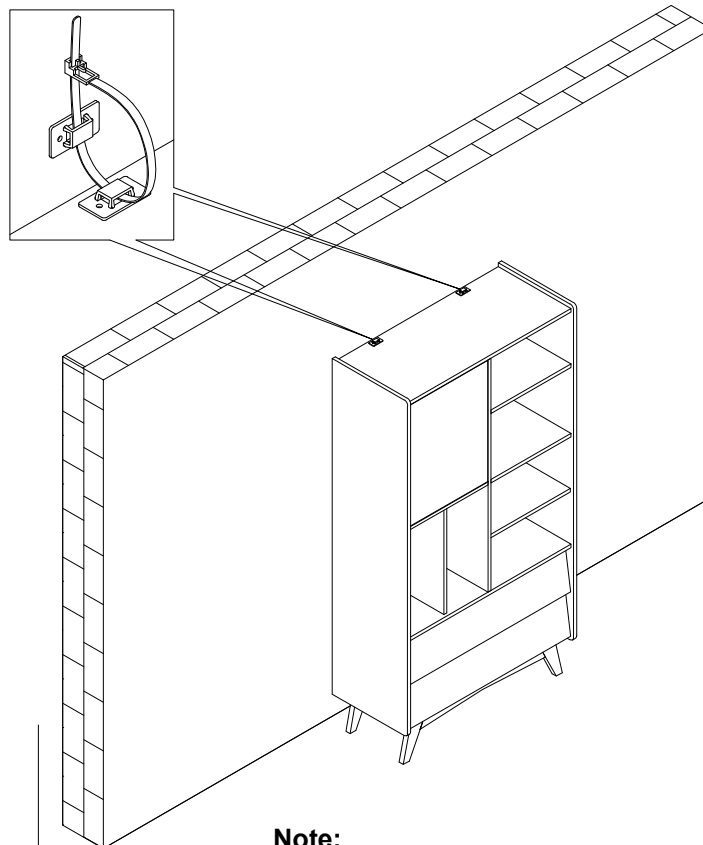
No. O
Quantity:4 Pcs
Screw
4*12mm



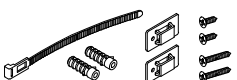
STEP 21



STEP 22



No. M
Quantity: 2 Set
Anti-falling Parts



Note:

Please lift up the furniture by two people when moving is needed. Dragging may cause the legs failure.