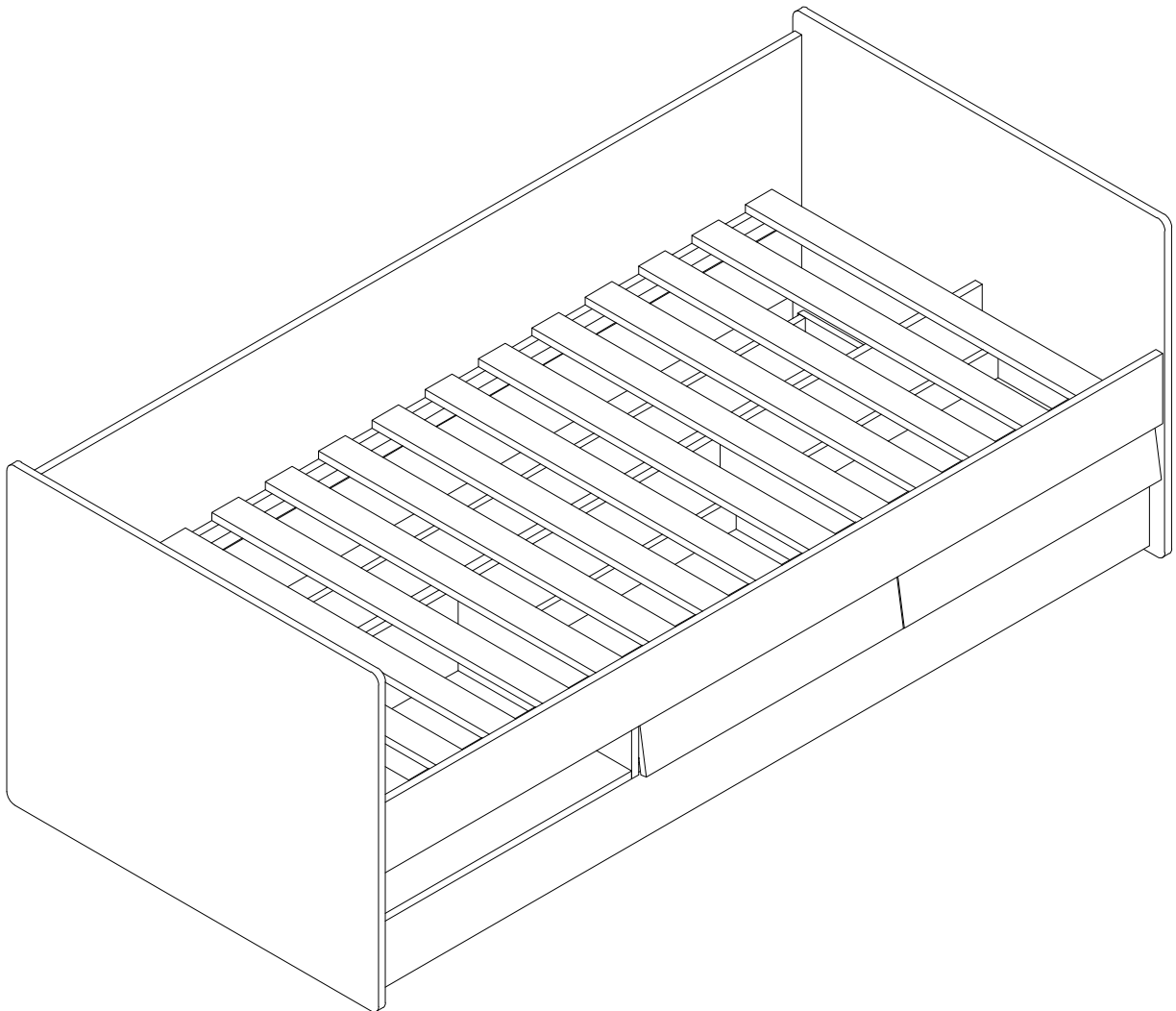




Assembly Instructions

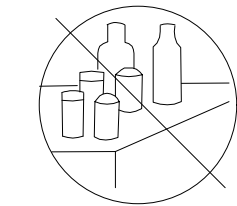
Item Code: 22KDS004-910
Description: Kaia 2 in 1 Daybed



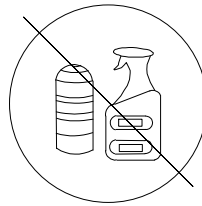
Important Tips and Maintenance



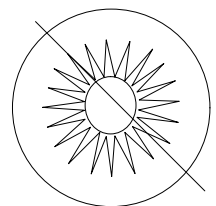
1. Keep children and animals away from working area as smaller parts may cause choking if swallowed.



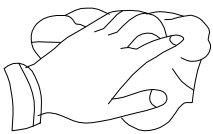
2. Never place liquids or anything damp upon furniture as it will mark. Ensure a coaster or running is beneath.



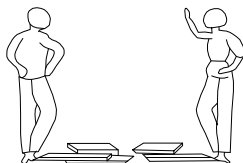
3. Never use ammonia based cleaning products as it will damage the finish.



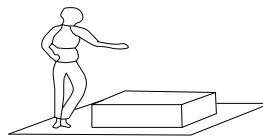
4. To avoid fading, keep furniture out of direct sunlight.



5. Use a soft or damp cloth (dry cloth) when wiping or cleaning surfaces.



6. Two person are required.



7. Lay a soft matt down to protect the furniture piece before and during assembly.

So your relationship is strong. But is it flat-pack furniture strong? Unless you're an aerospace engineer, assembling furniture can be slightly stressful. We recommend meditating quietly, pouring yourself a herbal tea (or slightly less herbal wine) and tackling things one step at a time. If you feel a passive aggressive remark coming on, try a compliment instead. E.g. "You're so good looking"

This 21-step assembly should take around 2.5 hours with an Allen Key - or 1.5 hours with an electric drill. Godspeed.

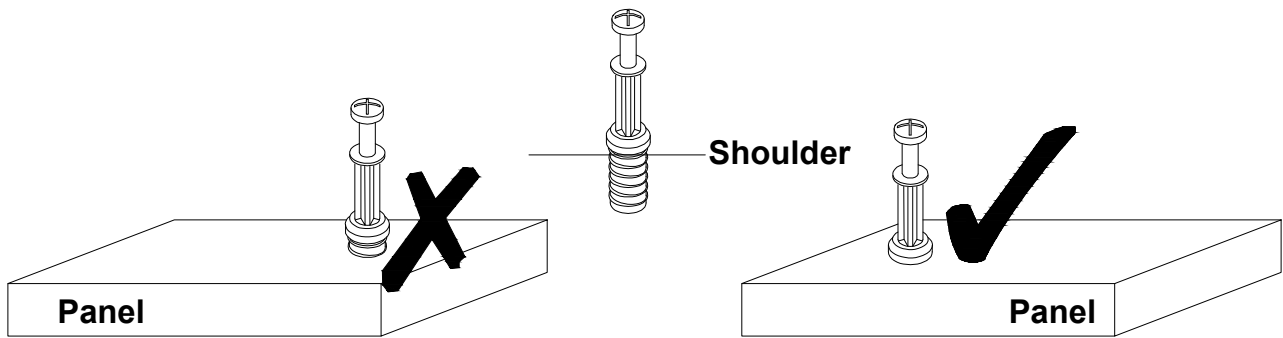
Designed for everyday

Before Assembly

Tips Before Your Start:

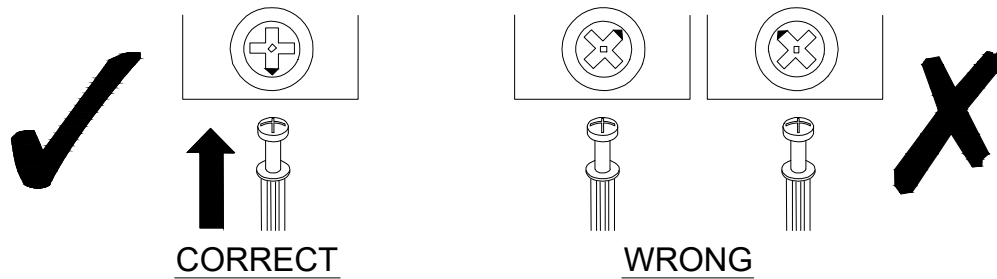
- Remove all wrapping material, including staples & packing straps before you start to assemble.
- DO NOT tighten all screws and bolts until completely assembled.
- Keep all hardware parts out of reach of children.

QUICKFIT



Tighten quickfit until shoulder is flush with panel. Do not overtighten or undertighten.

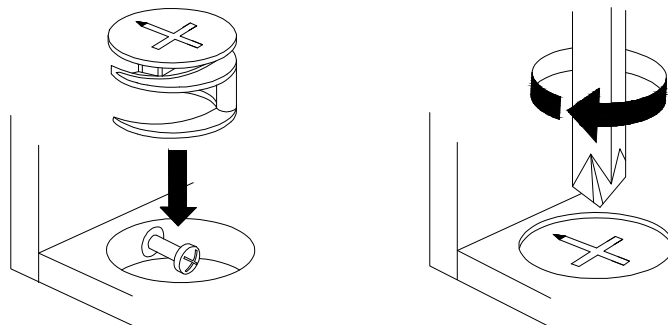
CAM LOCK



When fitting cam lock, ensure starting position is correct before you insert connecting quickfit.

Quickfit head should be in the centre of the cam lock when the two panels are joined.

Cam lock should be inserted before quickfit.



Turn cam lock clockwise to tighten.

Component Hardware

Please check you have all the fittings part or tools are listed in below.

No. A
Quantity:52Pcs
Cam Lock Dowel
8*28mm



No. B
Quantity:32Pcs
Dowel
8*30mm



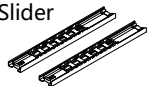
No. C
Quantity:52Pcs
Cam
φ15



No. D
Quantity:4Pcs
Screw
M6*50



No. E
Quantity:2Sets
Drawer Slider
14"



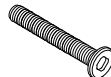
No. F
Quantity:40Pcs
Screw
4*14mm



No. G
Quantity:14Pcs
Screw
M6*30mm



No. H
Quantity:10Pcs
Screw
M6*60mm



No. I
Quantity:10Pcs
Screw Nut
Ø10



No. J
Quantity:4Pcs
Screw
M6*25mm



No. K
Quantity:40 Pcs
Screw
4*30mm



No. L
Quantity:8Pc
Wheel

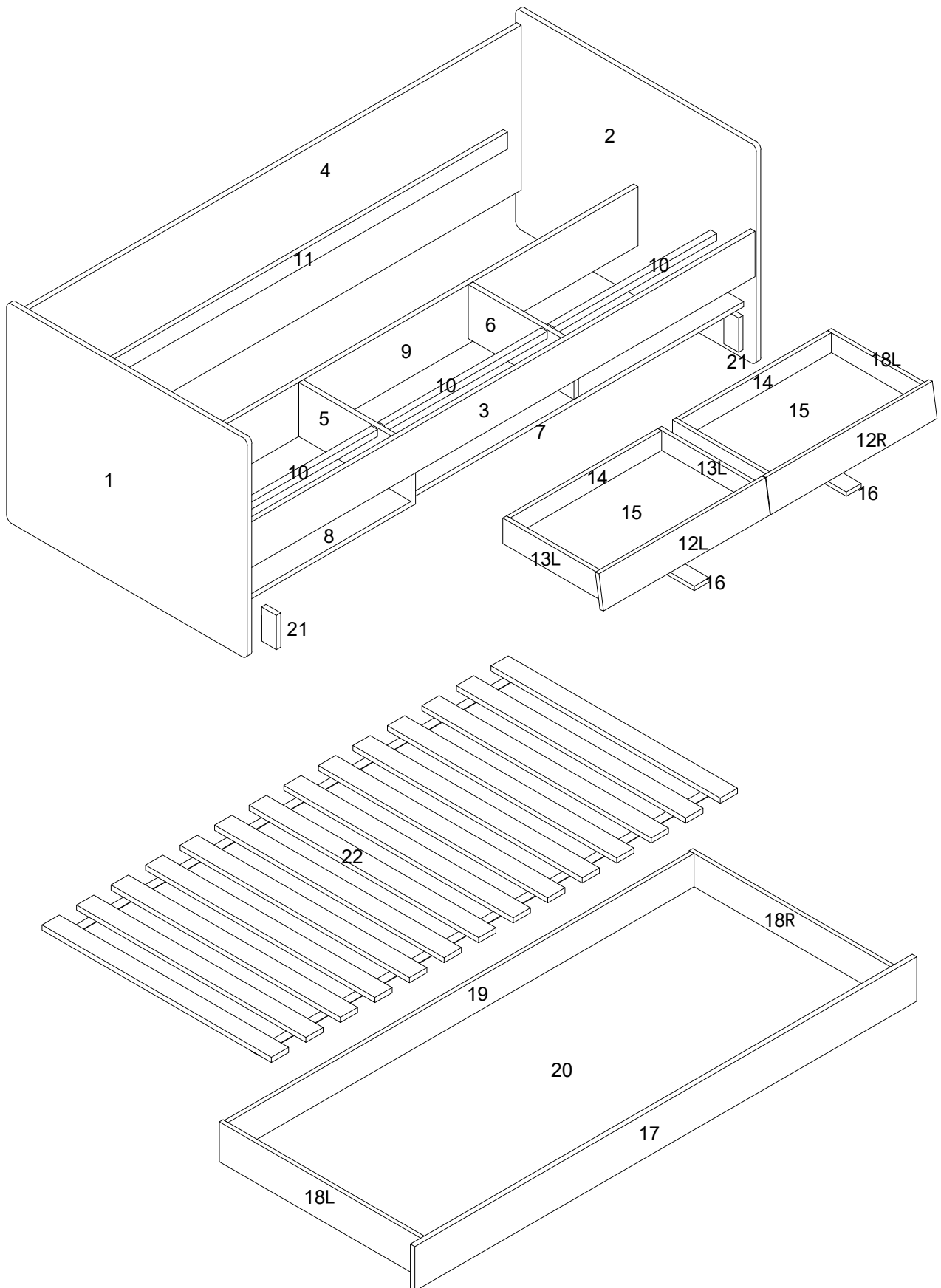


No. M
Quantity:1Pc
Allen Key
4#

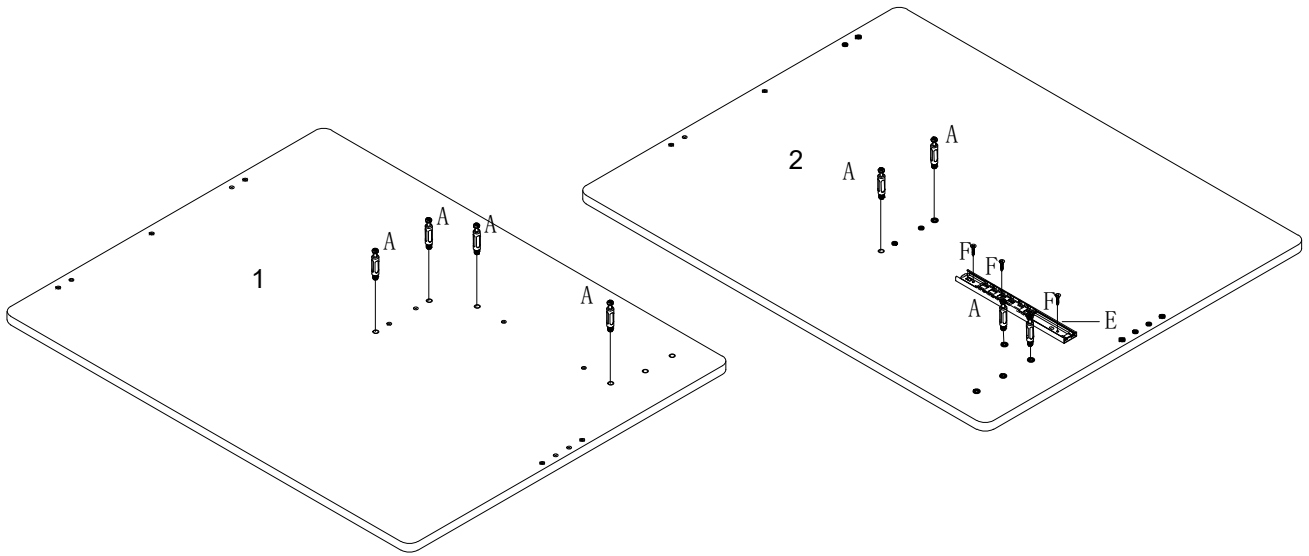


Component Panels & Part List


Please check you have all the panels are listed below.




STEP 1



No. A
Quantity: 8 Pcs
Cam Lock Dowel
8*28 mm



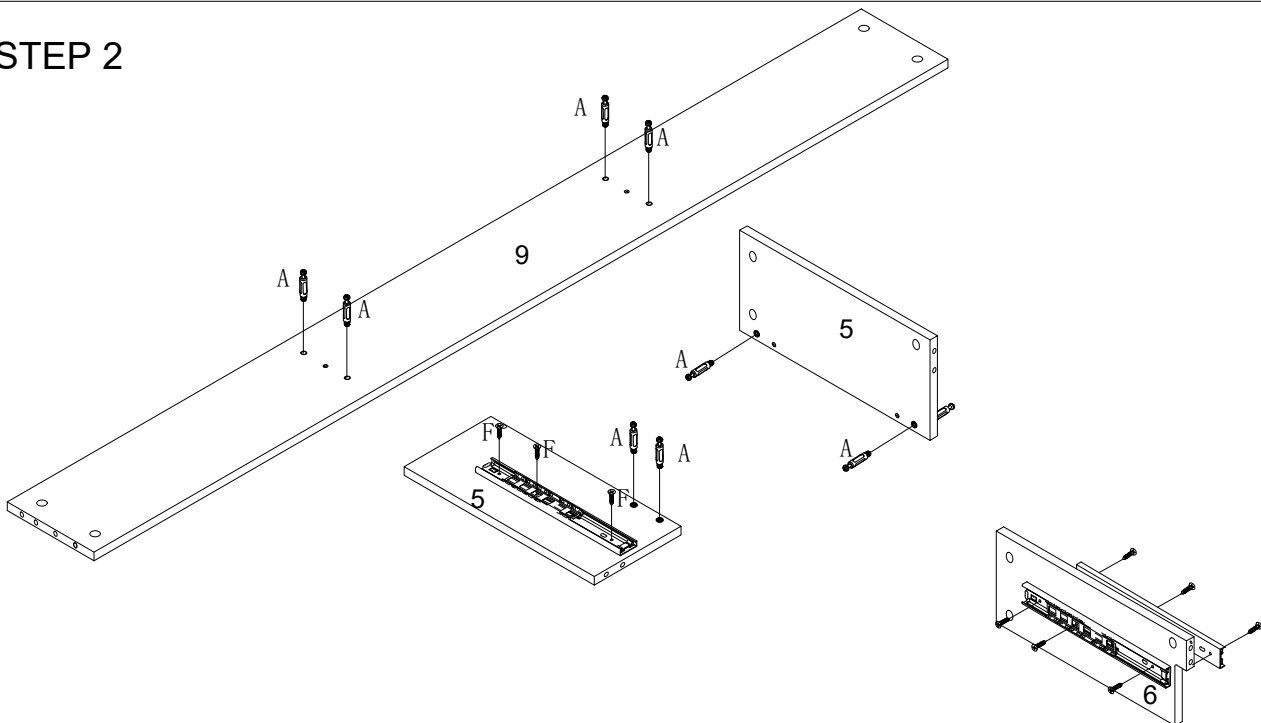
No. F
Quantity: 3 Pcs
Screw
4*14mm




No. E
Quantity: 1 Pcs
Drawer Slider
12"




STEP 2



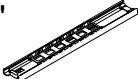
No. A
Quantity: 8 Pcs
Cam Lock Dowel
8*28 mm



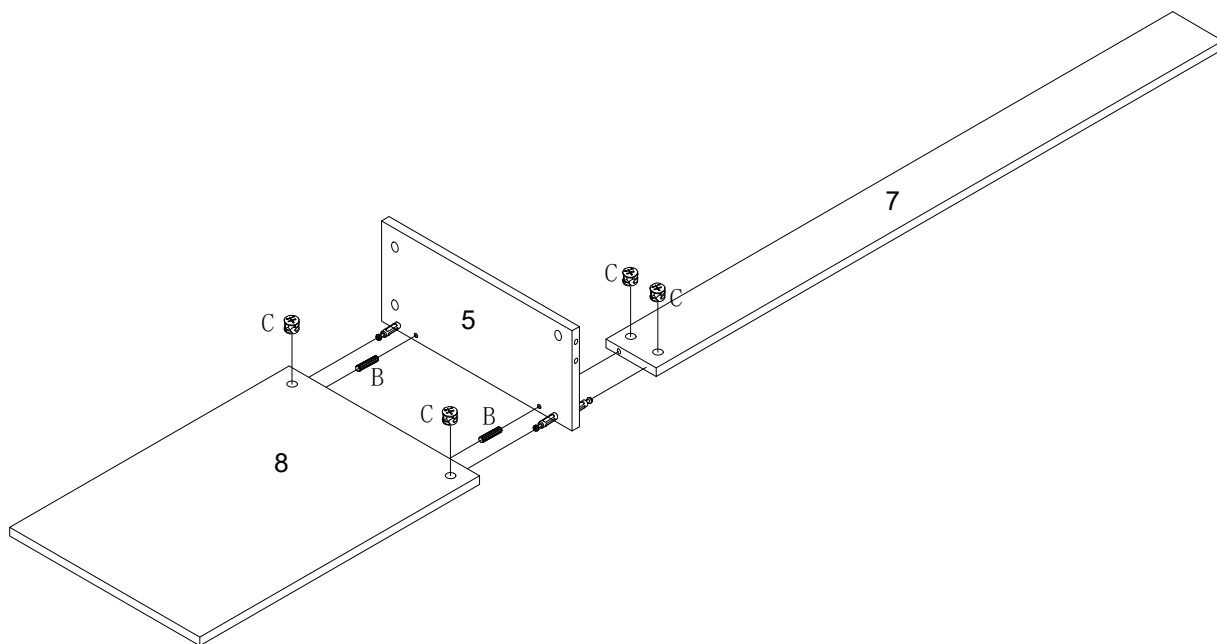
No. F
Quantity: 9 Pcs
Screw
4*14mm



No. E
Quantity: 3 Pcs
Drawer Slider
12"



STEP 3



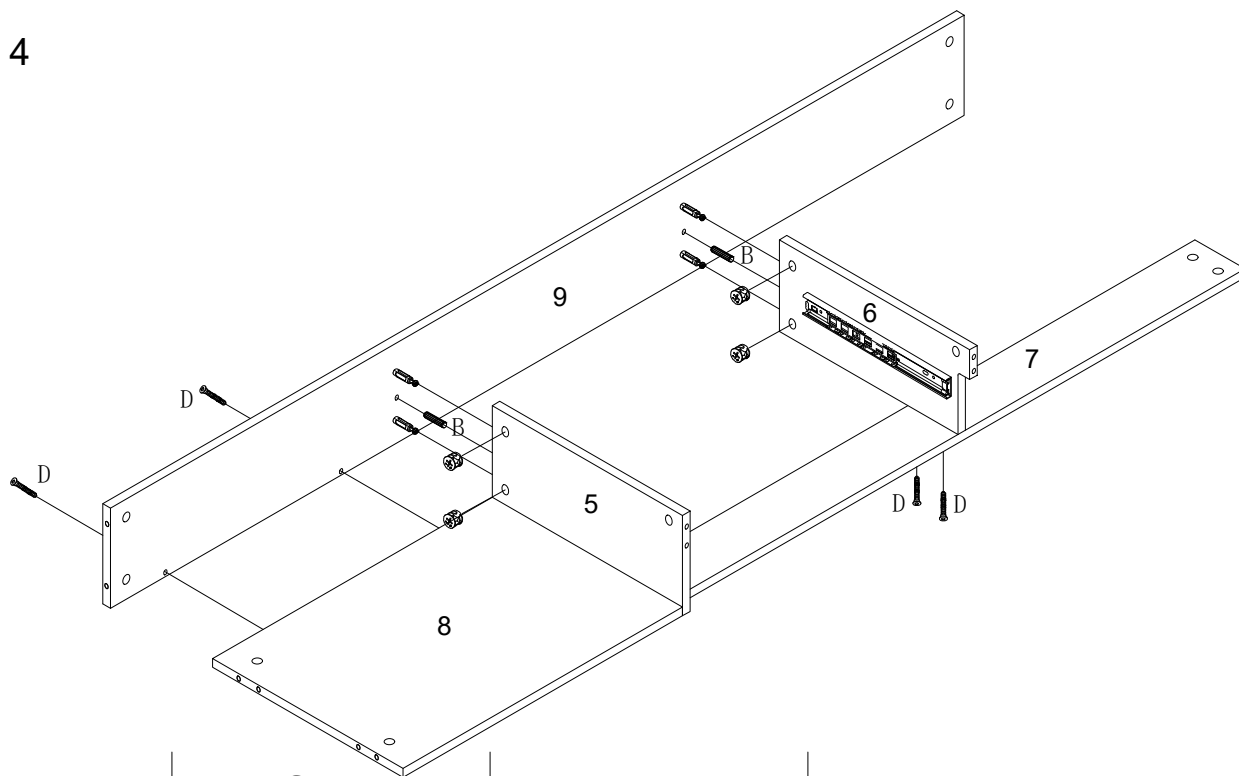
No. B
Quantity: 2 Pcs
Dowel
8*30mm



No. C
Quantity: 4 Pcs
Cam Lock
φ15mm



STEP 4



No. B
Quantity: 2 Pcs
Dowel
8*30mm



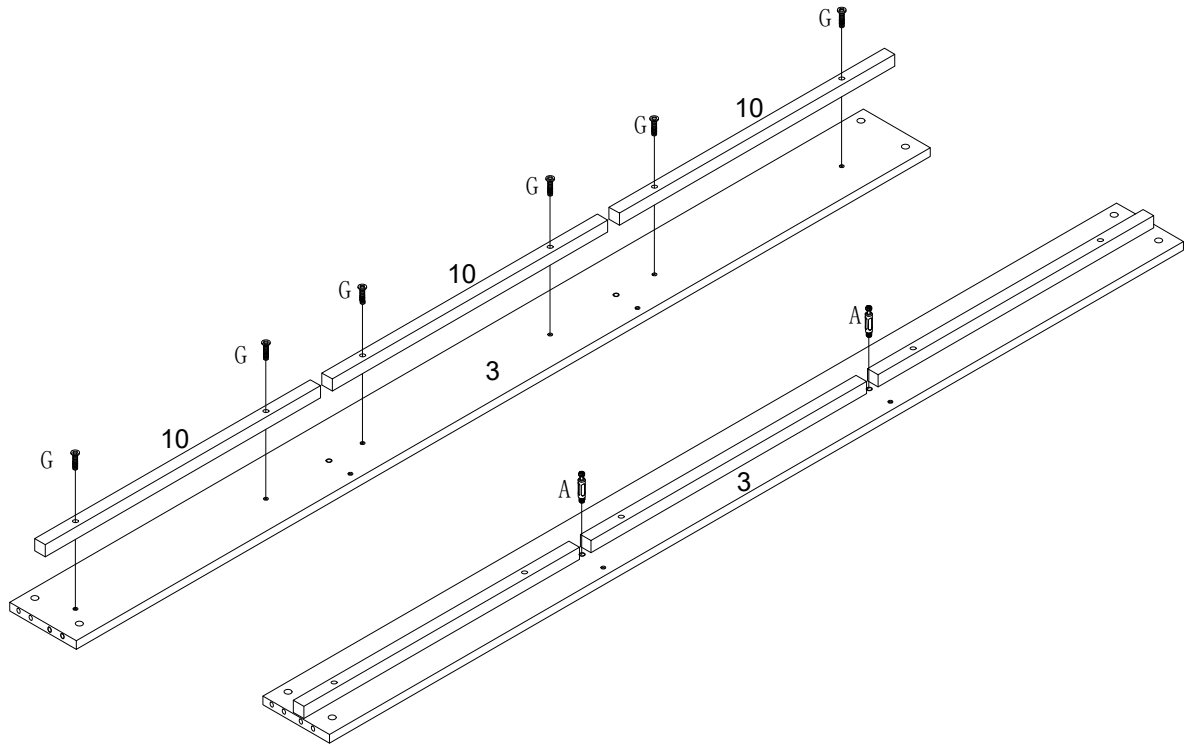
No. C
Quantity: 4 Pcs
Cam Lock
φ15mm



No. D
Quantity: 4 Pcs
Screw
M6*50mm



STEP 5



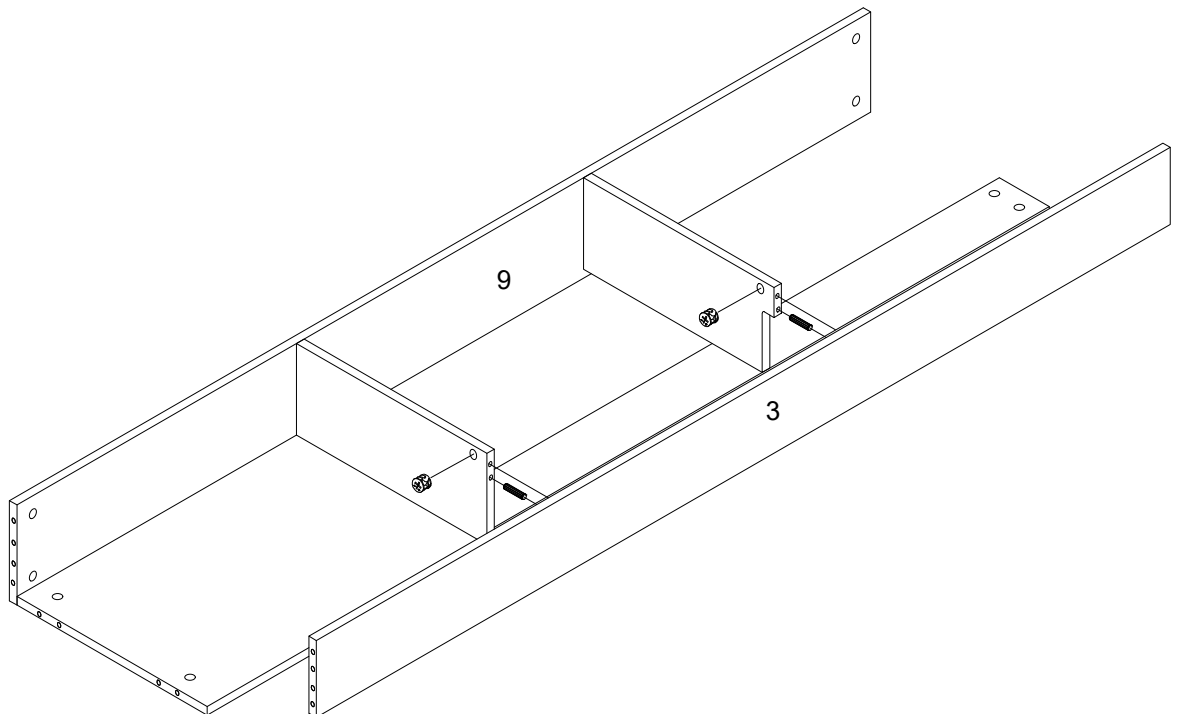
No. A
Quantity: 2 Pcs
Cam Lock Dowel
8*28 mm



No. G
Quantity: 6 Pcs
Screw
6*30mm



STEP 6



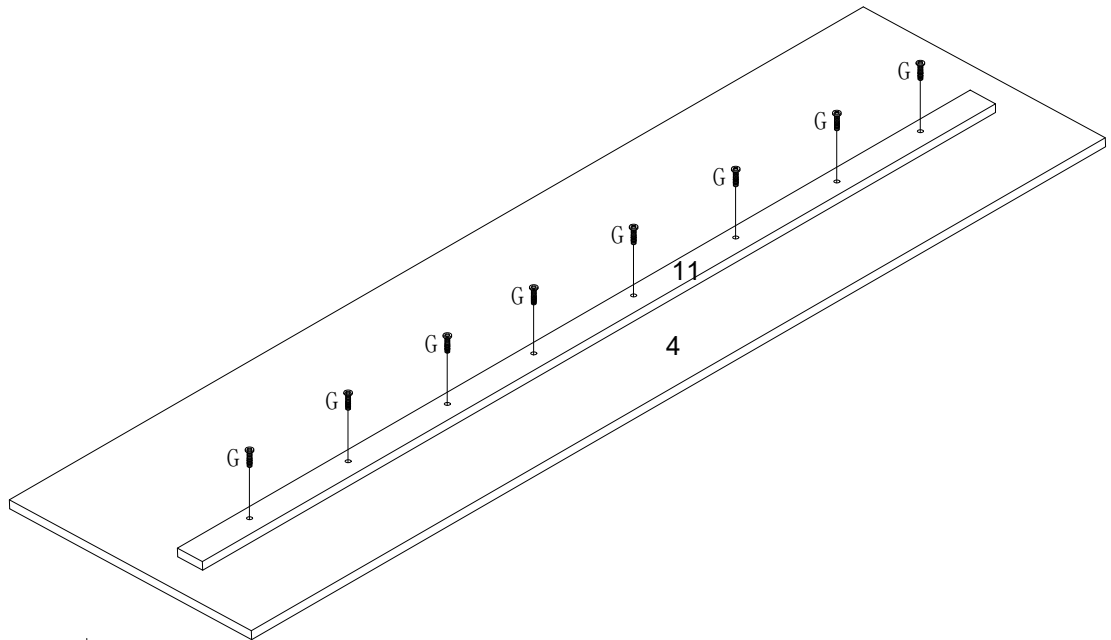
No. B
Quantity: 2 Pcs
Dowel
8*30mm



No. C
Quantity: 2 Pcs
Cam Lock
φ15mm



STEP 7

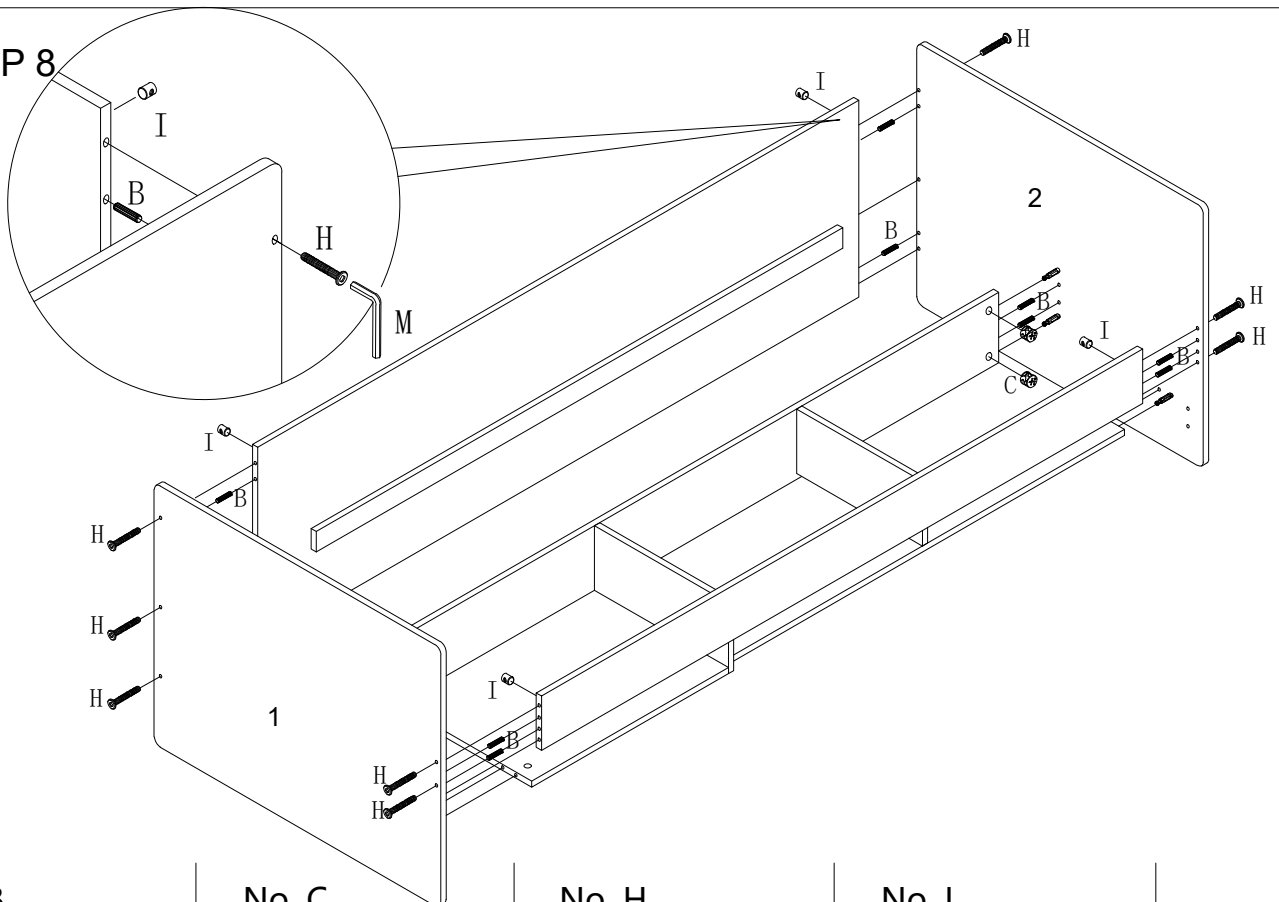


No. G
Quantity: 8 Pcs

Screw
6*30mm



STEP 8



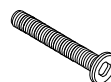
No. B
Quantity: 14 Pcs
Dowel
8*30mm



No. C
Quantity: 8 Pcs
Cam Lock
φ15mm



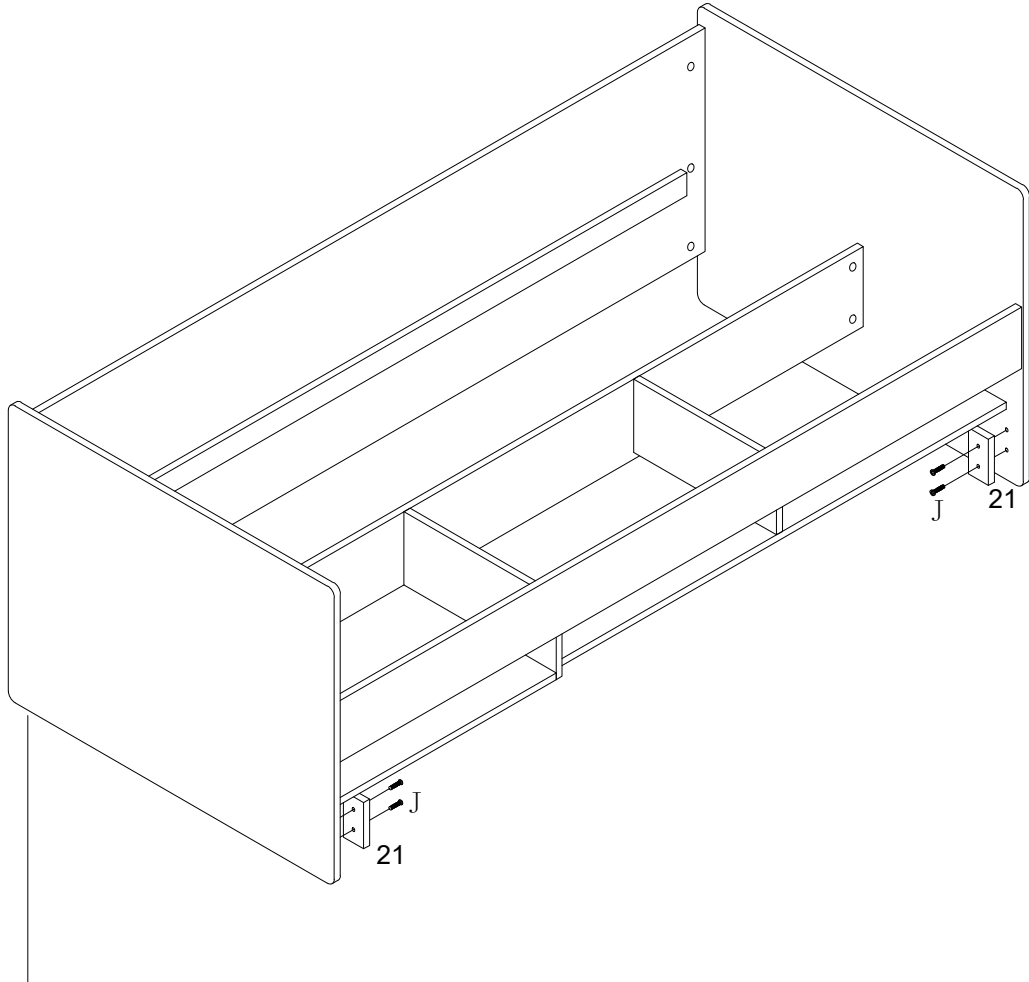
No. H
Quantity: 10 Pcs
Screw
6*60mm



No. I
Quantity: 10 Pcs
Screw Nut
Ø10



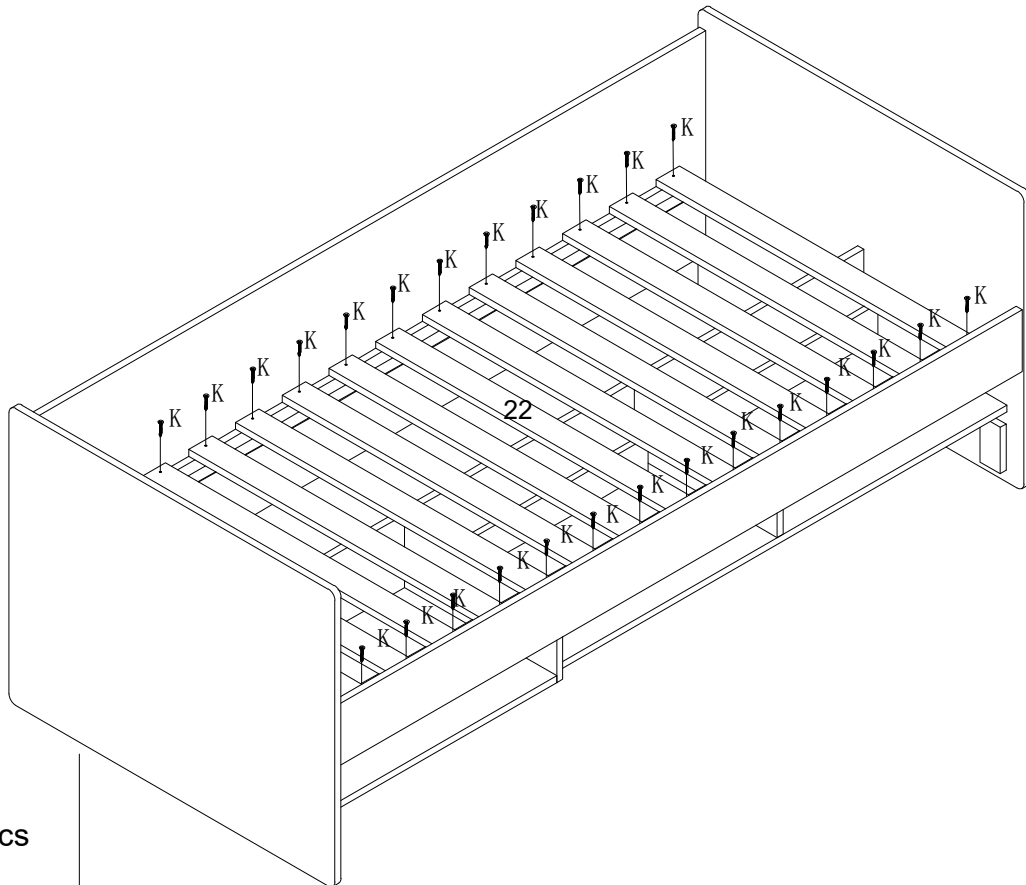
STEP 9



No. J
Quantity: 4 Pcs
Screw
6*25mm



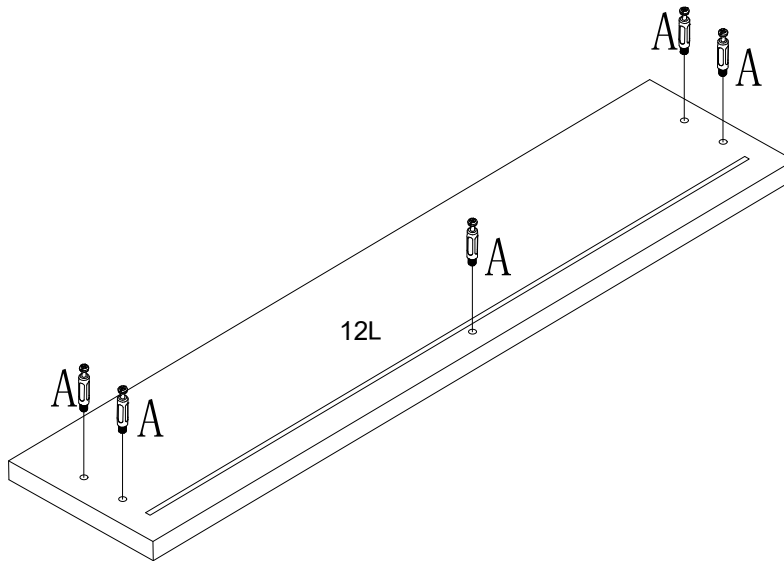
STEP 10



No. K
Quantity: 28 Pcs
Screw
4*30mm



STEP 11

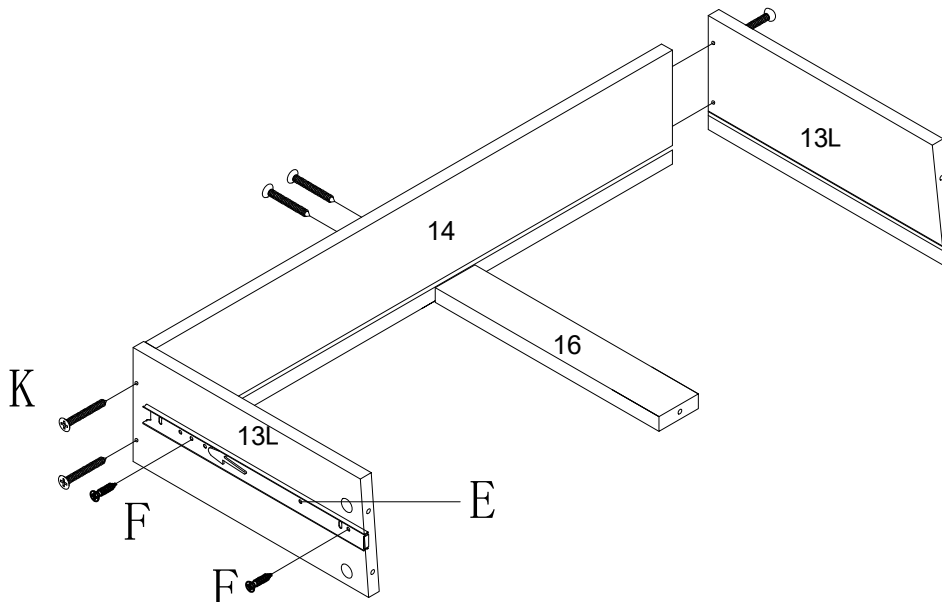


x2

No. A
Quantity: 10 Pcs
Cam Lock Dowel
8*28 mm



STEP 12



x2

No. F
Quantity: 12 Pcs
Screw
4*14mm



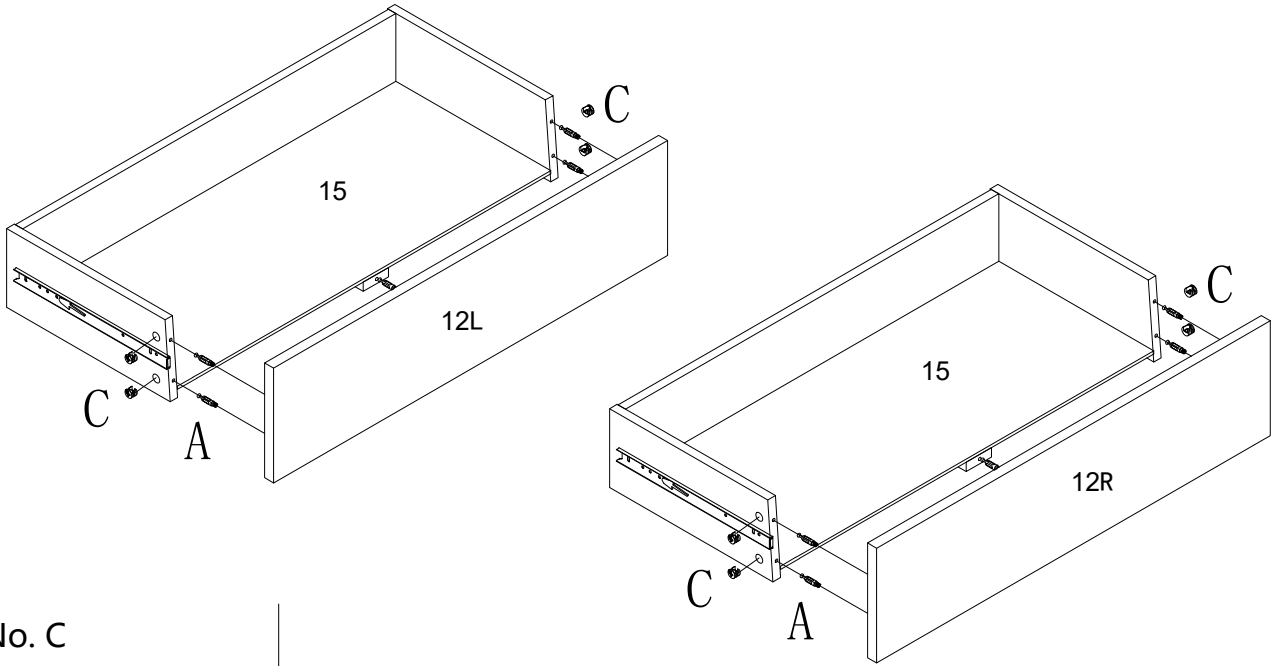
No. E
Quantity: 2 Sets
Drawer Slider
14"



No. K
Quantity: 12 Pcs
Screw
4*30mm



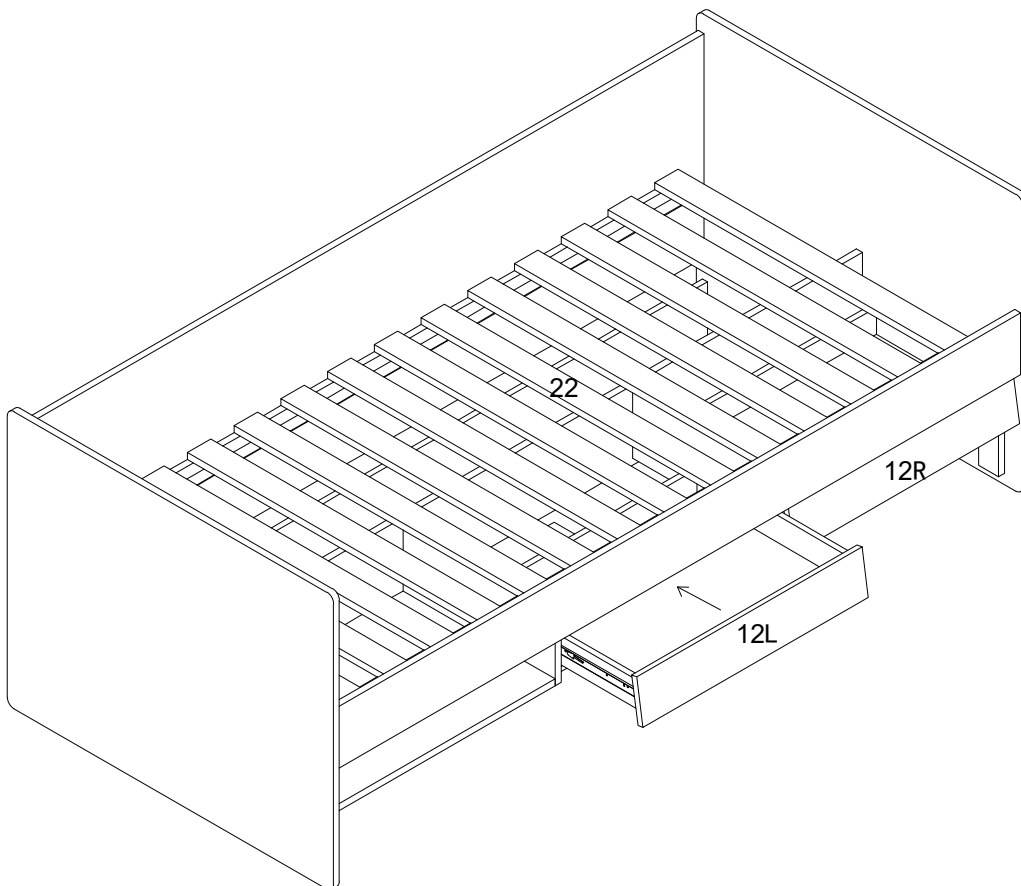
STEP 13



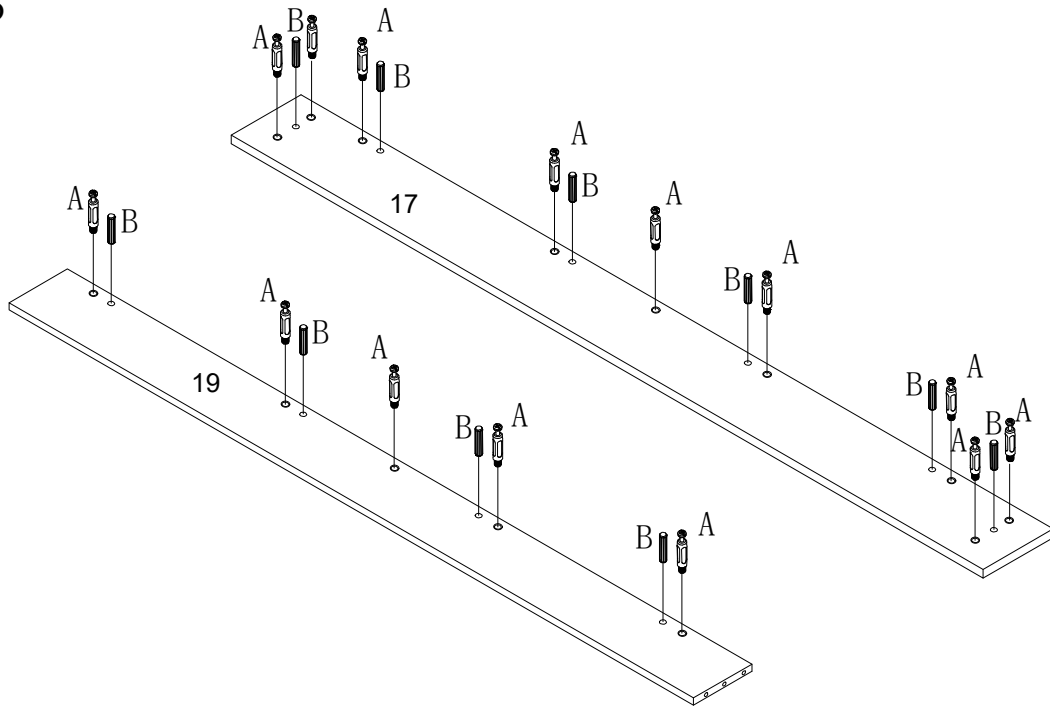
No. C
Quantity: 10 Pcs
Cam Lock



STEP 14



STEP 15



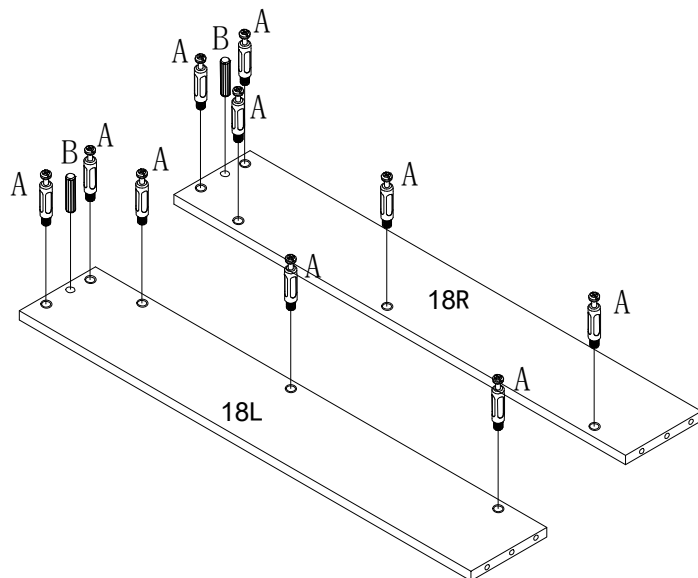
No. A
Quantity: 14 Pcs
Cam Lock Dowel
8*28mm



No. B
Quantity: 10 Pcs
Dowel
8*30mm



STEP 16



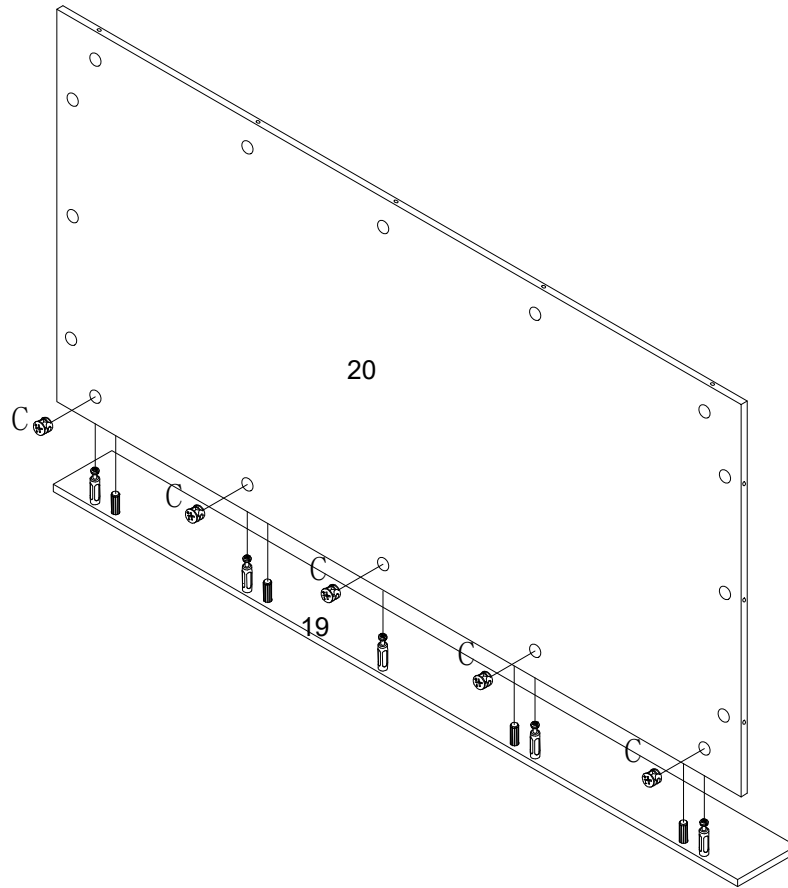
No. A
Quantity: 10 Pcs
Cam Lock Dowel
8*28mm



No. B
Quantity: 2 Pcs
Dowel
8*30mm



STEP 17



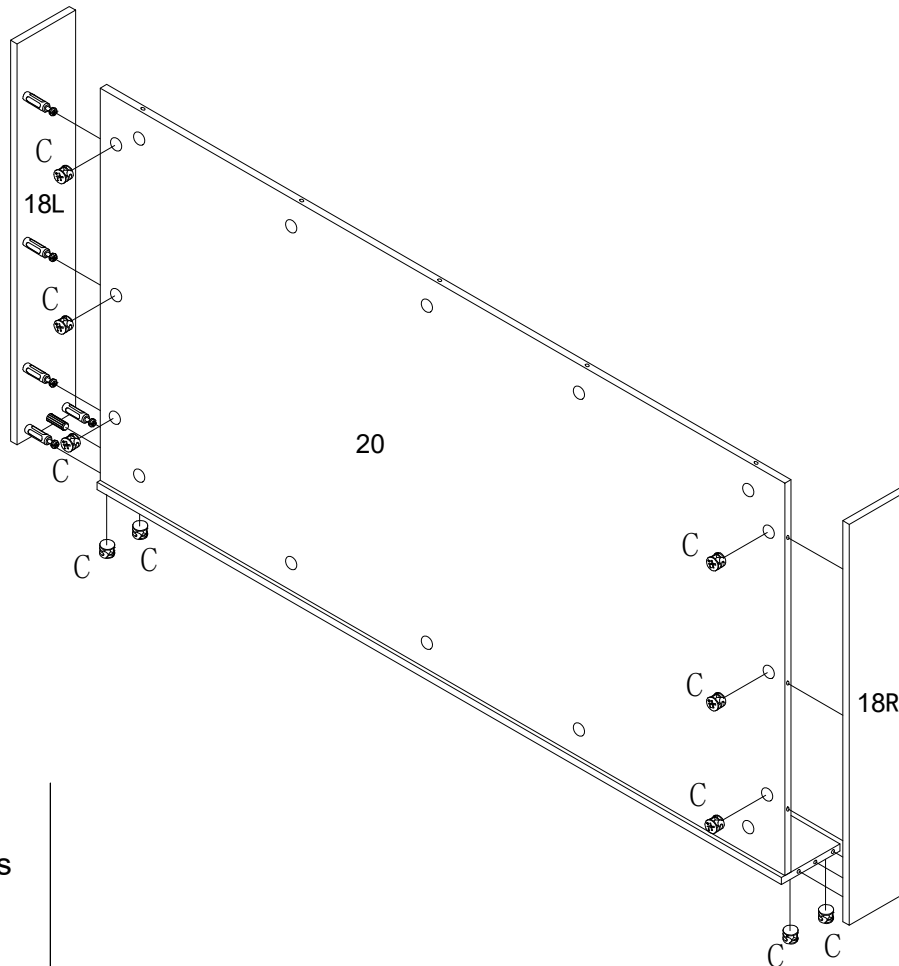
No.C

Quantity: 5 Pcs

Cam Lock



STEP 18



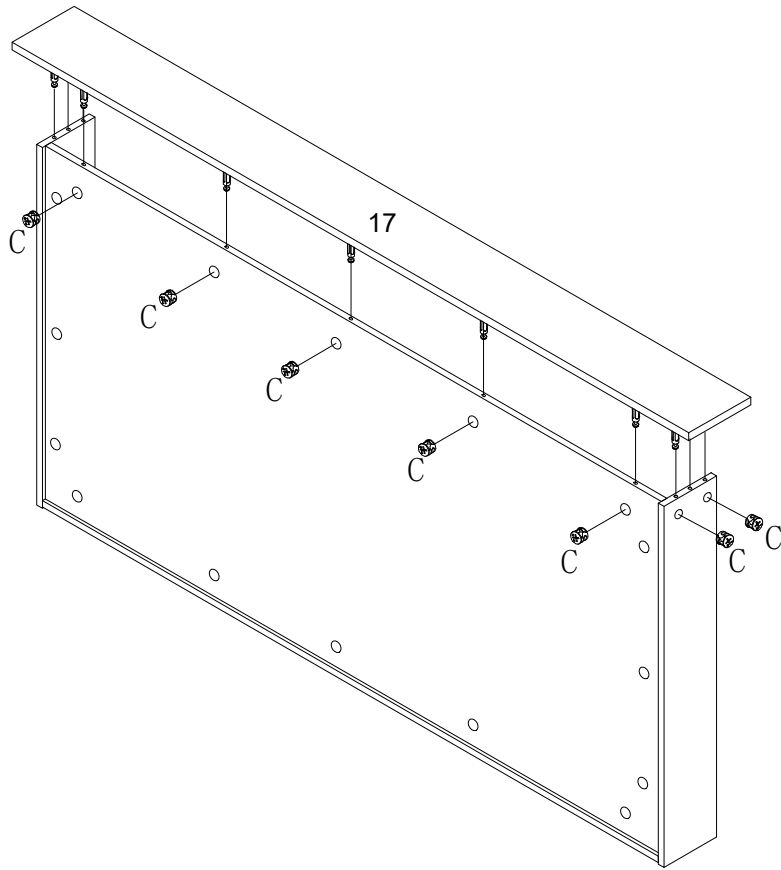
No.C

Quantity: 10 Pcs

Cam Lock



STEP 19



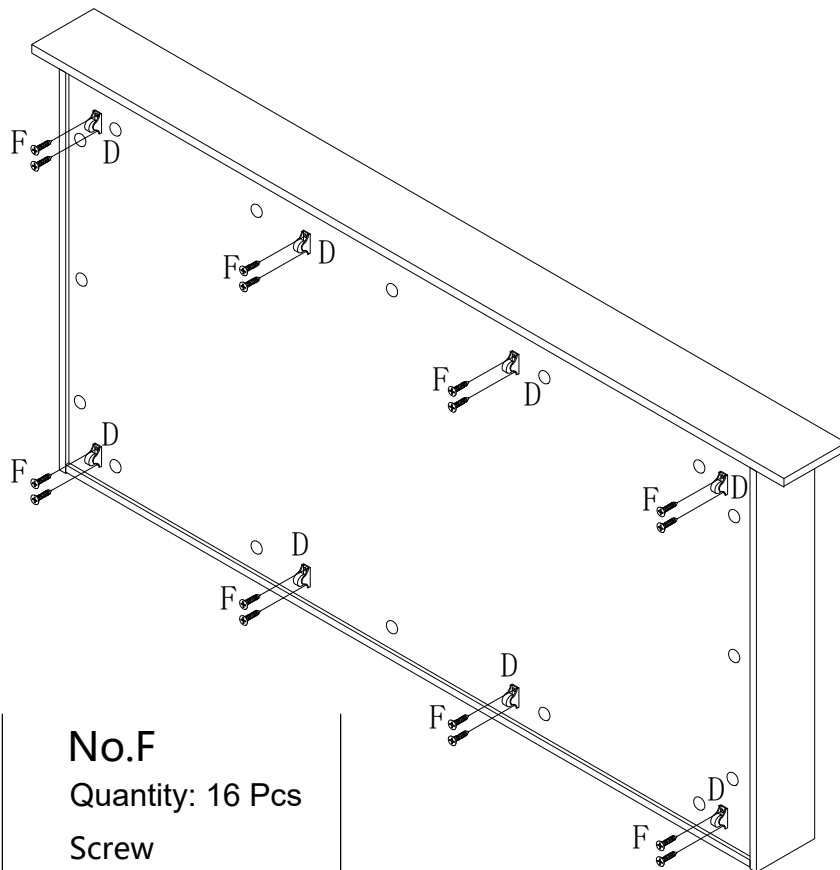
No.C

Quantity: 9 Pcs

Cam Lock



STEP 20



No.L

Quantity: 8 Pcs

Wheel



No.F

Quantity: 16 Pcs

Screw

4*14 mm



STEP 21

