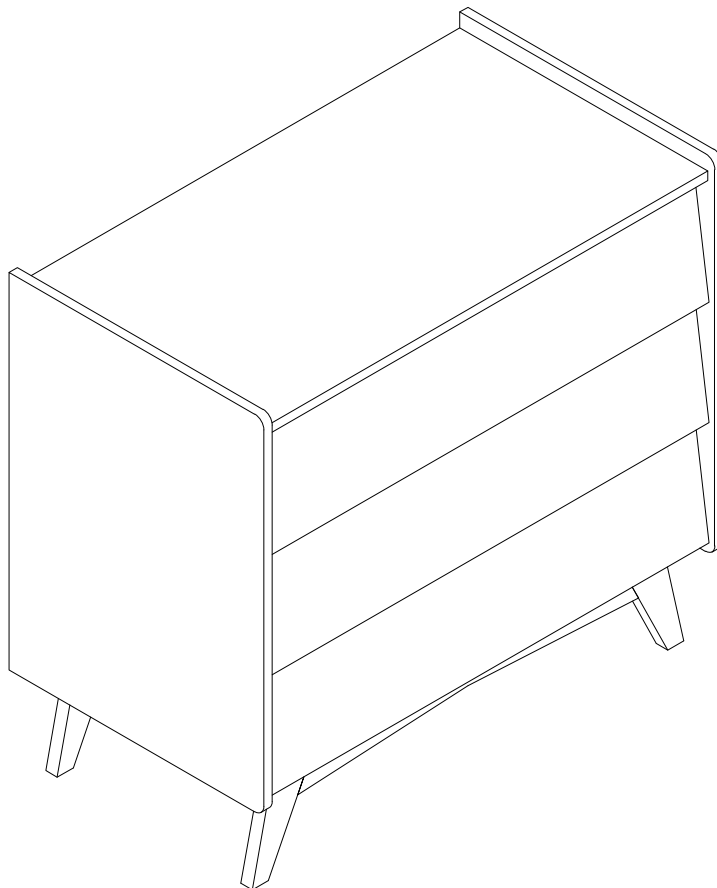




Assembly Instructions

Item Code: 22KDS006

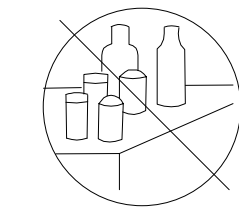
Description: Kaia Chest of 3 Drawers



Important Tips and Maintenance



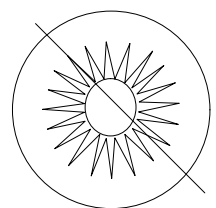
1. Keep children and animals away from working area as smaller parts may cause choking if swallowed.



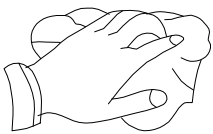
2. Never place liquids or anything damp upon furniture as it will mark. Ensure a coaster or running is beneath.



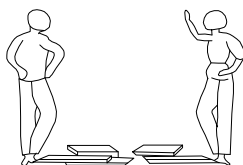
3. Never use ammonia based cleaning products as it will damage the finish.



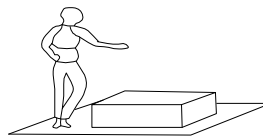
4. To avoid fading, keep furniture out of direct sunlight.



5. Use a soft or damp cloth (dry cloth) when wiping or cleaning surfaces.



6. Two person are required.



7. Lay a soft matt down to protect the furniture piece before and during assembly.

So your relationship is strong. But is it flat-pack furniture strong? Unless you're an aerospace engineer, assembling furniture can be slightly stressful. We recommend meditating quietly, pouring yourself a herbal tea (or slightly less herbal wine) and tackling things one step at a time. If you feel a passive aggressive remark coming on, try a compliment instead. E.g. "You're so good looking"

This 16-step assembly should take around 1.5 hours with an Allen Key - or 60 minutes with an electric drill. Godspeed.

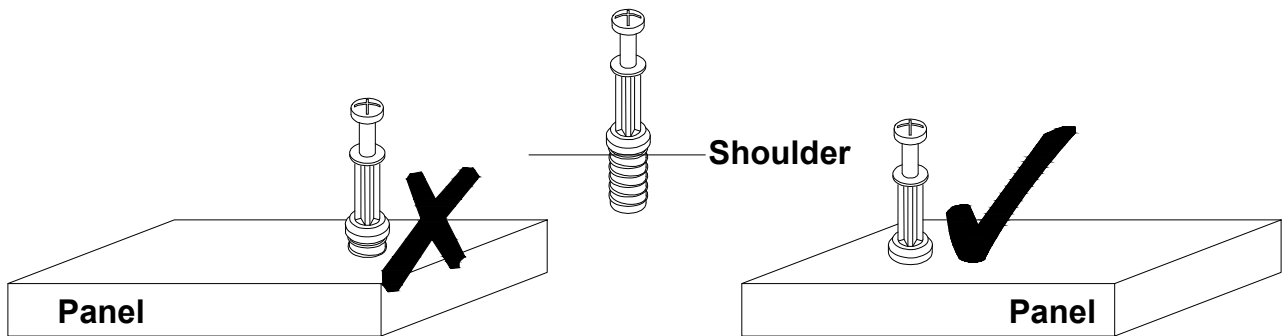
Designed for everyday

Before Assembly

Tips Before Your Start:

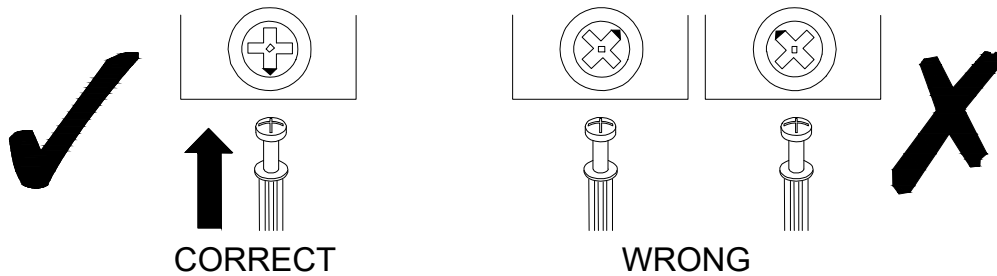
- Remove all wrapping material, including staples & packing straps before you start to assemble.
- DO NOT tighten all screws and bolts until completely assembled.
- Keep all hardware parts out of reach of children.

QUICKFIT



Tighten quickfit until shoulder is flush with panel. Do not overtighten or undertighten.

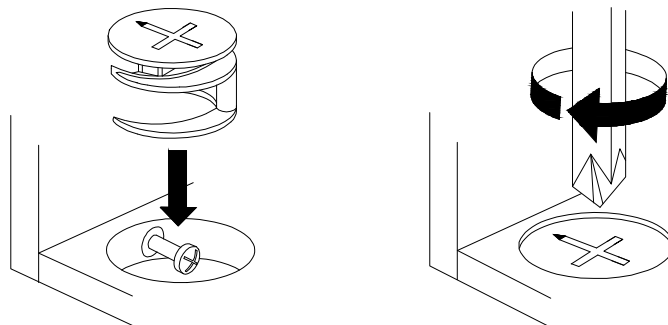
CAM LOCK



When fitting cam lock, ensure starting position is correct before you insert connecting quickfit.

Quickfit head should be in the centre of the cam lock when the two panels are joined.

Cam lock should be inserted before quickfit.



Turn cam lock clockwise to tighten.

Component Hardware

Please check you have all the fittings part or tools are listed in below.

No. A
Quantity:45Pcs
Cam Lock Dowel
8*28mm



No. B
Quantity:14Pcs
Dowel
8*30mm



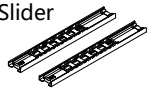
No. C
Quantity:45Pcs
Cam
φ15



No. D
Quantity:6Pcs
Screw
M6*50mm



No. E
Quantity:3Sets
Drawer Slider
12"



No. F
Quantity:44Pcs
Screw
4*14mm



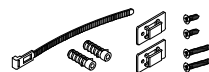
No. G
Quantity:4 Pcs
Screw
4*45mm



No. H
Quantity:2Pcs
L Shape Connector
M8*35mm



No. I
Quantity:2Sets
Anti-falling Parts



No. J
Quantity:18 Pcs
Screw
4*30mm



No. K
Quantity:1Pc
Allen Key
4#

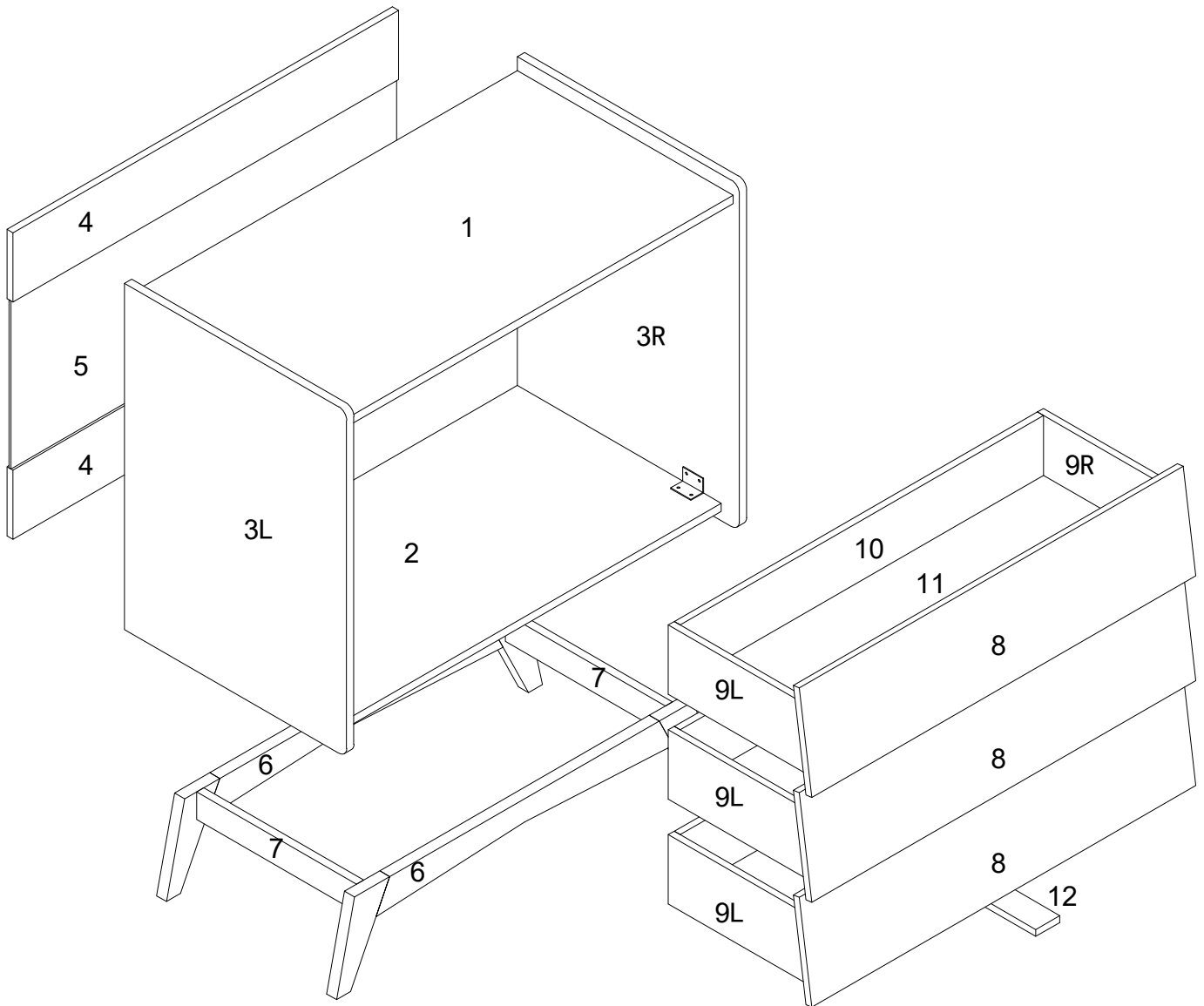


No. L
Quantity:45Pcs
Sticker

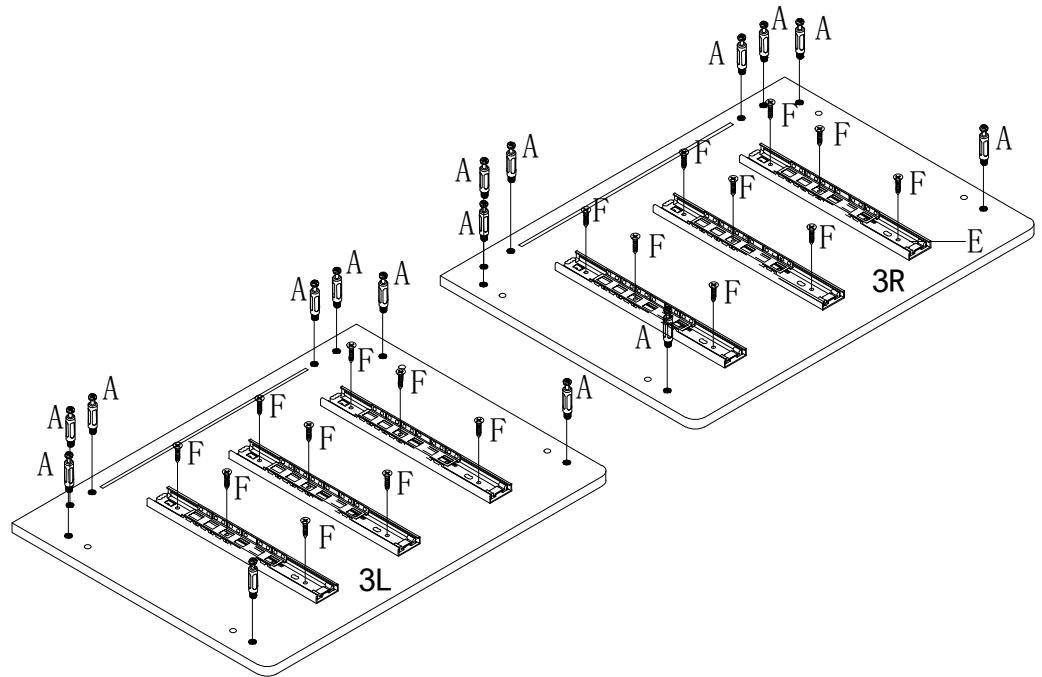


Component Panels & Part List

Please check you have all the panels are listed below.



STEP 1



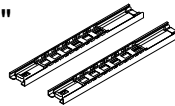
No. A
Quantity: 16 Pcs
Cam Lock Dowel
8*28 mm



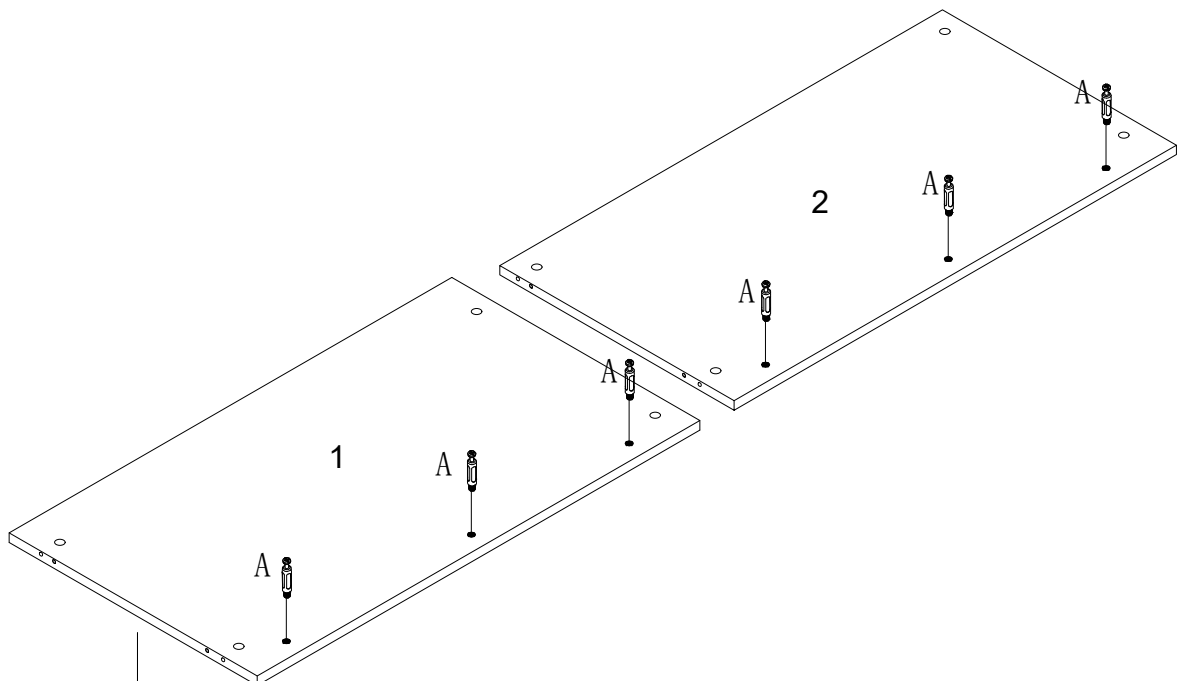
No. F
Quantity: 18 Pcs
Screw
4*14mm



No. E
Quantity: 3 Sets
Drawer Slider
12"



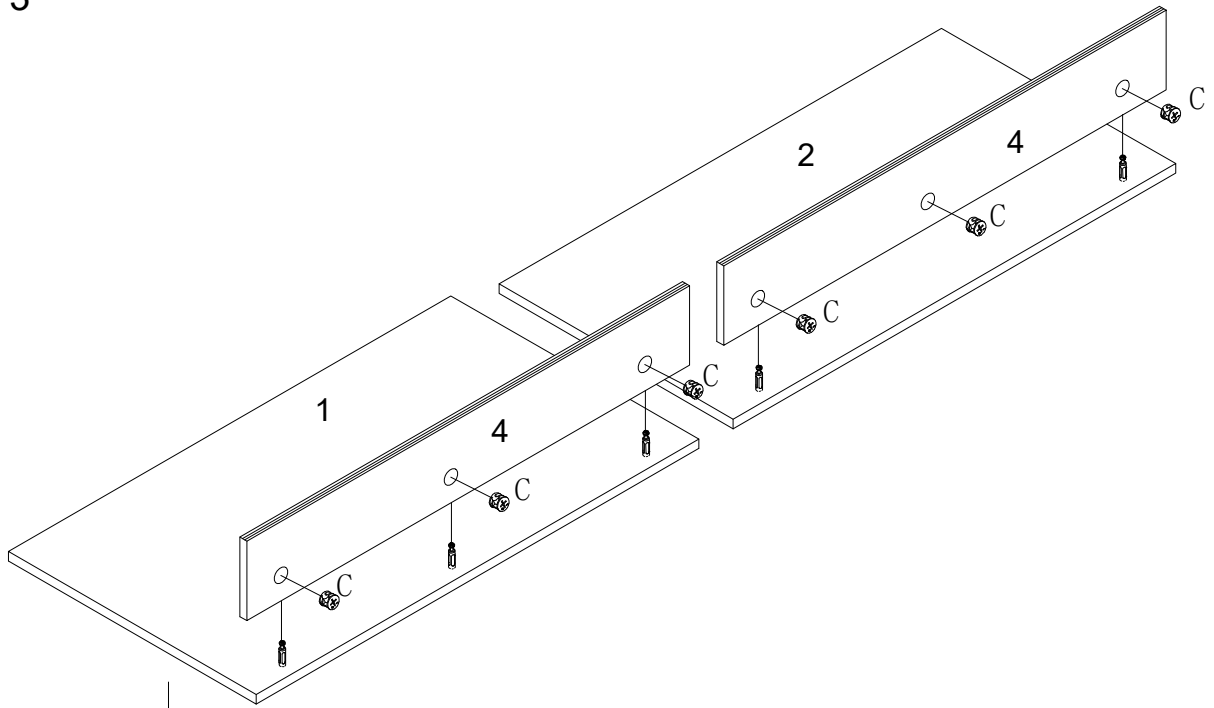
STEP 2



No. A
Quantity: 6 Pcs
Cam Lock Dowel
8*28 mm



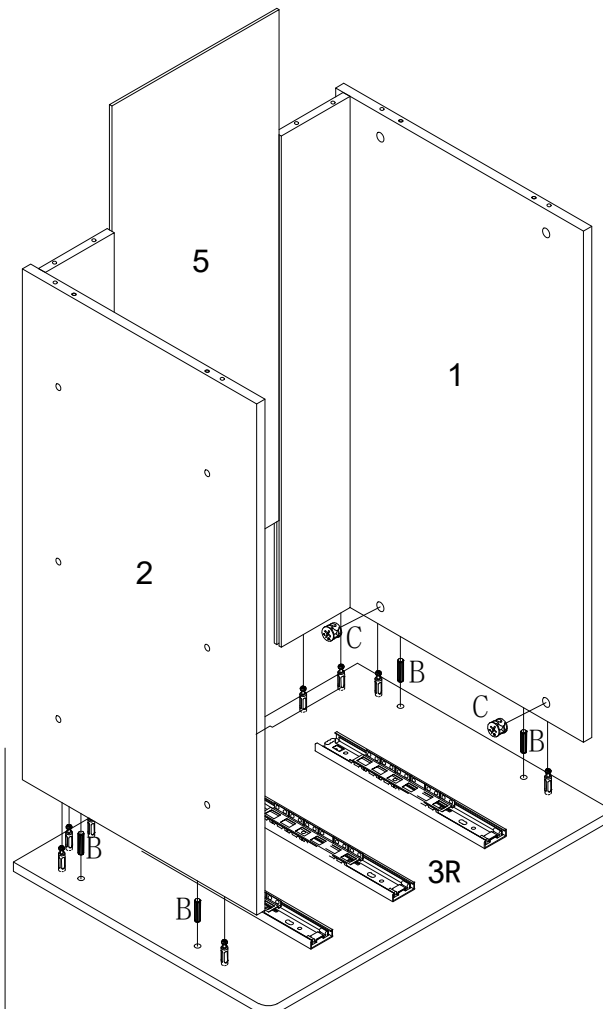
STEP 3



No. C
Quantity: 6 Pcs
Cam Lock
 $\phi 15\text{mm}$



STEP 4



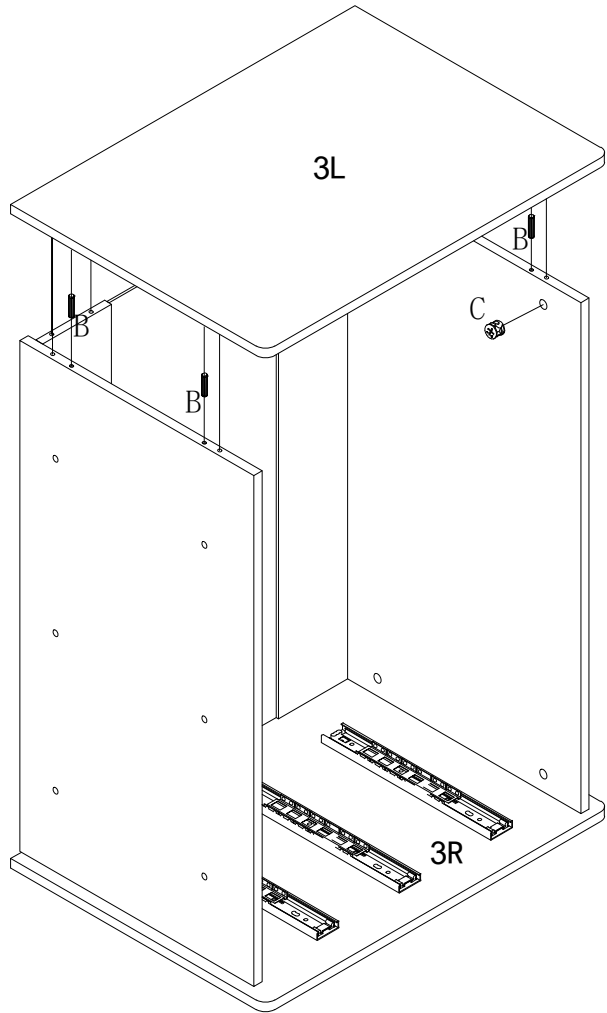
No. B
Quantity: 4 Pcs
Dowel
8*30mm



No. C
Quantity: 6 Pcs
Cam Lock
 $\phi 15\text{mm}$



STEP 5



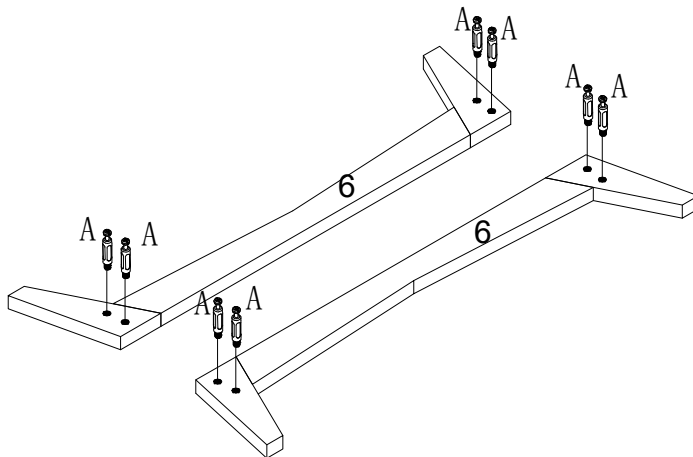
No. B
Quantity: 4 Pcs
Dowel
8*30mm



No. C
Quantity: 6 Pcs
Cam Lock
φ15mm



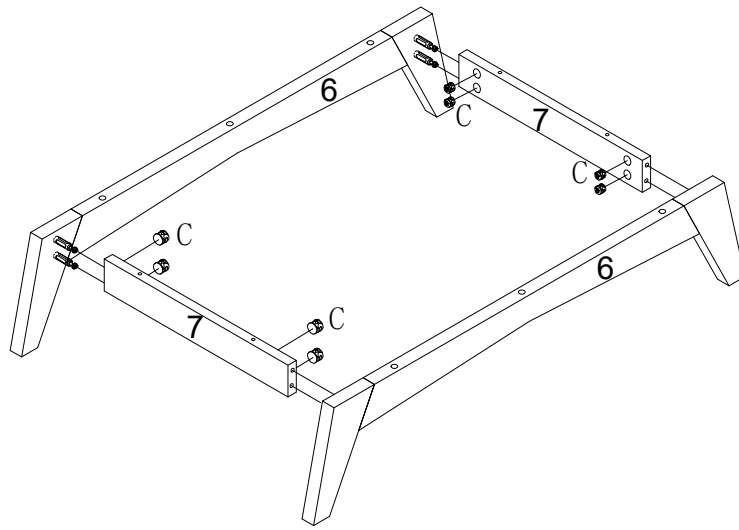
STEP 6



No. A
Quantity: 8 Pcs
Cam Lock Dowel
8*28 mm



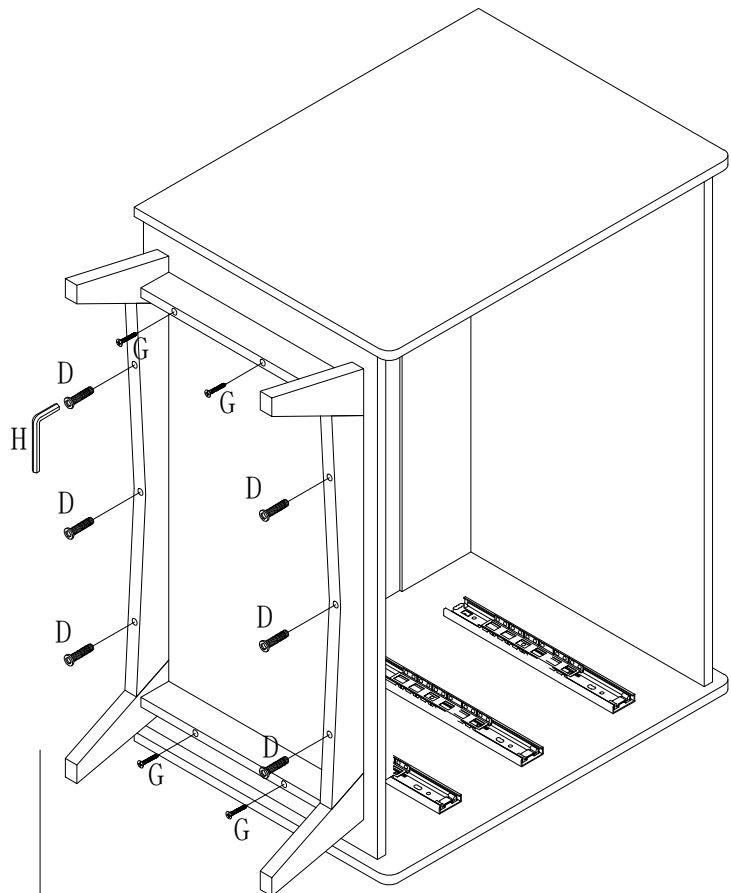
STEP 7



No. C
Quantity: 8 Pcs
Cam Lock
φ15mm



STEP 8



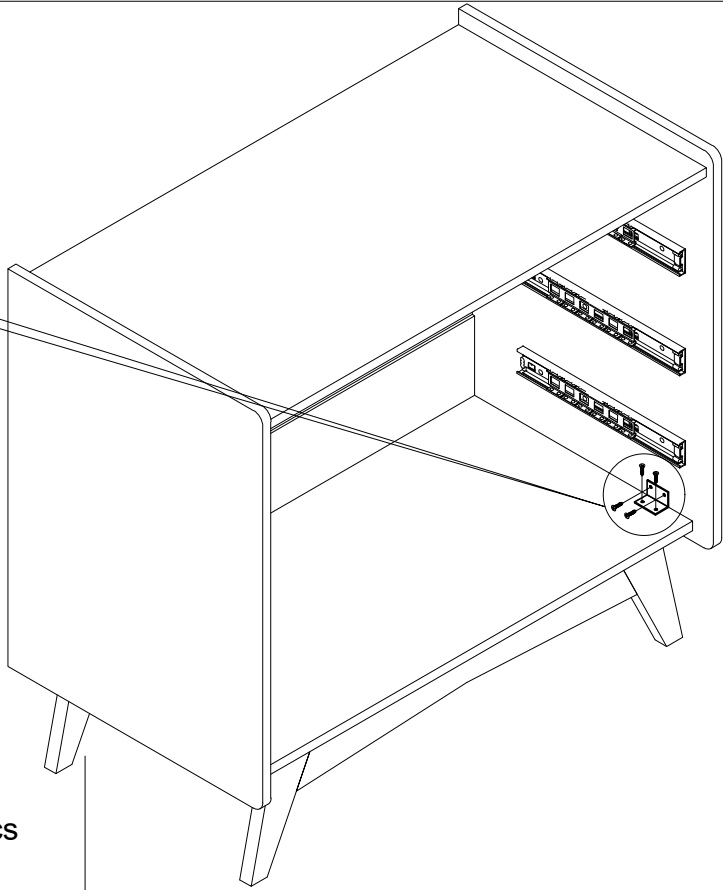
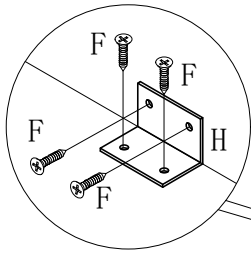
No. D
Quantity: 6 Pcs
Dowel
6*50mm



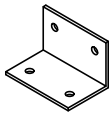
No. G
Quantity: 4 Pcs
Dowel
4*45mm



STEP 9



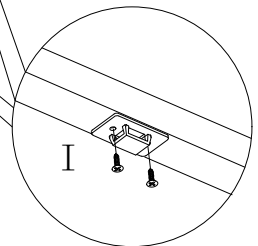
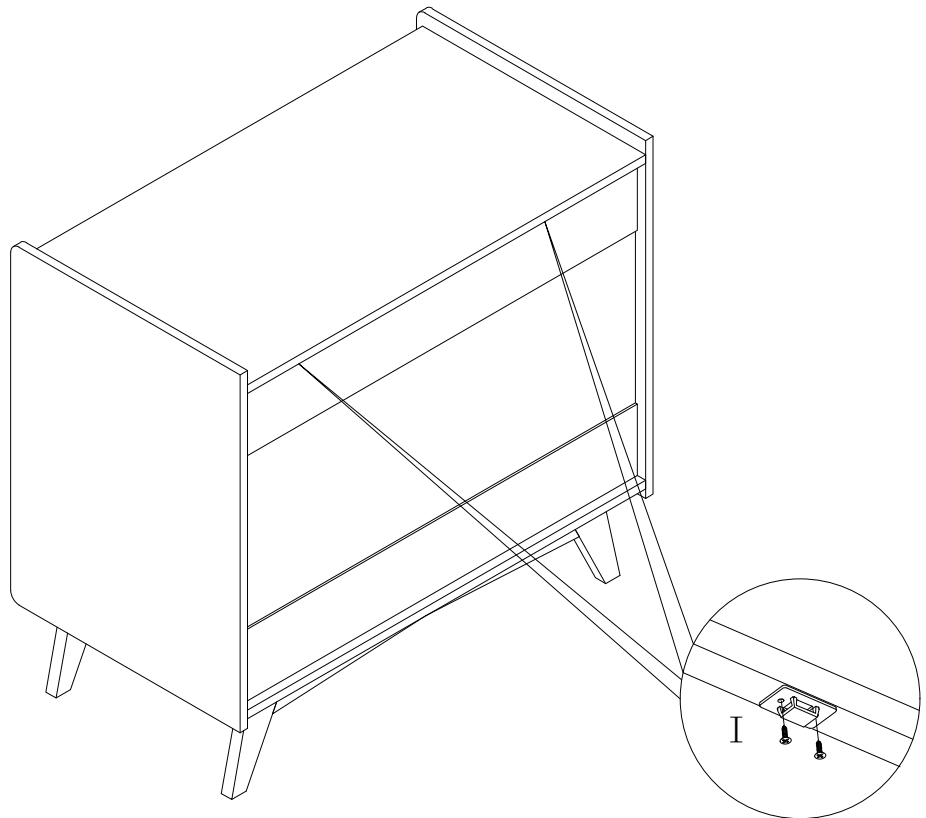
No. H
Quantity: 2 Pcs
L Shape Connector



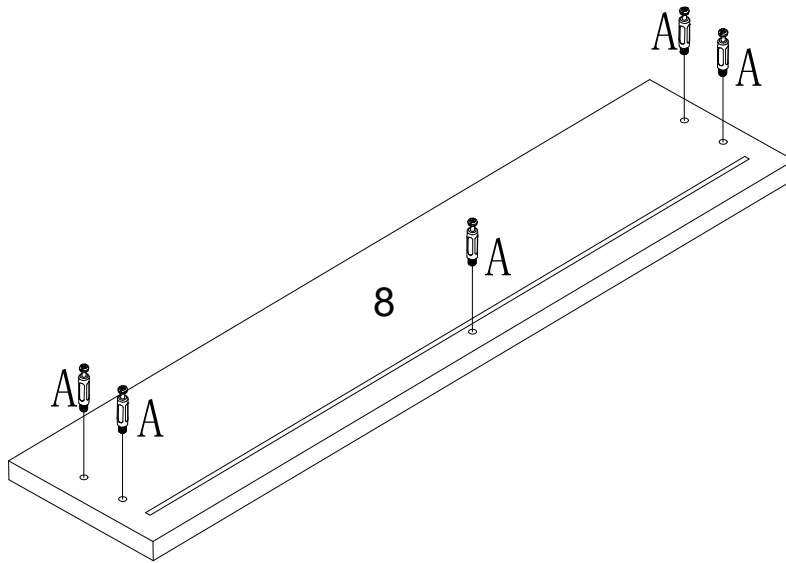
No. F
Quantity: 8 Pcs
Screw
4*14mm



STEP 10



STEP 11

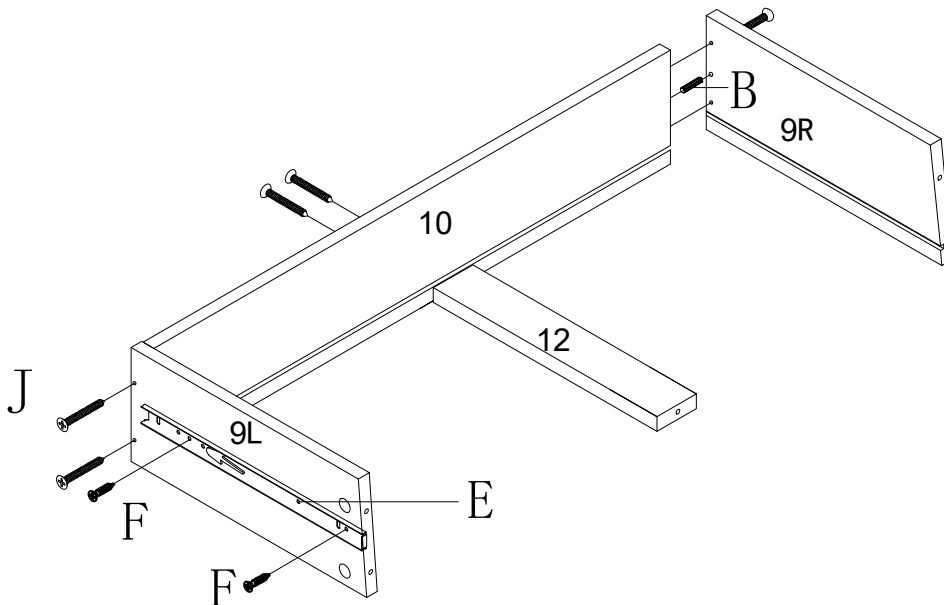


x3

No. A
Quantity: 15 Pcs
Cam Lock Dowel
8*28 mm



STEP 12



x3

No. F
Quantity: 18 Pcs
Screw
4*14mm



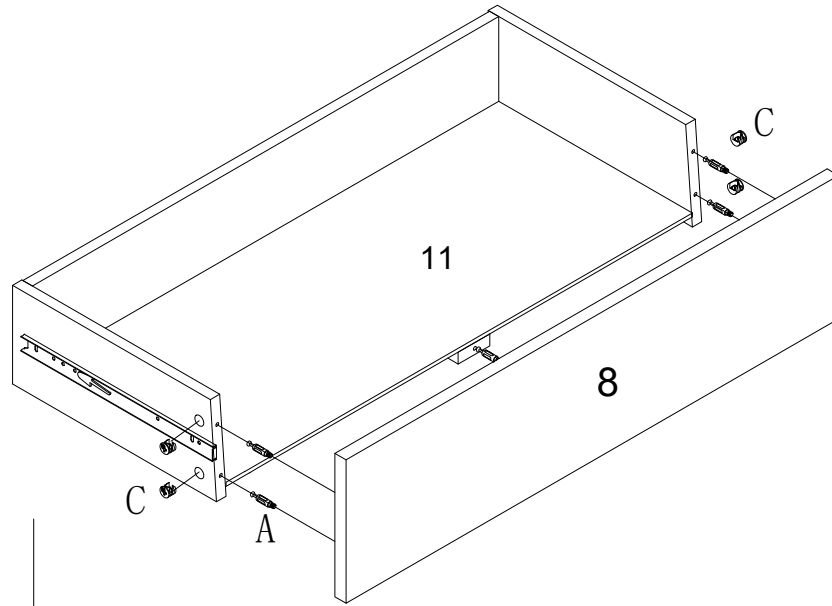
No. E
Quantity: 3 Sets
Drawer Slider
12"



No. J
Quantity: 18 Pcs
Screw
4*30mm



STEP 13

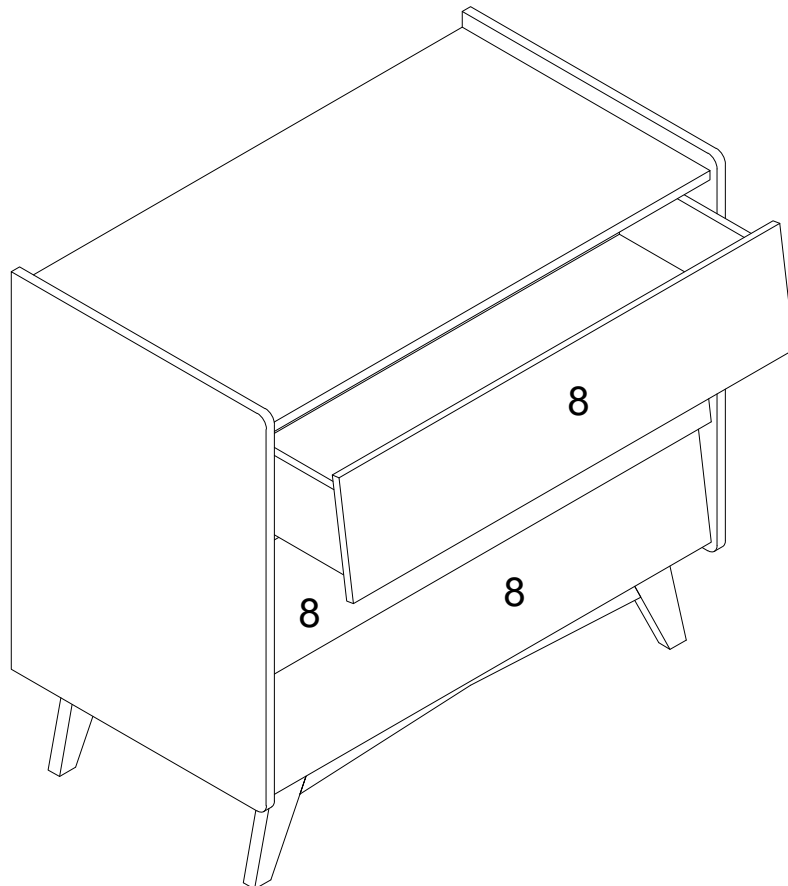


x3

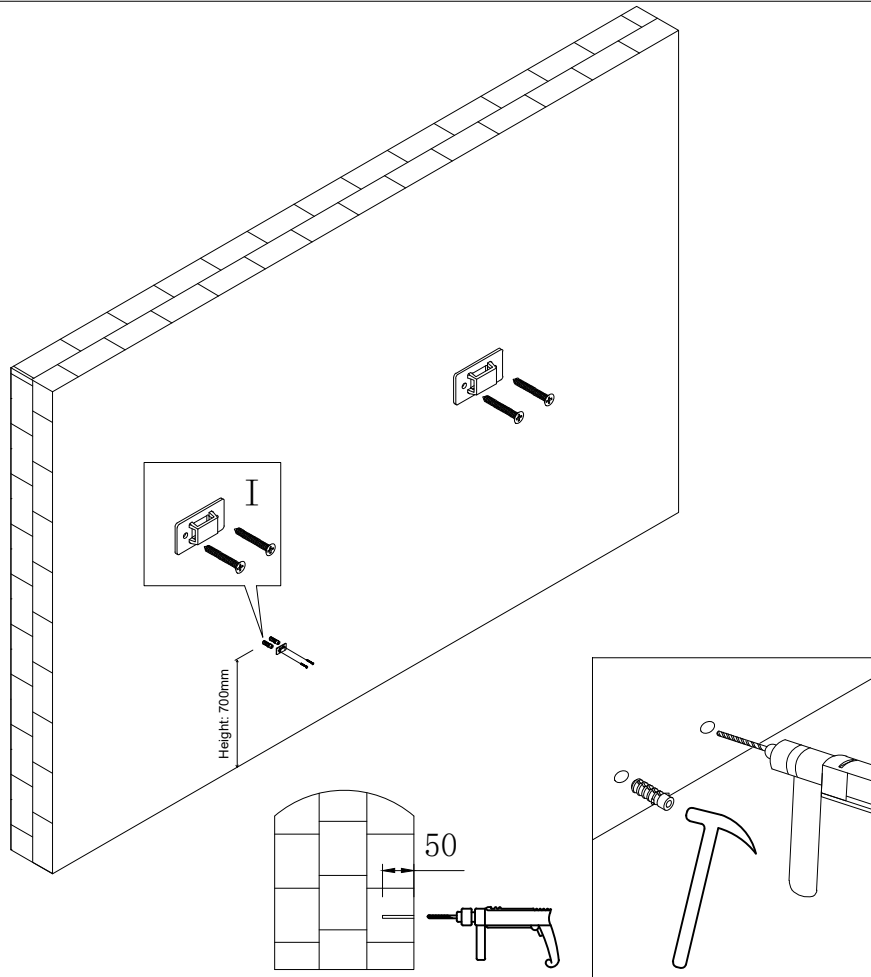
No. C
Quantity: 15 Pcs
Cam Lock



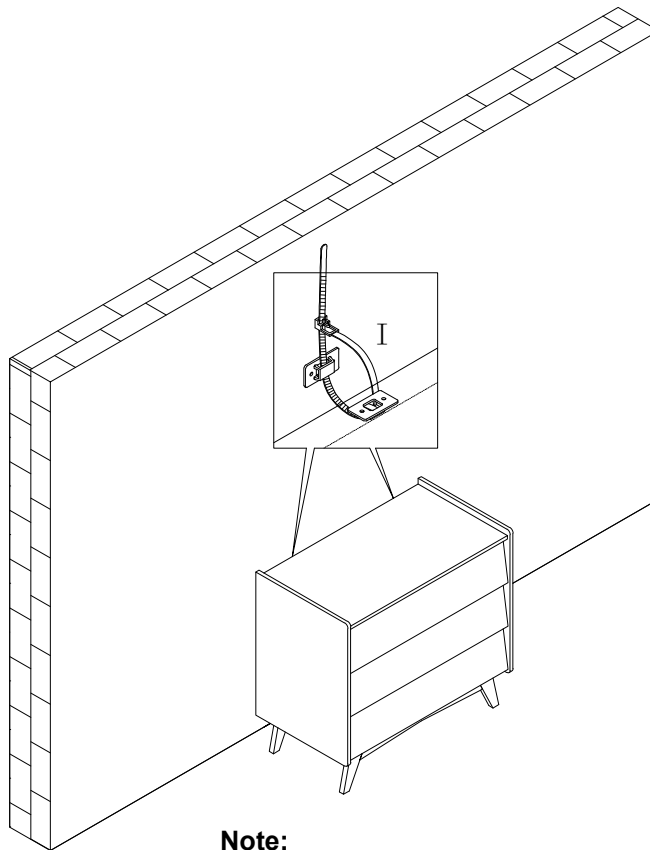
STEP 14



STEP 15



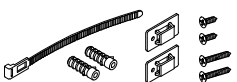
STEP 16



No. I

Quantity: 2 Set

Anti-falling Parts



Note:

Please lift up the furniture by two people when moving is needed. Dragging may cause the legs failure.