




# Design Request Form - Pax Wardrobes

**Customer Info.** Please email this back to [design@urbansales.co.nz](mailto:design@urbansales.co.nz) or you can bring a printed version to our showroom.

<b>Name:</b>	How many people will use this wardrobe?		
<b>Address:</b>		<b>City:</b>	
<b>Email:</b>		<b>Phone:</b>	

**Shape & Frame**

		
<input type="checkbox"/> PAX Wardrobe	<input type="checkbox"/> PAX U Shape	<input type="checkbox"/> PAX Corner

**Services**

Delivery

Assembly Services

**Budget & ETA**

Budget:

When do you need it:





**Space Info.**

**Space Dimension:** Height \_\_\_\_\_ Width \_\_\_\_\_ Depth \_\_\_\_\_ Special Shape: \_\_\_\_\_

**Wall material:**  GIB Board \*All the PAX wardrobes need to be mounted to the wall. Due to the security reason, our assembly services only apply to GIB board walls.

**Ceiling min. height:** \_\_\_\_\_

**Design Preference**

<b>Door Type:</b>	<input type="checkbox"/> With Doors <input type="checkbox"/> Without Doors	<b>Frame Options:</b>
<b>Material:</b>	<input type="checkbox"/> Wood-tone <input type="checkbox"/> Glass / Gloss	
	<input type="checkbox"/> Plain MDF	
		
		
		<input type="checkbox"/> White <input type="checkbox"/> Oak <input type="checkbox"/> Brown <input type="checkbox"/> Black

**Storage Preference**

**Storage Function:**  Drawers  Rails  Hooks  Shelf  Mesh Baskets  Other: \_\_\_\_\_

**Other Function:**  Mirror \*Only mirrored door panel available  Baskets  Small Organisers

**Special Storage:**  Watch  Suit / Tie  Jewellery  Shoes  Bags  Luggage  Hat  Other: \_\_\_\_\_

# Customise design form - Pax Wardrobes

Appendix

Draft

Date: \_\_\_\_ / \_\_\_\_ / \_\_\_\_

Staff: \_\_\_\_\_

**Pre-order Timeframe:**

We receive a new shipment container every week in our Auckland warehouse. It usually takes 5~6 weeks from the pre-order close date for the stock to arrive into our Auckland warehouse. Please kindly refer to the above pre-order schedule for our next container shipment's Estimated Arrival Date (ETA) and Pre-Order Close Date.

**Pre-order Payment:**

When you decide to go ahead with our quote, a full payment is required for the order. Please make sure your orders are paid before the pre-order close date so that your order will be included in our next purchase order cycle.

# Customise design form - Pax Wardrobes

Appendix - Frame Options Sizes & Colors

## Frame Sizes:

### 236cm Height (cm)

PAX 50 x 58 x 236

PAX 75 x 58 x 236

PAX 100 x 58 x 236

PAX 50 x 35 x 236

PAX 75 x 35 x 236

PAX 100 x 35 x 236

### 201cm Height (cm)

PAX 50 x 35 x 201

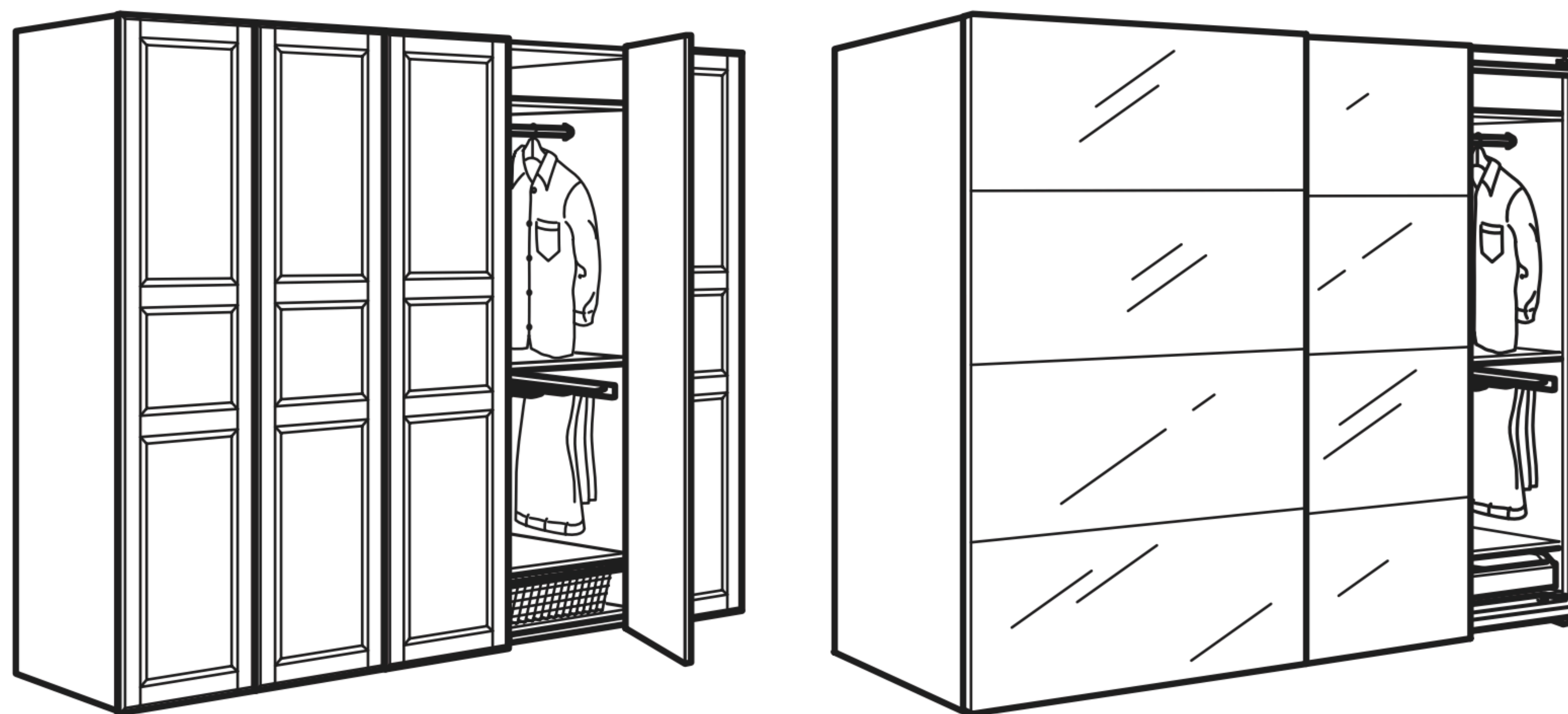
PAX 75 x 35 x 201

PAX 100 x 35 x 201

PAX 50 x 58 x 201

PAX 75 x 58 x 201

PAX 100 x 58 x 201

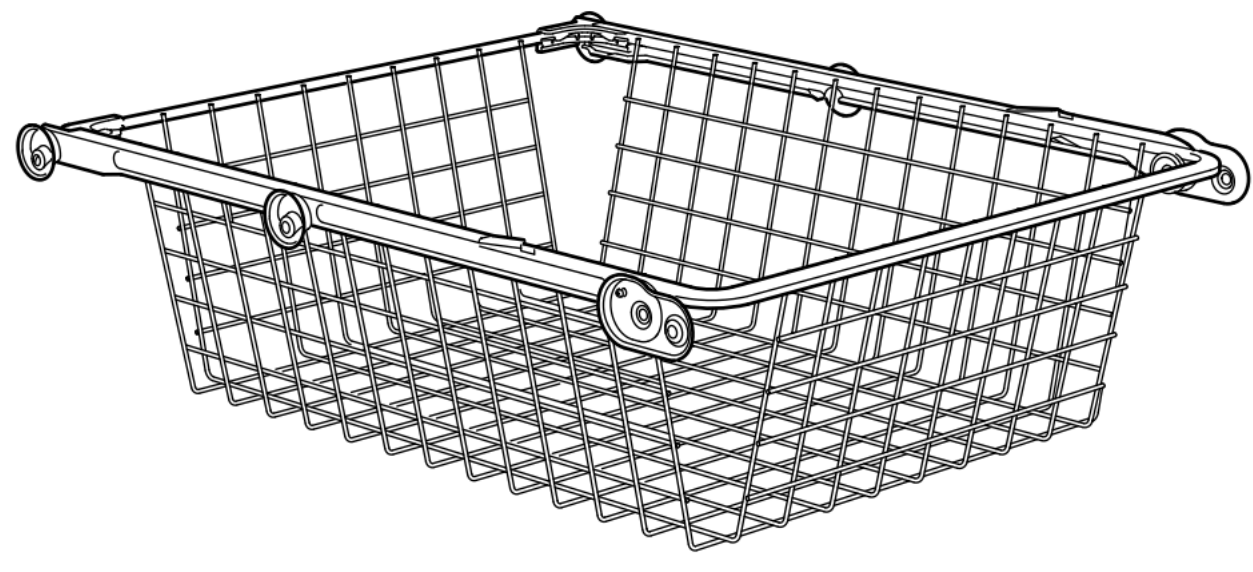


## Frame Colors

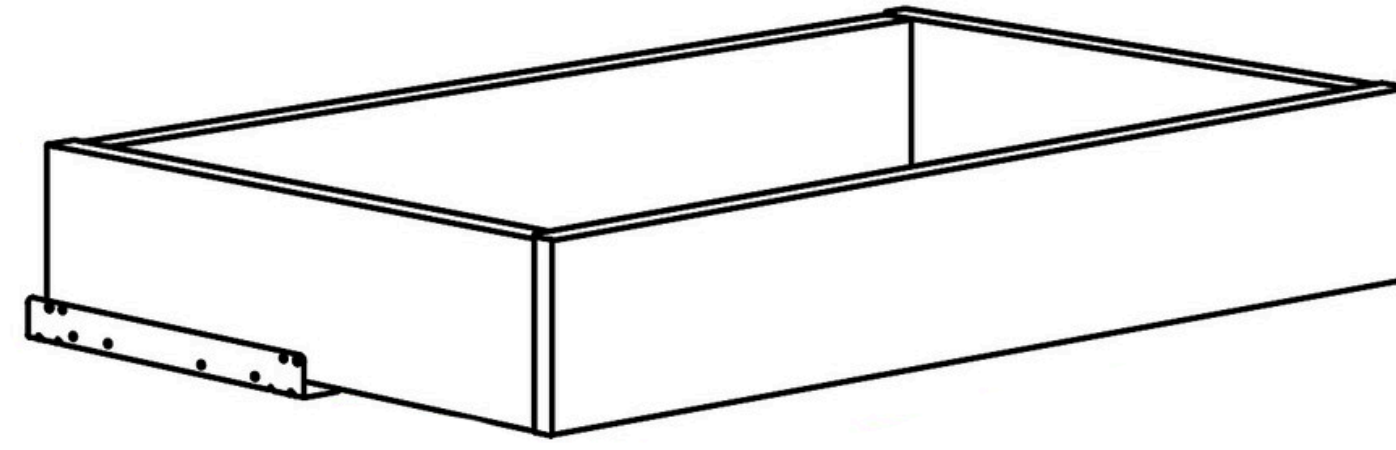


# Customise design form - Pax Wardrobes

Appendix - Parts Interior Organisers All the products (shown here) may not be available. Please contact the staff for further information. All units require assembly.



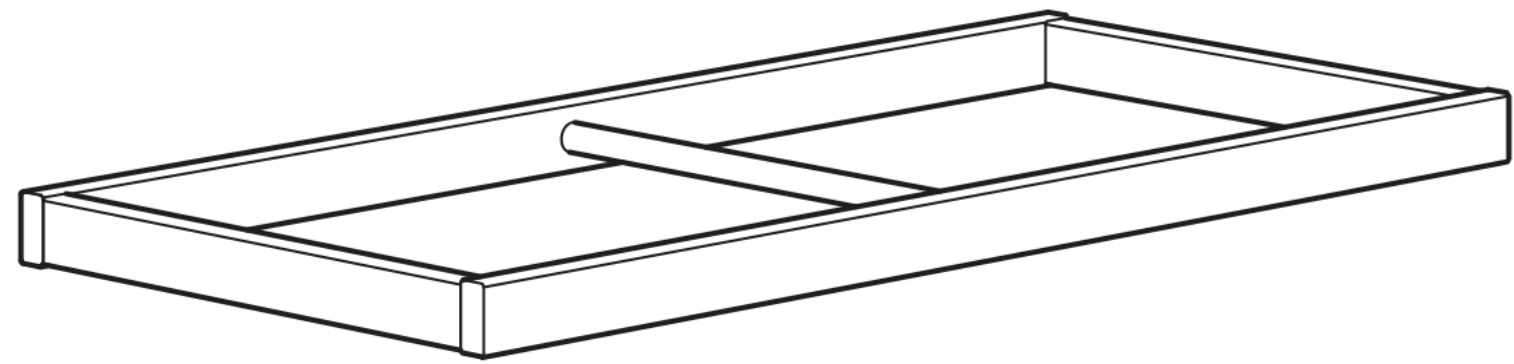
Mesh Baskets



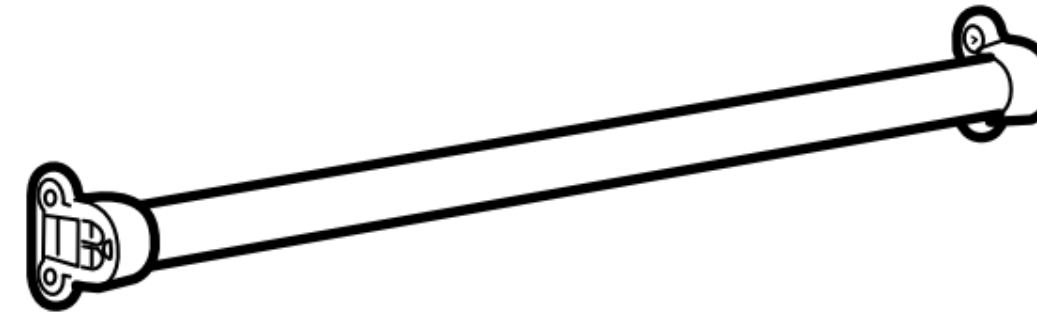
Pull-out Drawers



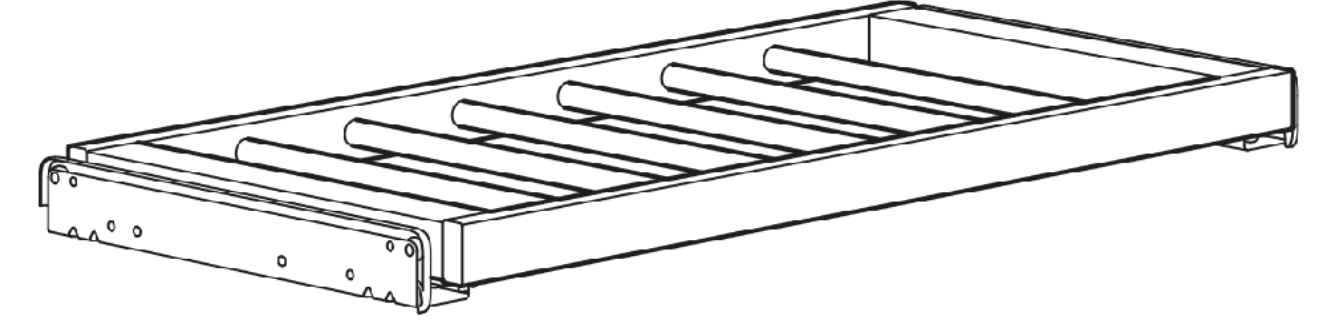
Glass Front Panel Drawers



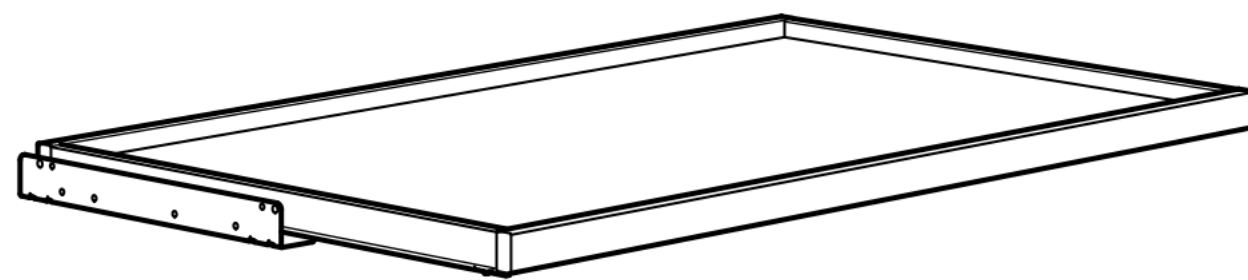
Clothes Rail with Frame



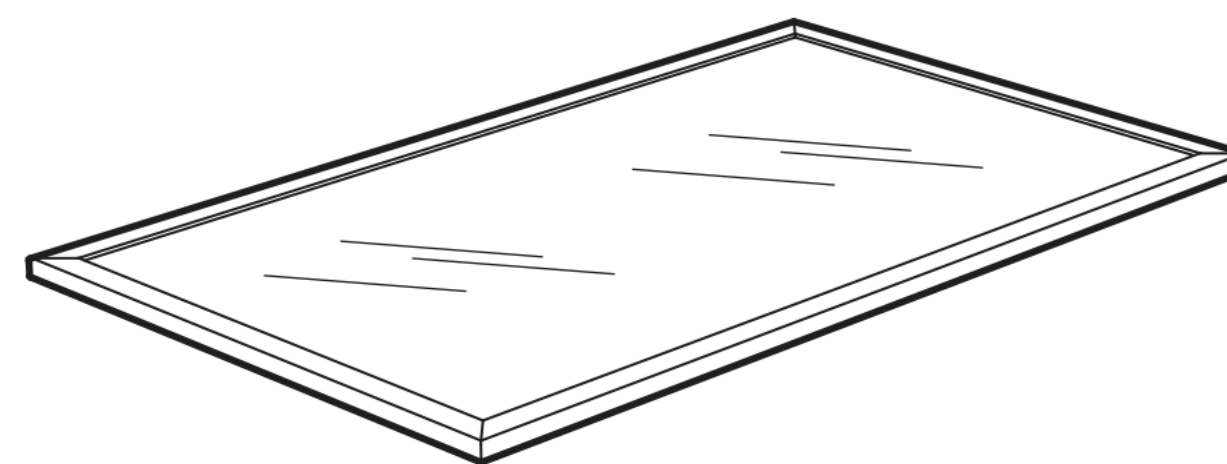
Clothes Rails



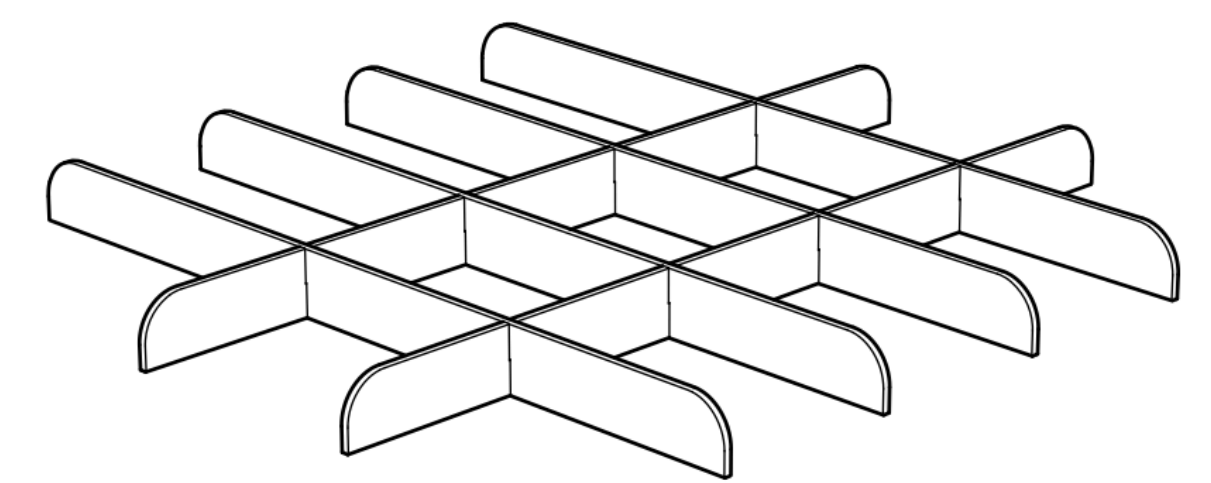
Pull-out Trouser Hangers



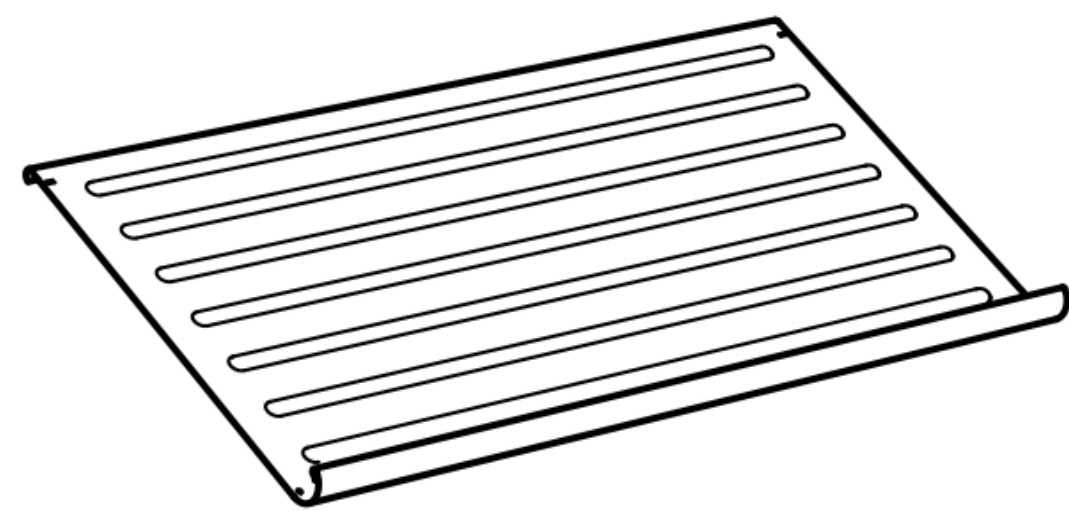
Glass Shelves



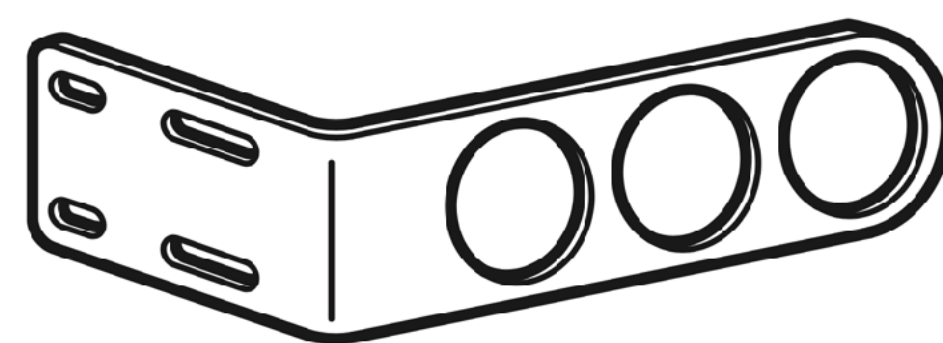
Clothes Rails



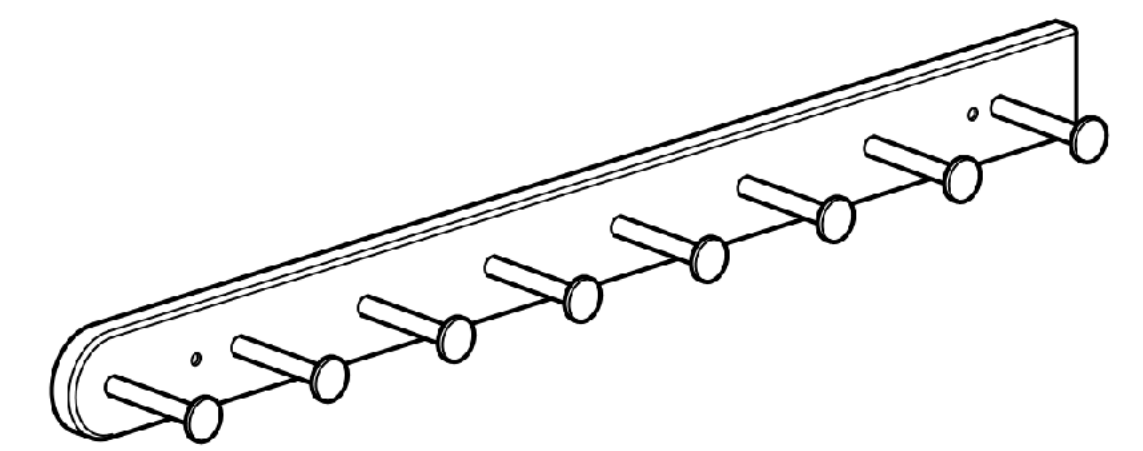
Pull-out Trouser Hangers



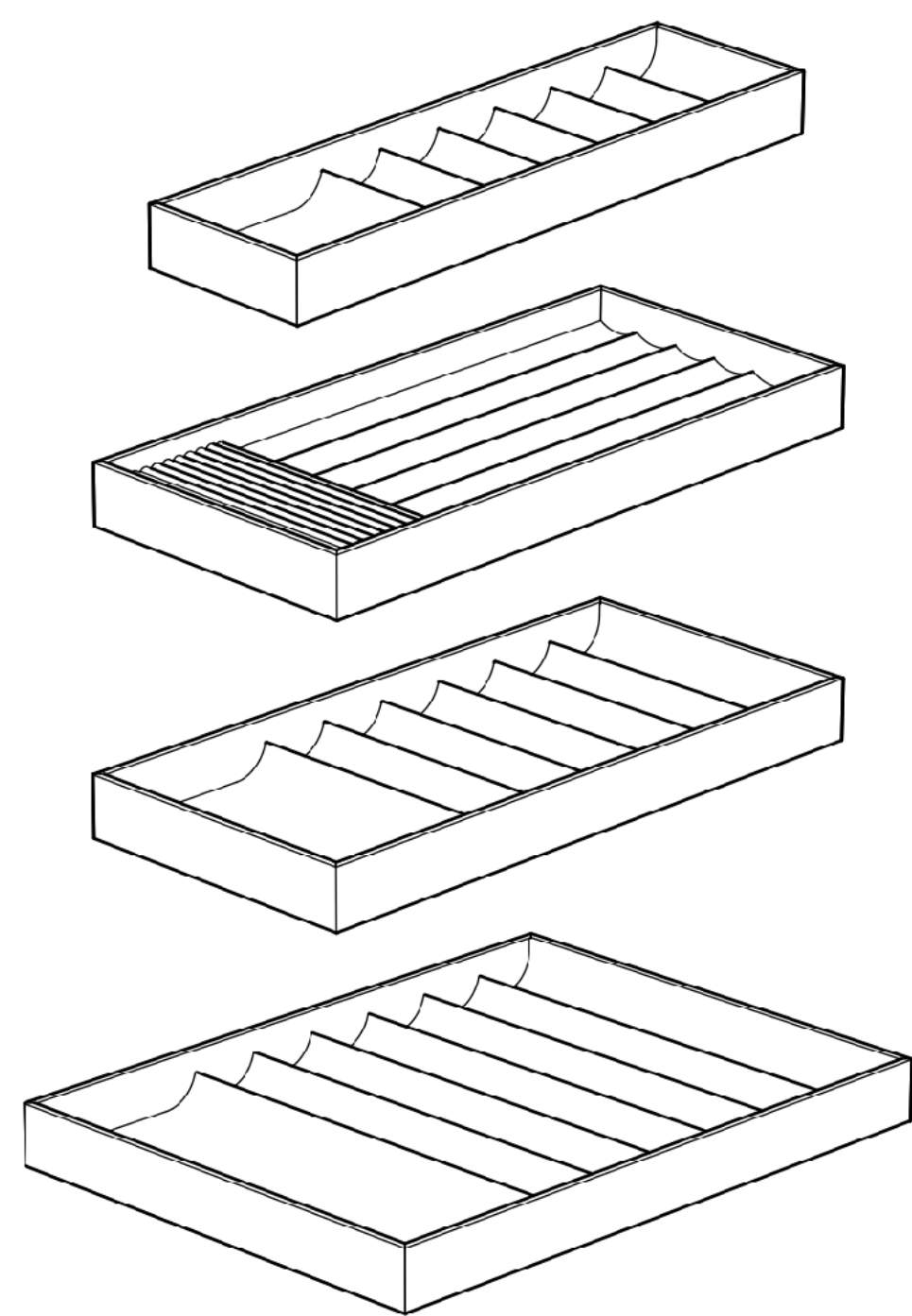
Clothes Rail with Frames



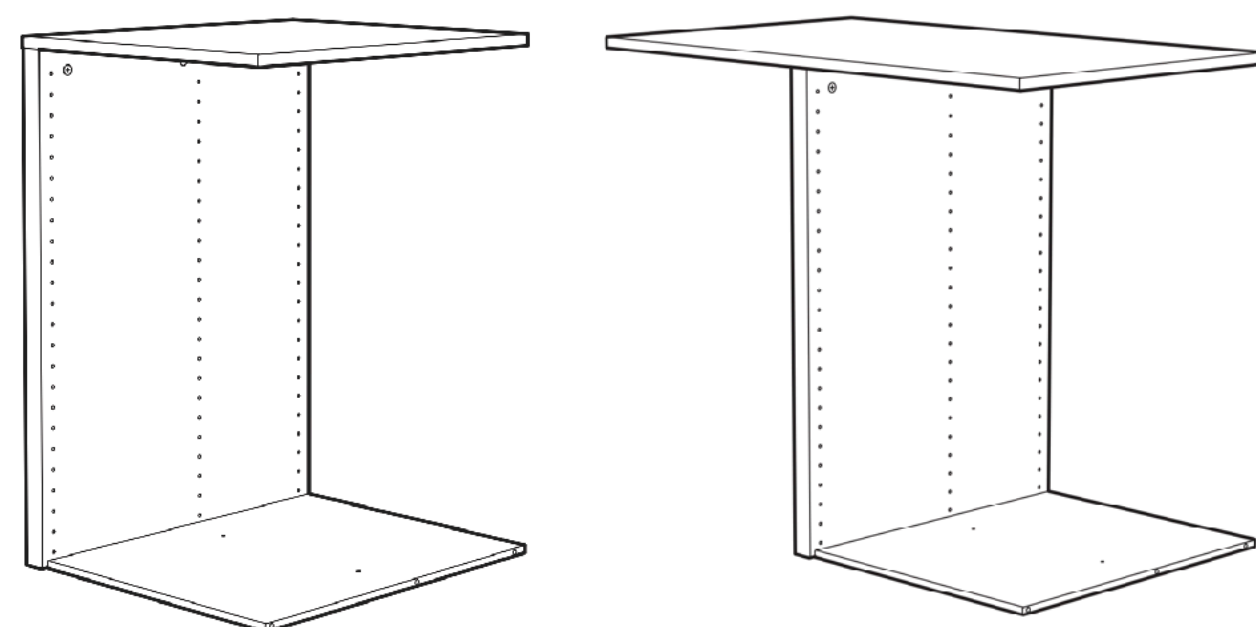
Valet Hanger



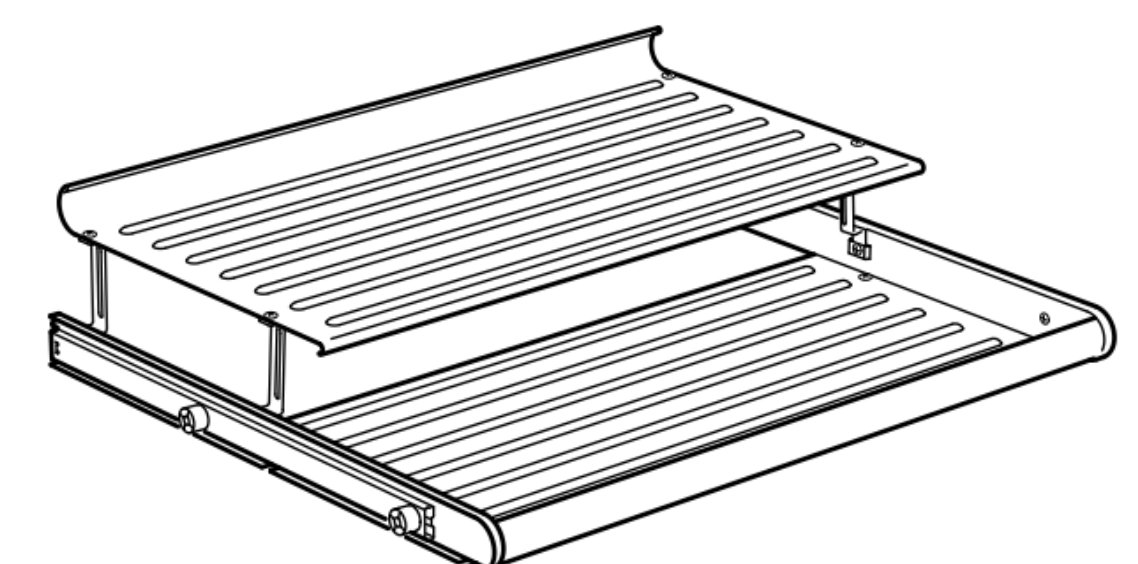
Pull-out Multi-use Hangers



Pull-out Tray with Inserts



Divider for Frames



Pull-out Shoe Shelf