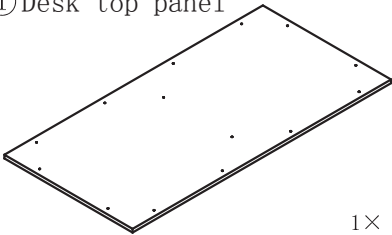
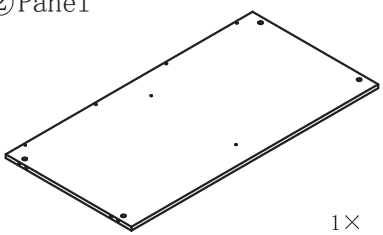
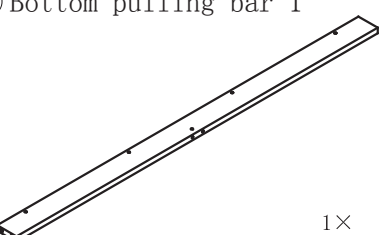
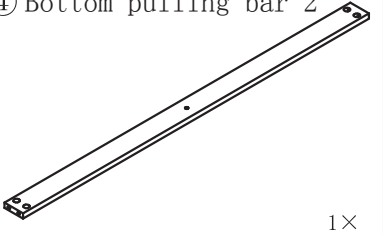
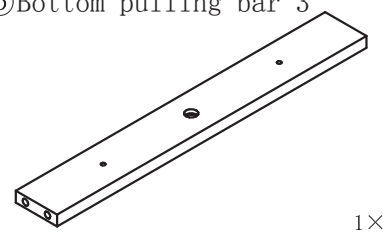
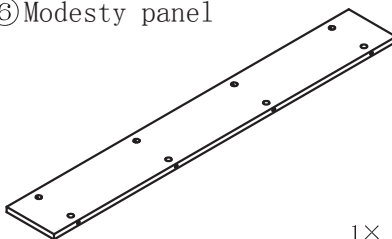
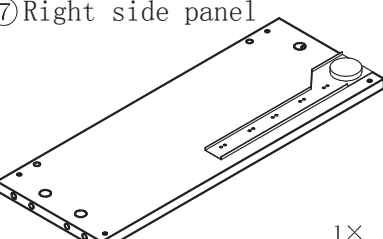
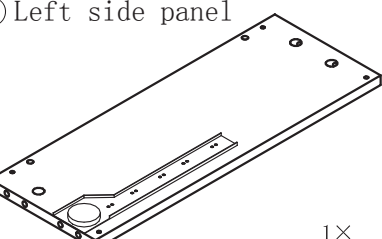
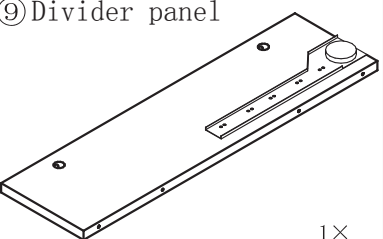
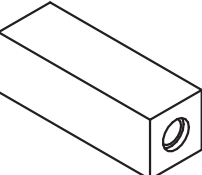
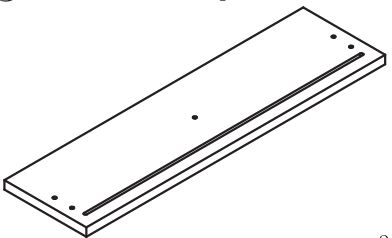
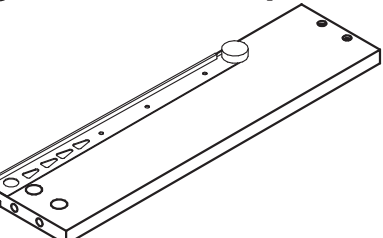
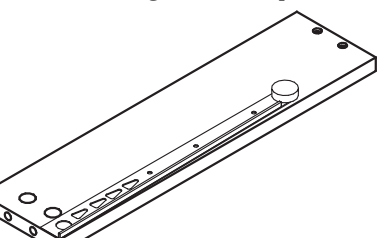
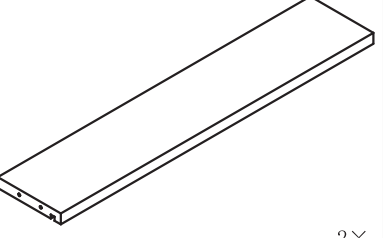
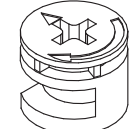
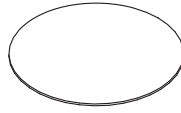
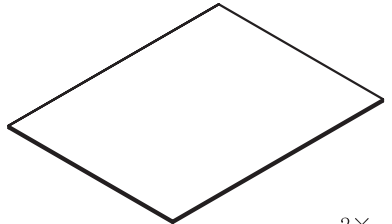
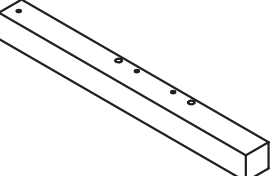
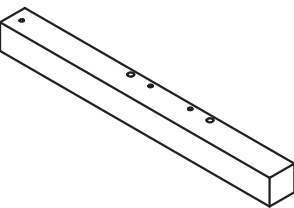
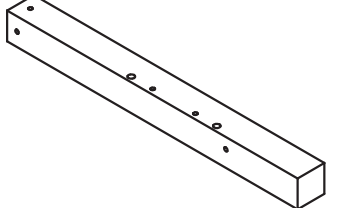
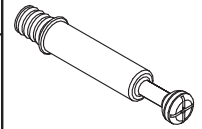
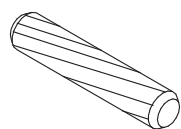
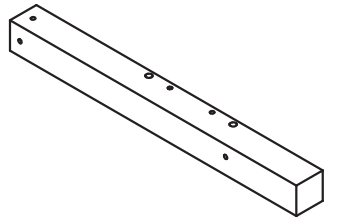
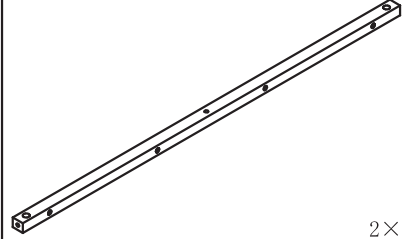
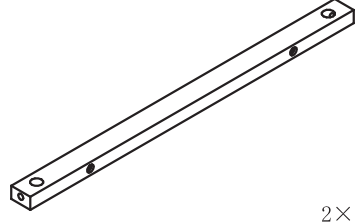
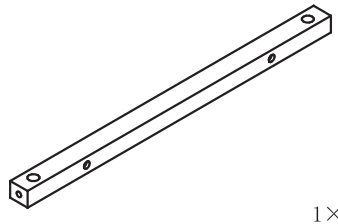

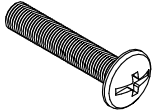
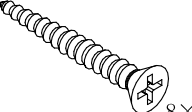
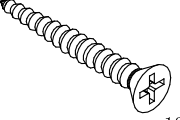
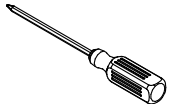

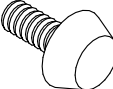
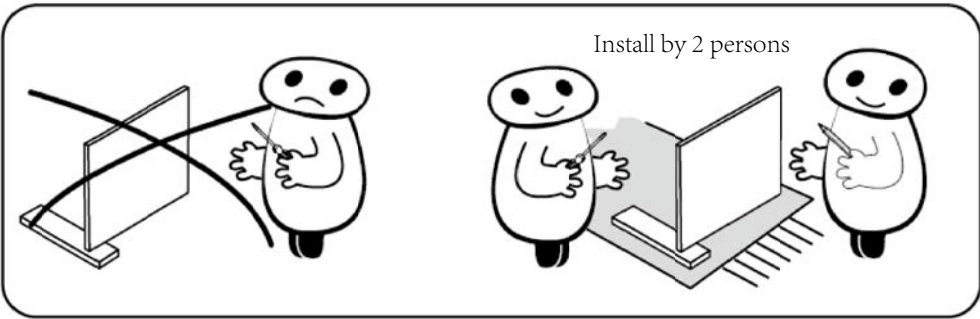


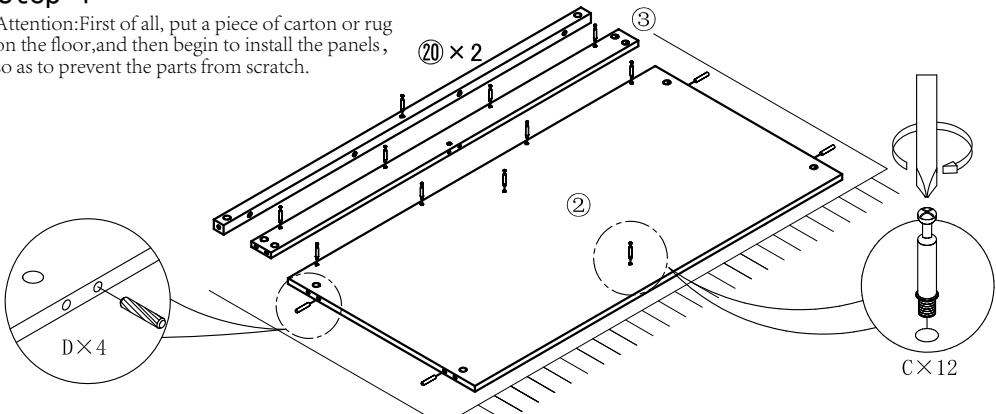
| | | | | | |
|---|---|--|---|--|--|
| ① Desk top panel  1× | ② Panel  1× | ③ Bottom pulling bar 1  1× | ④ Bottom pulling bar 2  1× | ⑤ Bottom pulling bar 3  1× | |
| ⑥ Modesty panel  1× | ⑦ Right side panel  1× | ⑧ Left side panel  1× | ⑨ Divider panel  1× | ⑩ Solid wood leg  1× | |
| ⑪ Drawer front panel  2× | ⑫ Drawer left side panel  2× | ⑬ Drawer right side panel  2× | ⑭ Drawer back panel  2× | A. Cam lock  48× | B. Cam cover  48× |
| ⑮ Drawer bottom panel  2× | ⑯ Left rear solid wood leg  1× | ⑰ Left front solid wood leg  1× | ⑱ Right rear solid wood leg  1× | C. Cam pin  48× | D. Dowel  16× |
| ⑲ Right front solid wood leg  1× | ⑳ Solid wood pulling bar 1  2× | ㉑ Solid wood pulling bar 2  2× | ㉒ Solid wood rail  1× | | |
| | | | | Model | PS601-1206 |
| | | | | Name | End table |
| | | | | Size | 1210W*600D*450H |

| | | | | | | |
|--|--|---|---|---|--|---|
| <p>E.Handle</p>  <p>2×</p> | <p>F.Handle nails</p>  <p>2×</p> | <p>G.Long pitch self-tapping screw(black)</p>  <p>8×</p> | <p>H.Fiber nail (color)</p>  <p>18×</p> | <p>I. Telescopic screwdriver</p>  <p>1×</p> | <p>M. Large flat M8x35</p>  <p>1×</p> | <p>N. Adjustable leveling glides</p>  <p>1×</p> |
|--|--|---|---|---|--|---|

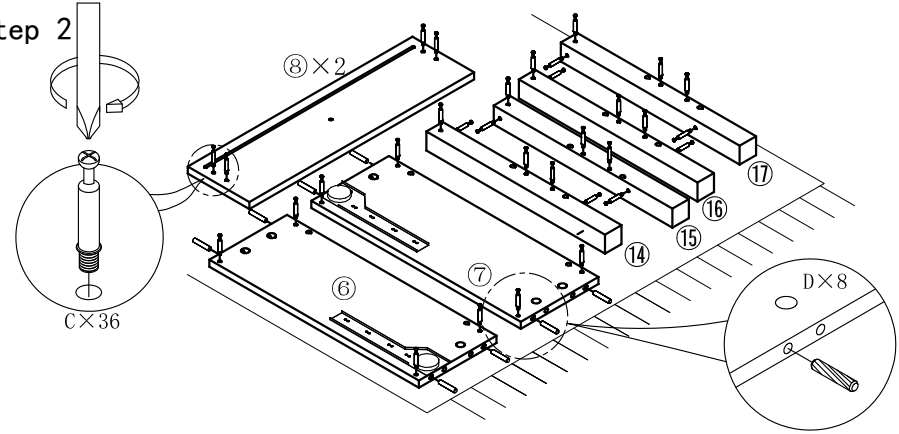


Step 1

Attention: First of all, put a piece of carton or rug on the floor, and then begin to install the panels, so as to prevent the parts from scratch.

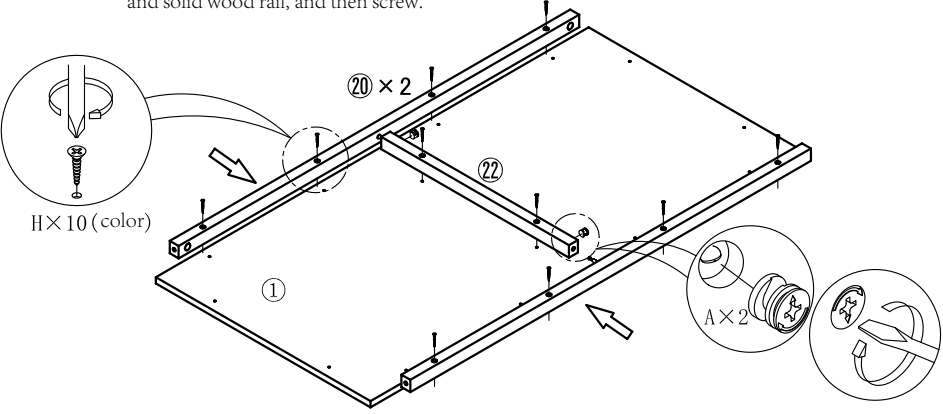


Step 2

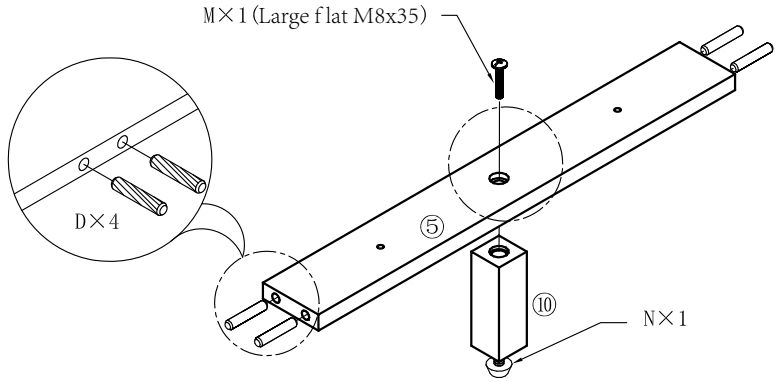


Step 3

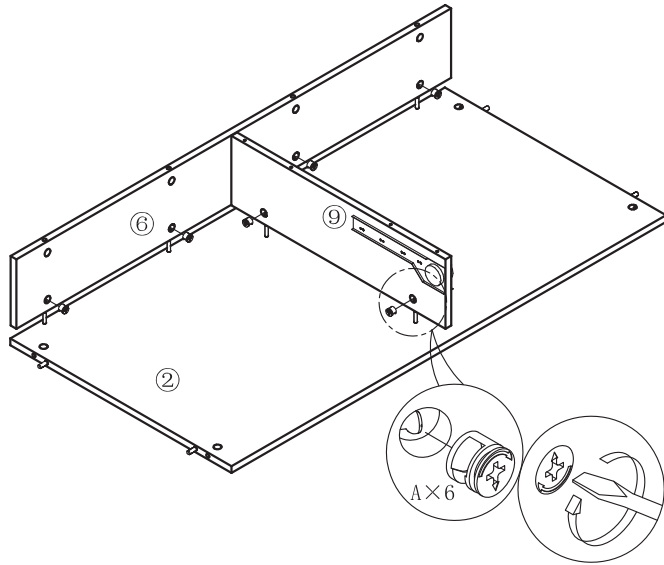
Note: First tighten the solid wood pulling bar 1 and solid wood rail, and then screw.



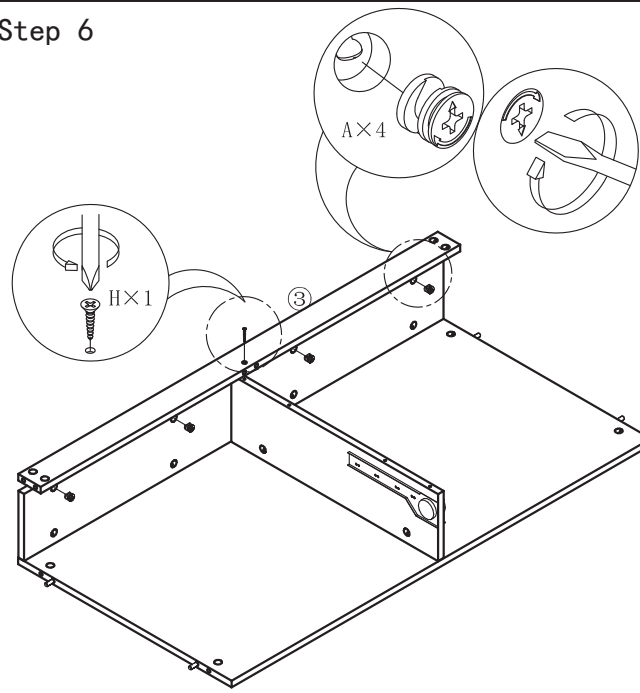
Step 4



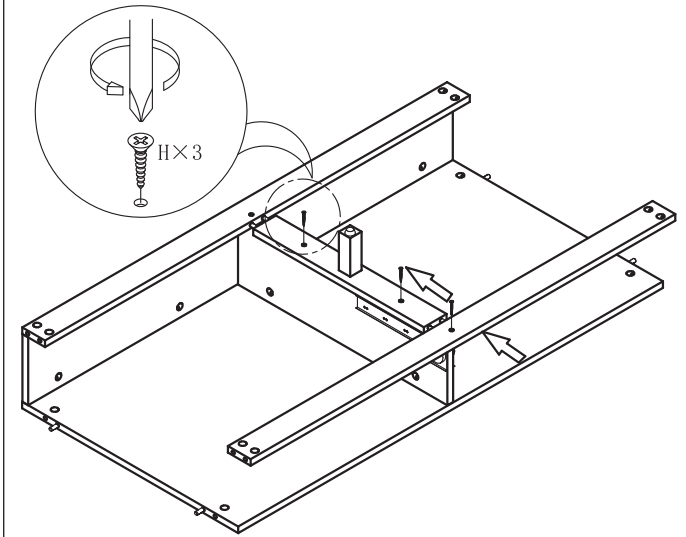
Step 5



Step 6

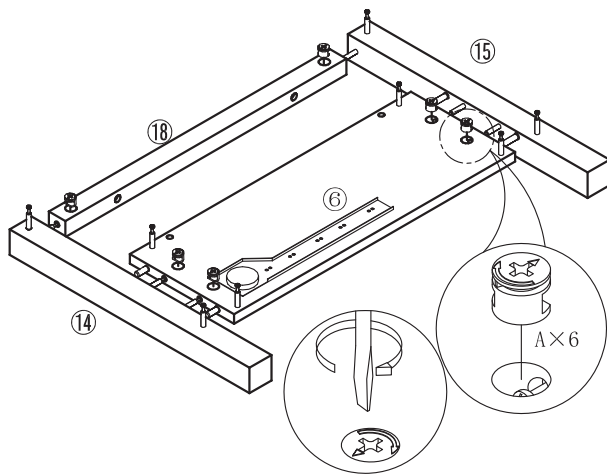


Step 7



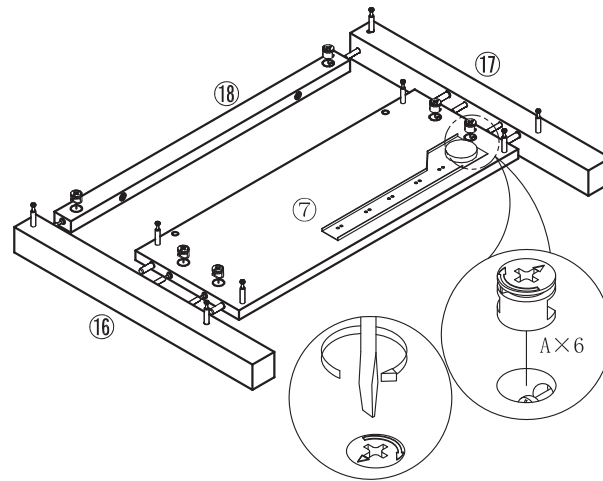
Step 8

Note: The left part

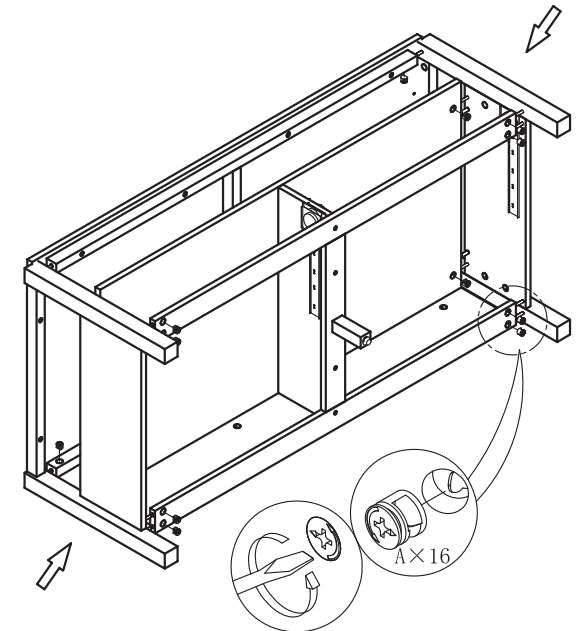


Step 9

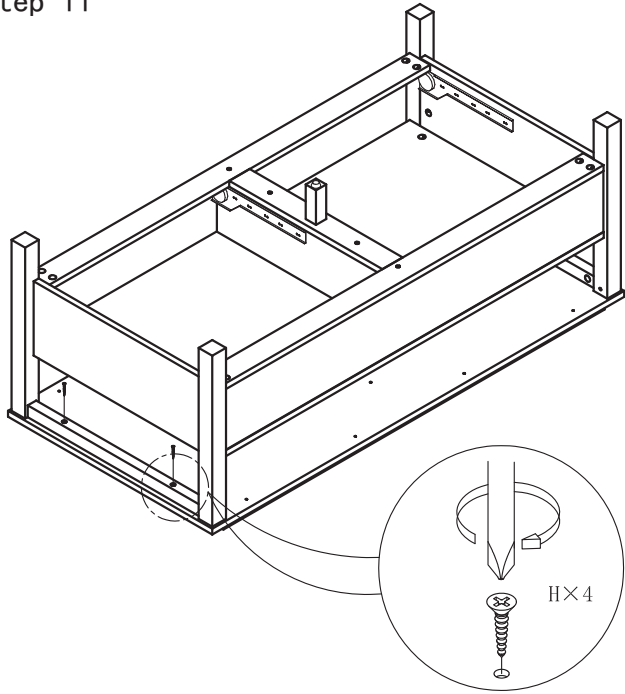
Note: The right part



Step 10

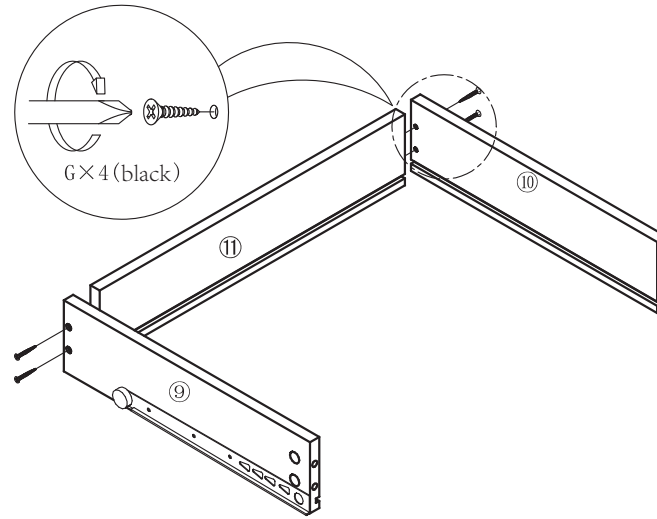


Step 11

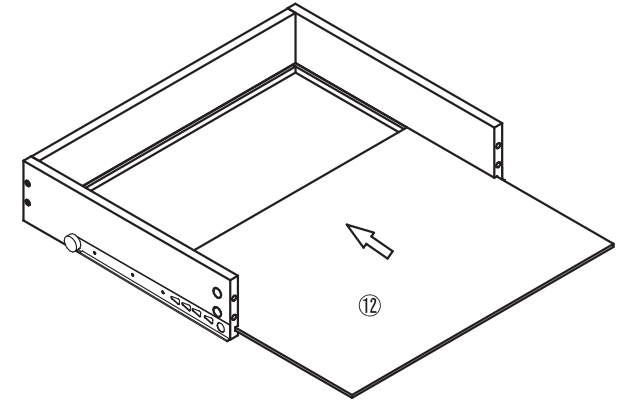


Step 12

Note: There are two parts in this drawer, the installation diagram is as follows.

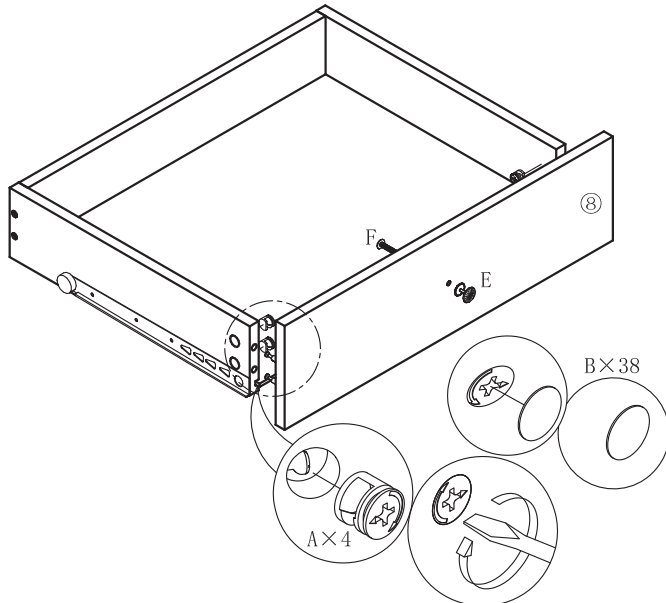


Step 13

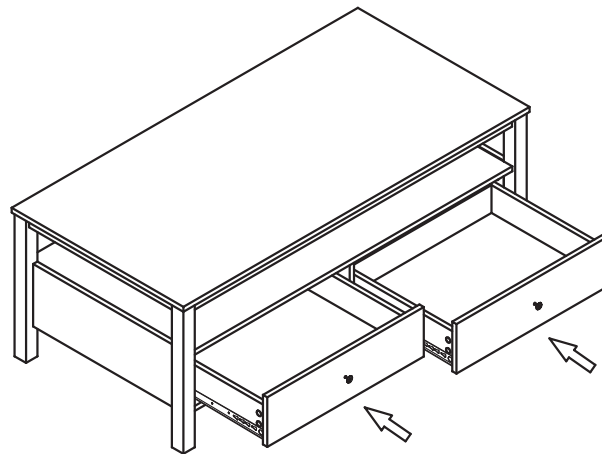


Step 14

Note: After installing all the blocking latches, put on the cover sticker.



Step 15



Step 16

