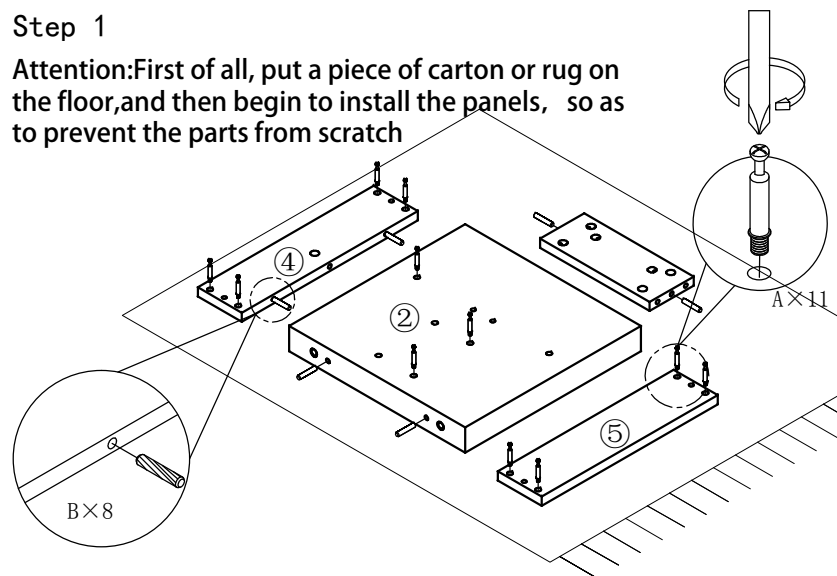
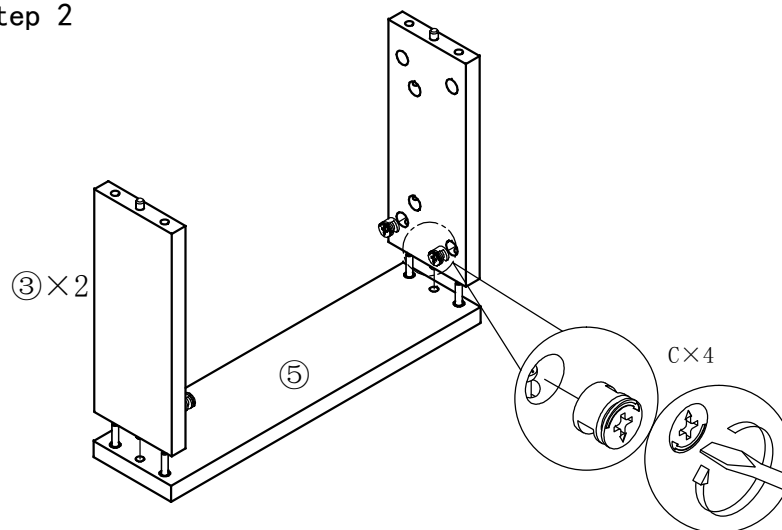


Step 1

Attention: First of all, put a piece of carton or rug on the floor, and then begin to install the panels, so as to prevent the parts from scratch

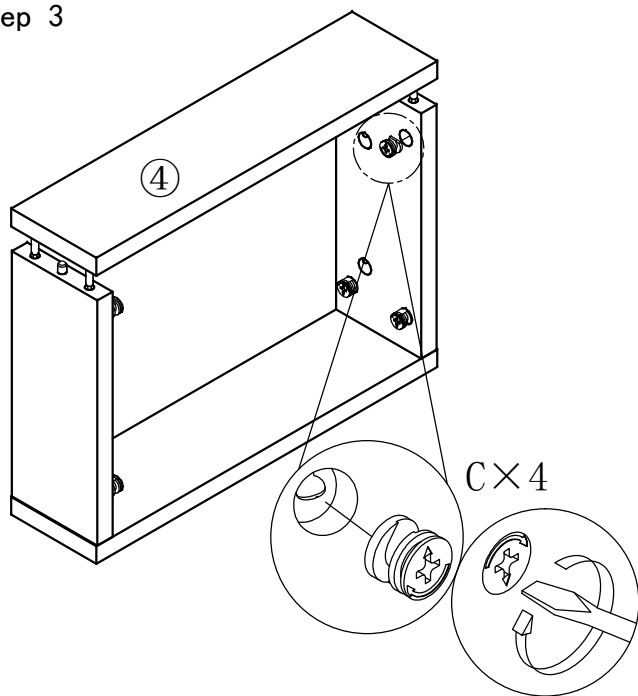


Step 2



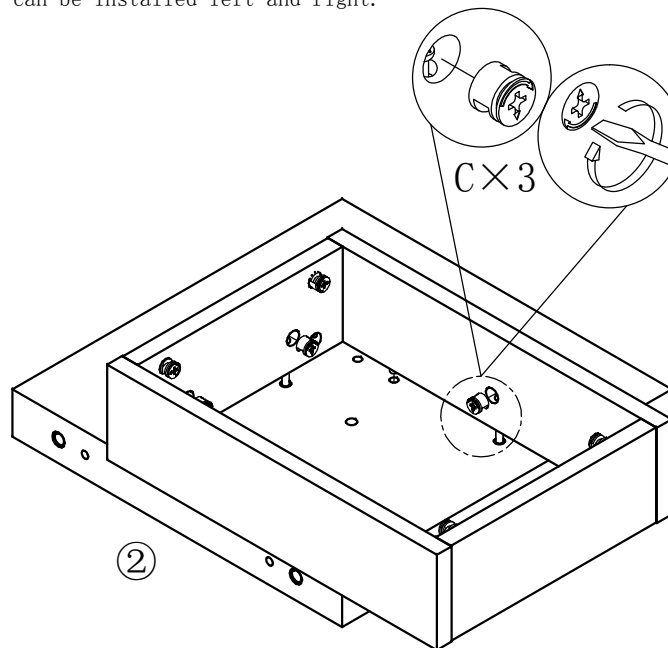
Model	GF095-CP0407
Name	Side nightstand
Size	400W*450D*705H

Step 3

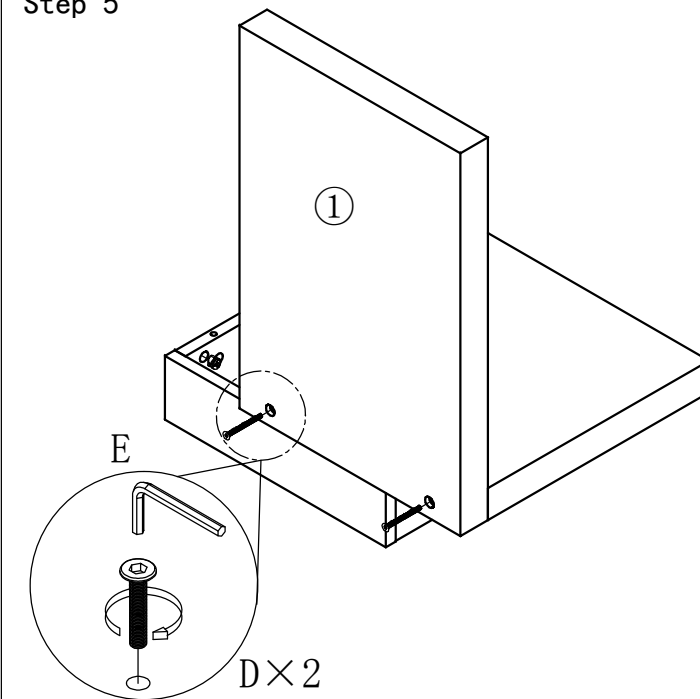


Step 4

Note: The bottom frame and bed board connection can be installed left and right.

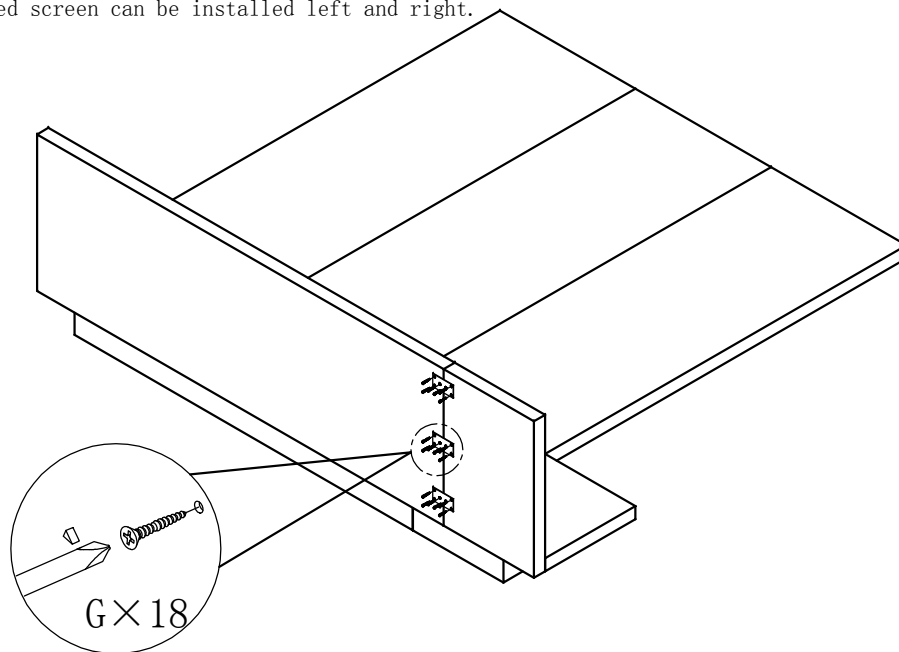


Step 5



Step 6

Note: The side bed screen and bed connection steps are as follows, the side bed screen can be installed left and right.



Step 7

